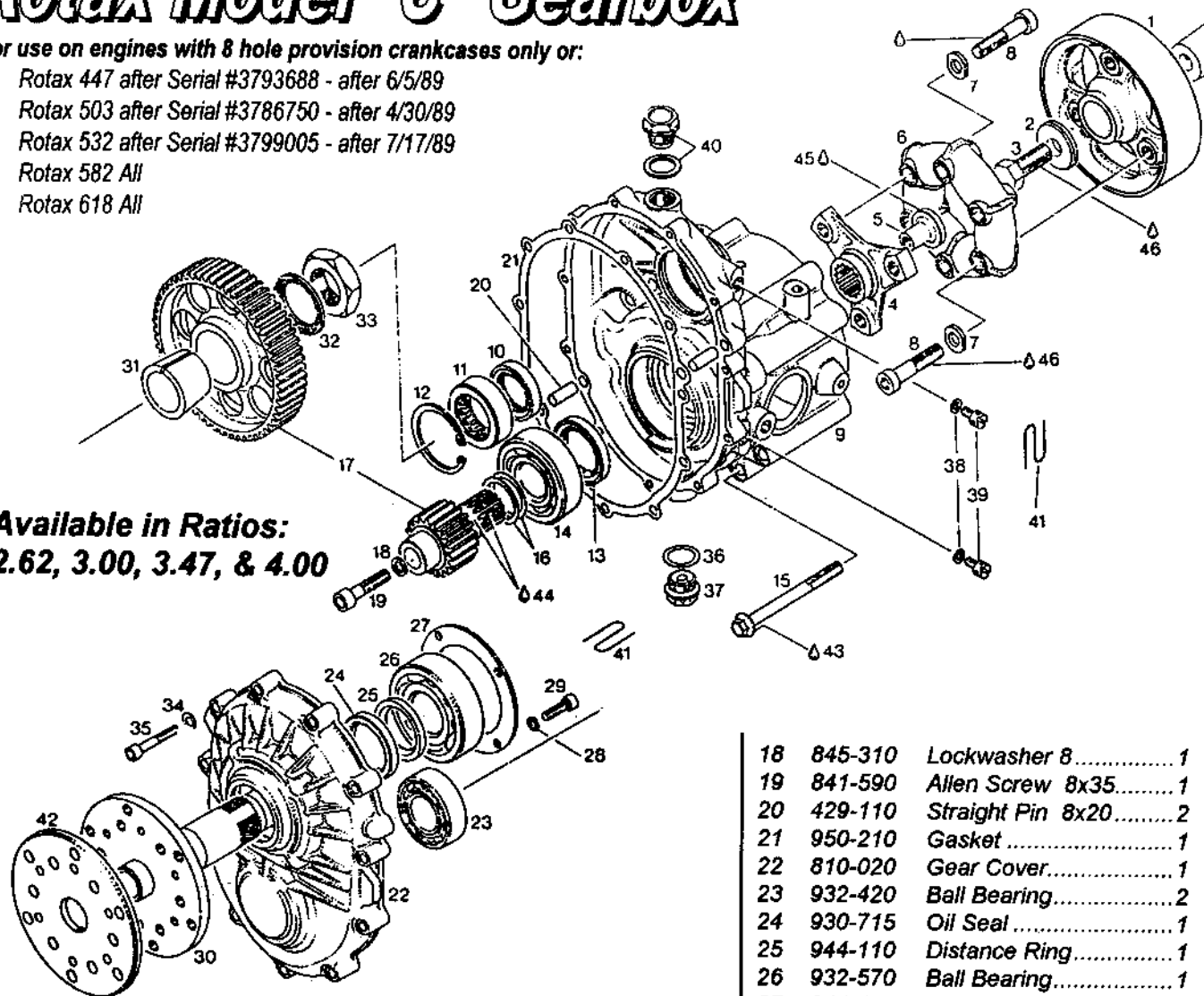


Rotax Model "C" Gearbox

For use on engines with 8 hole provision crankcases only or:

- Rotax 447 after Serial #3793688 - after 6/5/89
- Rotax 503 after Serial #3786750 - after 4/30/89
- Rotax 532 after Serial #3799005 - after 7/17/89
- Rotax 582 All
- Rotax 618 All

Available in Ratios:
2.62, 3.00, 3.47, & 4.00



All CPS Gear Boxes Include:

- All Mounting Hardware
- Seals & Gaskets
- Dual Prop Plate Bolt Pattern
- (75mm X 8mm Or 75mm X 1/4-18)
- Reversible Direction (Up Or Down Drive)
- Quart SAE 90wt Oil
- Complete Installation Instructions

Ref. Part #	Description	Qty.
1	958-980 Flywheel.....	1
2	827-785 Washer.....	1
3	841-651 Screw 1/2-20nf.....	1
4	958-970 Coupling Flange.....	1
5	842-660 Nut 8mm.....	1
6	958-960 Hardy Disk.....	1
7	944-120 Washer.....	6
8	841-820 Allen Screw 10 X 45.....	6
9	810-010 Gear Box Housing.....	1
10	930-675 Oil Seal.....	1
11	232-285 Bearing.....	1
12	945-690 Retaining Ring.....	1
13	950-080 Oil Seal.....	1
14	932-820 Ball Bearing.....	1
15	440-366 Screw 8 X 90.....	8
16	427-021 Shim.....	Req.
17	886-210 Gear Set 2.62.....	1
	886-212 Gear Set 3.00.....	1
	886-214 Gear Set 3.47.....	1
	886-216 Gear Set 4.00.....	1
18	845-310 Lockwasher 8.....	1
19	841-590 Allen Screw 8x35.....	1
20	429-110 Straight Pin 8x20.....	2
21	950-210 Gasket.....	1
22	810-020 Gear Cover.....	1
23	932-420 Ball Bearing.....	2
24	930-715 Oil Seal.....	1
25	944-110 Distance Ring.....	1
26	932-570 Ball Bearing.....	1
27	944-100 Retaining Plate.....	1
28	445-330 Lockwasher 6.....	4
29	241-930 Allen Screw 6 X 20.....	4
30	837-180 Prop Shaft.....	1
31	847-750 Cone Sleeve.....	1
32	845-430 Friction Washer.....	1
33	842-575 Hex Nut 30 X 1.5.....	1
34	945-571 Lockwasher 6.....	2
35	241-811 Allen Screw 6 X 35.....	2
36	552-280 Gasket Ring.....	1
37	840-270 Magnetic Plug.....	1
38	830-890 Gasket Ring.....	2
39	841-781 Screw 6 X 10.....	2
40	941-110 Air Vent Screw.....	1
41	6125 Safety Wire.....	Req.
42	944-140 Cover Washer.....	1
43	Lithium Grease.....	Req.
44	9423 Anti-Seize 12oz.....	1
45	13011 Loctite.....	Req.
46	13009 Loctite.....	Req.

source: pg134c.doc