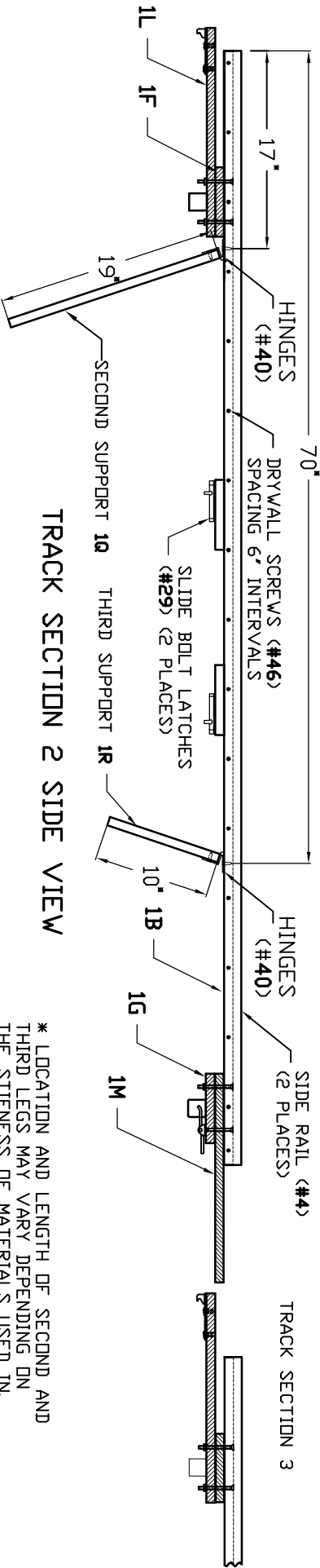


END VIEW



TRACK SECTION 2 SIDE VIEW

\* LOCATION AND LENGTH OF SECOND AND THIRD LEGS MAY VARY DEPENDING ON THE STIFFNESS OF MATERIALS USED IN EACH SECTION OF TRACK.

TRACK SECTION 2

UPDATED 18 JAN 2000  
LARRY BOSWORTH