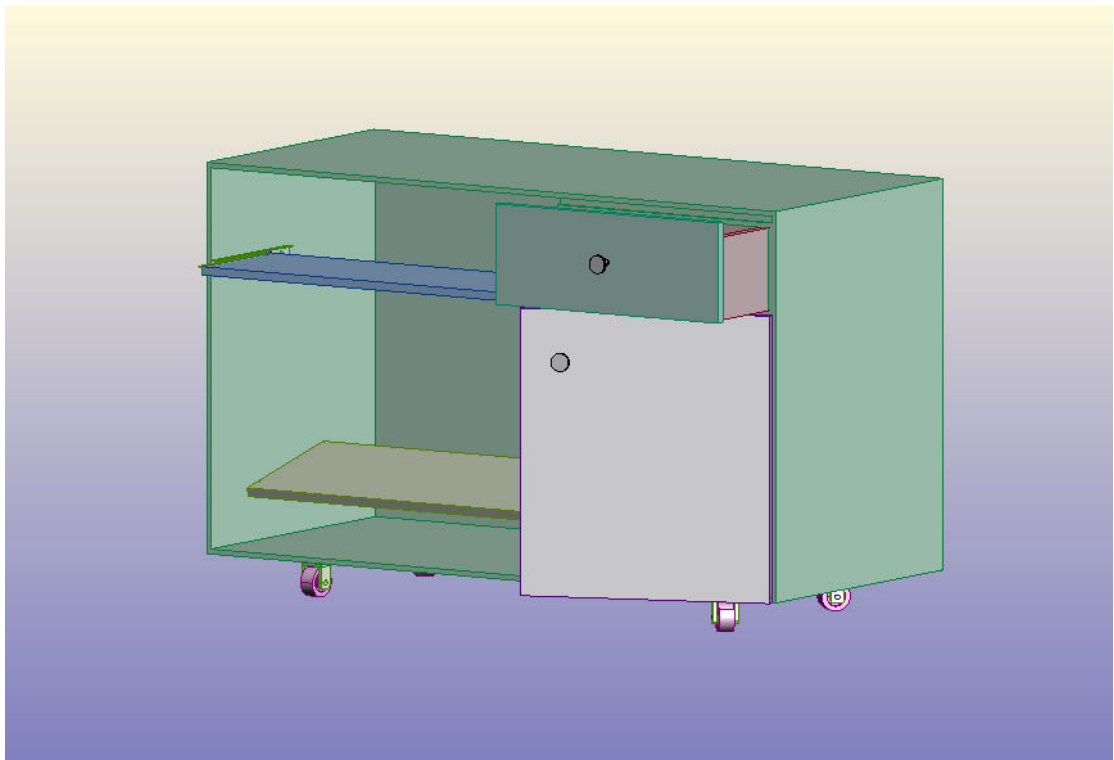


Front view of table



Wheel, keyboard slider, drawer and door movements