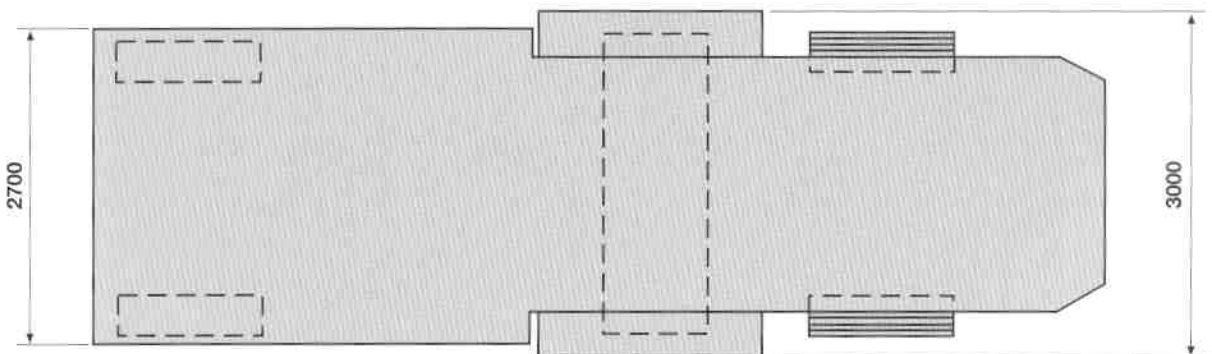
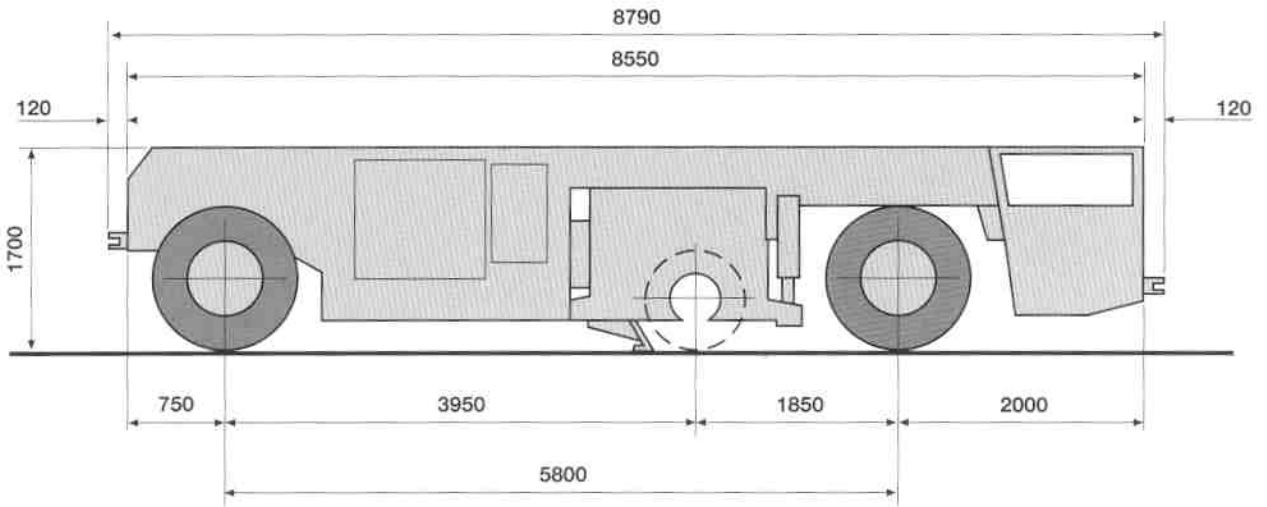


Wirtgen Dinting Machine 2600 – Dimensions

Dimensions in mm



Wirtgen Dinting Machine 2600 – Technical data

		Dinting Machine 2600	
Cutting width max.	mm	2,600	
Cutting depth *1	mm	0 – 200	
Cutting drum			
Spacing	mm	15	
Number of tools	mm	855	
Drum diameter with tools		212	
Drum inclination, max.	°	5	
Engine			
Manufacturer		Deutz	
Type		BF 12 L 413 FW	
Cooling		Air	
No. of cylinders		12	
Output	kW/HP/PS	240/321/326	
Engine speed	min ⁻¹	2,300	
Displacement	cm ³	19,144	
Fuel consumption: 1/3 load	l/h	71.2	
Fuel consumption: 2/3 load	l/h	51.7	
Speed/gradeability			
Working gear (1 st gear)	m/min	0 – 36	
Travel gear (2 nd gear)	km/h	0 – 20	
Theor. gradeability (1 st gear)	%	35	
Theor. gradeability (2 nd gear)	%	12	
Weights/loads*2			
Front axle load	daN (kg)	15,000	
Rear axle load	daN (kg)	13,000	
Own weight	daN (kg)	28,000	
Operating weight, full tanks	daN (kg)	29,000	
Tyres			
Tyre size, front	mm	Ø 1,200	
Tyre size, rear	mm	Ø 1,200	
Tank capacities			
Fuel tank	l	1,000	
Hydraulic fluid tank	l	435	
Elektrical system	V	24	
Shipping dimensions			
Machine (LxWxH)	mm	8,790 x 3,000 x 1,700	

*1 = The maximum milling depth may deviate from the value indicated, due to tolerances and wear.

*2 = All weights refer to basic machine without any additional equipment.