

Multiview Assignments and Dimensioning Assignments

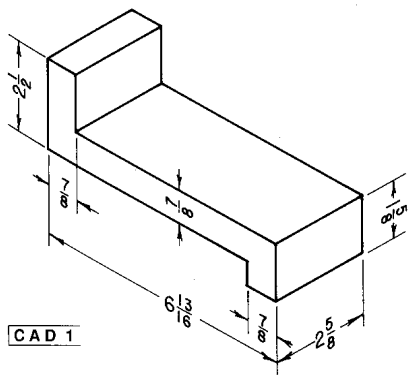


FIG. 5-58 Stop.

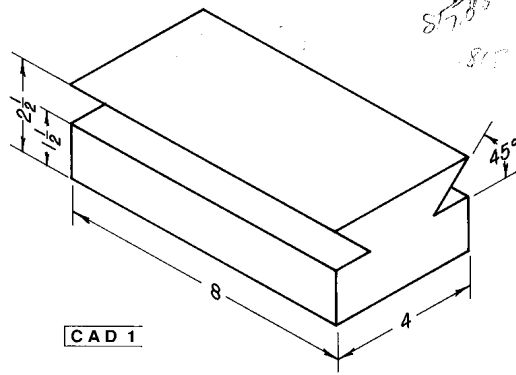


FIG. 5-59 Dovetail slide.

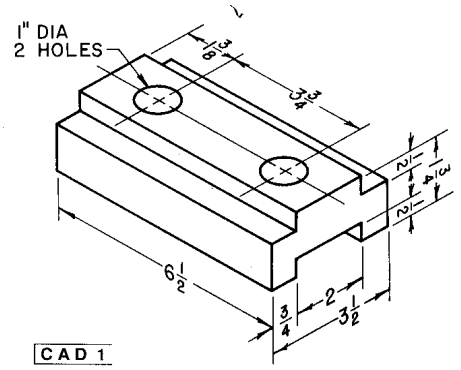


FIG. 5-60 Slide.

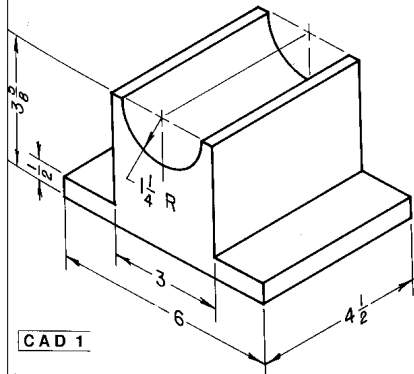


FIG. 5-61 Cradle block.

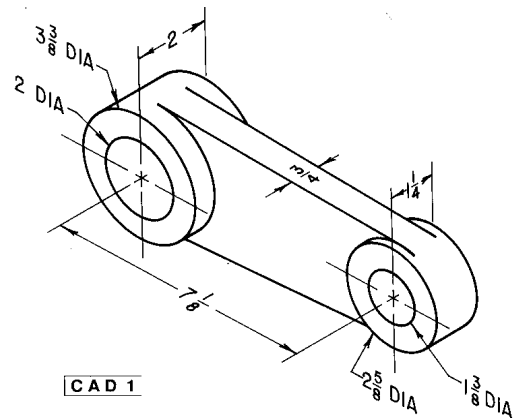


FIG. 5-62 Pivot arm.

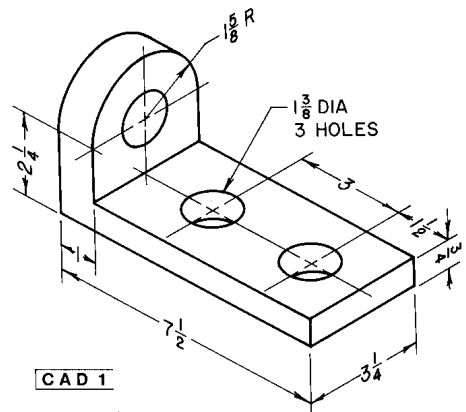


FIG. 5-63 Base.

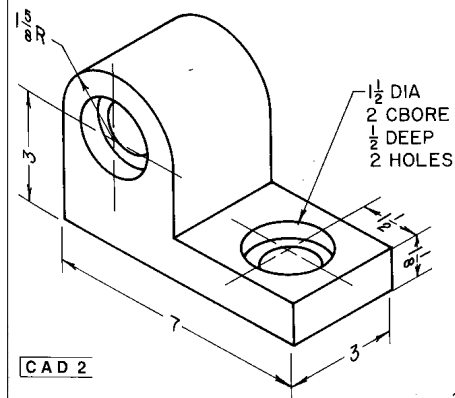


FIG. 5-64 Shaft support.

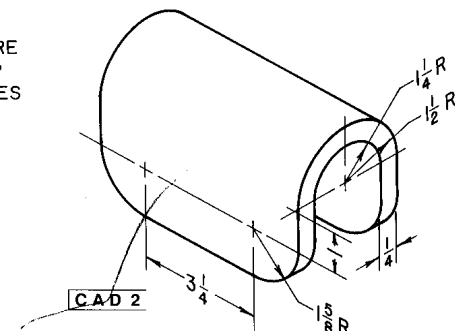


FIG. 5-65 Edge protector.

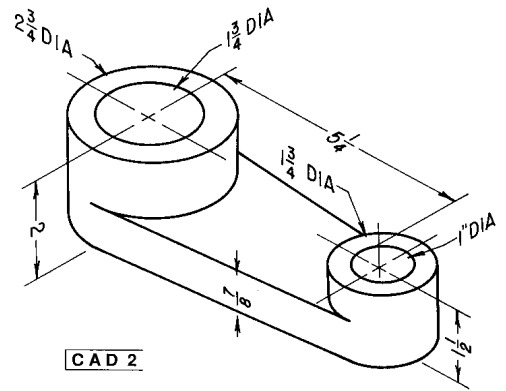


FIG. 5-66 Swivel arm.