

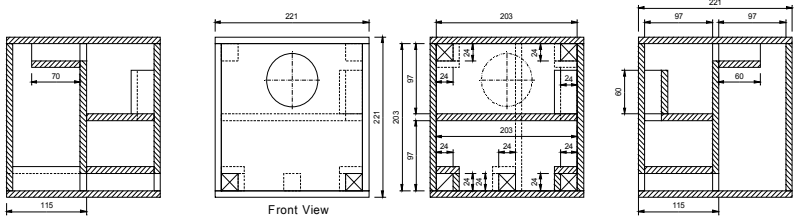
*Multiple-Chamber Aligned in Parallel (MCAP) Speaker System
Application Report*

Full-Range Speaker System with MCAP Enclosure - TRo80a -

Principal Design

General Information		Summary
Document Release Date	11/24/08	TRo80a consists of a main chamber and 3 subchambers. Overall size was 233W x 233H x 233D. In spite of this small size, it regenerates considerably low frequency. Pipe organ sounds excellent, and orchestra sounds also very good. This sound quality may not be believed until the sound is heard, though frequency response does not seem very flat. This model is very much recommended.
Manufactured Year	2006	
Document ID	MCAPAP006E	
Model ID	TRo80a	
Used Driver(s)	Tangband W3-316A	
Alternative Drivers	Any 3" drivers	
Overall Size(H×W×D)[mm]	233 x 233 x 233	
Characteristic Frequencies[Hz]	128, 113, 103, 84, 77, 69	
Required DIY Skill	Relatively High	
Designed by	S. Suzuki	

Enclosure Details

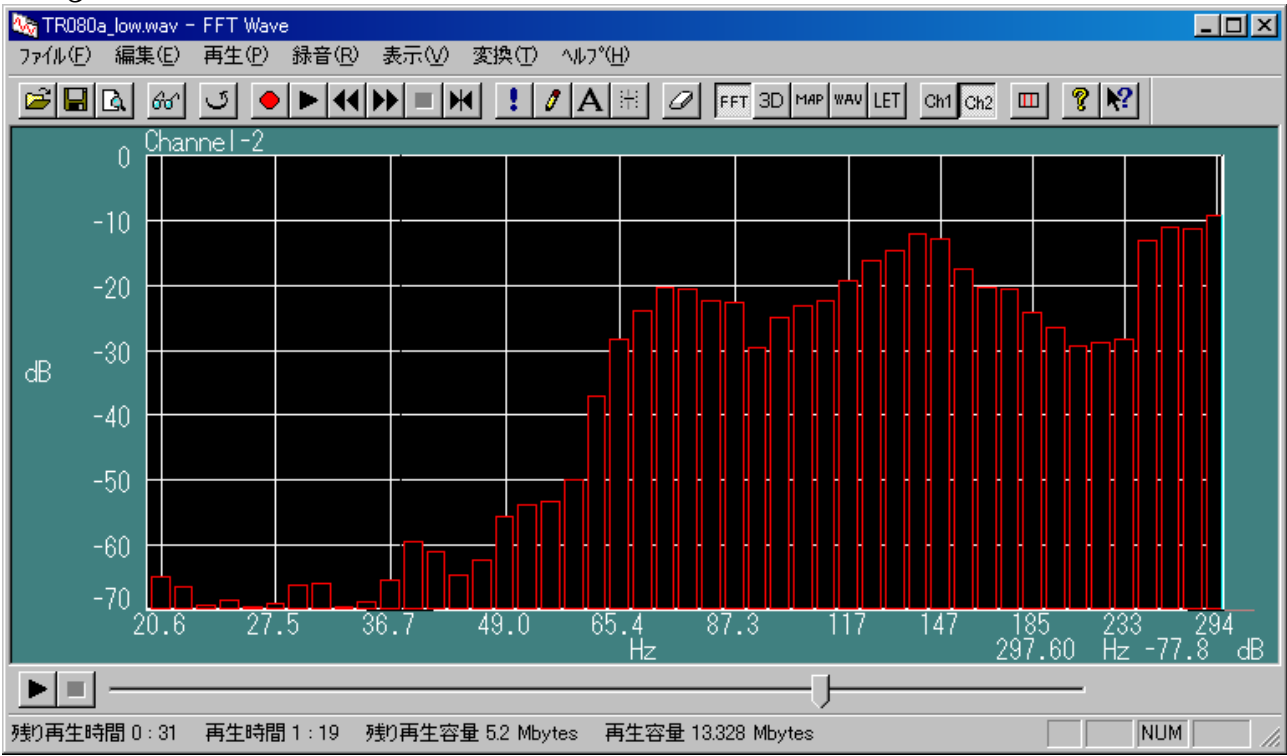
Item	Specifiction	Drawing
Model ID	TRo80a	 <p style="text-align: center;">Front View</p>
Main chamber	1.73[L]	
Subchamber #1	1.39 [L]	
Subchamber #2	1.69 [L]	
Subchamber #3	2.06[L]	
Duct #1	24 x 24 x 70	
Duct #2	24 x 24 x 70	
Duct #3	24 x 24 x 80	Material of this enclosure was 9mm thickness compiled pine wood plate (1920 x 450).
Duct #4	24 x 24 x 126	
Duct #5	24 x 24 x 126	
Duct #6	24 x 24 x 126	

Any questions should be asked to Shigeru Suzuki (mcapspeakers@gmail.com).

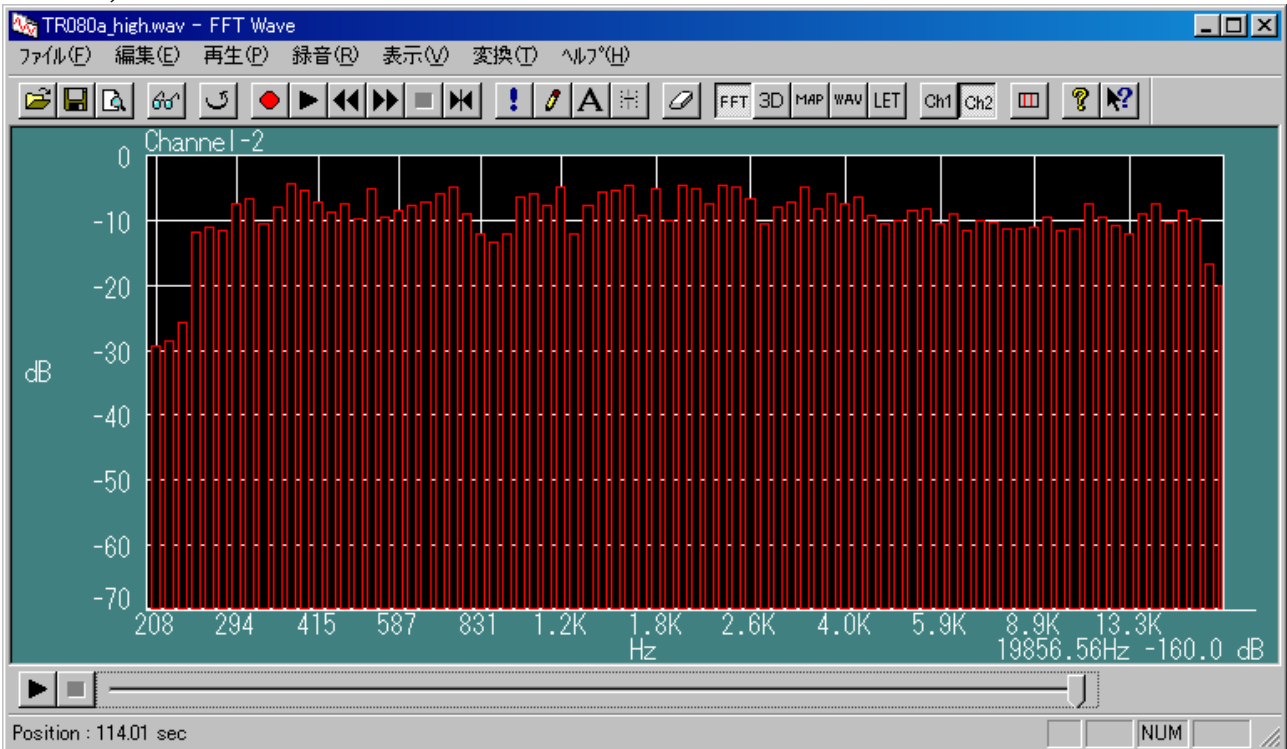
Multiple-Chamber Aligned in Parallel (MCAP) Speaker System Application Report

Frequency Response

20 - 300Hz



200-20,000Hz



End of report