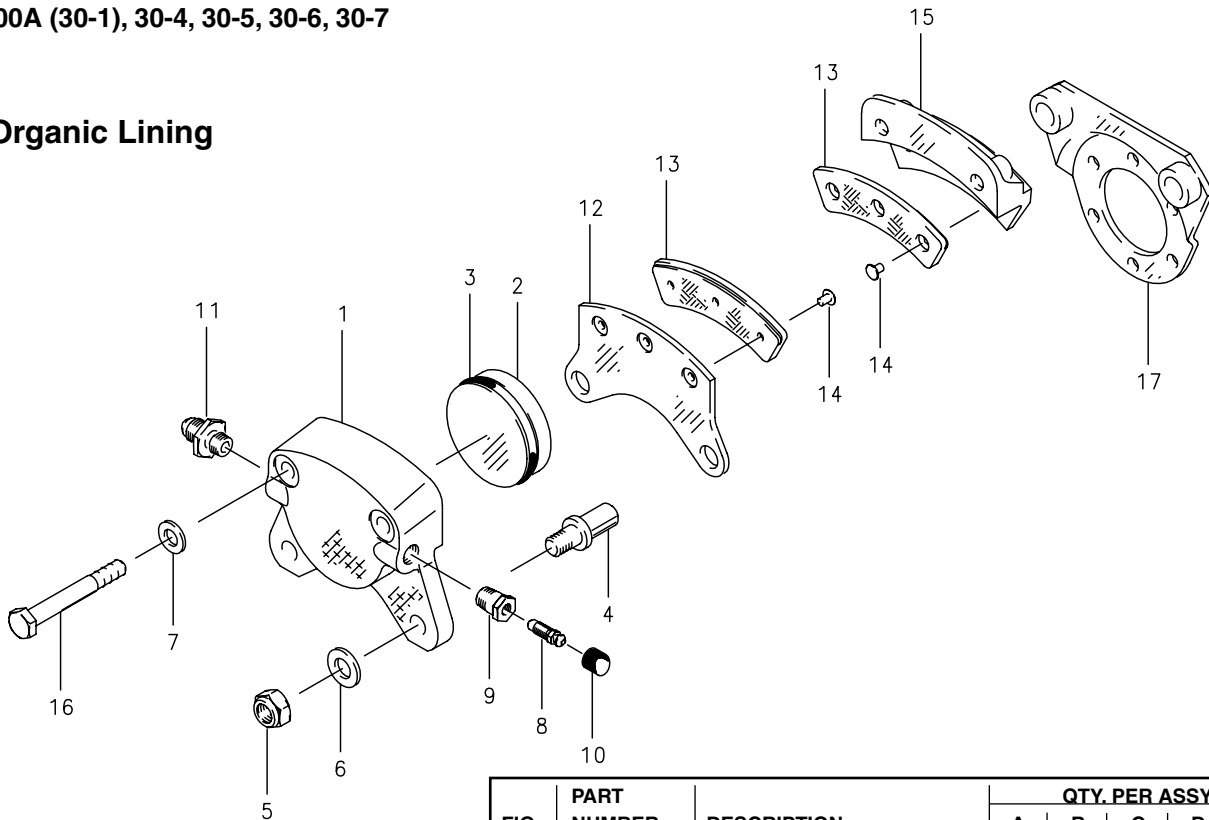


Illustrated Parts List

**Brake Assembly – 6" External
Single Cylinder, Single Piston**

35-200A (30-1), 30-4, 30-5, 30-6, 30-7

Organic Lining



Assy. Number

- A) 35-200A (30-1) (1) (2)
- B) 30-4 (1) (3)
- C) 30-5 (1) (3)
- D) 30-6
- E) 30-7 (1) (2)

NOTES:

- (1) Inactive assembly – spares support only for parts listed.
- (2) Superseded by 199-49 Kit.
- (3) Superseded by 30-56A brake and 40-86 wheel.
- (4) Inactive part – no longer available for spares support.

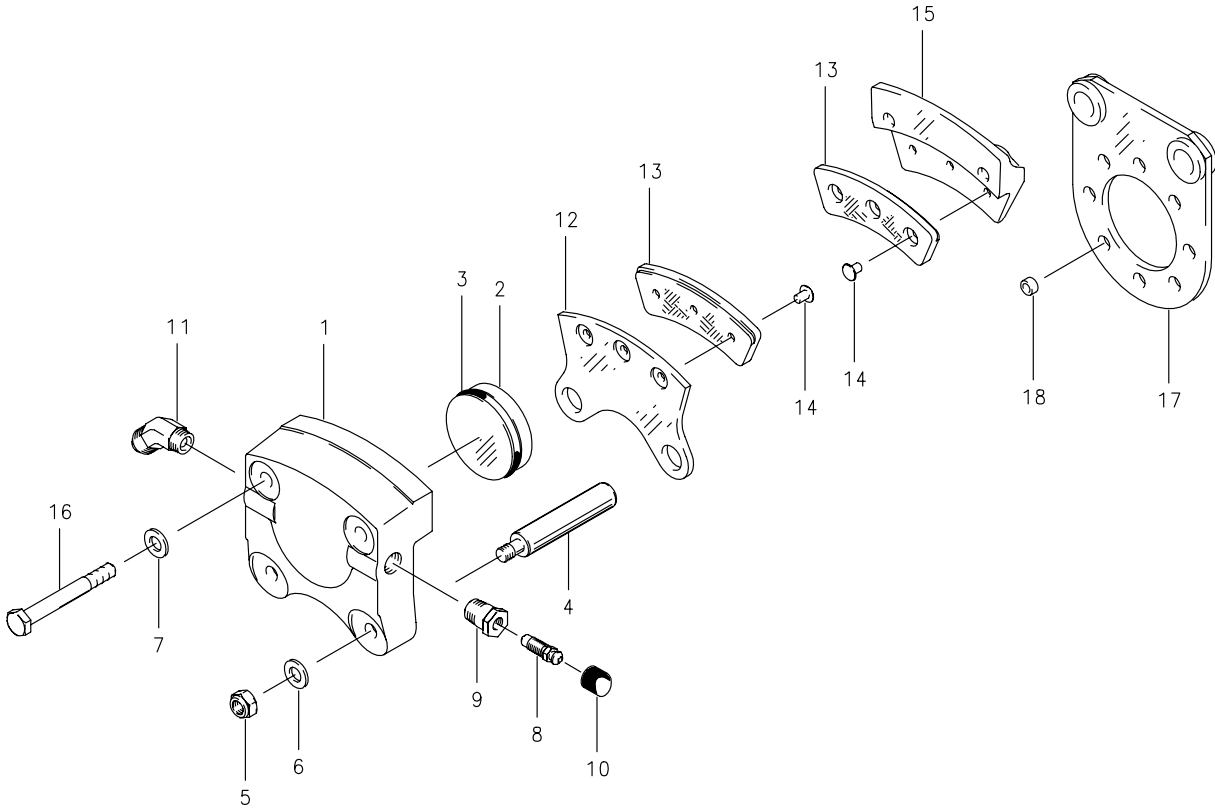
FIG.	PART NUMBER	DESCRIPTION	QTY. PER ASSY.				
			A	B	C	D	E
	091-00200	Cylinder Assy.	1	1	1		1
	091-00600	Cylinder Assy.				1	
1	061-00200	Cylinder	1	1	1	1	1
2	062-00100	Piston	1	1	1	1	1
3	101-02900	O-Ring (MS28775-326)	1	1	1	1	1
4	069-00200	Anchor Bolt	2	2	2	2	2
5	094-10100	Nut (MS21042-6)	2	2	2	2	2
6	095-10100	Washer (AN960-616L)	2	2	2	2	2
	095-10700	Washer (AN960-516L)	2	2	2	2	2
8	079-00300	Screw-Bleeder	1	1	1	1	1
9	081-00100	Seat-Bleeder	1	1	1	1	1
10	183-00100	Cap	1	1	1	1	1
11	104-00300	Fitting (AN816-4D)	1	1		1	
	073-00100	Pressure Plate Assy.	1	1		1	1
	(4)	Pressure Plate Assy.			1		
12	063-00200	Pressure Plate	1	1	1	1	1
13	066-11100	Lining	1	1		1	1
	(4)	Lining			1		
14	105-00200	Rivet	3	3	3	3	3
	074-00100	Back Plate Assy.	1	1			1
	074-00300	Back Plate Assy.				1	
	(4)	Back Plate Assy.			1		
15	064-00300	Back Plate	1	1	1		1
	064-00700	Back Plate				1	
13	066-11100	Lining	1	1		1	1
	(4)	Lining			1		
14	105-00200	Rivet	3	3	3	3	3
16	103-20700	Bolt (AN5H14A)	2	2	2	2	2
	075-01200	Torque Plate Assy.		1			
17	075-00200	Torque Plate Assy.					1
	(4)	Torque Plate Assy.	1		1		
	075-00500	Torque Plate Assy.				1	

Cleveland
Wheels & Brakes



30-18, 30-19, 30-19A, 30-40, 30-40A, 30-45

Organic Lining



Illustrated Parts List

30-18, 30-19, 30-19A, 30-40, 30-40A, 30-45

Organic Lining

FIG.	PART NUMBER	DESCRIPTION	QTY. PER ASSY.					
			A	B	C	D	E	F
1	091-00701	Cylinder Assy.	1	1				
	091-00702	Cylinder Assy.			1	1		
	061-00601	Cylinder	1	1	1	1	1	
	(3)	Cylinder						1
	092-00200	Piston Assy.	1	1	1	1		
	(3)	Piston Assy.					1	1
	062-00300	Piston	1	1	1	1		
2	(3)	Piston					1	1
	101-02300	O-Ring (MS28775-218)	1	1	1	1	1	
3	(3)	O-Ring						1
	069-00200	Anchor Bolt						2
4	069-00400	Anchor Bolt	2	2	2	2	2	
	094-10100	Nut (AN364-624C)						2
5	094-10300	Nut (MS21044-N4)	2	2	2	2	2	
	095-10100	Washer (AN960-616L)						2
6	095-10400	Washer (AN960-416)	2	2	2	2	2	
	095-10700	Washer (AN960-516L)						2
7	095-10200	Washer (AN960-416L)	2	2	2	2	2	
	079-00300	Screw-Bleeder	1	1	1	1	1	1
8	081-00100	Seat-Bleeder	1	1	1	1	1	1
9	183-00100	Cap-Bleeder	1	1	1	1	1	1
10	104-00400	Fitting (MS20822-4D)	1	1				
	104-00500	Fitting (MS20823-4D)			1	1		
	104-00300	Fitting (AN816-4D)					1	1
11	073-00100	Pressure Plate Assy.						1
	073-00300	Pressure Plate Assy.	1	1	1	1	1	
12	063-00200	Pressure Plate						1
	063-00500	Pressure Plate	1	1	1	1	1	
13	066-11100	Lining						1
	066-10600	Lining	1	1	1	1	1	
14	105-00200	Rivet	3	3	3	3	3	3
15	074-00200	Back Plate Assy.	1	1	1	1	1	
	064-00300	Back Plate						1
	064-00500	Back Plate	1	1	1	1	1	
13	066-11100	Lining						1
	066-10600	Lining	1	1	1	1	1	
14	105-00200	Rivet	3	3	3	3	3	3
16	103-20700	Bolt (AN5H14A)						2
	103-12100	Bolt (AN4H15A)	2			2		
	103-11500	Bolt		2	2		2	
17	075-01600	Torque Plate Assy.	1					
	075-04900	Torque Plate Assy.			1			
	075-02500	Torque Plate Assy.				1		
	075-00600	Torque Plate Assy.						1
	075-01700	Torque Plate Assy.		1				
18	(3)	Torque Plate Assy.					1	
	145-01000	Bushing					2	2

Assy. Number

- A) 30-18
- B) 30-19
- C) 30-19A
- D) 30-40
- E) 30-40A (1)
- F) 30-45 (1) (2)

NOTES:

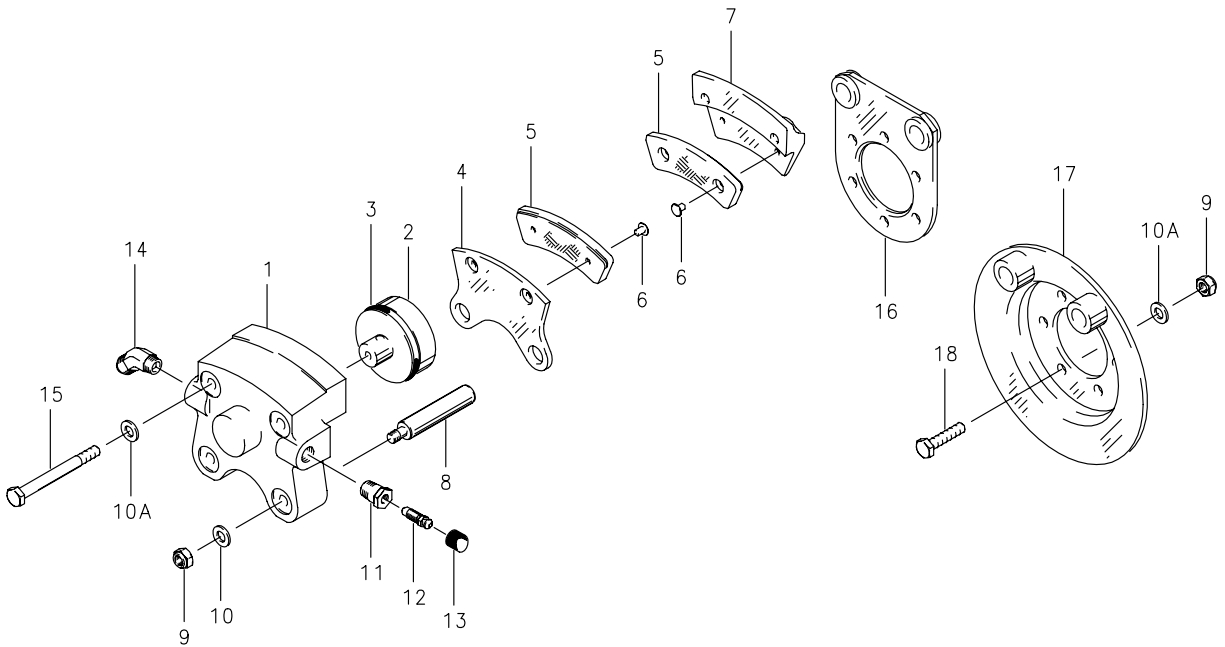
- (1) Inactive assembly – spares support only for parts listed.
- (2) 199-60 supersedes 30-45.
- (3) Inactive part – no longer available for spares support.



Illustrated Parts List

30-30, 30-55, 30-55B, 30-79, 30-79A, 30-79B, 30-214, 30-214B, 30-224

Organic Lining



Illustrated Parts List

30-30, 30-55, 30-55B, 30-79, 30-79A, 30-79B, 30-214, 30-214B, 30-224

Organic Lining

FIG.	PART NUMBER	DESCRIPTION	QTY. PER ASSY.									
			A	B	C	D	E	F	G	H	I	
	091-02300	Cylinder Assy.		1	1							
	091-05500	Cylinder Assy.				1						
	091-07000	Cylinder Assy.						1				
	091-07100	Cylinder Assy.					1					
	091-12000	Cylinder Assy.	1									
	091-20400	Cylinder Assy.										1
	091-21100	Cylinder Assy.									1	
1	061-01900	Cylinder	1							1	1	
	061-02100	Cylinder		1	1							1
	061-14200	Cylinder				1	1	1				
	092-01700	Piston Assy.	1							1	1	
	092-01600	Piston Assy.		1	1	1	1	1				1
2	062-01500	Piston		1	1	1	1	1				1
	062-01600	Piston	1							1	1	
3	101-02700	O-Ring (MS28775-222)		1	1	1	1	1				1
	101-05200	O-Ring (MS28775-224)	1							1	1	
	073-01100	Pressure Plate Assy.		1	1	1	1	1	1	1	1	1
	073-03600	Pressure Plate Assy.	1									
4	063-01200	Pressure Plate	1	1	1	1	1	1	1	1	1	1
5	066-10500	Lining	1	1	1	1	1	1	1	1	1	1
6	105-00200	Rivet	2	2	2	2	2	2	2	2	2	2
	074-01000	Back Plate Assy.		1	1	1	1	1	1	1	1	1
	074-02900	Back Plate Assy.	1									
7	064-01500	Back Plate	1	1	1	1	1	1	1	1	1	1
5	066-10500	Lining	1	1	1	1	1	1	1	1	1	1
6	105-00200	Rivet	2	2	2	2	2	2	2	2	2	2
8	069-00400	Anchor Bolt	2	2	2	2	2	2				
	069-01900	Anchor Bolt								2	2	2
9	094-10300	Nut (MS21044-N4) (2)	8	2	2	2	2	2	2	2	2	2
10	095-10200	Washer (AN960-416L)	4	4	4	4	4	4	4	4	4	4
10A	095-10400	Washer (AN960-416) (2)	6									
11	081-00100	Seat-Bleeder	1	1	1	1	1			1	1	1
12	079-00300	Screw-Bleeder	1	1	1	1	1			1	1	1
13	183-00100	Cap-Bleeder	1	1	1	1	1			1	1	1
	081-00300	Seat-Bleeder (1)							1			
	101-00100	O-Ring (MS28775-006) (1)							1			
	079-00500	Screw-Bleeder (1)							1			
	104-00300	Fitting (AN816-4D)							1			
14	104-00400	Fitting (MS20822-4D)					1					
	104-00500	Fitting (MS20823-4D)	1		1	1						
15	103-11600	Bolt	2	2	2	2	2	2	2	2	2	2
	075-01600	Torque Plate Assy.		1								
	075-05600	Torque Plate Assy.			1							
	075-07700	Torque Plate Assy.								1		
16	075-07800	Torque Plate Assy.					1					
	075-07900	Torque Plate Assy.				1						
	075-09100	Torque Plate Assy.						1				
	075-14200	Torque Plate Assy.										1
	075-19500	Torque Plate Assy.									1	
17	075-12100	Torque Plate Assy.	1									
18	103-61100	Screw-Sock. Hd. (2)	6									

Assy. Number

- A) 30-30
- B) 30-55
- C) 30-55B
- D) 30-79
- E) 30-79A
- F) 30-79B
- G) 30-214
- H) 30-214B
- I) 30-224 (3)

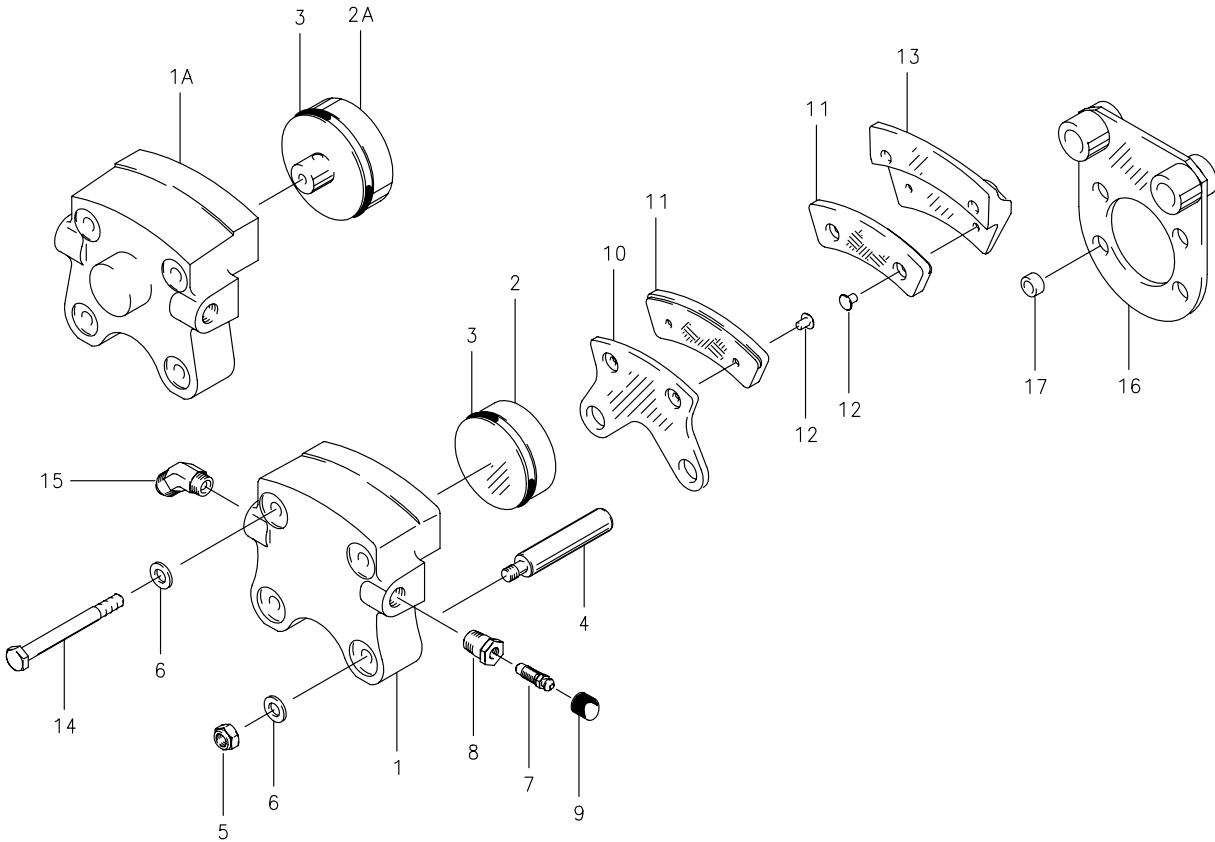
NOTES:

- (1) Bleeder Assy. special for 30-79B, not shown.
- (2) Hardware also used on 075-12100 Torque Plate Assy.
- (3) This brake is not FAA-TSO Approved – Order from Airframe Manufacturer only.



30-53, 30-53A, 30-59, 30-59A, 30-59D, 30-59E

Organic Lining



Illustrated Parts List

30-53, 30-53A, 30-59, 30-59A, 30-59D, 30-59E

Organic Lining

FIG.	PART NUMBER	DESCRIPTION	QTY. PER ASSY.					
			A	B	C	D	E	F
	091-09600	Cylinder Assy.			1	1		1
	091-09800	Cylinder Assy.	1	1				
	091-11100	Cylinder Assy.					1	
1	061-07300	Cylinder	1	1				
	061-07500	Cylinder			1	1		1
1A	061-08900	Cylinder					1	
	092-01700	Piston Assy.					1	
	092-03200	Piston Assy.	1	1				
	092-04000	Piston Assy.			1	1		
2	062-03000	Piston	1	1				
	062-03900	Piston			1	1		1
2A	062-01600	Piston					1	
3	101-02700	O-Ring (MS28775-222)	1	1				
	101-05200	O-Ring (MS28775-224)			1	1	1	1
4	069-00400	Anchor Bolt	2	2	2	2	2	2
5	094-10300	Nut (MS21044-N4)	2	2	2	2	2	2
6	095-10200	Washer (AN960-416L)	4	4	4	4	4	4
7	079-00300	Screw-Bleeder	1	1	1	1	1	1
8	081-00100	Seat-Bleeder	1	1	1	1	1	1
9	183-00100	Cap-Bleeder	1	1	1	1	1	1
	073-04600	Pressure Plate Assy.	1	1	1	1	1	1
10	063-03400	Pressure Plate	1	1	1	1	1	1
11	066-11200	Lining	1	1	1	1	1	1
12	105-00200	Rivet	2	2	2	2	2	2
	074-03600	Back Plate Assy.	1	1	1	1	1	1
13	064-02900	Back Plate	1	1	1	1	1	1
11	066-11200	Lining	1	1	1	1	1	1
12	105-00200	Rivet	2	2	2	2	2	2
14	103-11600	Bolt	2				2	
	103-11700	Bolt (ABP4-20AM)			2	2		2
	103-12300	Bolt (AN4H17A)		2				
15	104-00500	Fitting (MS20823-4D)					1	
16	075-07800	Torque Plate Assy.			1		1	
	075-03700	Torque Plate Assy.				1		1
	075-14200	Torque Plate Assy.		1				
	(2)	Torque Plate Assy.	1					
17	145-01000	Bushing				2		

Assy. Number

- A) 30-53 (1)
- B) 30-53A LH & RH
- C) 30-59
- D) 30-59A
- E) 30-59D
- F) 30-59E

NOTES:

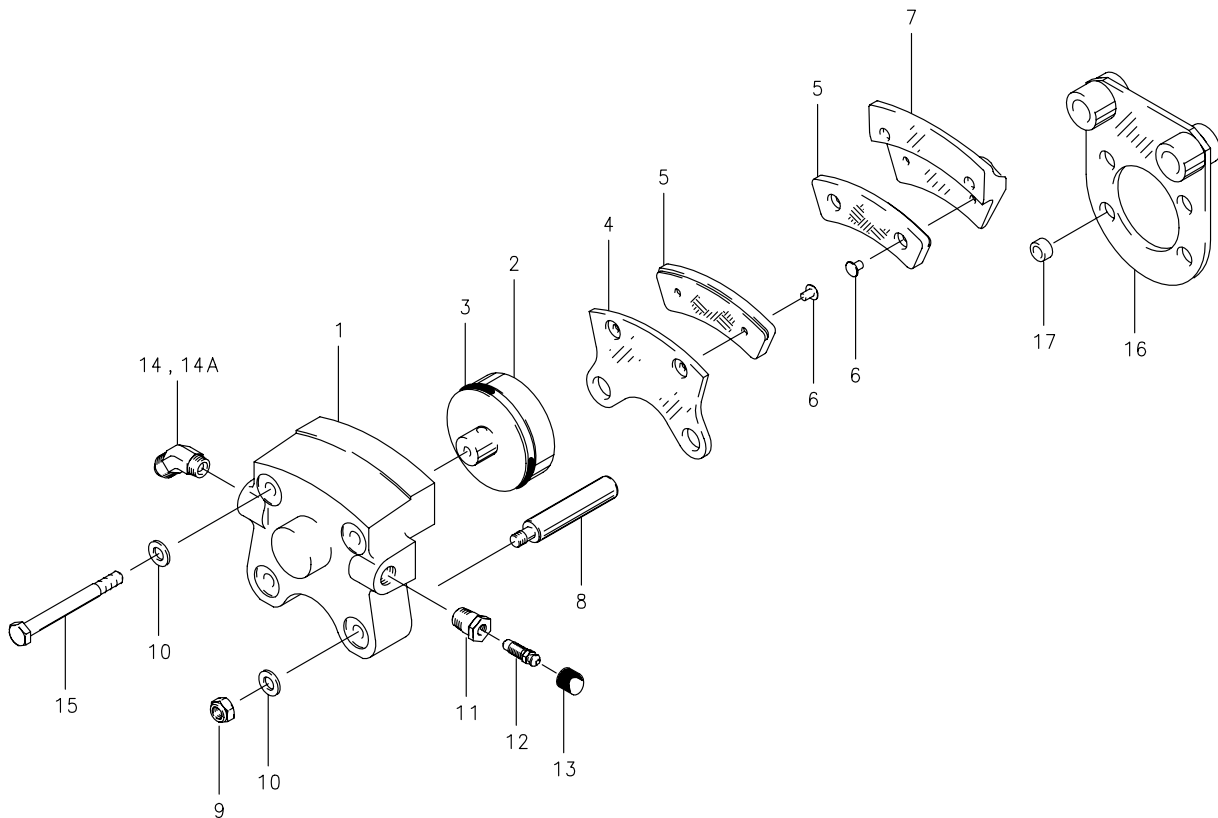
- (1) Inactive assembly – spares support only for parts listed.
- (2) Inactive part – no longer available for spares support.



Illustrated Parts List

30-56, 30-56A, 30-56B, 30-56C, 30-56D, 30-56F, 30-63, 30-63A, 30-63B,
30-63D, 30-63E, 30-63F, 30-63J, 30-63K, 30-63M, 30-63P, 30-63Q, 30-63S

Organic Lining



Illustrated Parts List

30-56, 30-56A, 30-56B, 30-56C, 30-56D, 30-56F, 30-63, 30-63A, 30-63B,
30-63D, 30-63E, 30-63F, 30-63J, 30-63K, 30-63M, 30-63P, 30-63Q, 30-63S

Organic Lining

FIG.	PART NUMBER	DESCRIPTION	QTY. PER ASSY.																	
			A	B	C	D	E	F	G	H	I	J	K	L	M	N	O	P	Q	R
	091-02200	Cylinder Assy.				1			1	1	1	1	1	1		1			1	
	091-02201	Cylinder Assy.																	1	
	091-15900	Cylinder Assy.		1			1													
	091-05000	Cylinder Assy.		1										1						
	091-08400	Cylinder Assy.														1				
	091-11900	Cylinder Assy.	1		1			1										1		
	091-12200	Cylinder Assy.																	1	
1	061-01900	Cylinder	1	1	1	1	1	1	1	1	1	1	1	1	1	1	1	1	1	
	092-01700	Piston Assy.	1	1	1	1	1	1	1	1	1	1	1	1	1	1	1	1	1	
2	062-01600	Piston	1	1	1	1	1	1	1	1	1	1	1	1	1	1	1	1	1	
3	101-05200	O-Ring (MS28775-224)	1	1	1	1	1	1	1	1	1	1	1	1	1	1	1	1	1	
	073-01100	Pressure Plate Assy.	1		1	1		1	1	1	1	1	1	1	1		1		1	
	073-03600	Pressure Plate Assy.		1			1										1		1	
4	063-01200	Pressure Plate	1	1	1	1	1	1	1	1	1	1	1	1	1	1	1	1	1	
5	066-10500	Lining	1	1	1	1	1	1	1	1	1	1	1	1	1	1	1	1	1	
6	105-00200	Rivet	2	2	2	2	2	2	2	2	2	2	2	2	2	2	2	2	2	
	074-01000	Back Plate Assy.	1		1	1		1	1	1	1	1	1	1	1		1		1	
	074-02900	Back Plate Assy.		1			1										1		1	
7	064-01500	Back Plate	1	1	1	1	1	1	1	1	1	1	1	1	1	1	1	1	1	
5	066-10500	Lining	1	1	1	1	1	1	1	1	1	1	1	1	1	1	1	1	1	
6	105-00200	Rivet	2	2	2	2	2	2	2	2	2	2	2	2	2	2	2	2	2	
8	069-00400	Anchor Bolt	2	2	2	2	2	2	2	2	2	2	2	2	2	2	2	2	2	
	069-01900	Anchor Bolt																	2	
9	094-10300	Nut (MS21044-N4)	2	2	2	2	2	2	2	2	2	2	2	2	2	2	2	2	2	
10	095-10200	Washer (AN960-416L)	4	4	4	4	4	4	4	4	4	4	4	4	4	4	4	4	4	
11	081-00100	Seat-Bleeder	1	1	1	1	1	1	1	1	1	1	1	1	1	1	1	1	1	
12	079-00300	Screw-Bleeder	1	1	1	1	1	1	1	1	1	1	1	1	1	1	1	1	1	
13	183-00100	Cap-Bleeder	1	1	1	1	1	1	1	1	1	1	1	1	1	1	1	1	1	
14	104-00300	Fitting (AN816-4D)													1				1	
14A	104-00500	Fitting (MS20823-4D)	1	1	1		1	1												
15	103-11600	Bolt	2		2	2		2	2	2	2	2	2	2	2	2	2	2	2	
	103-12300	Bolt (AN4H17A)		2			2													
	075-01600	Torque Plate Assy.		1			1													
	075-03700	Torque Plate Assy.	1						1	1	1	1	1	1						
	075-05600	Torque Plate Assy.			1															
	075-06701	Torque Plate Assy.																	1	
	075-07400	Torque Plate Assy.												1						
	075-07700	Torque Plate Assy.																	1	
	075-09400	Torque Plate Assy.														1				
	075-14000	Torque Plate Assy.															1			
	075-05500	Torque Plate Assy.				1														
	075-03701	Torque Plate Assy.													1					
	075-09100	Torque Plate Assy.						1												
17	145-01000	Bushing	2						2	2	2	2	2	2						
	145-04500	Bushing												4						

Assy. Number

- A) 30-56 (1)
- B) 30-56A
- C) 30-56B
- D) 30-56C
- E) 30-56D
- F) 30-56F
- G) 30-63 (1)
- H) 30-63A
- I) 30-63B (1)
- J) 30-63D (1)
- K) 30-63E
- L) 30-63F (1)
- M) 30-63J
- N) 30-63K
- O) 30-63M
- P) 30-63P
- Q) 30-63Q
- R) 30-63S

NOTES:

(1) Inactive Assembly
- spares support
only for parts
listed.

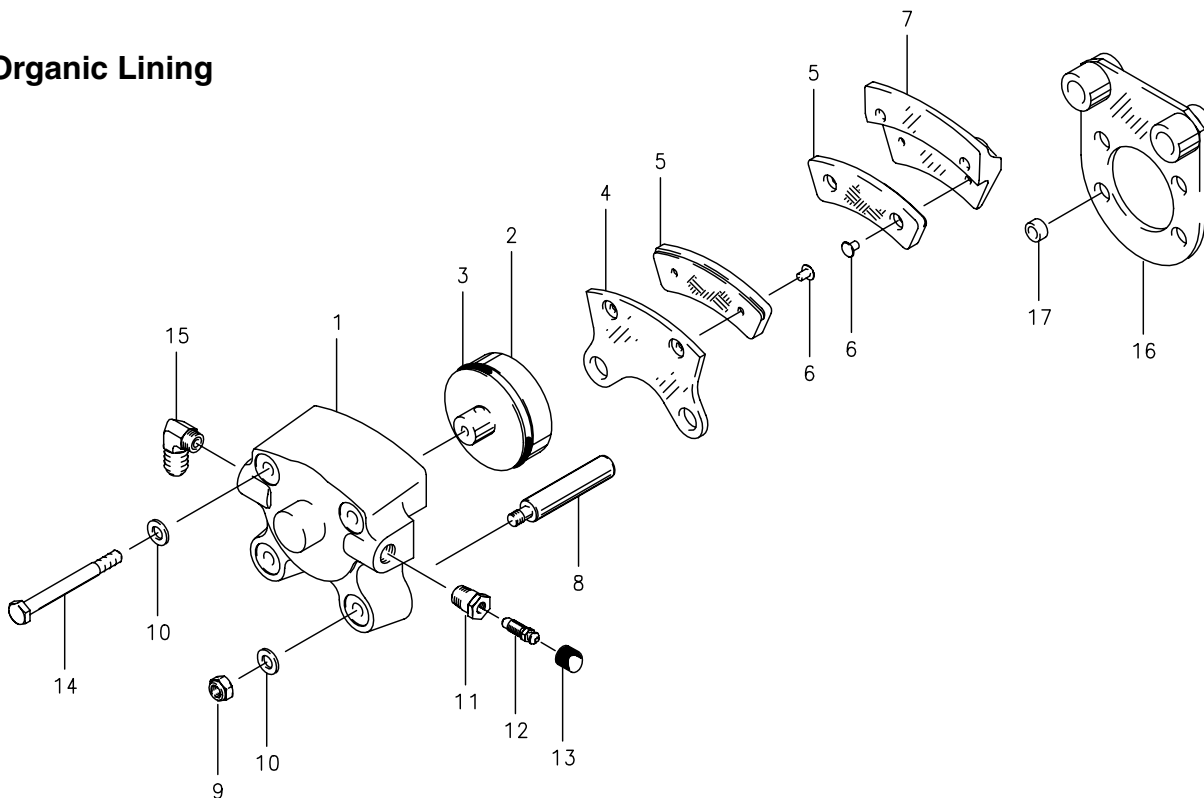


Illustrated Parts List

**Brake Assembly – 6" External
Single Cylinder, Single Piston**

30-75, 30-75A, 30-75B, 30-75X

Organic Lining



Assy. Number

- A) 30-75
- B) 30-75A LH & RH
- C) 30-75B
- D) 30-75X

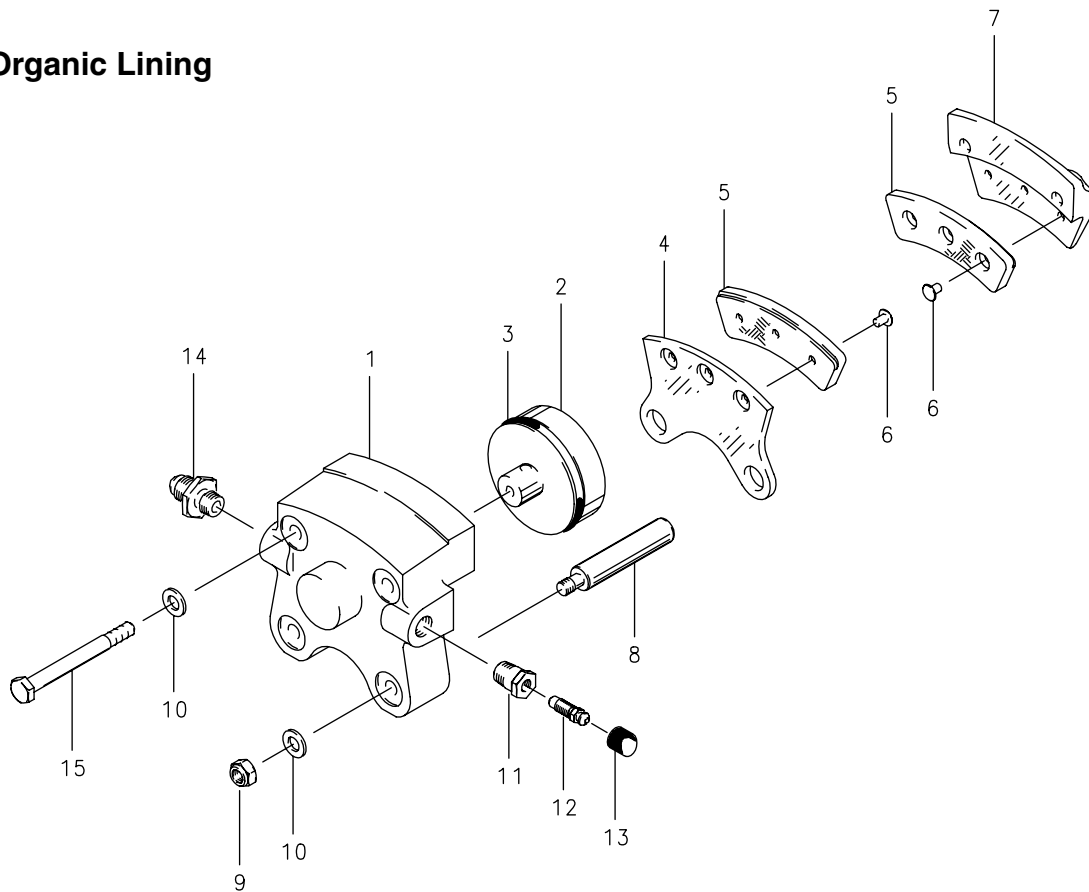
NOTES:

(1) Position of bushing varies with installation.

FIG.	PART NUMBER	DESCRIPTION	QTY. PER ASSY.			
			A	B	C	D
	091-04400	Cylinder Assy.	1	1		1
	091-06400	Cylinder Assy.			1	
1	061-14100	Cylinder	1	1	1	1
	092-07500	Piston Assy.	1	1	1	1
2	062-08000	Piston	1	1	1	1
3	101-05200	O-Ring (MS28775-224)	1	1	1	1
	073-01100	Pressure Plate Assy.	1	1	1	1
4	063-01200	Pressure Plate	1	1	1	1
5	066-10500	Lining	1	1	1	1
6	105-00200	Rivet	2	2	2	2
	074-01000	Back Plate Assy.	1	1	1	1
7	064-01500	Back Plate	1	1	1	1
5	066-10500	Lining	1	1	1	1
6	105-00200	Rivet	2	2	2	2
8	069-02500	Anchor Bolt	2	2	2	2
9	094-10300	Nut (MS21044-N4)	2	2	2	2
10	095-10200	Washer (AN960-416L)	4	4	4	4
11	081-00100	Seat-Bleeder	1	1	1	1
12	079-00300	Screw-Bleeder	1	1	1	1
13	183-00100	Cap-Bleeder	1	1	1	1
14	103-11600	Bolt	2	2	2	2
15	104-00400	Fitting (MS20822-4D)			1	
	075-03700	Torque Plate Assy.	1			1
16	075-06700	Torque Plate Assy.		1		
	075-07800	Torque Plate Assy.			1	
17	145-01000	Bushing (1)	2			2

30-236

Organic Lining



Assy. Number

A) 30-236

FIG.	PART NUMBER	DESCRIPTION	QTY. PER ASSY
			A
1	061-16200	Cylinder	1
2	062-08001	Piston	1
3	101-05200	O-Ring (MS28775-224)	1
4	063-01200	Pressure Plate	1
5	066-10500	Lining	1
6	105-00200	Rivet	2
7	064-01500	Back Plate	1
8	069-01900	Anchor Bolt	2
9	094-10300	Nut (MS21044-N4)	2
10	095-10200	Washer (AN960-416L)	4
11	081-00100	Seat-Bleeder	1
12	079-00300	Screw-Bleeder	1
13	183-00100	Cap-Bleeder	1
14	104-00300	Fitting (AN816-4D)	1
15	103-11600	Bolt	2

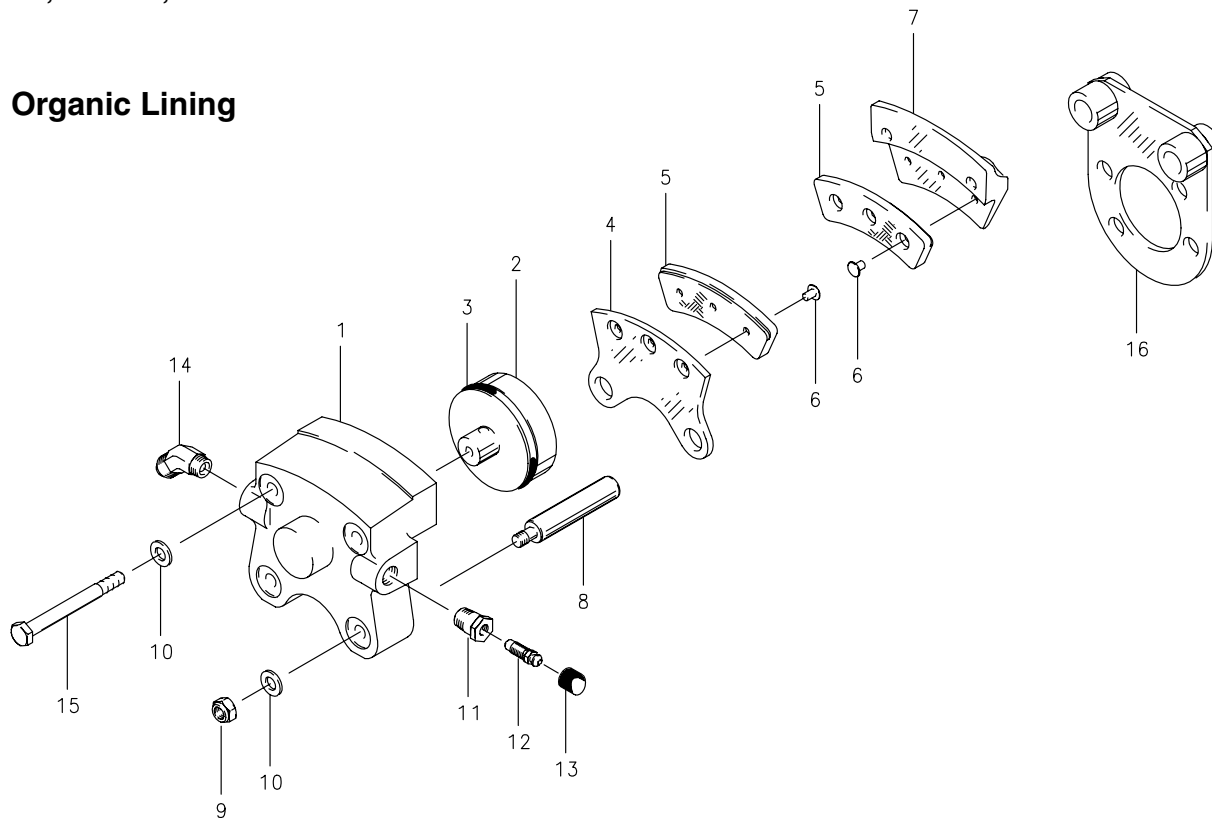
4

Illustrated Parts List

**Brake Assembly – 6" External
Single Cylinder, Single Piston**

30-239, 30-239A, 30-239B

Organic Lining



NOTES:

(1) Uses 075-20100 Torque Plate Assy. for left hand brake and 075-20150 for right hand brake.

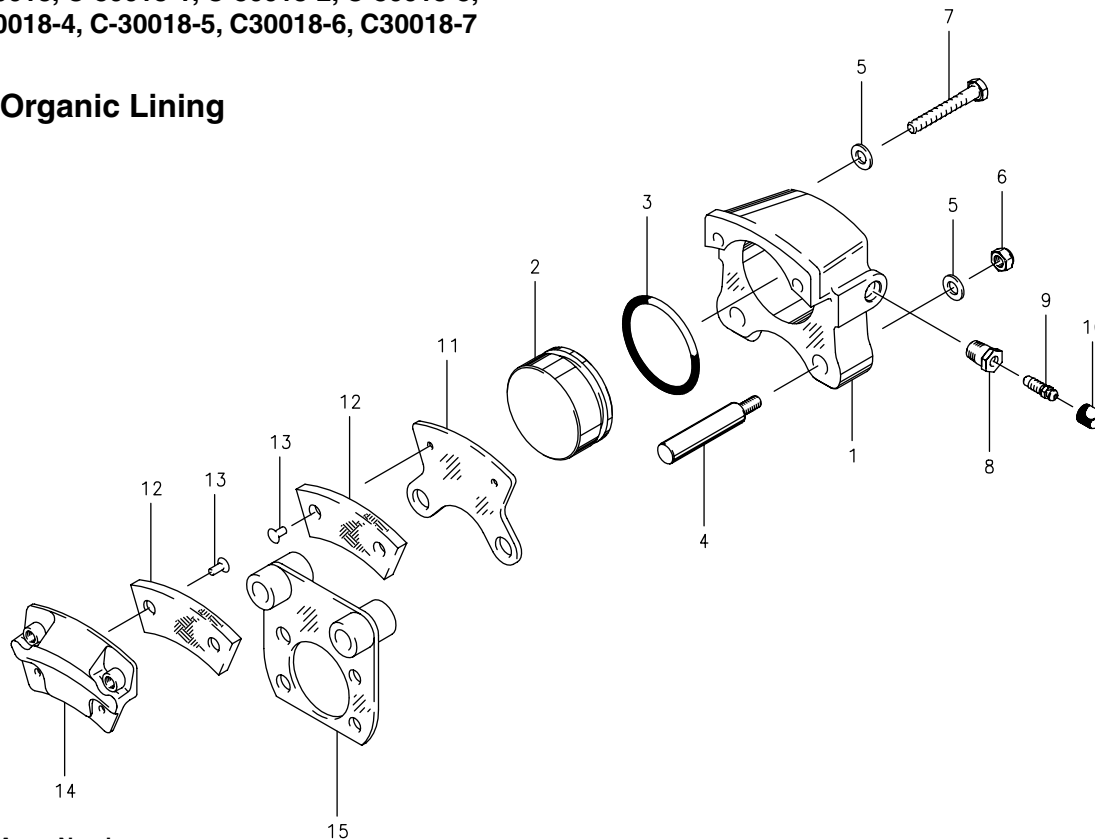
FIG.	PART NO.	DESCRIPTION	PER ASSY.		
			30-239 (1)	30-239A	30-239B
	091-21500	Cylinder Assembly	1	1	
	091-21501	Cylinder Assembly			1
1	061-16200	Cylinder	1	1	1
2	062-08001	Piston	1	1	1
3	101-05200	O-Ring (MS28775-224)	1	1	1
	073-11200	Pressure Plate Assembly	1	1	1
4	063-00500	Pressure Plate	1	1	1
5	066-14100	Lining	1	1	1
6	105-00200	Rivet	3	3	3
	074-07700	Back Plate Assembly	1	1	1
7	064-00500	Back Plate	1	1	1
5	066-14100	Lining	1	1	1
6	105-00200	Rivet	3	3	3
8	069-01900	Anchor Bolt	2	2	2
9	094-10300	Nut (MS21044-N4)	2	2	2
10	095-10200	Washer (AN960-416L)	4	4	4
11	081-00100	Seat-Bleeder	1	1	1
12	079-00300	Screw-Bleeder	1	1	1
13	183-00100	Cap-Bleeder	1	1	1
14	104-00500	Fitting (MS20823-4D)	1	1	
	104-00900	Fitting (MS20822-3D)			1
15	103-12300	Bolt	2	2	2
16	(1)	Torque Plate Assembly	1		
	075-07700	Torque Plate Assembly		1	1

Illustrated Parts List

**Brake Assembly – 6" External
Single Cylinder, Single Piston**

**C-30018, C-30018-1, C-30018-2, C-30018-3,
C-30018-4, C-30018-5, C30018-6, C30018-7**

Organic Lining



Assy. Number

- A) C-30018 (3) (4)
- B) C-30018-1(3)
- C) C-30018-2 (3) (4)
- D) C-30018-3 (3)
- E) C-30018-4 (3) (4)
- F) C-30018-5 (3) (4)
- G) C-30018-6 (3) (4)
- H) C-30018-7 (3)

NOTES:

- (1) Cylinder sub-assembly includes anchor bolts, nuts and washers to attach.
- (2) All brake assemblies listed were formerly manufactured by "Mc-Cauley Industrial Corporation."
- (3) Inactive assembly – spares support only for parts listed.
- (4) Superseded equipment – refer to Cessna Service Bulletin SEB00-5 and Cessna Service Kit SK182-120 for replacement wheels and brakes.
- (5) Inactive part – no longer available for spares support.

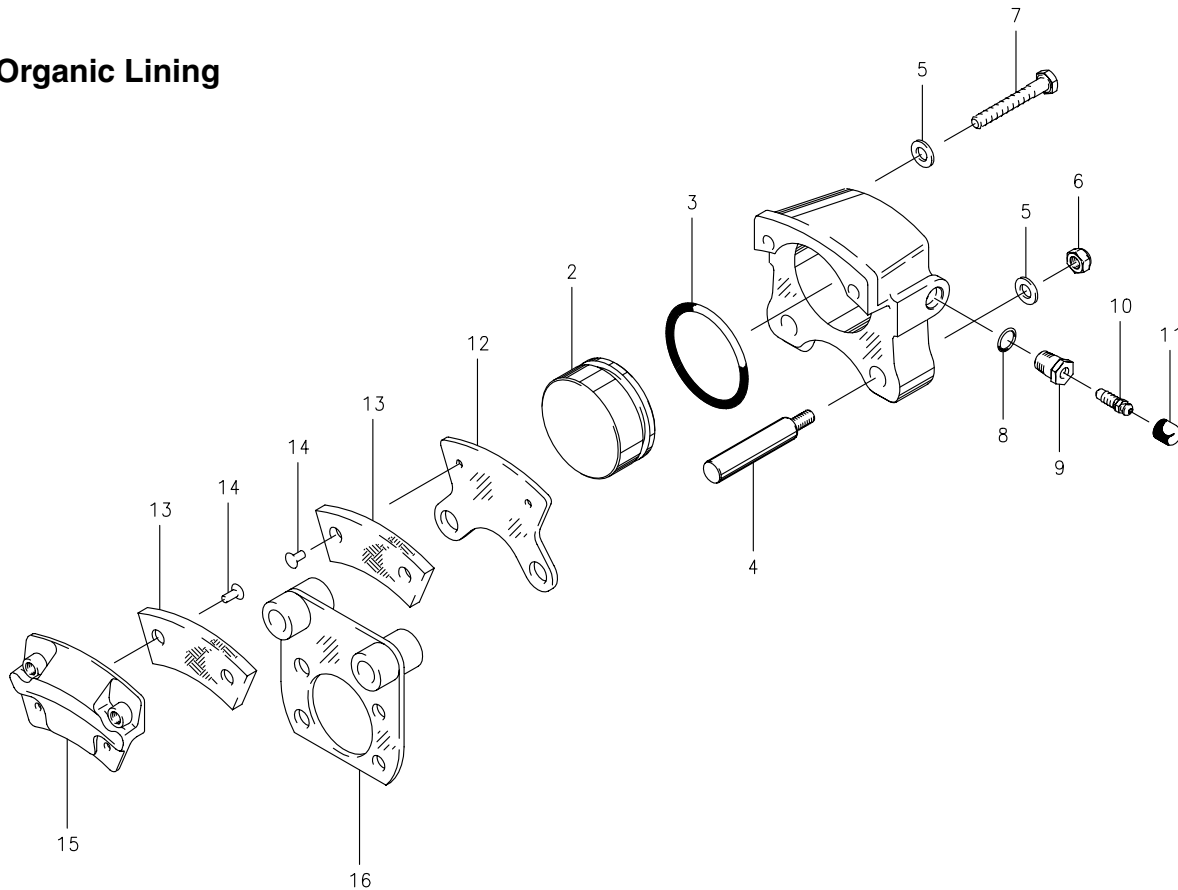
FIG.	PART NUMBER	DESCRIPTION	QTY. PER ASSY.							
			A	B	C	D	E	F	G	H
	091-30018	Cylinder Assy.	1	1	1	1	1	1	1	1
	(5)	Cylinder Sub-Assy. (1)	1	1	1	1	1	1	1	1
1	(5)	Cylinder	1	1	1	1	1	1	1	1
2	062-30022	Piston	1	1	1	1	1	1	1	1
3	101-05200	O-Ring (MS28775-224)	1	1	1	1	1	1	1	1
4	069-30644	Anchor Bolt	2	2	2	2	2	2	2	2
5	095-10200	Washer (AN960-416L)	4	4	4	4	4	4	4	4
6	094-15200	Nut	2	2	2	2	2	2	2	2
7	103-14300	Bolt	2	2	2	2	2	2	2	2
8	081-00100	Seat-Bleeder	1	1	1	1	1	1	1	1
9	079-00300	Screw-Bleeder	1	1	1	1	1	1	1	1
10	183-00100	Cap-Bleeder	1	1	1	1	1	1	1	1
	073-30024	Pressure Plate Assy.	1	1	1	1	1	1	1	1
	063-30025	Pressure Plate	1	1	1	1	1	1	1	1
	066-30026	Lining	1	1	1	1	1	1	1	1
	105-00200	Rivet	2	2	2	2	2	2	2	2
	074-30027	Back Plate Assy.	1	1	1	1	1	1	1	1
14	064-30028	Back Plate	1	1	1	1	1	1	1	1
	066-30026	Lining	1	1	1	1	1	1	1	1
13	105-00200	Rivet	2	2	2	2	2	2	2	2
15	075-30166	Torque Plate Assy.		1						
	075-30649	Torque Plate Assy.	1			1	1	1		
	075-30650	Torque Plate Assy.			1				1	
	075-30824	Torque Plate Assy.								1

Cleveland
Wheels & Brakes



C-30764-5, C-30764-6, C-30764-7

Organic Lining



Assy. Number

- A) C-30764-5 (3) (4)**
- B) C-30764-6 (3) (4)**
- C) C-30764-7 (3)**

NOTES:

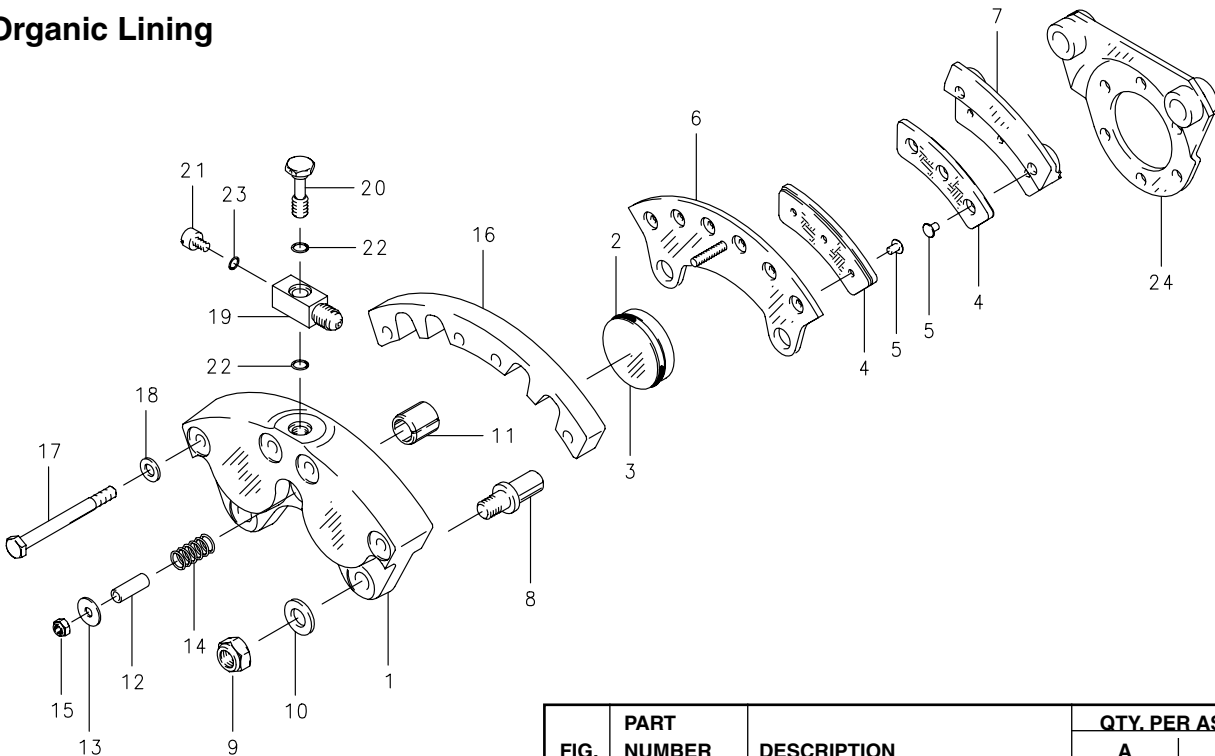
- (1) Cylinder sub-assembly includes anchor bolts, nuts and washers to attach.
- (2) All brake assemblies listed were formerly manufactured by "Mc-Cauley Industrial Corporation."
- (3) Inactive assembly – spares support only for parts listed.
- (4) Superseded equipment – refer to Cessna Service Bulletin SEB00-5 and Cessna Service Kit SK182-120 for replacement wheels and brakes.
- (5) Inactive part – no longer available for spares support.

FIG.	PART NUMBER	DESCRIPTION	QTY. PER ASSY.		
			A	B	C
	091-30764	Cylinder Assembly	1	1	1
	(5)	Cylinder Sub-Assembly (1)	1	1	1
1	(5)	Cylinder	1	1	1
2	062-30022	Piston	1	1	1
3	101-05200	O-Ring (MS28775-224)	1	1	1
4	069-30644	Anchor Bolt	2	2	2
5	095-10200	Washer (AN960-416L)	4	4	4
6	094-15200	Nut	2	2	2
7	103-14300	Bolt (ABP4-22A)	2	2	2
8	101-00600	O-Ring (MS28775-011)	1	1	1
9	081-30169	Seat-Bleeder	1	1	1
10	079-00300	Screw-Bleeder	1	1	1
11	183-00100	Cap-Bleeder	1	1	1
	073-30024	Pressure Plate Assy.	1	1	1
12	063-30025	Pressure Plate	1	1	1
13	066-30026	Lining	1	1	1
14	105-00200	Rivet	2	2	2
	074-30027	Back Plate Assy.	1	1	1
15	064-30028	Back Plate	1	1	1
13	066-30026	Lining	1	1	1
14	105-00200	Rivet	2	2	2
16	075-30649	Torque Plate Assy.	1		
	075-30650	Torque Plate Assy.		1	
	075-30824	Torque Plate Assy			1

Illustrated Parts List

3000-250 (30-12), 3000-500 (30-13)

Organic Lining



Assy. Number

A) 3000-250 (30-12)

B) 3000-500 (30-13)

FIG.	PART NUMBER	DESCRIPTION	QTY. PER ASSY.	
			A	B
	091-00400	Cylinder Assy.	1	
	091-00500	Cylinder Assy.		1
1	061-00300	Cylinder	1	
	092-00200	Piston Assy.	2	2
2	101-02300	O-Ring (MS28775-218)	2	2
3	062-00300	Piston	2	2
	073-00200	Pressure Plate Assy.	1	1
4	066-10600	Lining	2	2
5	105-00200	Rivet	6	6
6	184-00100	Plate Assy.	1	1
	074-00200	Back Plate Assy.	2	2
7	064-00500	Back Plate	2	2
4	066-10600	Lining	2	2
5	105-00200	Rivet	6	6
8	069-00200	Anchor Bolt	2	2
9	094-10100	Nut (MS21042-6)	2	2
10	095-10100	Washer (AN960-616L)	2	2
11	071-00100	Cylinder-Retract	1	1
12	067-00400	Spacer	1	1
13	095-00200	Washer	1	1
14	082-00500	Spring	1	1
15	094-10200	Nut (NASM21083N3)	1	1
16	068-00200	Shim		1
	068-00800	Shim	1	
17	103-12100	Bolt (AN4H15A)	4	
	103-12300	Bolt (AN4H17A)		4
18	095-10200	Washer (AN960-416L)	4	4
	087-00200	Bleeder Body Assy.	1	1
19	077-00200	Body-Bleeder	1	1
20	079-00200	Screw-Bleeder	1	1
21	079-00100	Screw-Bleeder	1	1
22	101-00600	O-Ring (MS28775-011)	2	2
23	101-00300	O-Ring (MS28775-008)	1	1
24	075-00300	Torque Plate Assy.		1

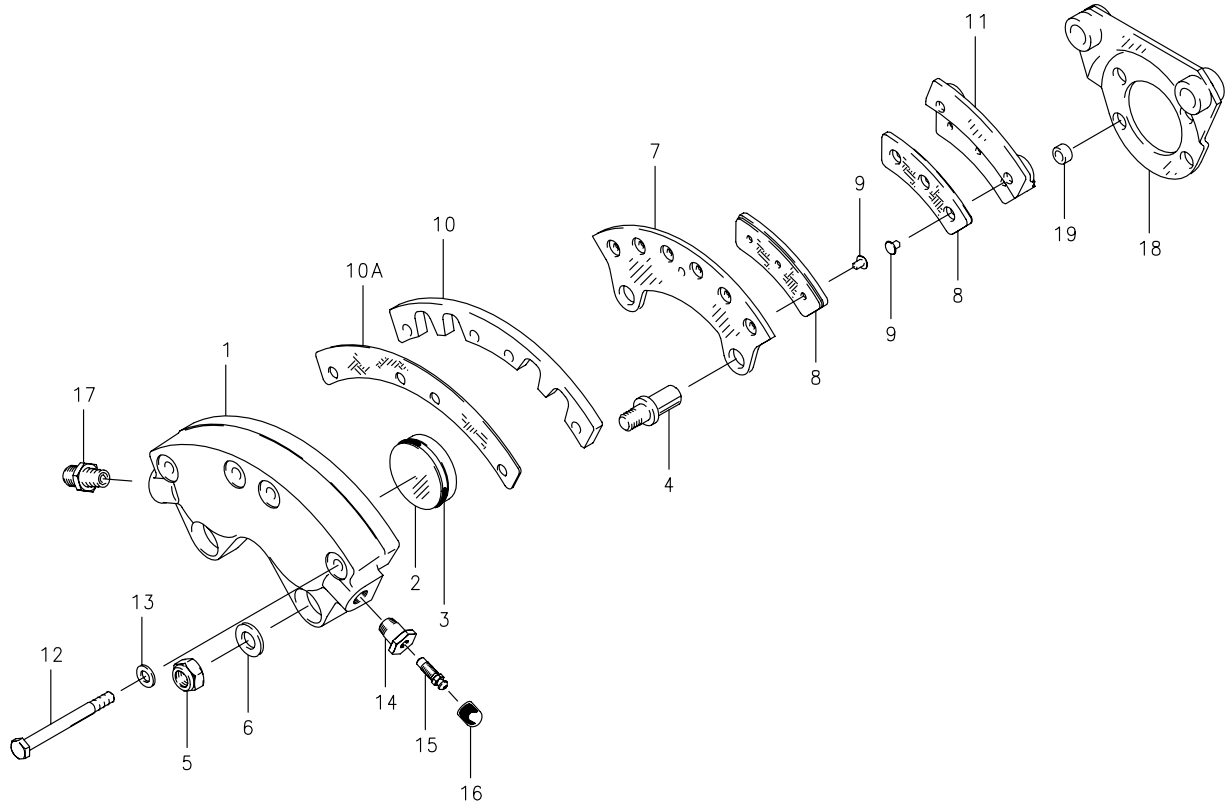
Cleveland
Wheels & Brakes



Illustrated Parts List

30-21, 30-24, 30-35, 30-41, 30-41A, 30-41B,
30-51, 30-51A, 30-51B, 30-60, 30-60A, 30-60B

Organic Lining



Illustrated Parts List

**30-21, 30-24, 30-35, 30-41, 30-41A, 30-41B,
30-51, 30-51A, 30-51B, 30-60, 30-60A, 30-60B**

Organic Lining

FIG.	PART NUMBER	DESCRIPTION	QTY. PER ASSY.											
			A	B	C	D	E	F	G	H	I	J	K	L
	091-08800	Cylinder Assy.						1						
	091-08901	Cylinder Assy.										1	1	
	091-12100	Cylinder Assy.								1	1			
1	061-06600	Cylinder	1	1		1	1	1						
	061-06701	Cylinder										1	1	
	061-07100	Cylinder								1	1			
	(5)	Cylinder				1			1			1		
	092-00200	Piston Assy.	2	2		2	2	2	2	2	2			
	092-00700	Piston Assy.			2							2	2	2
2	062-00300	Piston	2	2		2	2	2	2	2				
	062-00600	Piston			2							2	2	2
3	101-02300	O-Ring (MS28775-218)	2	2		2	2	2	2	2				
	101-02700	O-Ring (MS28775-222)			2							2	2	2
4	069-00200	Anchor Bolt	2	2	2	2	2	2	2	2	2	2	2	2
5	094-10100	Nut (MS21042-6)	2	2	2	2	2	2	2	2	2	2	2	2
6	095-10100	Washer (AN960-616L)	2	2	2	2	2	2	2	2	2	2	2	2
	073-00400	Pressure Plate Assy.	1	1		1	1	1	1					
	073-00900	Pressure Plate Assy.			1									
	073-04100	Pressure Plate Assy.								1	1	1	1	1
7	063-00600	Pressure Plate	1	1	1	1	1	1	1	1	1	1	1	1
8	066-10600	Lining	2	2	2	2	2	2	2	2	2	2	2	2
9	105-00200	Rivet	6	6	6	6	6	6	6	6	6	6	6	6
10	068-01200	Shim			1									
	068-00800	Shim				1	1							
	(5)	Shim	1	1					1					
10A	068-01100	Shim-Insulating			1									
	074-00200	Back Plate Assy.	2	2	2	2	2	2						
	074-02700	Back Plate Assy.								2	2	2	2	2
11	064-00500	Back Plate	2	2	2	2	2	2	2	2	2	2	2	2
8	066-10600	Lining	2	2	2	2	2	2	2	2	2	2	2	2
9	105-00200	Rivet	6	6	6	6	6	6	6	6	6	6	6	6
12	103-12200	Bolt (AN4H16A)	4	4	4				4	4	4			
	103-12100	Bolt (AN4H15A)				4			4			4	4	4
	103-11500	Bolt					4							
13	095-10200	Washer (AN960-416L)	4	4	4	4	4	4	4	4	4	4	4	4
14	081-00100	Seat-Bleeder	1	1	1	1	1	1	1	1	1	1	1	1
15	079-00300	Screw-Bleeder	1	1	1	1	1	1	1	1	1	1	1	1
16	183-00100	Cap-Bleeder	1	1	1	1	1	1	1	1	1	1	1	1
17	104-00300	Fitting (AN816-4D)	1			1	1	1	1	1				
	104-00400	Fitting (AN822-4D)		1										
	104-00500	Fitting (MS20823-4D)			1									
18	075-00500	Torque Plate Assy.												1
	075-01500	Torque Plate Assy.	1		1									
	075-02700	Torque Plate Assy.							1		1			
	075-03900	Torque Plate Assy.					1							
	075-08501	Torque Plate Assy.								1				
	075-12500	Torque Plate Assy.										1	1	
	(5)	Torque Plate Assy.		1										
19	145-01000	Bushing (3)	2		2									

Assy. Number

- A) 30-21 (1)
- B) 30-24 (1)
- C) 30-35 (1)
- D) 30-41 (1) (2)
- E) 30-41A (1)
- F) 30-41B
- G) 30-51 (1) (6)
- H) 30-51A
- I) 30-51B
- J) 30-60 (1) (4)
- K) 30-60A
- L) 30-60B

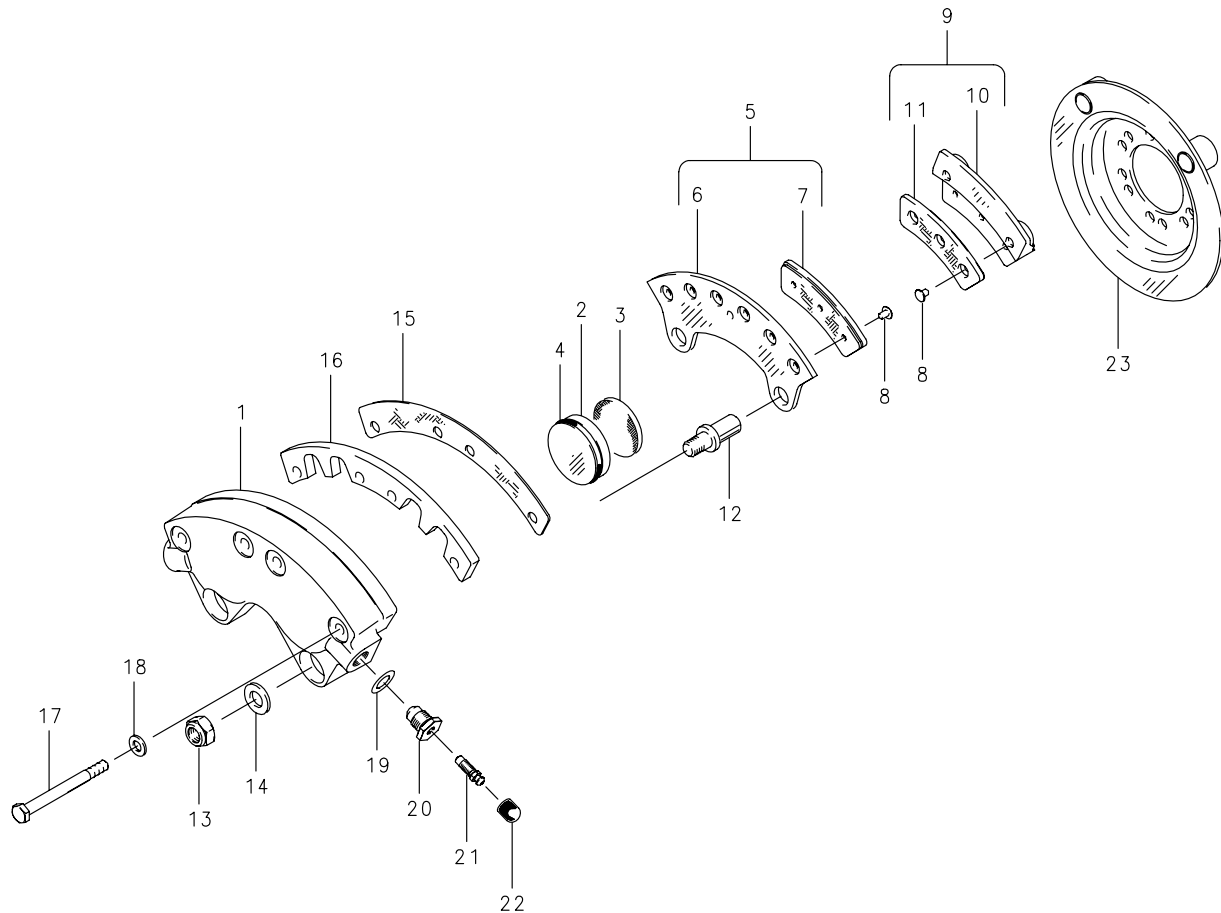
NOTES:

- (1) Inactive assembly – spares support only for parts listed.
- (2) 30-41 superseded by 30-41B.
- (3) Check position of bushing for proper replacement.
- (4) 30-60 superseded by 30-60A. 30-60A superseded by 30-60B.
- (5) Inactive part – no longer available for spares support.
- (6) 30-51 superseded by 30-51B.



30-32, 30-32A, 30-32B, 30-32C, 30-32E

Organic Lining



Illustrated Parts List

30-32, 30-32A, 30-32B, 30-32C, 30-32E

Organic Lining

FIG.	PART NUMBER	DESCRIPTION	QTY. PER ASSY.				
			A	B	C	D	E
	091-10200	Cylinder Assy.			1	1	
	091-19800	Cylinder Assy.					1
1	061-08300	Cylinder			1	1	1
	(2)	Cylinder	1	1			
	092-00900	Piston Assy.	2	2	2	2	2
2	062-00800	Piston	2	2	2	2	2
3	088-00200	Insulator	2	2	2	2	2
4	101-02300	O-Ring (MS28775-218)	2	2	2	2	2
5	073-00400	Pressure Plate Assy.		1	1	1	1
	(2)	Pressure Plate Assy.	1				
6	063-00600	Pressure Plate	1	1	1	1	1
7	066-10600	Lining		2	2	2	2
	(2)	Lining	2				
8	105-00200	Rivet		6	6	6	6
	(2)	Pin	4				
9	074-00200	Back Plate Assy.		2	2	2	2
	(2)	Back Plate Assy.	2				
10	064-00500	Back Plate	2	2	2	2	2
11	066-10600	Lining		2	2	2	2
	(2)	Lining	2				
8	105-00200	Rivet		6	6	6	6
	(2)	Pin	4				
12	069-00200	Anchor Bolt	2	2	2	2	
	069-02600	Anchor Bolt					2
13	094-10100	Nut (MS21042-6)		2	2	2	2
14	095-10100	Washer (AN960-616L)		2	2	2	2
15	068-01100	Shim-Insulator	1	1	1	1	1
16	068-01200	Shim-Back Plate	1	1			
17	103-12000	Bolt	4	4	4	4	4
18	095-10200	Washer (AN960-416L)	4	4	4	4	4
19	101-00700	O-Ring (MS28775-012)	1	1	1	1	1
20	081-00200	Seat-Bleeder	1	1	1	1	1
21	079-00300	Screw-Bleeder	1	1	1	1	1
22	183-00100	Cap-Bleeder	1	1	1	1	1
23	075-02100	Torque Plate Assy.	1	1		1	
	075-02101	Torque Plate Assy.			1		
	075-05401	Torque Plate Assy.					1

Assy. Number

A) 30-32 (1)

B) 30-32A (1)

C) 30-32B

D) 30-32C

E) 30-32E

NOTES:

(1) Inactive assembly – spares support only for parts listed.

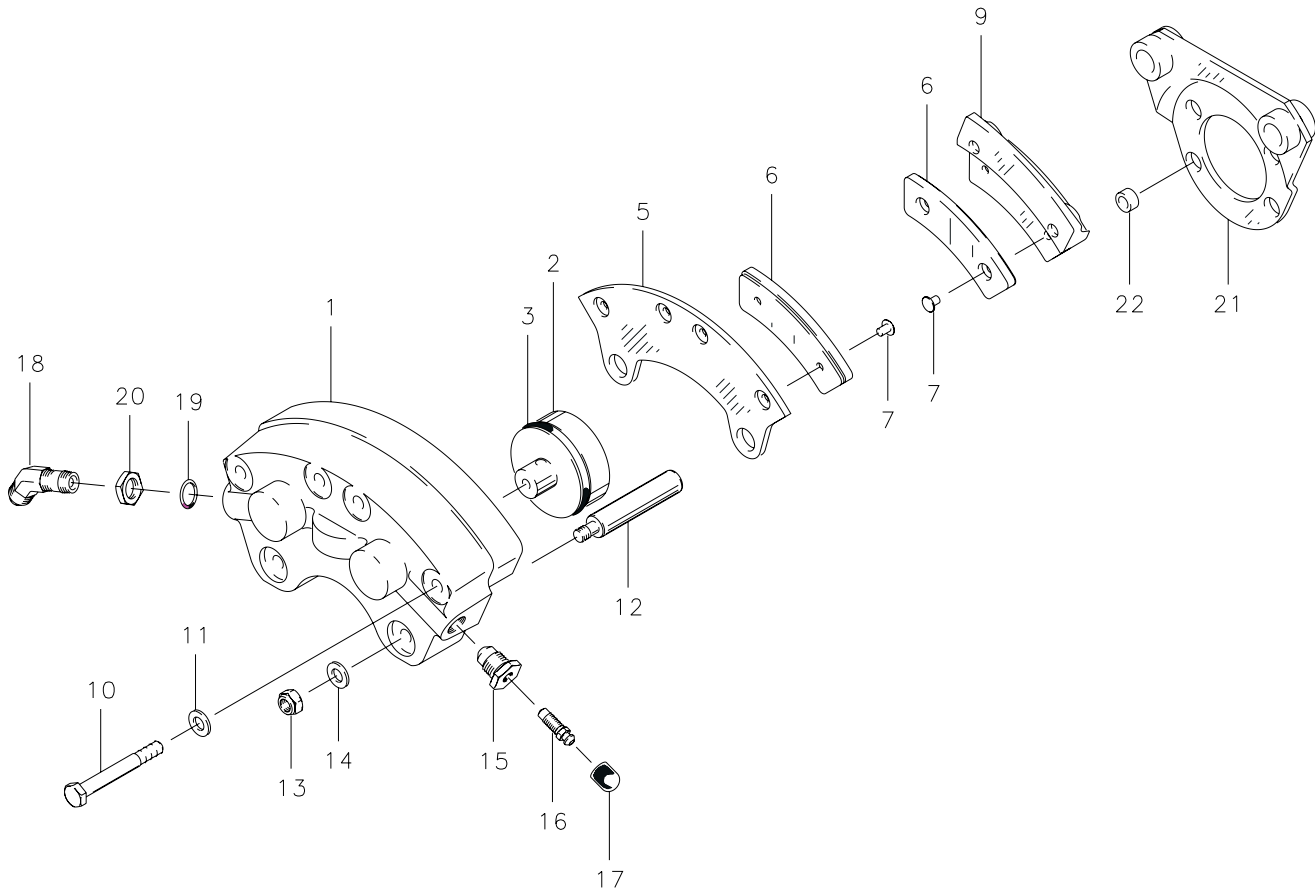
(2) Inactive part – no longer available for spares support.



Illustrated Parts List

30-52, 30-52A, 30-52B, 30-52D, 30-52E, 30-52F, 30-52G, 30-52H, 30-52K, 30-52L, 30-52M, 30-52N

Organic Lining



NOTES:

- (1) Use with 075-11700(LH) and 075-11750(RH) Torque Plates.
- (2) 30-52 supersedes 30-52G.
- (3) When reordering, specify LH or RH.
- (4) 30-52N supersedes 30-52D when reordering.
- (5) Use with 075-07500(LH) and 075-07600(RH) Torque Plates – order from airframe manufacturer only.
- (6) Inactive assembly – spares support only for parts listed.
- (7) Inactive part – no longer available for spares support.

Illustrated Parts List

30-52, 30-52A, 30-52B, 30-52D, 30-52E, 30-52F, 30-52G, 30-52H, 30-52K, 30-52L, 30-52M, 30-52N

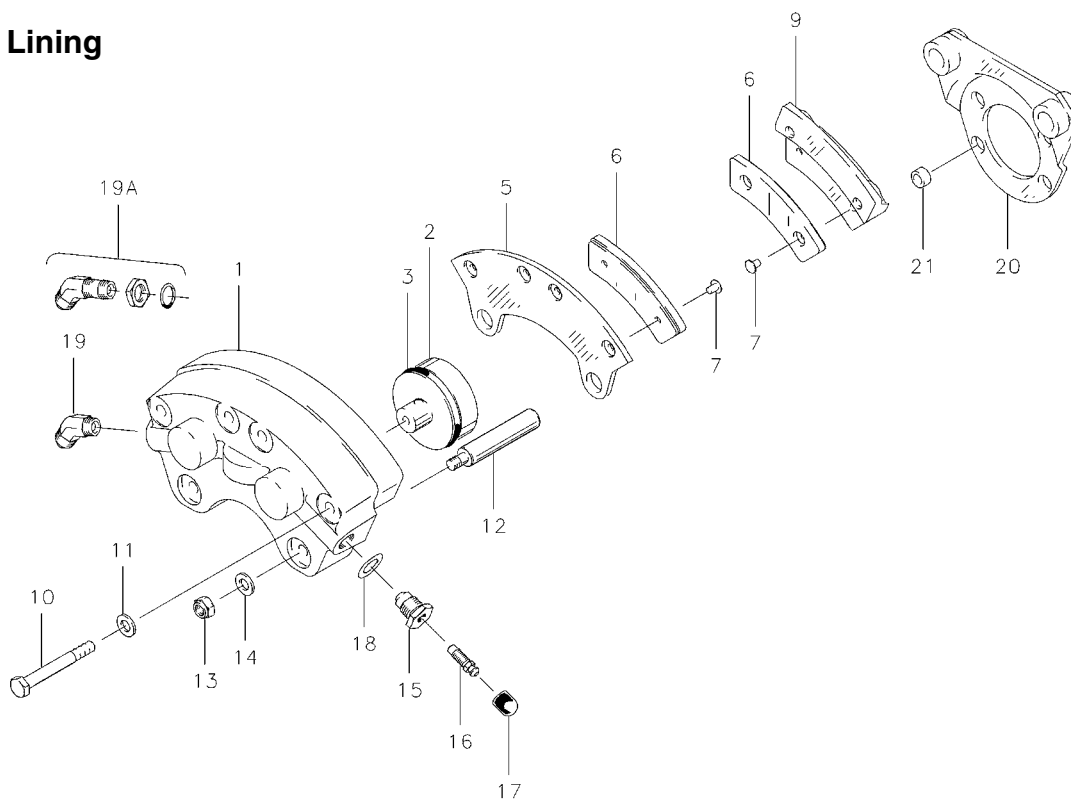
FIG.	PART NO.	DESCRIPTION	PER ASSY.													
			30-52	30-52A	30-52B	30-52D (4) (6)	30-52E	30-52F	30-52G (2) (6)	30-52H (1) (3)	30-52K	30-52L (5)	30-52M	30-52N		
1	091-02100	Cylinder Assembly	1	1	1	1	1	1	1	1						1
	091-02101	Cylinder Assembly									1					
	091-02103	Cylinder Assembly														
	091-05100	Cylinder Assembly												1		
	061-01800	Cylinder	1	1	1	1	1	1	1	1	1	1	1	1	1	1
	061-01801	Cylinder									1					
	061-03600	Cylinder										1				
	092-01600	Piston Assembly	2	2	2	2	2	2	2	2	2	2	2	2	2	2
2	062-01500	Piston	2	2	2	2	2	2	2	2	2	2	2	2	2	2
3	101-02700	O-Ring (MS28775-222)	2	2	2	2	2	2	2	2	2	2	2	2	2	2
4	073-01000	Pressure Plate Assy	1	1	1	1	1	1	1	1	1	1	1	1	1	1
5	063-01100	Pressure Plate	1	1	1	1	1	1	1	1	1	1	1	1	1	1
6	066-10500	Lining	2	2	2	2	2	2	2	2	2	2	2	2	2	2
7	105-00200	Rivet	4	4	4	4	4	4	4	4	4	4	4	4	4	4
8	074-01000	Back Plate Assy	2	2	2	2	2	2	2	2	2	2	2	2	2	2
9	064-01500	Back Plate	2	2	2	2	2	2	2	2	2	2	2	2	2	2
6	066-10500	Lining	2	2	2	2	2	2	2	2	2	2	2	2	2	2
7	105-00200	Rivet	4	4	4	4	4	4	4	4	4	4	4	4	4	4
10	103-11800	Bolt	4	4	4	4	4	4	4	4	4	4		4	4	4
	103-12400	Bolt (AN4H21A)											4			
11	095-10400	Washer (AN960-416)	4	4	4	4	4	4	4	4	4	4	4	4	4	4
12	069-00400	Anchor Bolt	2	2	2	2	2	2	2	2	2	2	2	2	2	2
13	094-10300	Nut (MS21044-N4)	2	2	2	2	2	2	2	2	2	2	2	2	2	2
14	095-10200	Washer (AN960-416L)	2	2	2	2	2	2	2	2	2	2	2	2	2	2
15	081-00100	Seat-Bleeder	1	1	1	1	1	1	1	1	1	1		1	1	1
	081-00200	Seat-Bleeder											1			
16	079-00300	Screw-Bleeder	1	1	1	1	1	1	1	1	1	1	1	1	1	1
17	183-00100	Cap-Bleeder	1	1	1	1	1	1	1	1	1	1	1	1	1	1
18	104-00500	Fitting (MS20823-4D)		1											1	
	104-02000	Fitting (AN837-4D)											1			
19	101-00700	O-Ring (MS28775-012)											1			
20	094-90500	Nut (AN924-4D)											1			
21	075-01500	Torque Plate Assembly	1						1	S						
	075-01501	Torque Plate Assembly		1						E						
	075-04400	Torque Plate Assembly			1					E						
	075-05300	Torque Plate Assembly						1								
	075-05301	Torque Plate Assembly					1			N						
	075-05401	Torque Plate Assembly								O					1	
	075-05402	Torque Plate Assembly								T						
	075-07300	Torque Plate Assembly								E				1		
	075-08600	Torque Plate Assembly								S						
075-13600 (7)	Torque Plate Assembly				1						1					
22	145-01000	Bushing	2			2			2		2		3		2	

4

Illustrated Parts List

30-52P, 30-52Q, 30-52S, 30-52T, 30-52U, 30-52V, 30-52W, 30-52X, 30-52Y, 30-52Z,
30-52AA, 30-52AB, 30-52AC

Organic Lining



NOTES:

- (1) Use with 075-09200(LH) and 075-09300(RH) Torque Plates.
- (2) Use with 075-13800(LH) and 075-13850(RH) Torque Plates.
- (3) When reordering, specify LH or RH.
- (4) 30-52Y to be used with 40-75J corrosive resistant equipment.
- (5) Inactive assembly – spares support only for parts listed.
- (6) Use with 075-22800 (LH) and 075-22850 (RH) Torque Plates.
- (7) Use with 075-23100 (LH) and 075-23150 (RH) Torque Plates.
- (8) Use with 075-23800 (LH) and 075-23850 (RH) Torque Plates.

FIG.	PART NO.	DESCRIPTION	PER ASSY.											
			30-52P	30-52Q	30-52S (1)	30-52T	30-52U	30-52V (2) (3)	30-52W	30-52X (5)	30-52Y (4)	30-52Z (3) (6)	30-52AA (3) (7)	30-52AB
1	091-02100	Cylinder Assembly			1					1		1		
	091-02103	Cylinder Assembly								1				
	091-02104	Cylinder Assembly											1	
	091-02105	Cylinder Assembly												1
	091-05300	Cylinder Assembly	1											
	091-05800	Cylinder Assembly		1		1								
	091-10600	Cylinder Assembly						1						
	091-10601	Cylinder Assembly					1		1					
091-10602	Cylinder Assembly									1				
	061-01800	Cylinder			1					1		1	1	1
	061-01802	Cylinder		1		1								
	061-01804	Cylinder								1				
	061-04200	Cylinder	1											
	061-08500	Cylinder						1						
061-08501	Cylinder					1		1		1				

(Continued on next page)

Illustrated Parts List

**30-52P, 30-52Q, 30-52S, 30-52T, 30-52U, 30-52V, 30-52W, 30-52X, 30-52Y, 30-52Z,
30-52AA, 30-52AB, 30-52AC**

(Continued from previous page)

FIG.	PART NO.	DESCRIPTION	PER ASSY.												
			30-52P	30-52Q	30-52S (1)	30-52T	30-52U	30-52V (2) (3)	30-52W	30-52X (5)	30-52Y (4)	30-52Z (3) (6)	30-52AA (3) (7)	30-52AB	30-52AC (3) (8)
	092-01600	Piston Assembly	2	2	2	2	2	2	2	2	2	2	2	2	2
	092-07200	Piston Assembly									2				
	092-08500	Piston Assembly											2		
2	062-01500	Piston	2	2	2	2	2	2	2	2	2	2	2	2	
	062-07300	Piston								2					
3	101-02700	O-Ring (MS28775-222)	2	2	2	2	2	2	2	2	2	2	2	2	
	101-34500	O-Ring (M83461/1-222)											2		
4	073-01000	Pressure Plate Assy	1	1	1	1	1		1	1		1	1	1	
	073-04200	Pressure Plate Assy						1			1				
5	063-01100	Pressure Plate	1	1	1	1	1	1	1	1	1	1	1	1	
6	066-10500	Lining	2	2	2	2	2	2	2	2	2	2	2	2	
7	105-00200	Rivet	4	4	4	4	4	4	4	4	4	4	4	4	
8	074-01000	Back Plate Assy	2	2	2	2	2		2	2		2	2	2	
	074-02900	Back Plate Assy						2		2					
9	064-01500	Back Plate	2	2	2	2	2	2	2	2	2	2	2	2	
6	066-10500	Lining	2	2	2	2	2	2	2	2	2	2	2	2	
7	105-00200	Rivet	4	4	4	4	4	4	4	4	4	4	4	4	
10	103-11800	Bolt	4	4	4	4	4	4	4	4	4	4	4	4	
11	095-10400	Washer (AN960-416)	4	4	4	4	4	4	4	4	4	4	4	4	
12	069-00400	Anchor Bolt	2	2	2	2	2	2	2	2		2	2		
	069-01900	Anchor Bolt								2					
	069-03100	Anchor Bolt									2			2	
13	094-10300	Nut (MS21044-N4)	2	2	2	2	2	2	2	2	2	2	2	2	
14	095-10200	Washer (AN960-416L)	2	2	2	2	2	2	2	2	2	2	2	2	
15	081-00100	Seat-Bleeder	1	1	1	1				1		1	1	1	
	081-00500	Seat-Bleeder					1	1	1			1			
16	079-00300	Screw-Bleeder	1	1	1	1	1	1	1	1	1	1	1	1	
17	183-00100	Cap-Bleeder	1	1	1	1	1	1	1	1	1	1	1	1	
18	101-00600	O-Ring (MS28775-011)					1	1	1			1			
19	104-00500	Fitting (MS20823-4D)			1								1		
19A	104-11200	Fitting										1			
20	075-01500	Torque Plate Assembly			S		1	S				S	S	1	S
	075-01501	Torque Plate Assembly			E			E				E	E		E
	075-04400	Torque Plate Assembly			E			E				E	E		E
	075-05300	Torque Plate Assembly													
	075-05301	Torque Plate Assembly			N			N			1	N	N		N
	075-05401	Torque Plate Assembly			O	1		O	1	1		O	O		O
	075-05402	Torque Plate Assembly		1	T			T				T	T		T
	075-07300	Torque Plate Assembly			E			E				E	E		E
	075-08600	Torque Plate Assembly	1		S			S				S	S		S
21	145-01000	Bushing				2	2		2	2	2	2	2		



Illustrated Parts List

30-54, 30-54A, 30-54B, 30-54C, 30-58A, 30-58B, 30-61, 30-61D, 30-61E, 30-61F, 30-65, 30-65A, 30-65E

Organic Lining

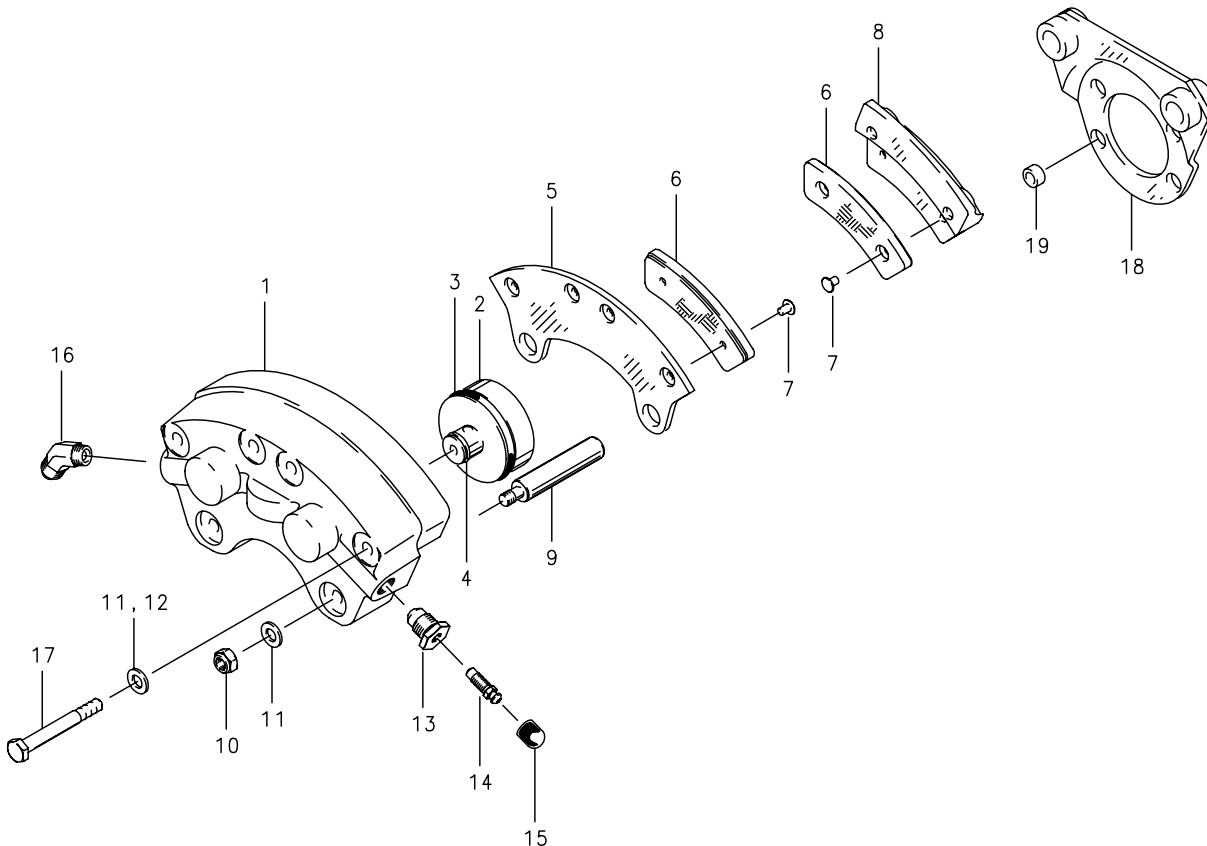


FIG.	PART NO.	DESCRIPTION	PER ASSY.											
			30-54	30-54A	30-54B	30-54C	30-58A (1)	30-58B (1)	30-61	30-61D	30-61E	30-61F (1)	30-65	30-65A
	091-02100	Cylinder Assembly										1		
	091-02400	Cylinder Assembly											1	
	091-02401	Cylinder Assembly												1
	091-02501	Cylinder Assembly	1	1										
	091-02800	Cylinder Assembly						1						
	091-03800	Cylinder Assembly							1					
	091-04100	Cylinder Assembly								1				
	091-09200	Cylinder Assembly			1									
	091-15200	Cylinder Assembly				1								
1	061-01800	Cylinder										1		
	061-01802	Cylinder											1	
	061-02400	Cylinder	1	1	1	1	1	1	1	1	1			1
	092-01600	Piston Assembly	2	2	2	2	2	2		2	2	2	2	2
	092-02100	Piston Assembly							2					
2	062-01500	Piston	2	2	2	2	2	2		2	2	2	2	2
	062-01900	Piston							2					

(Continued on next page)

Illustrated Parts List

30-54, 30-54A, 30-54B, 30-54C, 30-58A, 30-58B, 30-61, 30-61D, 30-61E, 30-61F, 30-65, 30-65A, 30-65E

Organic Lining

(Continued from previous page)

FIG.	PART NO.	DESCRIPTION	PER ASSY.												
			30-54	30-54A	30-54B	30-54C	30-58A (1)	30-58B (1)	30-61	30-61D	30-61E	30-61F (1)	30-65	30-65A	30-65E
3	101-02700	O-Ring (MS28775-222)	2	2	2	2	2	2	2	2	2	2	2	2	2
4	082-02000	Spring-Friction								2					
	073-01000	Pressure Plate Assembly	1	1					1	1			1		1
	073-04200	Pressure Plate Assembly			1						1			1	
	073-06700	Pressure Plate Assembly				1									
	(2)	Pressure Plate Assembly					1	1				1			
5	063-01100	Pressure Plate	1	1	1	1	1	1	1	1	1	1	1	1	1
6	066-10500	Lining	2	2	2	2			2	2	2		2	2	2
	(2)	Lining					2	2				2			
7	105-00200	Rivet	4	4	4	4	4	4	4	4	4	4	4	4	4
	074-01000	Back Plate Assembly							2	2			2		
	074-01001	Back Plate Assembly	2	2											
	074-02900	Back Plate Assembly									2			2	2
	074-03500	Back Plate Assembly			2										
	074-05100	Back Plate Assembly				2									
	(2)	Back Plate Assembly					2	2				2			
8	064-01500	Back Plate	2	2	2	2	2	2	2	2	2	2	2	2	2
6	066-10500	Lining	2	2	2	2			2	2	2		2	2	2
	(2)	Lining					2	2				2			
7	105-00200	Rivet	4	4	4	4	4	4	4	4	4	4	4	4	4
9	069-00400	Anchor Bolt	2	2	2	2	2	2	2	2		2	2	2	
	069-01900	Anchor Bolt									2				2
10	094-10300	Nut (MS21044-N4)	2	2	2	2	2	2	2	2	2	2	2	2	2
11	095-10200	Washer (AN960-416L)	6	6	6	6	6	6	6	6	6	6	6	6	6
12	095-10400	Washer (AN960-416)											4	4	4
13	081-00100	Seat-Bleeder	1	1	1	1	1	1	1	1	1	1	1	1	1
14	079-00300	Screw-Bleeder	1	1	1	1	1	1	1	1	1	1	1	1	1
15	183-00100	Cap-Bleeder	1	1	1	1	1	1	1	1	1	1	1	1	1
16	104-00300	Fitting (AN8164D)					1	1							1
	104-00500	Fitting (MS20823-4D)	1	1		1			1		1	1			
17	103-11800	Bolt	4	4	4	4			4	4	4	4	4	4	4
	103-12400	Bolt (AN4H21A)					4	4							
18	075-00500	Torque Plate Assembly													1
	075-01500	Torque Plate Assembly							1	1	1	1			
	075-03300	Torque Plate Assembly	1												
	075-03301	Torque Plate Assembly		1		1									
	075-03900	Torque Plate Assembly											1		
	075-12600	Torque Plate Assembly			1										
	075-13000	Torque Plate Assembly												1	
(2)	Torque Plate Assembly					1									
19	145-01000	Bushing							2	2	2	2			

NOTES:

- (1) Inactive assembly – spares support only for parts listed.
- (2) Inactive part – no longer available for spares support.

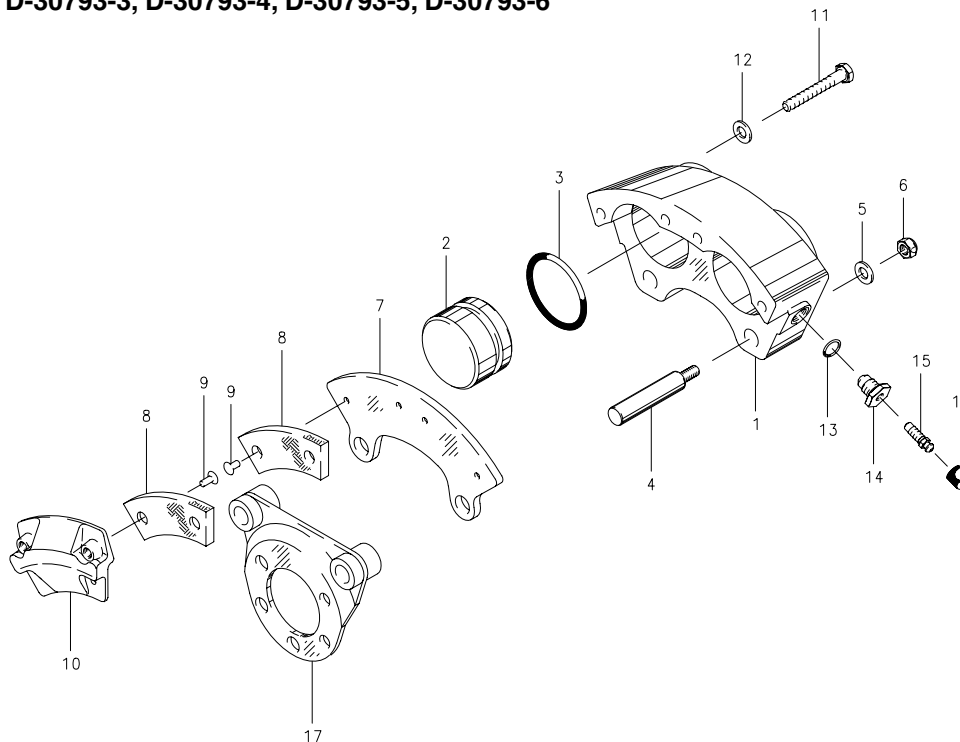


**D-30118-3, D-30118-4, D-30118-5, D-30118-6, D-30118-7, D-30118-8,
 D-30118-9, D-30118-10, D-30793-3, D-30793-4, D-30793-5, D-30793-6**

Organic Lining

Assy. Number

- A) D-30118-3 (3) (4)
- B) D-30118-4 (3) (4)
- C) D-30118-5 (3) (5)
- D) D-30118-6 (3) (5)
- E) D-30118-7 (3)
- F) D-30118-8 (3)
- G) D-30118-9
- H) D-30118-10
- I) D-30793-3 (3) (6)
- J) D-30793-4 (3) (6)
- K) D-30793-5 (3)
- L) D-30793-6 (3)



NOTES:

- (1) Cylinder sub-assembly includes anchor bolts, nuts and washers to attach.
- (2) All brake assemblies listed were formerly manufactured by "McCaughey Industrial Corporation".
- (3) Inactive assembly – spares support only for parts listed.
- (4) Superseded by 30-52U per Cessna Service Bulletin SEB00-5. Also superseded by conversion kit. See Conversion Kit Directory for applicable Aircraft model.
- (5) Superseded equipment – refer to Cessna Service Bulletin SEB00-5 and Cessna Service Kit SK182-120 for replacement wheels and brakes.
- (6) Superseded by 30-241.
- (7) Inactive part – no longer available for spares support.

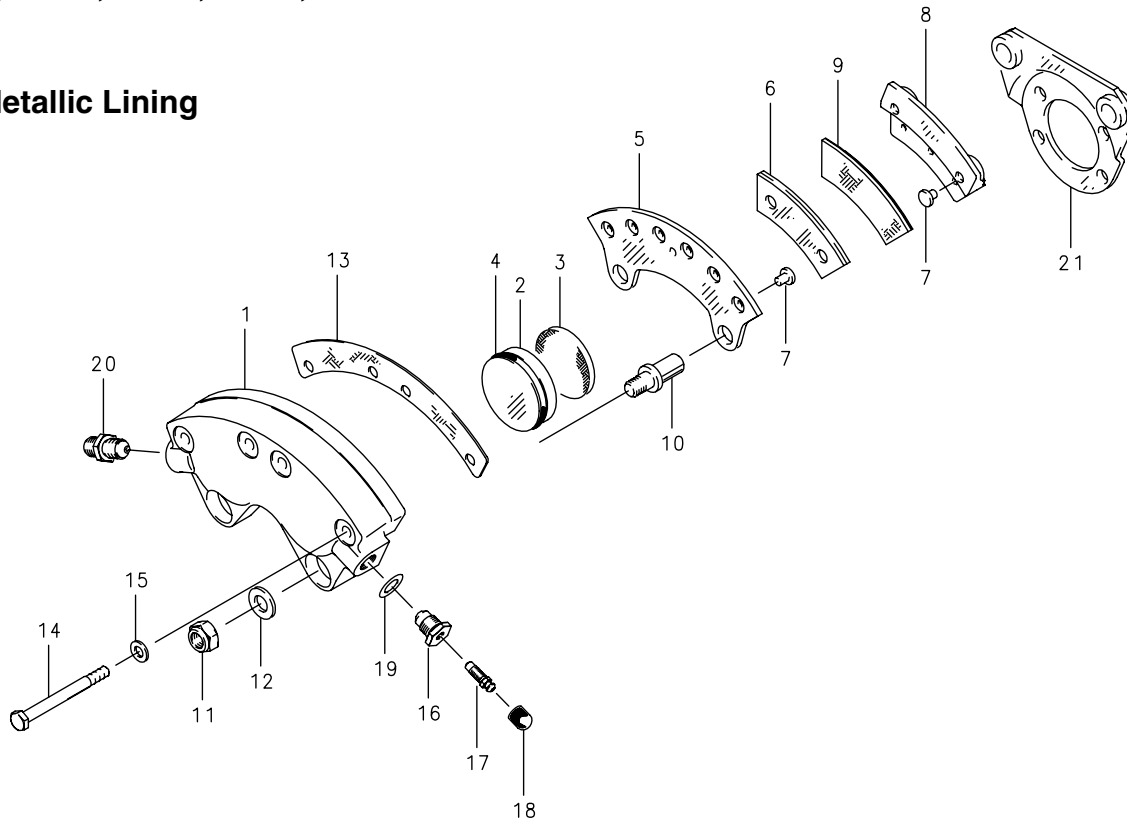
FIG.	PART NUMBER	DESCRIPTION	QTY. PER ASSY.											
			A	B	C	D	E	F	G	H	I	J	K	L
	091-30118	Cylinder Assembly	1	1	1	1	1	1	1	1	1	1	1	1
	091-30793	Cylinder Assembly										1	1	1
	(7)	Cylinder Sub-Assembly (1)	1	1	1	1	1	1	1	1	1	1	1	1
1	(7)	Cylinder	1	1	1	1	1	1	1	1	1	1	1	1
2	062-30161	Piston	2	2	2	2	2	2	2	2	2	2	2	2
3	101-02700	O-Ring (MS28775-222)	2	2	2	2	2	2	2	2	2	2	2	2
4	069-30644	Anchor Bolt	2	2	2	2	2	2	2	2	2	2	2	2
5	095-10200	Washer (AN960-416L)	2	2	2	2	2	2	2	2	2	2	2	2
6	094-15200	Nut	2	2	2	2	2	2	2	2	2	2	2	2
3)	073-30113	Pressure Plate Assy.	1	1	1	1	1	1	1	1	1	1	1	1
7	063-30112	Plate-Pressure	1	1	1	1	1	1	1	1	1	1	1	1
8	066-30026	Lining	2	2	2	2	2	2	2	2	2	2	2	2
9	105-00200	Rivet	4	4	4	4	4	4	4	4	4	4	4	4
	074-30027	Back Plate Assy.	2	2	2	2	2	2	2	2	2	2	2	2
10	064-30028	Plate-Back	2	2	2	2	2	2	2	2	2	2	2	2
8	066-30026	Lining	2	2	2	2	2	2	2	2	2	2	2	2
9	105-00200	Rivet	4	4	4	4	4	4	4	4	4	4	4	4
11	103-14300	Bolt	4	4	4	4	4	4	4	4	4	4	4	4
12	095-10400	Washer (AN960-416)	4	4	4	4	4	4	4	4	4	4	4	4
13	101-00600	O-Ring (MS28775-011)	1	1	1	1	1	1	1	1	1	1	1	1
14	081-30169	Seat-Bleeder	1	1	1	1	1	1	1	1	1	1	1	1
15	079-00300	Screw-Bleeder	1	1	1	1	1	1	1	1	1	1	1	1
16	183-00100	Cap-Bleeder	1	1	1	1	1	1	1	1	1	1	1	1
17	075-30107-1	Torque Plate Assy.	1									1		
	075-30107-2	Torque Plate Assy.		1									1	
	075-30107-3	Torque Plate Assy.							1					
	075-30107-4	Torque Plate Assy.								1				
	075-30278-1	Torque Plate Assy.			1		1							1
	075-30278-2	Torque Plate Assy.				1		1						1

Illustrated Parts List

**Brake Assembly – 6" External
Single Cylinder, Dual Piston**

30-23, 30-23A, 30-23B, 30-23C, 30-23D

Metallic Lining



Assy. Number

- A) 30-23 (3) (4)
- B) 30-23A (1) (2) (4)
- C) 30-23B (4)
- D) 30-23C (4)
- E) 30-23D (4)

NOTES:

- (1) Inactive assembly – spares support only for parts listed.
- (2) 30-23C supersedes 30-23A.
- (3) 30-23: 061-06500 Cylinder supersedes 061-01000 Cylinder & 068-01200 Shim.
- (4) Torque plate, Item 21, supplied by airframe manufacturer.
- (5) Inactive part – no longer available for spares support.

FIG.	PART NUMBER	DESCRIPTION	QTY. PER ASSY.				
			A	B	C	D	E
	091-01300	Cylinder Assy.	1				
	091-08600	Cylinder Assy.				1	
	091-19100	Cylinder Assy.					1
1	061-06500	Cylinder	1		1	1	1
	(5)	Cylinder		1			
	092-00800	Piston Assy.	2	2	2	2	2
2	062-00700	Piston	2	2	2	2	2
3	088-00100	Insulator	2	2	2	2	2
4	101-02700	O-Ring (MS28775-222)	2	2	2	2	2
	073-03800	Pressure Plate Assy.	1	1	1	1	1
5	063-00600	Pressure Plate	1	1	1	1	1
6	066-06500	Lining	2	2	2	2	2
7	177-00300	Pin	4	4	4	4	4
	074-02300	Back Plate Assy.	2	2	2	2	2
8	064-00500	Back Plate	2	2	2	2	2
9	066-06200	Lining	2	2	2	2	2
	177-00300	Pin	4	4	4	4	4
10	069-00200	Anchor Bolt	2	2	2	2	2
	069-02600	Anchor Bolt					2
11	094-10100	Nut (MS21042-6)	2	2	2	2	2
12	095-10100	Washer (AN960-616L)	2	2	2	2	2
13	068-01100	Shim-Insulator	1	1	1	1	1
14	103-12200	Bolt (AN4H16A)	4	4	4	4	4
15	095-10200	Washer (AN960-416L)	4	4	4	4	4
16	081-00200	Seat-Bleeder	1	1	1	1	1
17	079-00300	Screw-Bleeder	1	1	1	1	1
18	0183-00100	Cap-Bleeder	1	1	1	1	1
19	101-00700	O-Ring (MS28775-012)	2	2	2	2	2
20	104-00200	Fitting (AN815-4D)	1		1		
	104-02200	Fitting (AN919-2D)		1		1	1

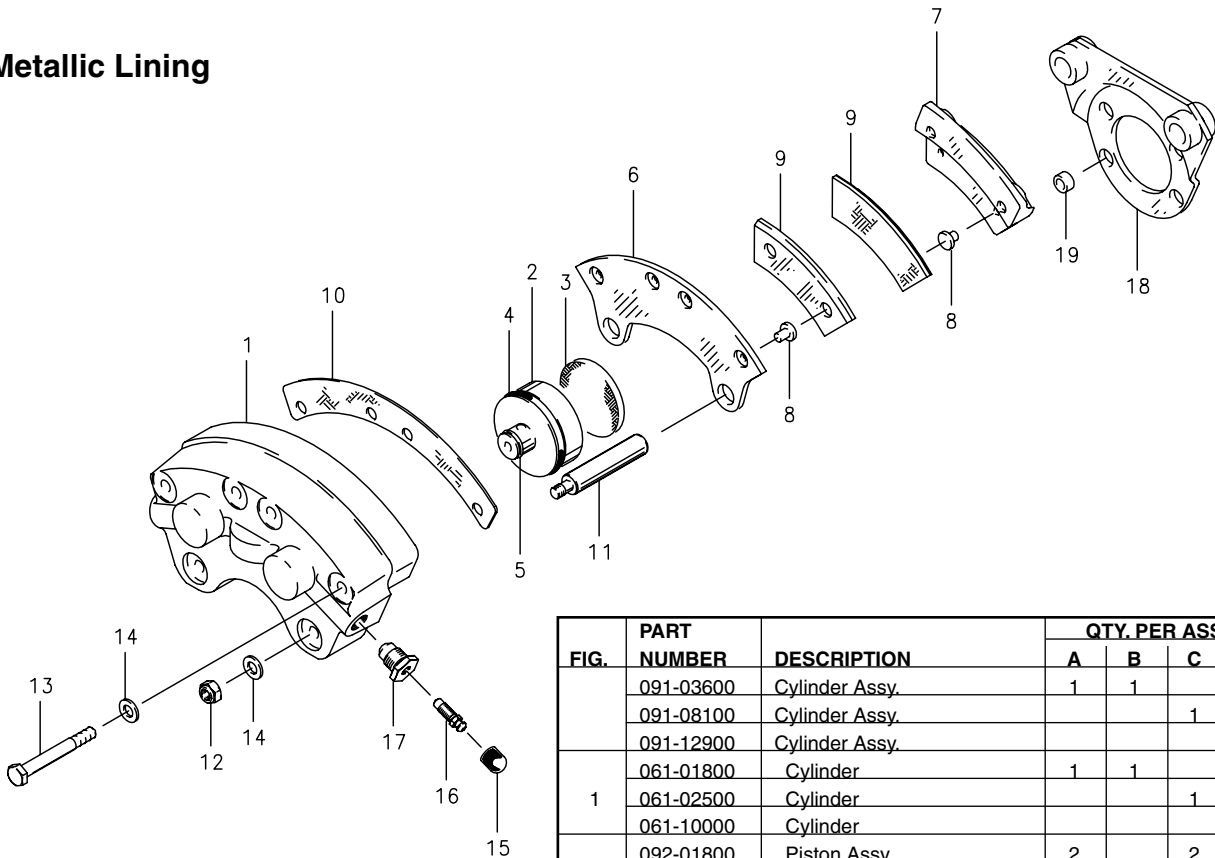


Illustrated Parts List

**Brake Assembly – 6" External
Single Cylinder, Dual Piston**

30-61A, 30-61B, 30-83, 30-83A

Metallic Lining



Assy. Number

- A) 30-61A (1)
- B) 30-61B (2)
- C) 30-83
- D) 30-83A

NOTES:

- (1) Inactive assembly – spares support only for parts listed.
- (2) This brake is not FAA-TSO approved – order from airframe manufacturer only.

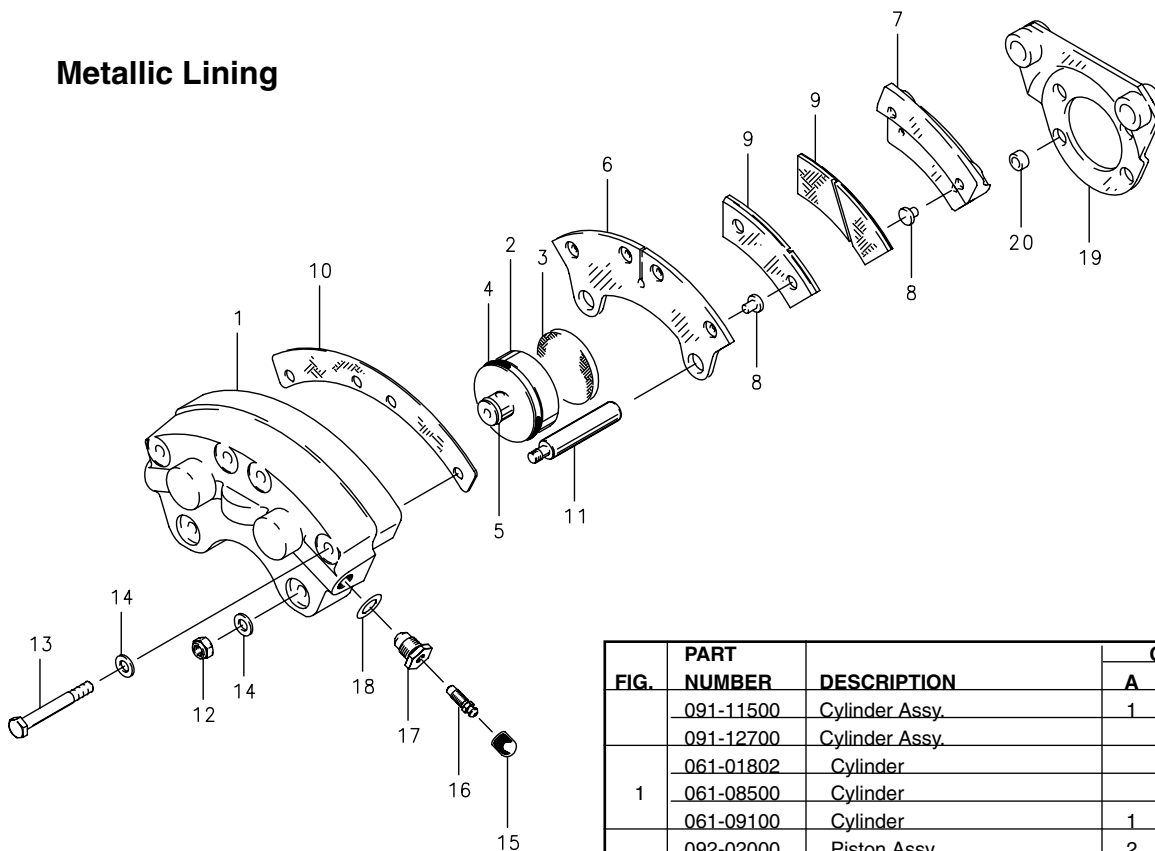
FIG.	PART NUMBER	DESCRIPTION	QTY. PER ASSY.			
			A	B	C	D
	091-03600	Cylinder Assy.	1	1		
	091-08100	Cylinder Assy.			1	
	091-12900	Cylinder Assy.				1
1	061-01800	Cylinder	1	1		
	061-02500	Cylinder			1	
	061-10000	Cylinder				1
	092-01800	Piston Assy.	2		2	2
2	092-02000	Piston Assy.		2		
	062-01700	Piston	2		2	2
	062-01800	Piston		2		
3	088-00100	Insulator	2	2	2	2
4	101-02700	O-Ring (MS28775-222)	2	2	2	2
5	082-02000	Spring-Friction		2		
	073-01600	Pressure Plate Assy.	1	1		
6	073-02700	Pressure Plate Assy.			1	1
	063-01100	Pressure Plate	1	1	1	1
	074-01400	Back Plate Assy.	2	2		
	074-03000	Back Plate Assy.			2	2
	7	064-01500	Back Plate	1	1	1
8	177-00300	Pin-Lining	8	8	8	8
	9	066-03600	Lining	4	4	
		066-06200	Lining			4
10	068-01100	Shim-Insulator	1	1	1	1
11	069-00400	Anchor Bolt	2	2	2	2
12	094-10300	Nut (MS21044-N4)	2	2	2	2
	103-11700	Bolt			4	4
	103-11800	Bolt	4			
13	103-12400	Bolt (AN4H21A)		4		
	14	095-10200	Washer (AN960-416L)	6		6
		095-10400	Washer (AN960-416)		6	
15	183-00100	Cap-Bleeder	1	1	1	1
16	079-00300	Screw-Bleeder	1	1	1	1
17	081-00100	Seat-Bleeder	1	1	1	1
18	075-01500	Torque Plate Assy.	1	1		
	075-03900	Torque Plate Assy.			1	1
19	145-01000	Bushing-T.P.	2	2		

Illustrated Parts List

**Brake Assembly – 6" External
Single Cylinder, Dual Piston**

30-127, 30-127A, 30-127C, 30-127D

Metallic Lining



Assy. Number

- A) 30-127
- B) 30-127A
- C) 30-127C (1) (2)
- D) 30-127D

NOTES:

- (1) Uses 075-13800 Torque Plate Assy. for left hand brake and 075-13850 for right hand brake.
- (2) When reordering, specify LH or RH.

FIG.	PART NUMBER	DESCRIPTION	QTY. PER ASSY.			
			A	B	C	D
	091-11500	Cylinder Assy.	1			
	091-12700	Cylinder Assy.		1	1	1
1	061-01802	Cylinder				
	061-08500	Cylinder		1	1	1
	061-09100	Cylinder	1			
	092-02000	Piston Assy.	2	2	2	2
2	062-01800	Piston	2	2	2	2
3	088-00100	Insulator	2	2	2	2
4	101-02700	O-Ring (MS28775-222)	2	2	2	2
5	082-02000	Spring-Friction	2	2	2	2
	073-05800	Pressure Plate Assy	1	1	1	1
6	063-04500	Pressure Plate	1	1	1	1
	074-03000	Back Plate Assy.	2	2	2	2
7	064-01500	Back Plate	2	2	2	2
8	177-00300	Pin-Lining	8	8	8	8
9	066-06200	Lining	4	4	4	4
10	068-01100	Shim-Insulator	1	1	1	1
11	069-00400	Anchor Bolt	2	2	2	1
12	094-10300	Nut (MS21044-N4)	2	2	2	2
13	103-11800	Bolt	4	4	4	4
14	095-10400	Washer (AN960-416)	6	6	6	6
15	183-00100	Cap-Bleeder	1	1	1	1
16	079-00300	Screw-Bleeder	1	1	1	1
17	081-00100	Seat-Bleeder	1			
	081-00500	Seat-Bleeder		1	1	1
18	101-00600	O-Ring (MS28775-011)		1	1	1
	075-20200	Torque Plate Assy.				1
19	075-14300	Torque Plate Assy.		1		
	075-14500	Torque Plate Assy.	1			
20	145-01000	Bushing-T.P.	2			



Illustrated Parts List

30-129, 30-233, 30-233A, 30-233B

Metallic Lining

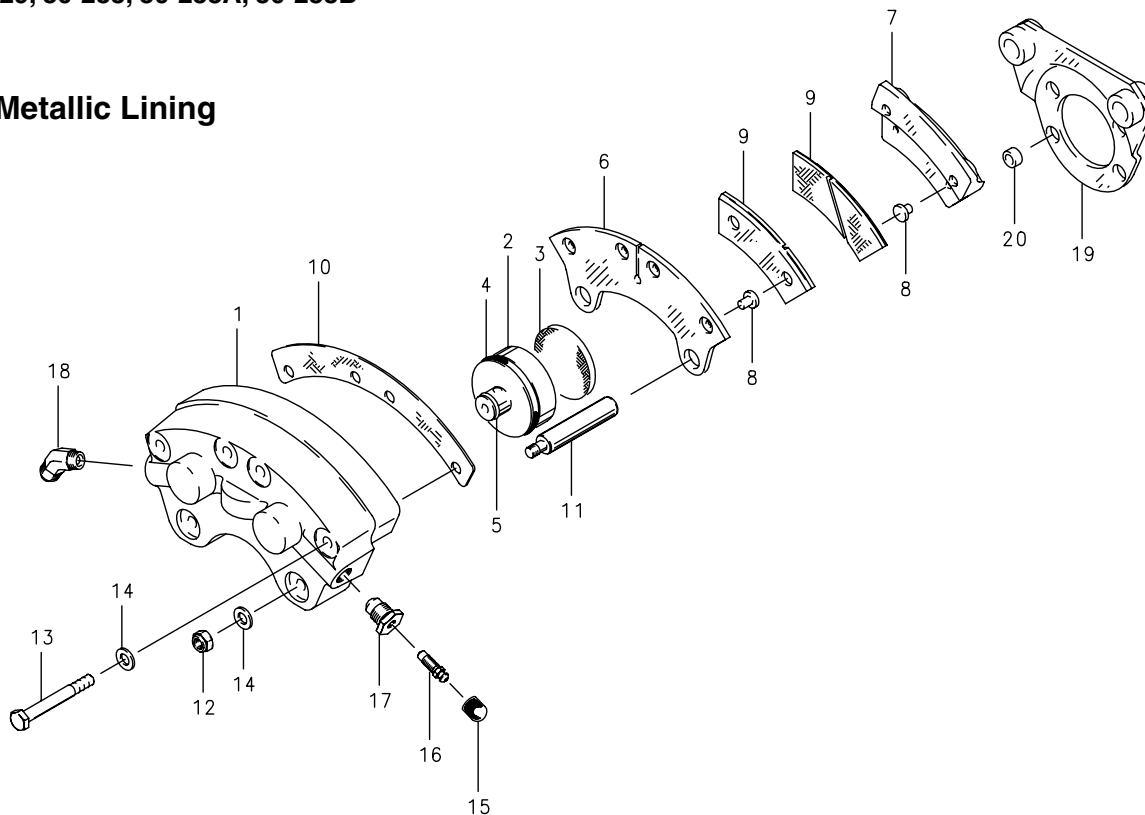
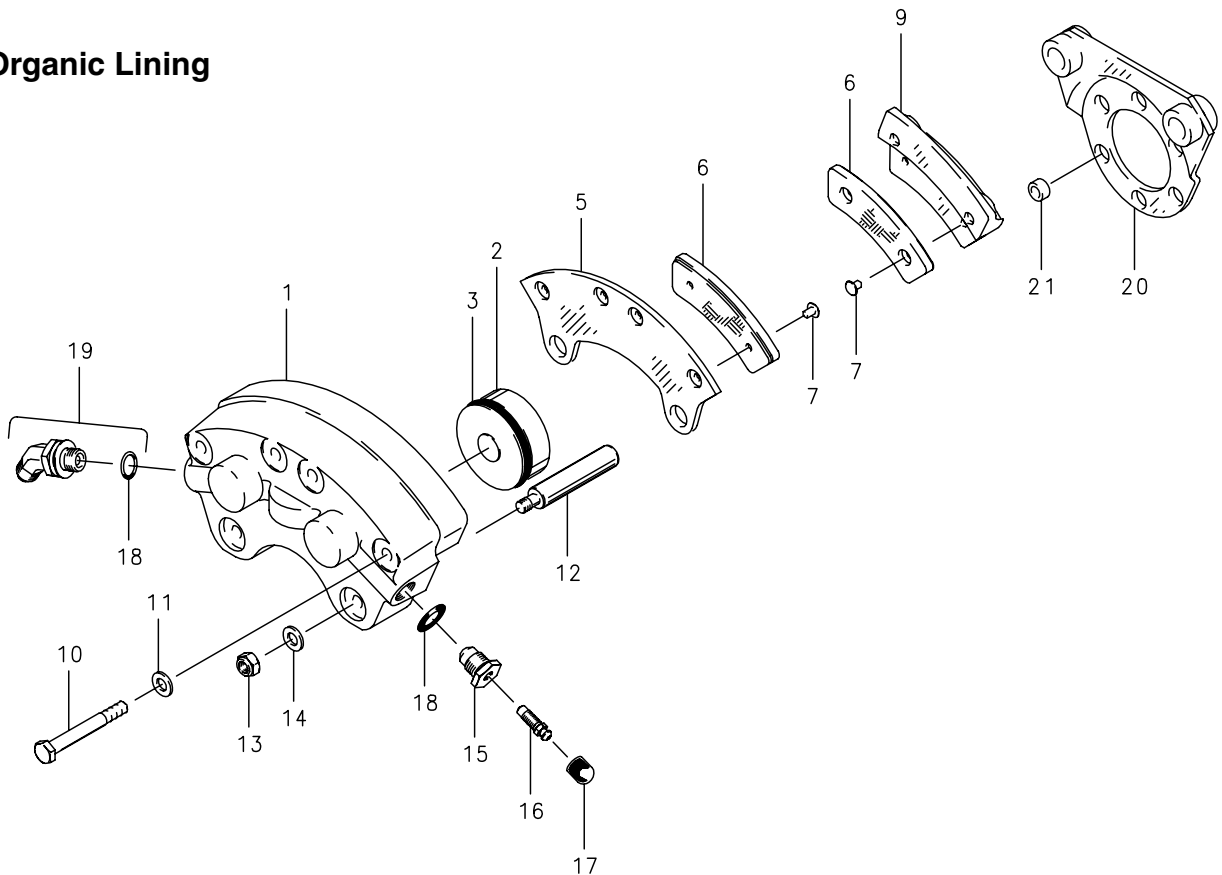


FIG.	PART NO.	DESCRIPTION	PER ASSY.			
			30-129	30-233	30-233A	30-233B
	091-12300	Cylinder Assembly	1			
	091-21200	Cylinder Assembly		1		
	091-21201	Cylinder Assembly			1	
	091-21202	Cylinder Assembly				1
1	061-01802	Cylinder	1	1	1	1
	092-02000	Piston Assembly	2	2	2	
	092-08600	Piston Assembly				2
2	062-01800	Piston	2	2	2	2
3	088-00100	Insulator	2	2	2	2
4	101-02700	O-Ring (MS28775-222)	2	2	2	
	101-34500	O-Ring				2
5	082-02000	Spring-Friction	2	2	2	2
	073-02700	Pressure Plate Assembly	1	1	1	1
6	063-01100	Pressure Plate	1	1	1	1
8	177-00300	Pin-Lining	4	4	4	4
9	066-06200	Lining	2	2	2	2
	074-03000	Back Plate Assembly	2	2	2	2
7	064-01500	Back Plate	2	2	2	2
8	177-00300	Pin-Lining	4	4	4	4
9	066-06200	Lining	2	2	2	2

FIG.	PART NO.	DESCRIPTION	PER ASSY.			
			30-129	30-233	30-233A	30-233B
10	068-01100	Shim-Insulator	1	1	1	1
11	069-00400	Anchor Bolt	2			
	069-01900	Anchor Bolt		2		2
	069-02500	Anchor Bolt			2	
12	094-10300	Nut (MS21044-N4)	2	2	2	2
13	103-11800	Bolt	4	4	4	4
14	095-10400	Washer (AN960-416)	2	2	2	2
15	183-00100	Cap-Bleeder	1	1	1	1
16	079-00300	Screw-Bleeder	1	1	1	1
17	081-00100	Seat-Bleeder	1	1	1	1
18	104-00500	Inlet Fitting (MS20823-4D)		1	1	1
19	075-01500	Torque Plate Assembly		1		1
	075-05402	Torque Plate Assembly	1			
	075-20400	Torque Plate Assembly			1	
20	145-01000	Bushing-Torque Plate		2		

30-241

Organic Lining



Assy. Number

A) 30-241 (1)

NOTES:

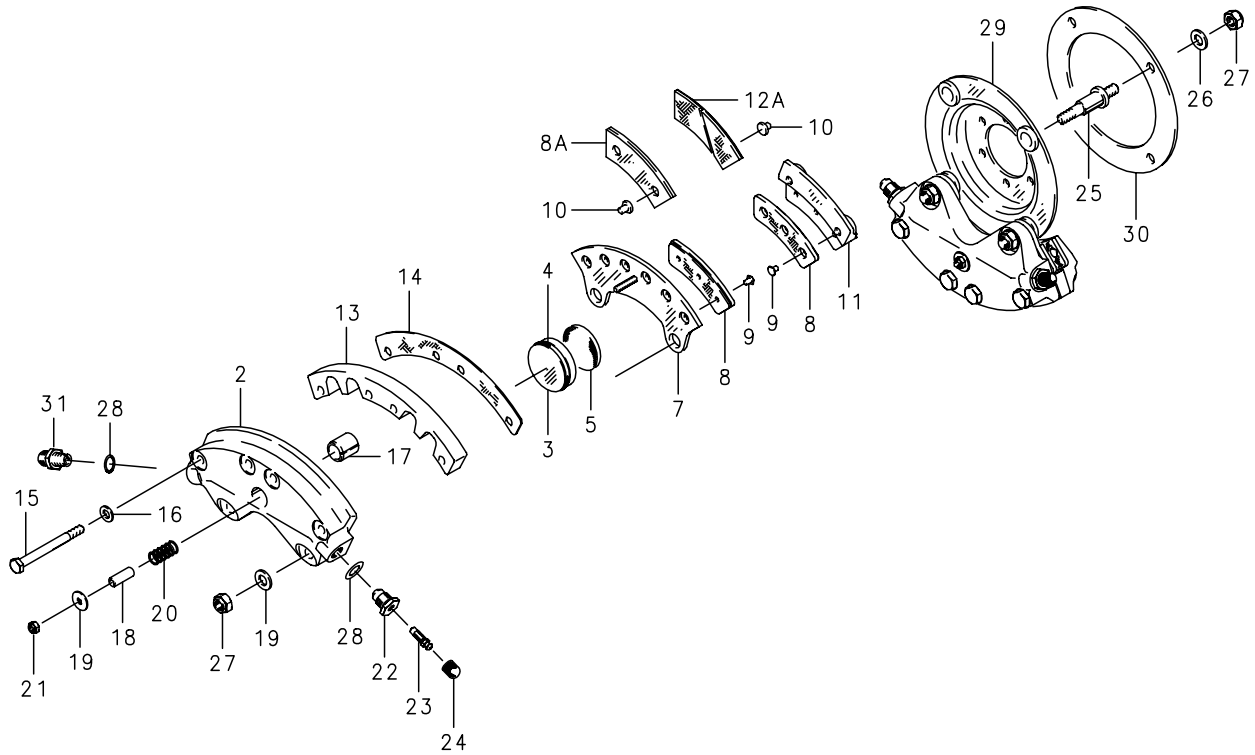
(1) High corrosion resistant,
 amphibious equipment

FIG.	PART NUMBER	DESCRIPTION	QTY. PER ASSY.
	091-21600	Cylinder Assy.	1
1	061-16600	Cylinder	1
2	062-10700	Piston	2
3	101-02700	O-Ring (MS28775-222)	2
4	073-04200	Pressure Plate Assy.	1
5	063-01100	Pressure Plate	1
6	066-10500	Lining	2
7	105-00200	Rivet	4
8	074-02900	Back Plate Assy.	2
9	064-01500	Back Plate	2
6	066-10500	Lining	2
7	105-00200	Rivet	4
10	103-85500	Bolt (MS21250H04026)	4
11	095-14300	Washer (MS20002C4)	4
12	069-03100	Anchor Bolt	2
13	094-10300	Nut (MS21044-N4)	2
14	095-10400	Washer (AN960-416)	2
15	081-00200	Seat-Bleeder	1
16	079-00300	Screw-Bleeder	1
17	183-00100	Cap-Bleeder	1
18	101-00700	O-Ring (MS28775-012)	2
19	104-04700	Fitting	1
20	075-20700	Torque Plate Assy.	1
21	145-01000	Bushing	2

Illustrated Parts List

37-200-2 (30-8), 37-200A (30-72)

Organic Lining
Metallic Lining



Illustrated Parts List

37-200-2 (30-8), 37-200A (30-72)

Organic Lining
Metallic Lining

FIG.	PART NUMBER	DESCRIPTION	QTY. PER ASSY.	
			A	B
1	091-00100	Cylinder Assy.	2	
	091-03401	Cylinder Assy.		2
2	061-00400	Cylinder	2	
	061-03000	Cylinder		2
	092-00200	Piston Assy.	4	
	092-00900	Piston Assy.		4
3	062-00300	Piston	4	
	062-00800	Piston		4
4	101-02300	O-Ring (MS28775-218)	4	4
5	088-00200	Insulator		4
	073-00200	Pressure Plate Assy.	2	
	073-02900	Pressure Plate Assy.		2
7	184-00100	Pressure Plate	2	2
8	066-10600	Lining	4	
8A	066-06500	Lining		4
9	105-00200	Rivet	12	
10	177-00300	Pin		8
	074-00200	Back Plate Assy.	4	
	074-02300	Back Plate Assy.		4
11	064-00500	Back Plate	4	4
8	066-10600	Lining	4	
12A	066-06200	Lining		4
9	105-00200	Rivet	12	
10	177-00300	Pin		8
13	068-00600	Shim	2	2
14	068-01100	Shim-Insulator		2
15	103-12400	Bolt (AN4H21A)	8	8
16	095-10200	Washer (AN960-416L)	8	8
17	071-00100	Cylinder-Retract	2	2
18	067-00400	Spacer	2	2
19	095-00200	Washer	2	2
20	082-00500	Spring	2	2
21	094-10200	Nut (NASM21083N3)	2	2
22	081-00100	Seat-Bleeder	2	
	081-00200	Seat-Bleeder		2
23	079-00300	Screw-Bleeder	2	2
24	183-00100	Cap-Bleeder	2	2
25	069-00300	Anchor Bolt	4	4
26	095-10700	Washer (AN960-516L)	8	8
27	094-10400	Nut (MS21044-N5)	8	8
31	104-00200	Fitting (AN815-4D)		2
28	101-00700	O-Ring (MS28775-012)		4
29	075-00900	Torque Plate Assy.	1	1
30	065-01000	Torque Plate	1	1

Assy. Number

A) 37-200-2 (30-8) (1)

B) 37-200A (30-72) (2)

NOTES:

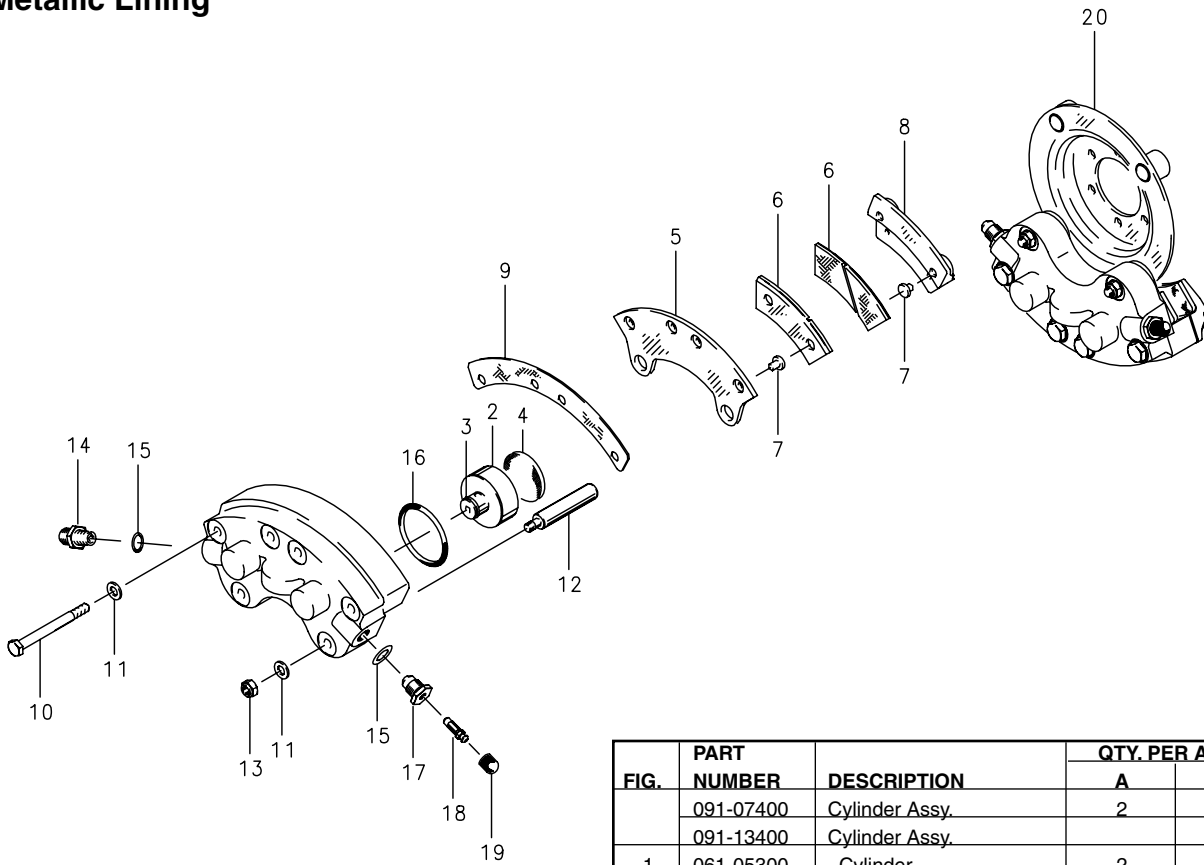
(1) Organic lining.

(2) Metallic lining.



30-96, 30-139

Metallic Lining



Assy. Number

- A) 30-96
- B) 30-139

FIG.	PART NUMBER	DESCRIPTION	QTY. PER ASSY.	
			A	B
1	091-07400	Cylinder Assy.	2	
	091-13400	Cylinder Assy.		2
	061-05300	Cylinder	2	2
	092-03000	Piston Assy.	4	4
2	062-02500	Piston	4	4
3	082-02000	Friction Spring	4	
4	088-00200	Insulator	4	4
	073-02700	Pressure Plate Assy.	2	2
5	063-01100	Pressure Plate	2	2
6	066-06200	Lining	4	4
7	177-00300	Pin	8	8
8	074-02300	Back Plate Assy.	4	
	074-04400	Back Plate Assy.		4
	064-00500	Back Plate	4	
	064-03700	Back Plate		4
6	066-06200	Lining	4	4
7	177-00300	Pin	8	8
9	068-01100	Shim-Insulator	2	2
10	103-12400	Bolt (AN4H21)	8	8
11	095-10400	Washer (AN960-416)	12	12
12	069-00400	Anchor Bolt	4	4
13	094-10300	Nut (MS21044-N4)	4	4
14	104-00200	Fitting (AN815-4D)	2	2
15	101-00700	O-Ring (MS28775-012)	4	4
16	101-02700	O-Ring (MS28775-222)	4	4
17	081-00200	Seat-Bleeder	2	2
18	079-00300	Screw-Bleeder	2	2
19	183-00100	Cap-Bleeder	2	2
20	075-10200	Torque Plate Assy.	1	1