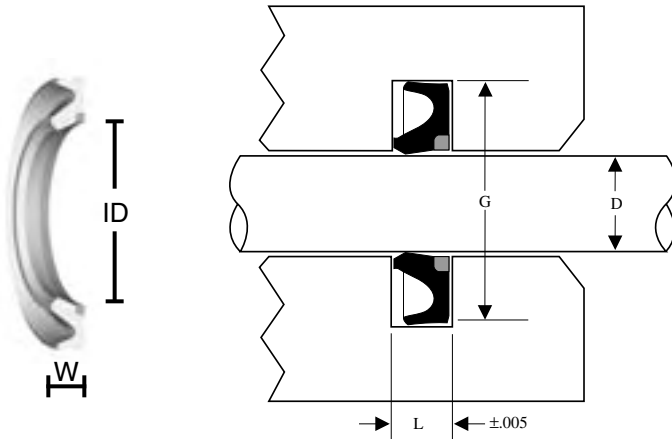


STYLE DYR ROD BUFFER SEALS

U-cup style buffer ring offers an asymmetric sealing lip profile, chamfered sealing edges, and pressure relieving capabilities to prevent inner pressure entrapment when employed in a tandem sealing system. This rod buffer seal is designed to absorb impact pressure fluctuations under high-load conditions thus increasing the life of the primary seal. DYR buffers with "BU" suffix utilize polyacetal back-up. Standard DYR's do not.



SEAL INFORMATION

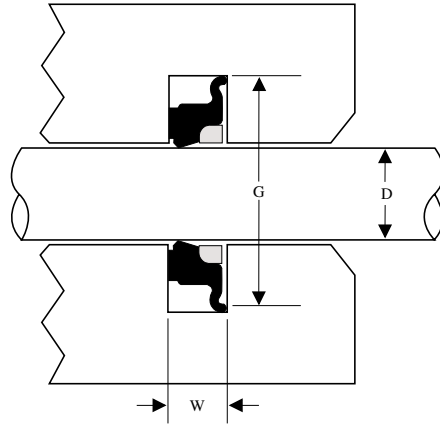
MATERIAL	URETHANE U-STYLE POLYACETAL BACK-UP
TEMPERATURE RANGE	-40° TO +230° F
PRESSURE RANGE	0 TO 8,000 PSI
PART NUMBER	(Prefix)(CS) - (Inside Dia) (O-Ring CS)

Part Number	D Nominal Rod Dia. Seal ID	G Groove Diameter	W Seal Width	L Groove Width	1000 PSI	3000 PSI	5000 PSI	List Price
DYR28-1.25-12	1-1/4	1.819 ±0.004	1/8	0.140 ±0.005	0.012	0.008	0.005	\$ 8.22
DYR28-1.50-12	1-1/2	2.067 ±0.004	1/8	0.140 ±0.005	0.012	0.008	0.005	9.49
DYR28-1.75-12	1-3/4	2.319 ±0.004	1/8	0.140 ±0.005	0.012	0.008	0.005	10.76
DYR28-2.00-12	2	2.567 ±0.004	1/8	0.140 ±0.005	0.012	0.008	0.005	12.03
DYR31-2.75-22BU	2-3/4	3.402 ±0.004	3/16	0.234 ±0.005	0.012	0.008	0.005	15.84
DYR31-3.00-22BU	3	3.649 ±0.004	3/16	0.234 ±0.005	0.014	0.010		17.12
DYR31-4.00-22BU	4	4.669 ±0.004	3/16	0.234 ±0.005	0.014	0.010		22.20
DYR32-1.75-20BU	1-3/4	2.395 ±0.005	0.22	0.220 ±0.005	0.012	0.008	0.005	12.50
DYR34-2.25-22BU	2-1/4	2.929 ±0.004	3/16	0.234 ±0.005	0.012	0.008	0.005	13.31
DYR34-2.50-22BU	2-1/2	3.177 ±0.004	3/16	0.234 ±0.005	0.012	0.008	0.005	14.58
DYR34-3.50-22BU	3-1/2	4.169 ±0.004	3/16	0.234 ±0.005	0.014	0.010		19.67

Part Number	Nominal Rod Dia. Seal ID	G Groove Diameter	W Seal Width	L Groove Width	1000 PSI	3000 PSI	5000 PSI	List Price
DYR-25003	2-1/2	3.116 +0.005/-0	0.235	0.247 +0.010/-0	0.03	0.022	0.018	\$ 22.62
DYR-27503	2-3/4	3.366 +0.005/-0	0.235	0.247 +0.010/-0	0.03	0.022	0.018	18.76
DYR-30003	3	3.616 +0.005/-0	0.235	0.247 +0.010/-0	0.03	0.022	0.018	26.47
DYR-35003	3-1/2	4.116 +0.005/-0	0.235	0.247 +0.010/-0	0.03	0.022	0.018	27.01
DYR-40003	4	4.616 +0.005/-0	0.235	0.247 +0.010/-0	0.03	0.022	0.018	37.20
DYR-45003	4-1/2	5.116 +0.005/-0	0.235	0.247 +0.010/-0	0.03	0.022	0.018	46.26
DYR-47503	4-3/4	5.366 +0.005/-0	0.235	0.247 +0.010/-0	0.03	0.022	0.018	47.75
DYR-50003	5	5.616 +0.005/-0	0.235	0.247 +0.010/-0	0.03	0.022	0.018	49.20
DYR-55003	5-1/2	6.116 +0.005/-0	0.235	0.247 +0.010/-0	0.03	0.022	0.018	48.00
DYR-60003	6	6.616 +0.005/-0	0.235	0.247 +0.010/-0	0.03	0.022	0.018	45.18
DYR-65003	6-1/2	7.116 +0.005/-0	0.235	0.247 +0.010/-0	0.03	0.022	0.018	50.00
DYR-70003	7	7.616 +0.005/-0	0.235	0.247 +0.010/-0	0.03	0.022	0.018	54.05
DYR-75003	7-1/2	8.116 +0.005/-0	0.235	0.247 +0.010/-0	0.03	0.022	0.018	55.00
DYR-80003	8	8.616 +0.005/-0	0.235	0.247 +0.010/-0	0.03	0.022	0.018	58.00

STYLE DYM ROD BUFFER SEALS

Buffer seals have an asymmetric sealing profile that offers improved performance in small diameter applications and pressure relieving capabilities to prevent pressure entrapment in tandem sealing systems. DYM Style Rod Buffer Seals can also be used to retrofit DYM and KR applications when properly sized.



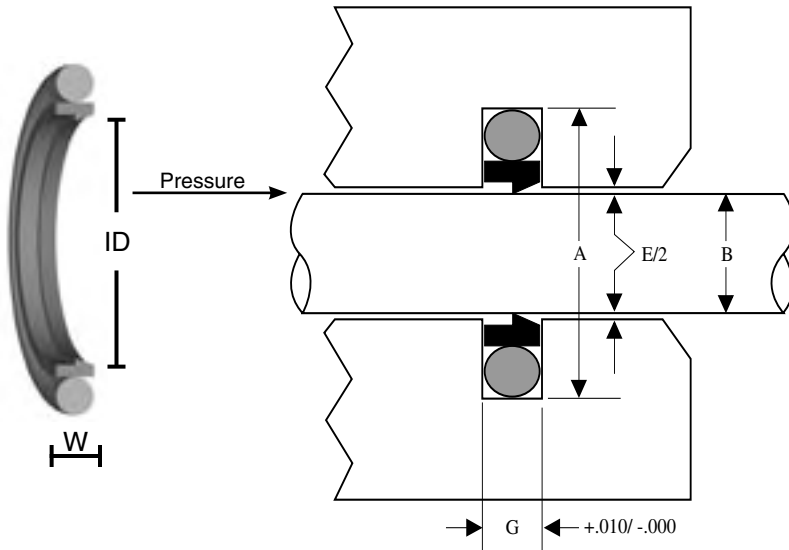
SEAL INFORMATION

MATERIAL	URETHANE SEAL NYLON BACK-UP
TEMPERATURE RANGE	-40° TO +230° F
PRESSURE RANGE	0 TO 5,000 PSI
PART NUMBER	(Prefix) - (Inside Dia) (O-Ring CS)

Part Number	D Nominal Rod Dia. Seal ID	G Groove Diameter	H Seal Width	W Groove Width	1000 PSI	3000 PSI	5000 PSI	List Price
DYM-10002	1	1.424 +0.004/-0	0.155 ±0.005	0.166 +0.010/-0	0.022	0.018	0.012	\$ 16.00
DYM-12502	1-1/4	1.674 +0.004/-0	0.155 ±0.005	0.166 +0.010/-0	0.022	0.018	0.012	16.00
DYM-15002	1-1/2	1.924 +0.004/-0	0.155 ±0.005	0.166 +0.010/-0	0.022	0.018	0.012	14.42
DYM-17502	1-3/4	2.174 +0.004/-0	0.155 ±0.005	0.166 +0.010/-0	0.022	0.018	0.012	15.05
DYM-17503	1-3/4	2.366 +0.005/-0	0.235 ±0.005	0.247 +0.010/-0	0.030	0.022	0.018	15.41
DYM-20002	2	2.424 +0.004/-0	0.155 ±0.005	0.166 +0.010/-0	0.022	0.018	0.012	16.19
DYM-20003	2	2.616 +0.005/-0	0.235 ±0.005	0.247 +0.010/-0	0.030	0.022	0.018	17.42
DYM-22502	2-1/4	2.674 +0.004/-0	0.155 ±0.005	0.166 +0.010/-0	0.022	0.018	0.012	18.10
DYM-25002	2-1/2	2.924 +0.004/-0	0.155 ±0.005	0.166 +0.010/-0	0.022	0.018	0.012	16.34
DYM-25003	2-1/2	3.116 +0.005/-0	0.235 ±0.005	0.247 +0.010/-0	0.030	0.022	0.018	22.62
DYM-27502	2-3/4	3.174 +0.005/-0	0.155 ±0.005	0.166 +0.010/-0	0.022	0.018	0.012	18.76
DYM-27503	2-3/4	3.366 +0.005/-0	0.235 ±0.005	0.247 +0.010/-0	0.030	0.022	0.018	18.76
DYM-30002	3	3.424 +0.004/-0	0.155 ±0.005	0.166 +0.010/-0	0.022	0.018	0.012	21.23
DYM-30003	3	3.616 +0.005/-0	0.235 ±0.005	0.247 +0.010/-0	0.030	0.022	0.018	26.47

STYLE KR ROD BUFFER SEALS

Molded in PTFE with a rubber energizer, this seal absorbs the shock of pressure spikes protecting the rod seal.



SEAL INFORMATION

MATERIAL	BRONZE FILLED PTFE SEAL RUBBER ENERGIZER
TEMPERATURE RANGE	-65° TO +220° F
PRESSURE RANGE	0 TO 5,000 PSI
PART NUMBER	(Prefix) - (Inside Dia) (O-Ring CS)

Part Number	B Nominal Rod Dia. Seal ID	A Groove Diameter	W Seal Width	G Groove Width	E - Maximum Diametrical Clearance			List Price
					1000 PSI	3000 PSI	5000 PSI	
KR-05001	1/2	0.798 +0.003/-0	.122±.005	0.126 +0.010/-0	0.012	0.006	0.004	\$ 2.81
KR-10001	1	1.298 +0.004/-0	.122±.005	0.126 +0.010/-0	0.012	0.006	0.004	9.50
KR-10002	1	1.433 +0.004/-0	.155±.005	0.165 +0.008/-0	0.016	0.008	0.006	4.83
KR-11201	1-1/8	1.423 +0.003/-0	.122±.005	0.126 +0.010/-0	0.012	0.006	0.004	9.70
KR-12501	1-1/4	1.548 +0.003/-0	.122±.005	0.126 +0.010/-0	0.012	0.006	0.004	11.28
KR-12502	1-1/4	1.674 +0.004/-0	.155±.005	0.166 +0.010/-0	0.016	0.008	0.006	12.00
KR-13702	1-3/8	1.799 +0.004/-0	.155±.005	0.166 +0.010/-0	0.016	0.008	0.006	13.11
KR-15001	1-1/2	1.798 +0.003/-0	.122±.005	0.126 +0.010/-0	0.012	0.006	0.004	11.00
KR-15002	1-1/2	1.924 +0.004/-0	.155±.005	0.166 +0.010/-0	0.016	0.008	0.006	13.11
KR-15003	1-1/2	2.116 +0.004/-0	.235±.005	0.247 +0.010/-0	0.020	0.010	0.008	8.45
KR-17501	1-3/4	2.048 +0.003/-0	.122±.005	0.126 +0.010/-0	0.012	0.006	0.004	12.20
KR-17502	1-3/4	2.174 +0.004/-0	.155±.005	0.166 +0.010/-0	0.016	0.008	0.006	13.68
KR-17503	1-3/4	2.366 +0.005/-0	.235±.005	0.247 +0.010/-0	0.020	0.010	0.008	14.01
KR-18702	1-7/8	2.299 +0.004/-0	.155±.005	0.166 +0.010/-0	0.016	0.008	0.006	11.74
KR-20002	2	2.424 +0.004/-0	.155±.005	0.166 +0.010/-0	0.016	0.008	0.006	14.72
KR-20003	2	2.616 +0.005/-0	.235±.005	0.247 +0.010/-0	0.020	0.010	0.008	15.84
KR-21202	2-1/8	2.549 +0.004/-0	.155±.005	0.166 +0.010/-0	0.016	0.008	0.006	15.56
KR-22502	2-1/4	2.674 +0.004/-0	.155±.005	0.166 +0.010/-0	0.016	0.008	0.006	16.45
KR-25002	2-1/2	2.924 +0.004/-0	.155±.005	0.166 +0.010/-0	0.016	0.008	0.006	14.85
KR-25003	2-1/2	3.116 +0.005/-0	.235±.005	0.247 +0.010/-0	0.020	0.010	0.008	20.56

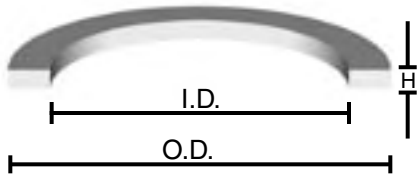
STYLE KR ROD BUFFER SEALS

BUFFER SEALS

Part Number	B Nominal Rod Dia. Seal ID	A Groove Diameter	W Seal Width	G Groove Width	E - Maximum Diametrical Clearance			List Price
					1000 PSI	3000 PSI	5000 PSI	
KR-26203	2-5/8	3.241 +0.005/-0	.235±.005	0.247 +0.010/-0	0.020	0.010	0.008	\$ 19.82
KR-27503	2-3/4	3.366 +0.005/-0	.235±.005	0.247 +0.010/-0	0.020	0.010	0.008	17.05
KR-30002	3	3.424 +0.004/-0	.155±.005	0.166 +0.010/-0	0.016	0.008	0.006	19.30
KR-30003	3	3.616 +0.005/-0	.235±.005	0.247 +0.010/-0	0.020	0.010	0.008	24.06
KR-32503	3-1/4	3.866 +0.005/-0	.235±.005	0.247 +0.010/-0	0.020	0.010	0.008	24.29
KR-35003	3-1/2	4.116 +0.005/-0	.235±.005	0.247 +0.010/-0	0.020	0.010	0.008	24.55
KR-37503	3-3/4	4.366 +0.005/-0	.235±.005	0.247 +0.010/-0	0.020	0.010	0.008	31.95
KR-40002	4	4.424 +0.004/-0	.155±.005	0.166 +0.010/-0	0.016	0.008	0.006	30.34
KR-40003	4	4.616 +0.005/-0	.235±.005	0.247 +0.010/-0	0.020	0.010	0.008	33.82
KR-40004	4	4.830 +0.006/-0	.305±.005	0.320 +0.010/-0	0.024	0.012	0.009	30.86
KR-45003	4-1/2	5.116 +0.005/-0	.235±.005	0.247 +0.010/-0	0.020	0.010	0.008	42.05
KR-45004	4-1/2	5.330 +0.006/-0	.305±.005	0.320 +0.010/-0	0.024	0.012	0.009	40.28
KR-47503	4-3/4	5.366 +0.005/-0	.235±.005	0.247 +0.010/-0	0.020	0.010	0.008	43.41
KR-50003	5	5.616 +0.005/-0	.235±.005	0.247 +0.010/-0	0.020	0.010	0.008	44.73
KR-50004	5	5.830 +0.006/-0	.305±.005	0.320 +0.010/-0	0.024	0.012	0.009	45.04
KR-55004	5-1/2	6.330 +0.006/-0	.305±.005	0.320 +0.010/-0	0.024	0.012	0.009	47.50
KR-57504	5-3/4	6.580 +0.006/-0	.305±.005	0.320 +0.010/-0	0.024	0.012	0.009	42.77
KR-60003	6	6.616 +0.005/-0	.235±.005	0.247 +0.010/-0	0.020	0.010	0.008	41.07
KR-60004	6	6.830 +0.006/-0	.305±.005	0.320 +0.010/-0	0.024	0.012	0.009	42.76
KR-65003	6-1/2	7.116 +0.005/-0	.235±.005	0.247 +0.010/-0	0.020	0.010	0.008	21.39
KR-67504	6-3/4	7.580 +0.006/-0	.305±.005	0.320 +0.010/-0	0.024	0.012	0.009	53.02
KR-70003	7	7.616 +0.005/-0	.235±.005	0.247 +0.010/-0	0.020	0.010	0.008	49.14
KR-70004	7	7.830 +0.006/-0	.305±.005	0.320 +0.010/-0	0.024	0.012	0.009	75.89
KR-75003	7-1/2	8.116 +0.006/-0	.235±.005	0.247 +0.010/-0	0.020	0.010	0.008	112.77
KR-82504	8-1/4	9.080 +0.006/-0	.305±.005	0.320 +0.010/-0	0.024	0.012	0.009	120.83
KR-90004	9	9.830 +0.006/-0	.305±.005	0.320 +0.010/-0	0.024	0.012	0.009	59.00

STYLE RBS ROD BUFFER SEALS

The RBS style rod buffer seals are a rectangular urethane buffer ring designed to absorb pressure fluctuations thereby protecting the primary rod seal. Some sizes include a radial and axial slot, which faces the pressure, to relieve back pressure between the primary and buffer seal. This simple design is commonly found on older construction equipment.



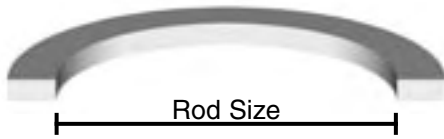
SEAL INFORMATION

MATERIAL	92 A URETHANE
TEMPERATURE RANGE	-65° TO +220° F
PRESSURE RANGE	0 TO 5,000 PSI

Part Number	ID	OD	H.	List Price
RBS-1.2X1.6	1.250	1.620	0.118	\$ 8.58
RBS-1.50X2.00SL	1.500	2.000	0.118	3.42
RBS-1.75X2.25SL	1.750	2.250	0.118	3.68
RBS-2.00X2.50SL	2.000	2.500	0.118	4.05
RBS-2.25X2.87SL	2.250	2.870	0.190	4.50
RBS-2.50X3.12SL	2.500	3.120	0.190	4.90
RBS-3.00X3.62SL	3.000	3.620	0.190	8.93
RBS-4.0X4.4X.19	4.000	4.380	0.190	3.55
RBS-4.5X5.2X.17	4.500	5.220	0.170	12.49
RBS-6X6.7X.17	6.000	6.720	0.170	15.87
RBS-7.5X8.2X.17	7.500	8.220	0.170	16.97

CATERPILLAR® SPECIFIC BUFFER SEALS - 1 PIECE

See Caterpillar® heading in kit catalog for more Caterpillar® replacement parts.



SEAL INFORMATION

MATERIAL	92 A URETHANE
TEMPERATURE RANGE	-65° TO +220° F
PRESSURE RANGE	0 TO 5,000 PSI

Part Number	Rod Size	List Price
CTC-5P4673	7/8	\$ 2.72
CTC-6J9733	1-1/2	3.58
CTC-9J3497	1-1/4	1.73
CTC-6J9178	1-3/4	3.45
CTC-4T6778	1-7/8	8.58
CTC-6J6917	2	4.18
CTC-5J3620	2-1/2	4.74
CTC-5J3616	2-1/4	4.34
CTC-4T6127	2-1/8	4.34
CTC-6J6553	2-3/4	5.03
CTC-6J6916	2-3/8	4.62
CTC-1U4020	2-5/8	5.50

Part Number	Rod Size	List Price
CTC-6J6915	3	\$ 5.28
CTC-6J6736	3-1/2	7.18
CTC-6J7167	3-1/4	5.68
CTC-8J6070	3-3/4	7.69
CTC-8J4627	4	12.37
CTC-7J8943	4-1/4	6.53
CTC-7J9257	4-3/4	10.08
CTC-3G5055	4-3/8	5.85
CTC-8J4509	5	10.96
CTC-6J8631	6-1/2	13.48
CTC-9J2495	7	13.99

CATERPILLAR® SPECIFIC BUFFER SEALS - 2 PIECE

See Caterpillar® heading in kit catalog for more Caterpillar® replacement parts.



SEAL INFORMATION

MATERIAL	BRONZE FILLED PTFE SEAL RUBBER ENERGIZER
TEMPERATURE RANGE	-65° TO +220° F
PRESSURE RANGE	0 TO 5,000 PSI

Part Number	Rod Size	List Price
CTC-8C9122	1-1/2	\$ 8.47
CTC-8C9123	1-3/4	9.03
CTC-8C9124	2	9.88
CTC-8C3839	2-1/2	11.78
CTC-8C9125	2-1/4	12.74
CTC-8C3841	2-3/4	15.02
CTC-8C9138	2-3/8	14.18

Part Number	Rod Size	List Price
CTC-8C9126	3	\$ 14.03
CTC-8C9127	3-1/2	18.10
CTC-8C9121	3-1/4	14.96
CTC-8C9128	3-3/4	19.19
CTC-8C9129	4	20.23
CTC-8C9130	7	50.50