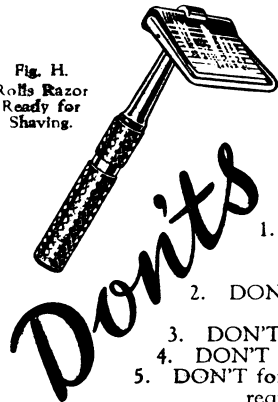


CARE OF THE ROLLS RAZOR.

Fig. H.
Rolls Razor
Ready for
Shaving.



The Rolls Razor Blade is hollow ground and made of Sheffield Steel. The Blade Guard is attached to the Blade and must not be removed. In the Stropping operation the Blade is pulled along the Strop, whilst in Honing it is pushed against the Hone. The Strop is the RED LEATHER and should be kept fully impregnated with Rolls Razor Strop Dressing. The Hone is the GREY STONE, and is used dry.

Given reasonable care your Rolls Razor will last for many years. Attention to the following "DON'TS" will ensure perfect shaving:—

1. DON'T put your Blade away damp or wet ; first dip it into hot water and then dry (tap the water out of the back hole on to a towel) and strop well.
2. DON'T lubricate the centre friction portion of the Spindle, otherwise stropping pressure will be lost.
3. DON'T attempt to raise the wings of the friction spring.
4. DON'T use a cracked Hone, or the Blade edge will be damaged.
5. DON'T forget to apply Rolls Razor Strop Dressing to the Strop when required.
6. DON'T allow dust or grit to settle on, or become embedded in, the Strop.
7. DON'T turn the Strop or the Hone, or put them into the wrong lids ; the lids are not interchangeable.
8. DON'T bend the lips of the lid springs in fitting a new Strop or Hone, which should be slid underneath the lid springs and then gently pressed into the lid.
9. DON'T store spare Blades in a damp climate without coating them with Vaseline, otherwise they may rust.

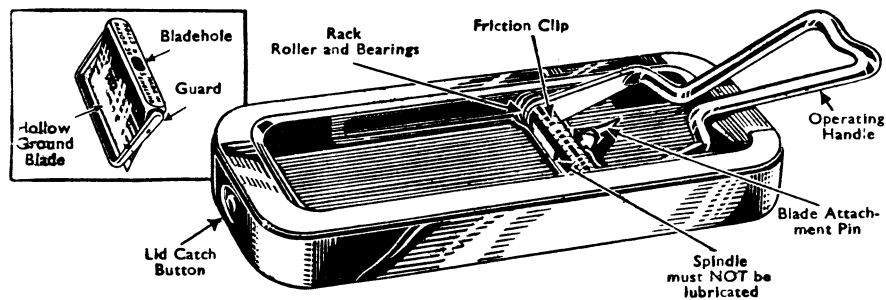


Fig. 1. Details of Rolls Razor.