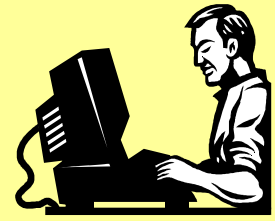




Kokomo PC Users Group



A great Users Group is the most important accessory you can have for your computer !

Presidents Message

by: Mark Pendergast - Da Prez

Remember

NO Group Meeting in July

We will all take a well
deserved rest.
(Don't want the
computers to overheat.)

We will not be meeting in July. Take a break and have some fun in the warm summer evening.

We are having a bit of a financial crisis. Our outgo is just slightly higher than our income so we lose a little every year. We are right at the point where the bank is ready to charge us a service fee - that would rapidly eat up our bank account.

The officers have decided to move to an email based newsletter. In fact you are reading the first official issue now. This will eliminate almost all of our expenses and put us on a positive cash flow for the first time since we lowered the dues to \$10 per year.

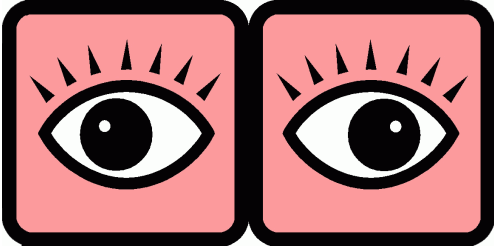
If you got this newsletter in the mail, thanks for helping us out of our financial problems. If you are still getting the snail mail copy, please send your email address to Jay Eitelman at jeitelman@insightbb.com.

We will continue to send snail mail copies to the library genealogy department for their records. (So we leave a legacy for posterity.)

If you like the new format, please let us know. It is much more flexible now that we can avoid duplication costs. If you would like to hear about a topic, let us know what it is. If you would like to write an article, please send it to Jay or me.

Two Eyes - Why Not Two Monitors ?

by: Jay Eitelman



For over a year, I've experimented with trying to install and run twin monitors from my Computer. In my HP computers, this requires installing a better graphics card with dual outputs, but the problems don't stop there.

The better graphics cards usually require a stronger power supply than comes installed in OEM Computers. If you stress the power supply, the computer can become unstable or even fail, maybe even taking out the Motherboard.

I've been researching for the best quality, higher wattage, power supplies because a power supply is the heart of a computer and is not the place to be a Cheap Skate. I finally decided on one really nice 400 Watter and got up the nerve to install it ... So far - So good.

Then I went shopping for a dual output graphics card. I found one and installed it. The better, faster, dual graphics cards also generate a lot of heat and usually have their own fan installed. Besides being a little more noisy, guess what was the first thing that failed after about two weeks. ??? Did you guess the noisy fan ???

Then BBuy's had a super sale on a PCI graphics card, and my computer came equipped with a PCIE Graphics card. So I got one and installed it as a second graphics card, for the second output. This also really worked great. Since I had two graphics cards, the heat was spread out to the two cards, and their heat sinks, and no noisy, unreliable, fan(s) were needed.

Since then, I've found what I think is the best dual, fanless, graphics card, with 512 mb of onboard Ram. It also works great.

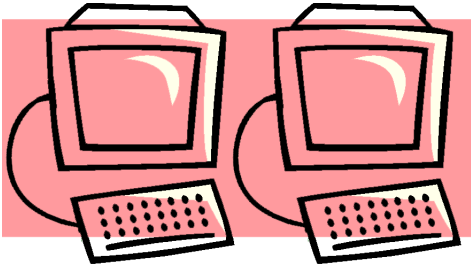
Now comes the really major problem

Once you get used to working with two monitors, You'll never want to go back to one. They work as if they were one double wide monitor. My computer is a Media Center with TV capabilities, I can be watching TV on the right monitor, and Computing on the left monitor. If I get too many windows open on the left monitor, or need more space to work, I just slide the windows to the right and open even more windows or programs.

I have accumulated a spare monitor, a PCI graphics card, and even have a spare PCI slot. I wonder what's next, a bigger desk ?

Two Computers - Two Monitors

by: Jay Eitelman



About a year and a half ago, I replaced my computer with a newer 64 bit Media Center. The “old” computer is a 2.8GHz, non-hyper threading processor, loaded with W-XP. It is still one very nice, and quick, computer and I wasn't ready to retire it.

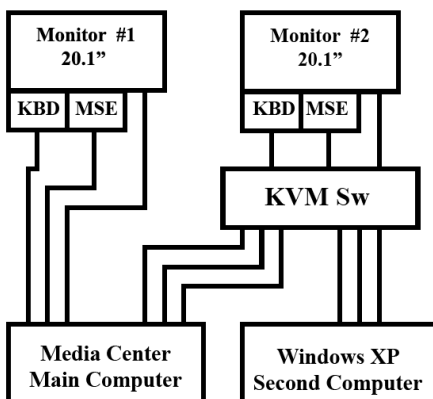
It would still be a good backup computer, If - in horsing around with my new Computer, I should mess it up somehow... or get attacked by Bill Gates... Again.

I could also use it, if I start messing with something that might have a virus and I need to test it first and I can think of a couple of other uses.

But - I'm already using a second monitor as a dual screen for my new Computer and I'm running out of desk space.

One of my Computer Buddies mentioned she is using a KVM switch to share her Keyboard, Monitor, and Mouse with her two Computers.

After some research, I found that a KVM switch is a peripheral that will let you switch the Keyboard, Video (monitor output) and Mouse between two computers and this can be done while both Computers are running.



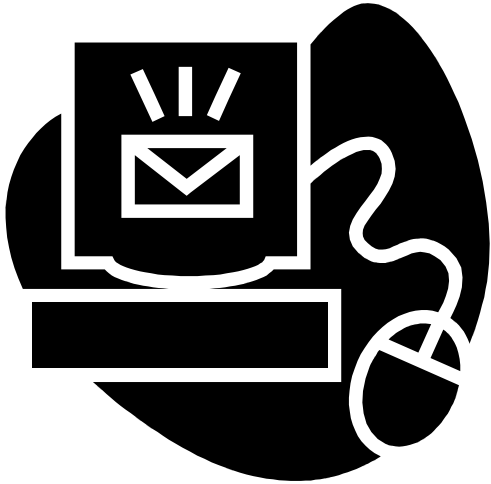
With a little wiring, a KVM switch can be used to switch the second monitor, so that it can connect as my main computer's dual Monitor or attach to the second Computer.

In order for the KVM switch to see the computer, it must see the power supplied to the keyboard from the active computer.

To do this, I had to get a USB to PS2 adapter and add a second keyboard and mouse connection from my main Computer to the KVM Switch so that it would recognize the computer as being turned on.

Now, All I have to do is tap a key on the second keyboard and switch the second Keyboard, Mouse and Monitor to either Computer.

I don't use my older Computer much, but when I do, this arrangement sure is handy.



This is a stupid computer trick that combines several tricks I have already talked about, but I used it the other day and thought it was cute.

Sometimes I get email with a huge mailing list and I want to organize who is on it and who is not. The semi-colon delimited list is not very handy to work with. In the past I might have copied the list, pasted it into MS Word, added new lines manually and then sorted manually. What a tedious effort.

A better solution is to copy the list and paste it into MS Excel. Excel has the power to make quick work of the list and extra cells can allow you to organize it any way you like.

We started the same way with a cut and paste. Now we will see the real power of Excel to work with data.

First we will select the cell A1 (This is where our data ended up). From the main menu we will select Data > Text to Columns This will display the Convert Text to Columns wizard - step 1 of 3 dialog.

On the Text to Columns wizard - step 1 of 3 dialog we select delimited and press the Next button. This will display the Text to Columns wizard - step 2 of 3 dialog.

On the Text to Columns wizard - step 2 of 3 dialog check the checkbox for semicolon in the delimiters area and press the Next button. This will display the Text to Columns wizard - step 3 of 3 dialog.

On the Text to Columns wizard - step 3 of 3 dialog we press finish. This will return us to the spreadsheet with the addresses split into the cells along row one. This is not really useful so we will need to get the addresses into rows.

To transpose (yes, this is a technical term from linear math - you may have seen it on your child or grandchild's homework) the matrix we will need some additional fancy footwork.

Select the first row (the one with all the addresses in it) and from the main menu select Edit > Copy. Then select cell A2 and from the main menu select Edit > Paste Special This will display the paste special dialog.

Extracting a mailing list

by: Mark Pendergast



On the Paste Special dialog check the checkbox for Transpose and press the OK button. This will fill in all the addresses in rows down from that point. If you are happy with the result you can go ahead and delete the first row that held the addresses originally.

Now we just want to put the addresses in order. First, check the first cell in the list and make sure it looks like the rest. (Normally it is missing a leading space character.) If the space is missing - add it in so the list will sort correctly.

Select all the cells that have addresses in them (from the top to the bottom of the list). From the main menu select Data > Sort Make sure the no header row radio button is on and then press OK. The list should now be sorted.

If you wanted to sort by some other attribute of the person (like city or how much money they owe you) just add that information in column B next to the address. Select all the cells that have addresses or attributes in them (from the top to the bottom of the list - make sure you get both columns). From the main menu select Data > Sort Select Column B in the sort by area, make sure the no header row radio button is on and then press OK. The list should now be sorted. by attribute.



This Month's User Bucks J. Eitelman \$2, M. Pendergast \$1

MEETINGS: Second Thursday of each month at 7:00 PM at IVY Tech, 1815 East Morgan Street. Look for a notice of the room assignment as you come in the main East entrance. If the meeting location is changed, it will be announced on Page 1 of the newsletter. If a meeting is canceled due to inclement weather, radio stations WIOU and WWKI will be notified by 5:00 PM on the day of the meeting.

MEMBERSHIP: Annual membership fee is \$10. Checks should be made payable to the Kokomo -PC Users Group and mailed to: Rodney Malkoff, 3209 Janice Dr., Kokomo, IN 46902 (or pay at the meeting). Persons interested in joining the Group may receive two free issues of the newsletter. Contact the editor at the return address of this newsletter.

BENEFITS:

1. A one year subscription to the Group newsletter.
2. Great presentations on interesting topics at each meeting.
3. Question and Answer session at each meeting.
4. HELP from other Group members who have been down the road before, and with whom you can share your experiences.

President	Mark Pendergast, 455-2229	m.pendergast@insightbb.com
Vice-President	Jay Eitelman, 455-2916	jeitelman@insightbb.com
Vice-President	TBD	
Treasurer	Rodney Malkoff - acting	
Membership Services	Rodney Malkoff, 453-1159	
Newsletter Editor	Mark Pendergast, 455-2229	
Newsletter Distribution	Jane Ober, 455-1583	
Group WWW site		http://www.geocities.com/roood/pcusers

NEWSLETTER ARTICLES: Articles may be submitted on diskette or in hard copy to the return address of this newsletter or dropped off at the monthly meeting. Please submit articles two weeks before the meeting.

NO July 13th

No meeting in July

We will take our traditional July shutdown period and enjoy the summer heat.

We will meet again in August refreshed and ready for the onset of fall.

Take our usual Thursday night meeting time and have fun with your computer - or , if you have to, get out and enjoy some outdoor fun.

NO JULY MEETING!!!

Join us on the 2nd
Thursday of each month
at Ivy Tech at 7:00 pm

Computer News & Reviews
Questions and Answers
Great Presentations
Fun and Fellowship
Monthly Newsletter

More details about the users group are published inside the back cover of this newsletter.

Or on the web at www.geocities.com/roood/pcusers