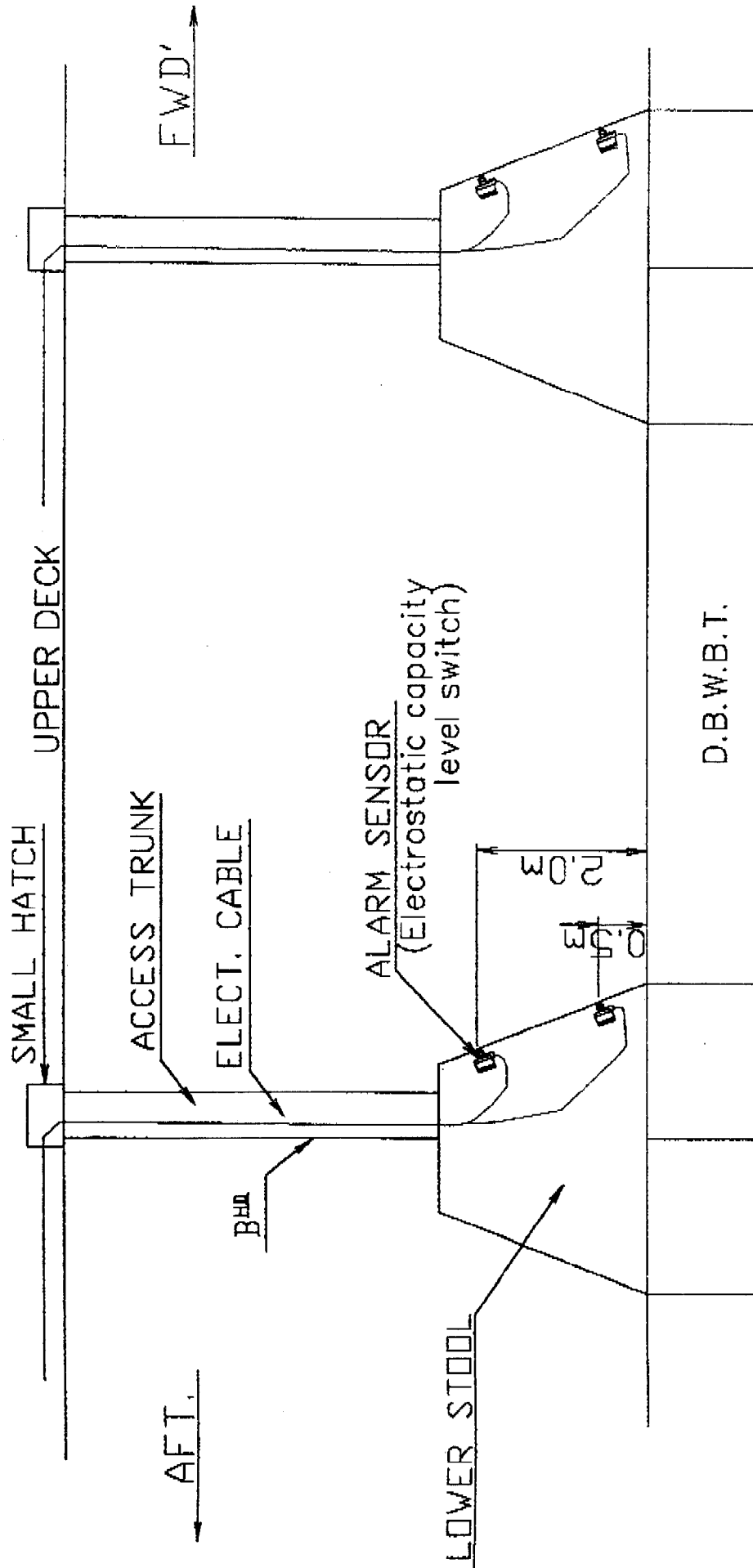






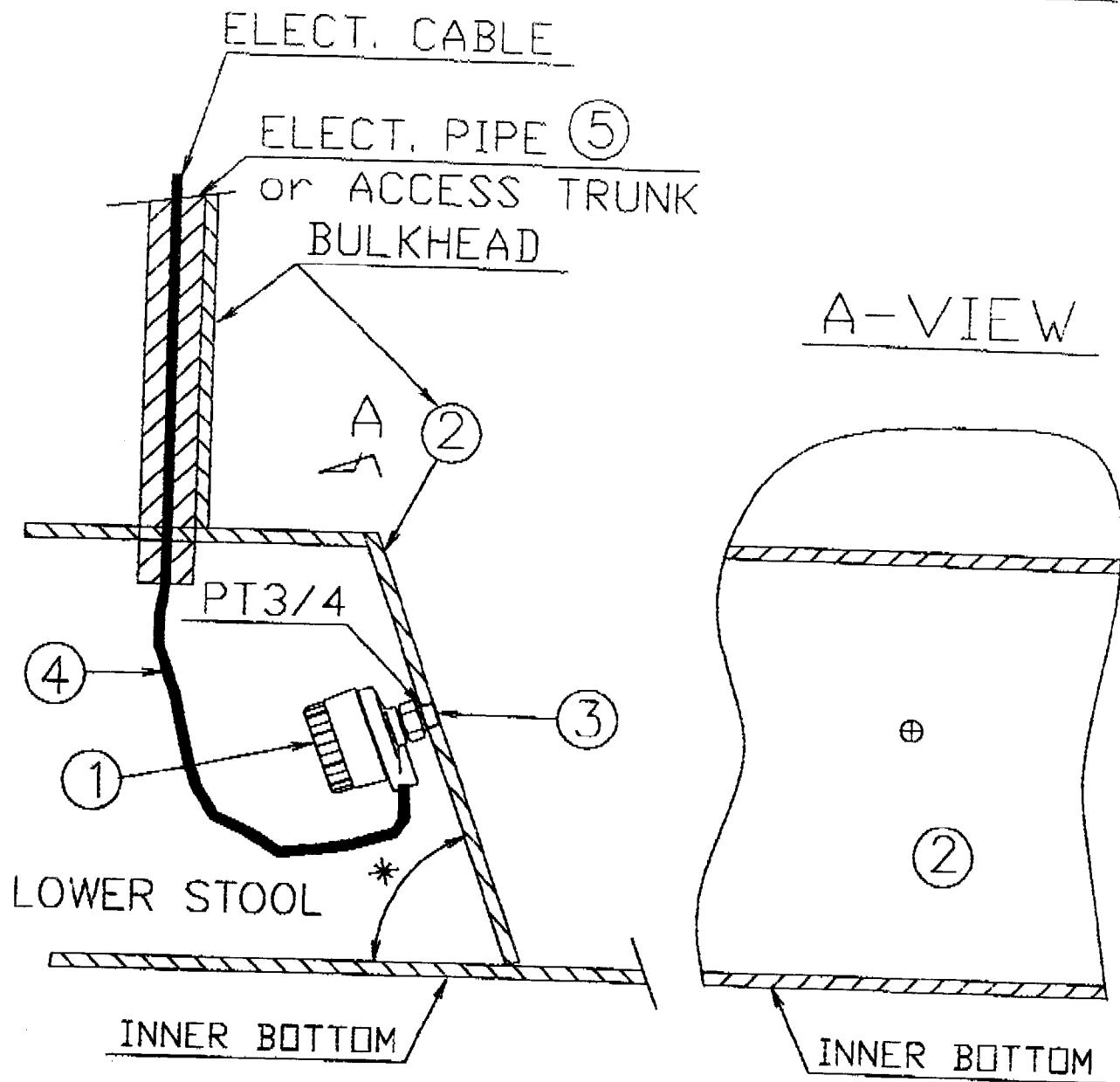
# WATER INGRESS DETECTION SYSTEM (ELECTROSTATIC CAPACITY LEVEL SWITCH TYPE)



SHIP YARD	
SHIP No.	
SCALE	1/15
	SEAMATE INC.
SEC. HEAD	
DRAWN BY	YASUKI
WEIGHT	

CARGO HOLD	
BILGE ALARM SYSTEM	
QTY	SET
QNG. No.	SK-31-206205

D.B.W.B.T.

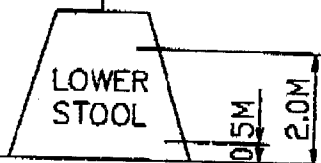


AFTER

FORE

HOLD

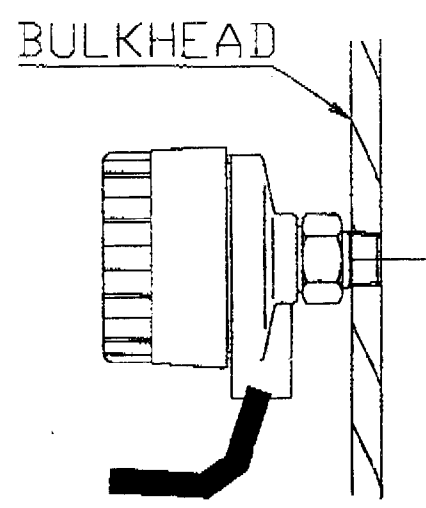
HOLD



INNER BOTTOM

NO.	NAME	MATERIAL	Q'TY	NOTE	SHIP YARD	SHIP No.	SCALE	SEAMATE INC.	SEC. HEAD	CHECKED BY	DRAWN BY	WEIGHT	DWG. No.	SH-BIL-200208
6	PIPE	SS400	1	SGP			1/15			Y. Y.	YASUTAKE			
4	ELCABLE		1											
3	SENSOR		1	TYPE P2										
2	BULKHEAD	SS400												
1	SENSOR		1	TYPE P2										
										INSTALLATION OF ELECTRODE SENSOR (LOWER STOOL/CARGO HOLD)				
										Q'TY 2 SET				

DET. OF B

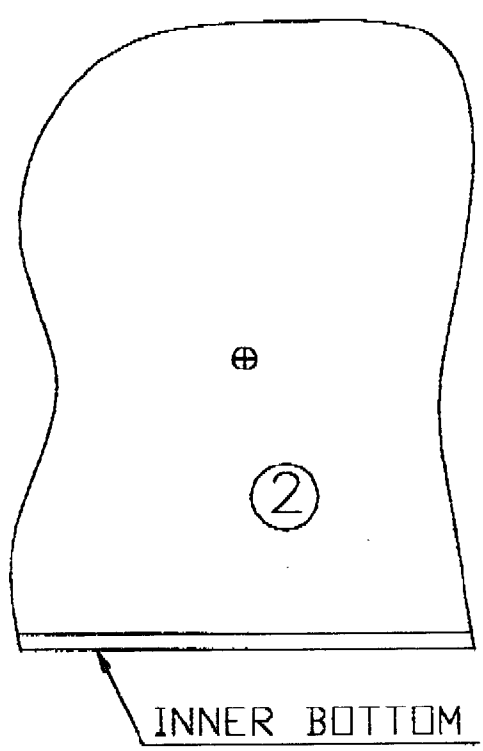
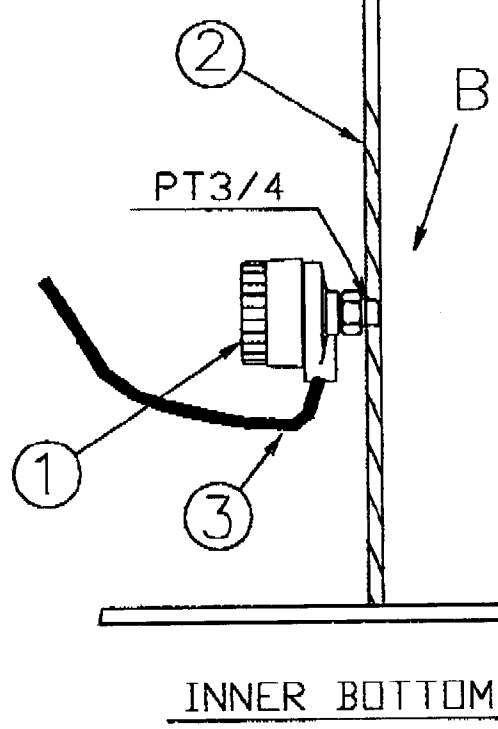


A

ENG. RM

CARGO HOLD

A-VIEW



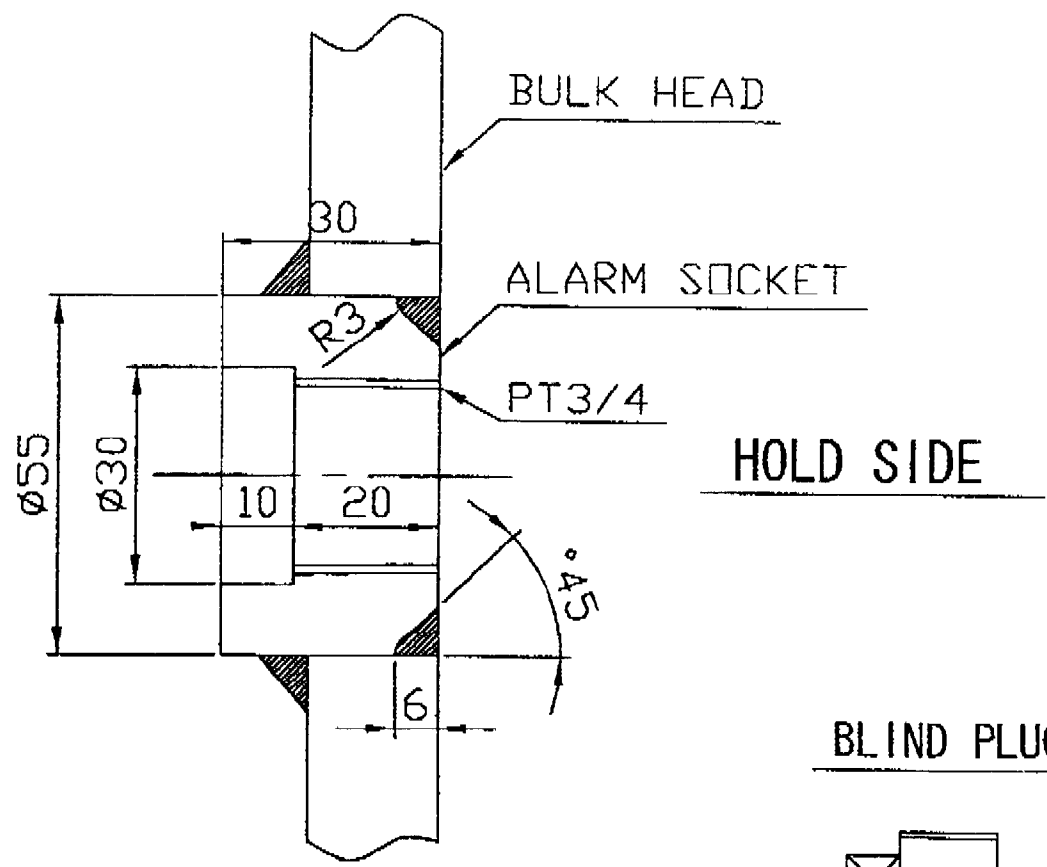
INNER BOTTOM

INNER BOTTOM

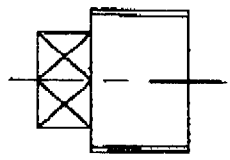
					SHIP YARD		INSTALLATION OF ELECTRODE SENSOR (ENG. RM. /CARGO HOLD) Q' TY 2 SET	
					SHIP No.			
					SCALE	1/15		
					SEAMATE INC.			
					SEC. HEAD			
3	ELCABLE		1	TYPE P2	CHECKED BY	Y. Y.		
2	BULKHEAD	SS400			DRAWN BY	YASUTAKE		
1	SENSOR		1	TYPE P2	DRG. No.	SM-BIL-200302		
NO.	NAME	MATERIAL	Q' TY	NOTE	WEIGHT			

# LEVEL SENSOR SOCKET

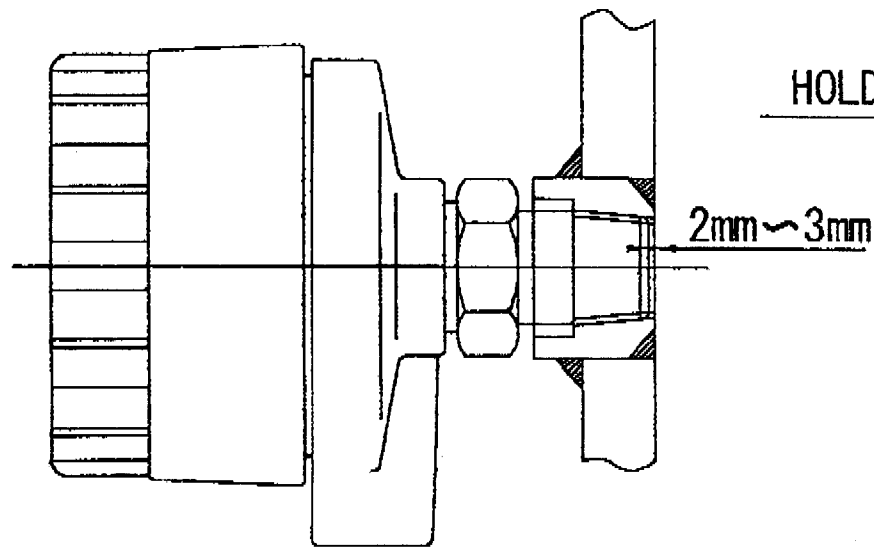
(S25C)

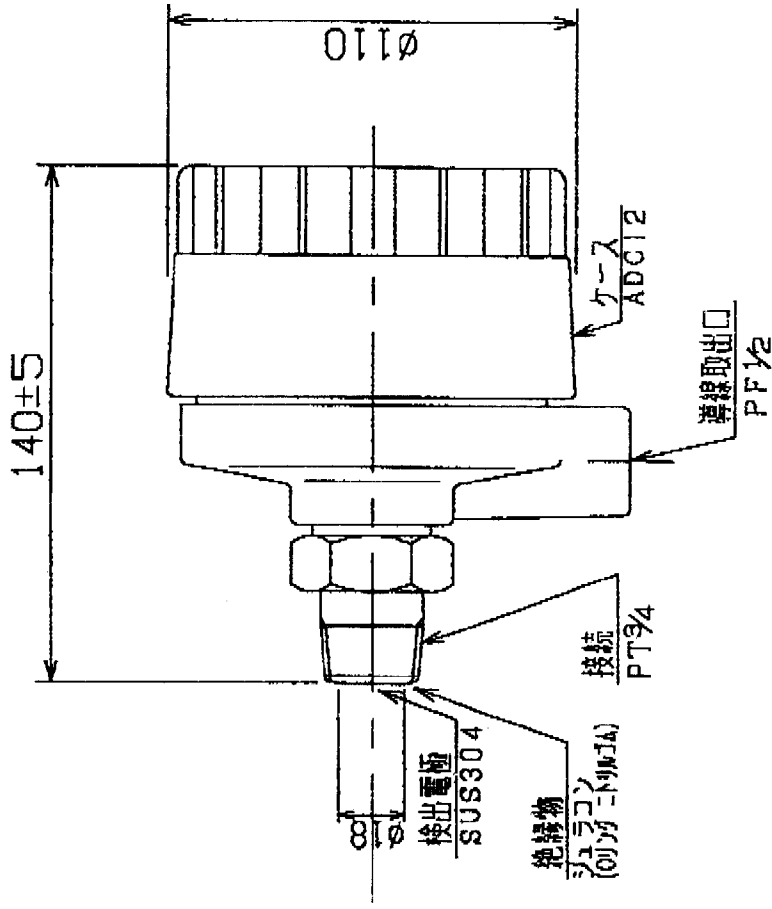


BLIND PLUG

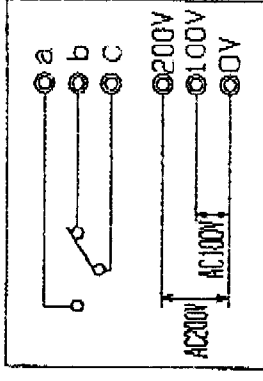


HOLD SIDE





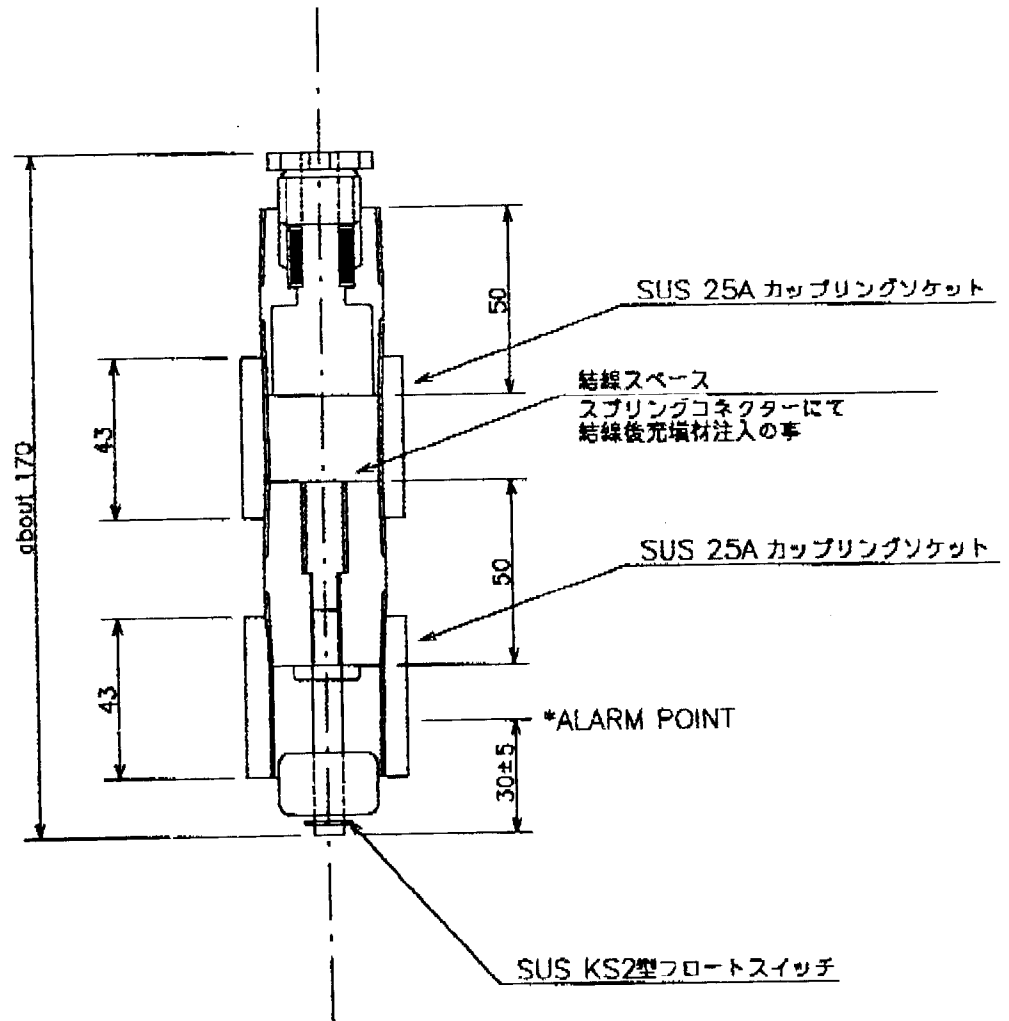
結線図



電 源 AC100V/200V±10% 50/60Hz  
 出力接点容量 125VA AC250Vmax 3Amax(断流負荷)  
 電断部許容圧力 水圧 2MPa max (-15~80℃)  
 ケース塗装色 シルバー

図名 TITLE	LT-P2型レベルセンサー 外形図	三角法 THIRD ANGLE PROJECTION METHOD	尺度 SCALE	N.I.S DWG No.	図番
承認 APPROVED	検図 CHECKED	製図 DRAWN	日付 DATE	山本電機工業株式会社 YAMAMOTO ELECTRIC INDUSTRIAL CO., LTD.	
記号 M.K	日付 DATE	図歴 REVISION			

LEVEL SWITCH FOR F.P.T.



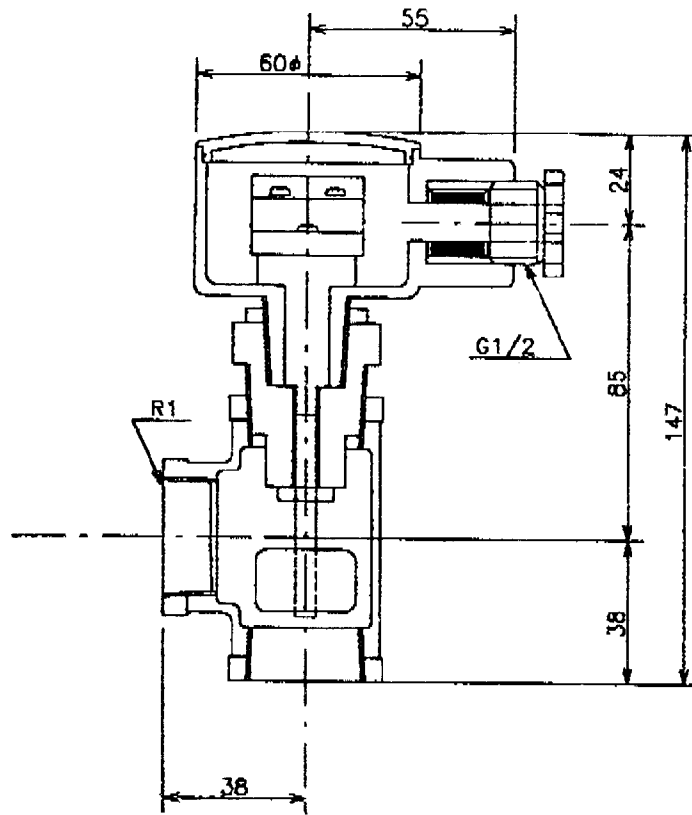
株式会社 シーメイト  
SEAMATE Inc.

外形図  
OUTLINE VIEW

図番  
DRW. No.

SEM030415-F1

LEVEL SWITCH FOR BOS'N STORE



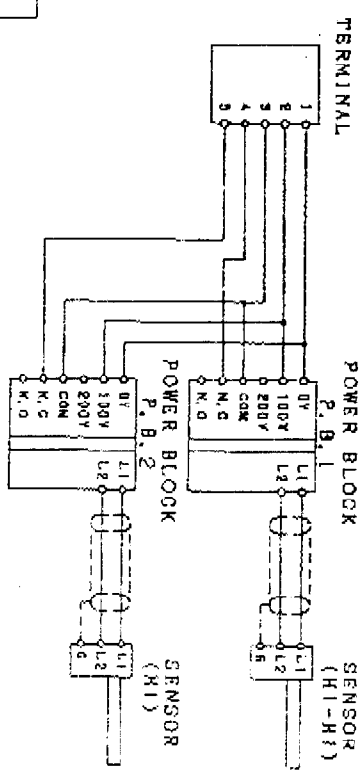
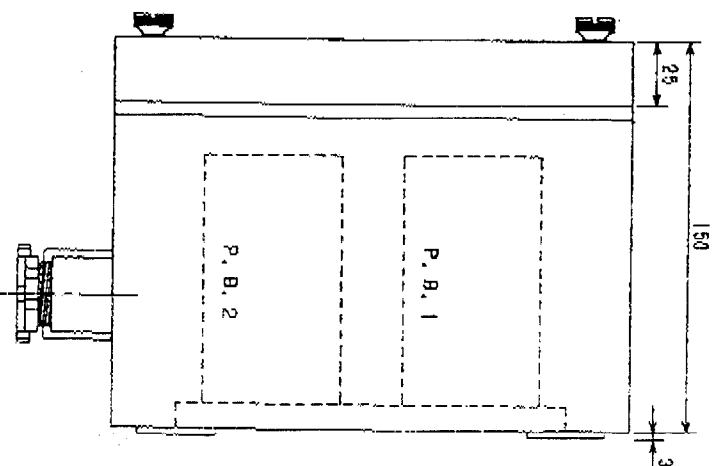
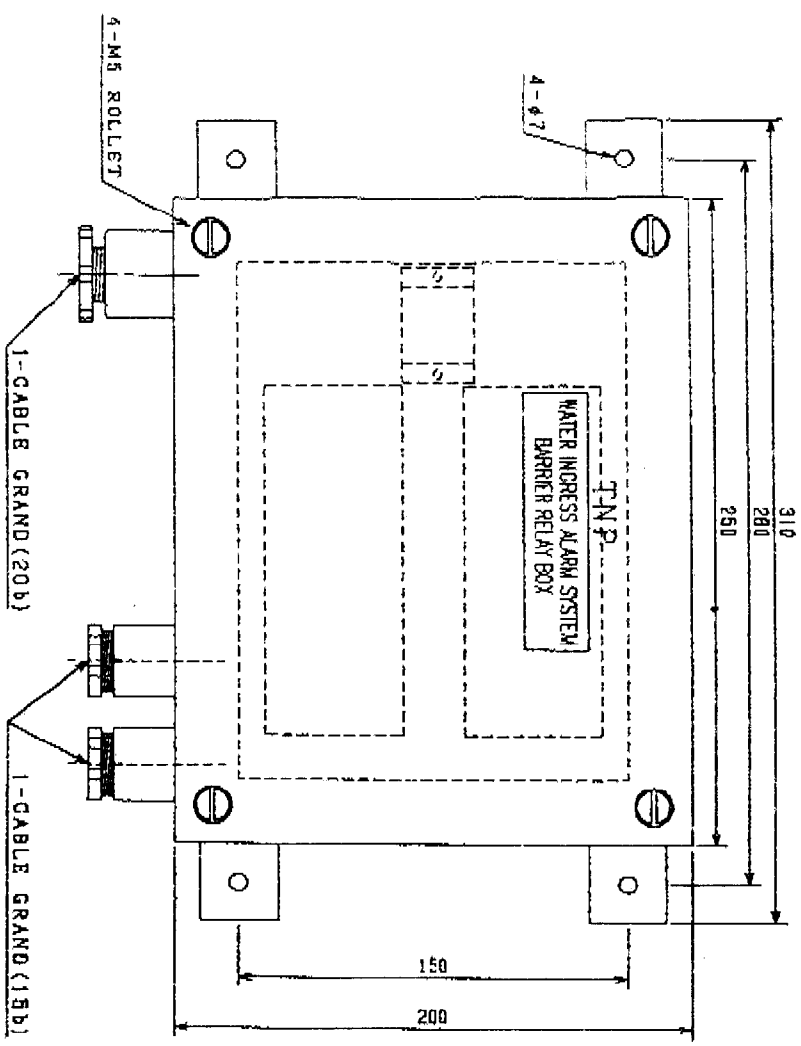
株式会社 シーメイト  
SEAMATE Inc.

外形図  
OUTLINE VIEW

図番  
DRW. No.

SEM030421-F1

BARRIER RELAY BOX FOR WATER INGRESS ALARM



BOX TYPE DRIP PROOF STAINLESS STEEL 12.0

PAINTING COLOR 7.5B67/2 HALF GLOSS

NO. 151A39	REVISION	DATE	NAME
△	△	DRM 1	
△	△	CRD	
△	△		

株式会社 シーメイト  
SEAMATE INC.

外形図  
OUTLINE VIEW

図番  
DRM NO.  
SEM030401-33