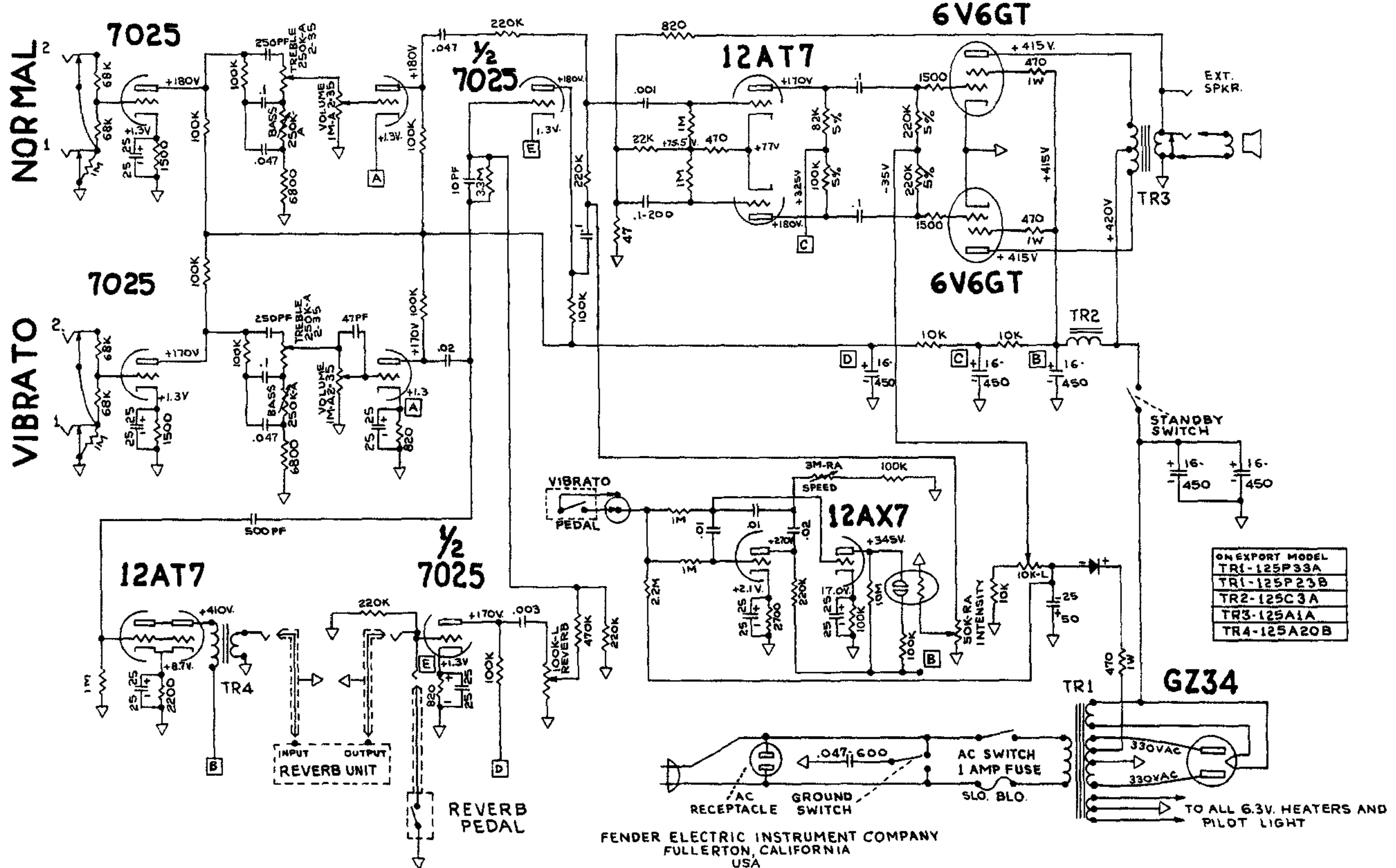


FENDER MODEL "DELUXE REVERB-AMP AB 763" SCHEMATIC NOTICE

THIS PRODUCT MANUFACTURED UNDER ONE OR MORE OF THE FOLLOWING U.S. PATENTS
 CIRCUIT PATENT # 2817708, # 2973681
 DESIGN PATENT # 192859

C - FD

- 1 - VOLTAGES READ TO GROUND WITH ELECTRONIC VOLTMETER VALUES SHOWN + OR - 20%
- 2 - ALL RESISTORS 1/2 WATT 10% TOLERANCE IF NOT SPECIFIED
- 3 - ALL CAPACITORS AT LEAST 400 VOLT RATING IF NOT SPECIFIED



FENDER ELECTRIC INSTRUMENT COMPANY
 FULLERTON, CALIFORNIA
 USA