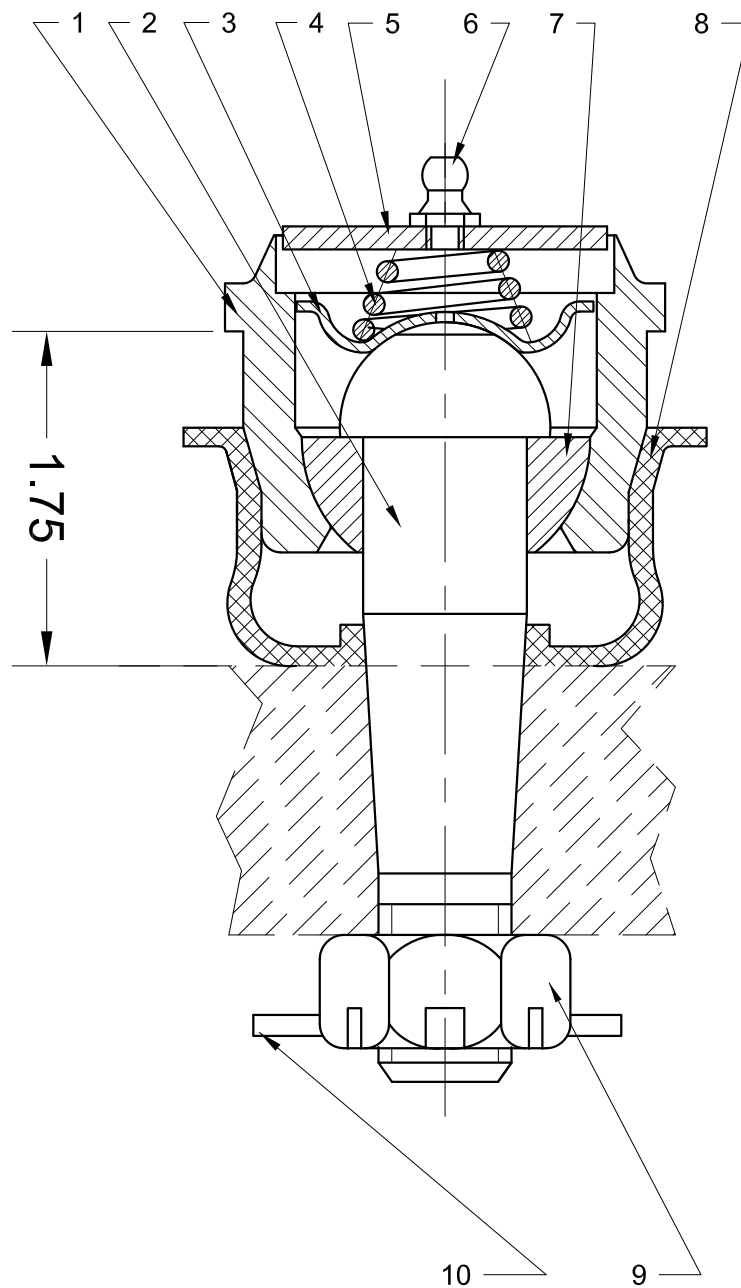


NO.	TITLE	PART NO.	PCS.	DWG NO
	BODY	1141-2-1/4DIA	1	BJ-07831 SAE1545
	STUD	ST783	1	BJ-07832 SAE1030
	COVER	LV-M3821	1	
	SPRING	SP200	1	
	LID	P2400-9	1	
	GREASE FITTING	G/F3	1	
	P.M.BUSHING	W10277	1	
	RUBBER BOOT	B10277	1	
	CASTLE NUT	093-024	1	
	COTTER PIN	B165-117	1	

NO	MODIFICATION	DATE	NAME
1			
2			



MILIMETERS		INCHES	
DIM.	TOL.	DIM.	TOL.
XXX.XXX	± 0.10	XXX.XXX	± 0.005
XXX.XX	± 0.25	XXX.XX	± 0.010
XXX.X	± 0.10	XXX.X	± 0.020
XXX	± 1.00	XXX	± 0.040
DIMENSION	MM	INCH	
CAD	A.P.		
CAM	A.P.		

QXB Engineering™

Title: **BALL JOINT**

Dwg No. **QXB-BJ-0783**

Material:

Weight:

Scale:

Size: **A12**

Sheet no.

Assembly T/No.