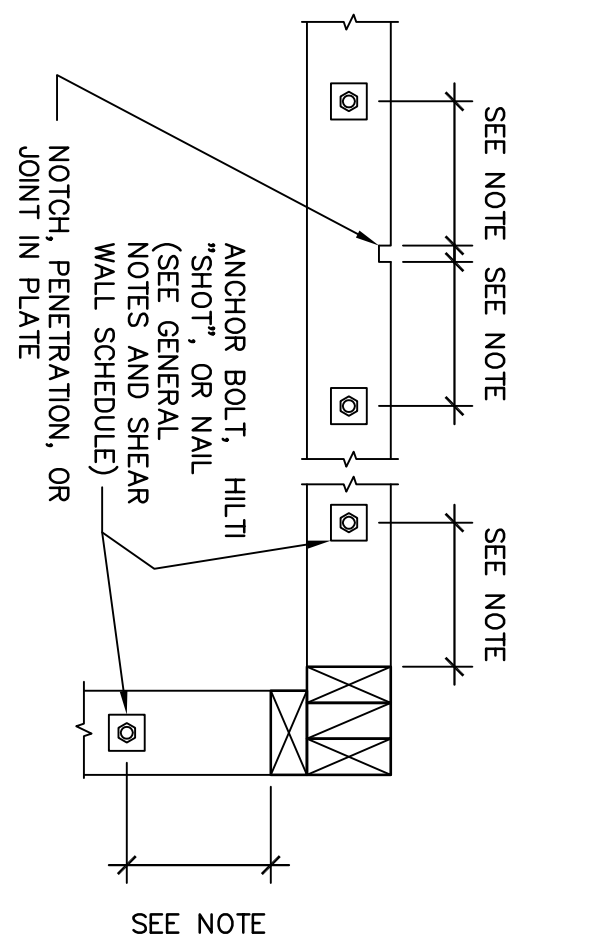


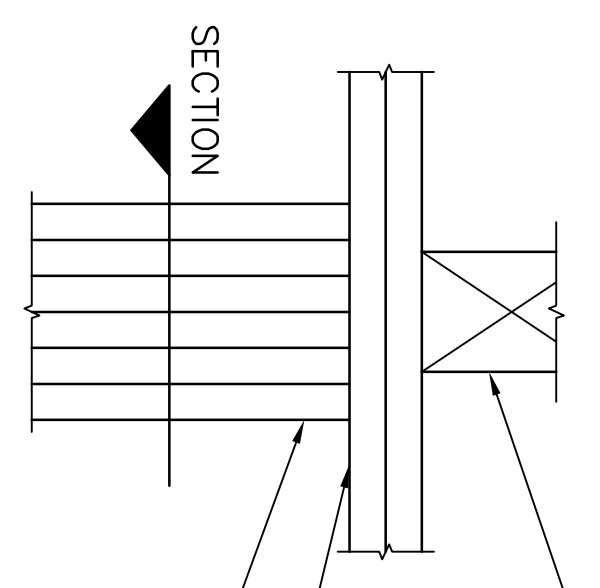
1 TYP PLAN DETAIL AT WALL CORNER  
S3.0 SCALE: 3/8"=1'-0"

NOTES:  
1. MULTIPLE STUD CONNECTION SHALL BE A MINIMUM OF 12" O.C. (STAGGERED) PER LAYER



2 TYP PLAN DETAIL AT SILL PLATE ANCHORAGE  
S3.0 SCALE: 1/2"=1'-0"

NOTES:  
1. DIMENSION NOTED SHALL BE 6" (MAX.) IF ANCHORAGE IS ANCHOR BOLT OR HALF OF THE SPECIFIED SPACING IF ANCHORAGE IS HILTI "SHOT" OR NAIL.



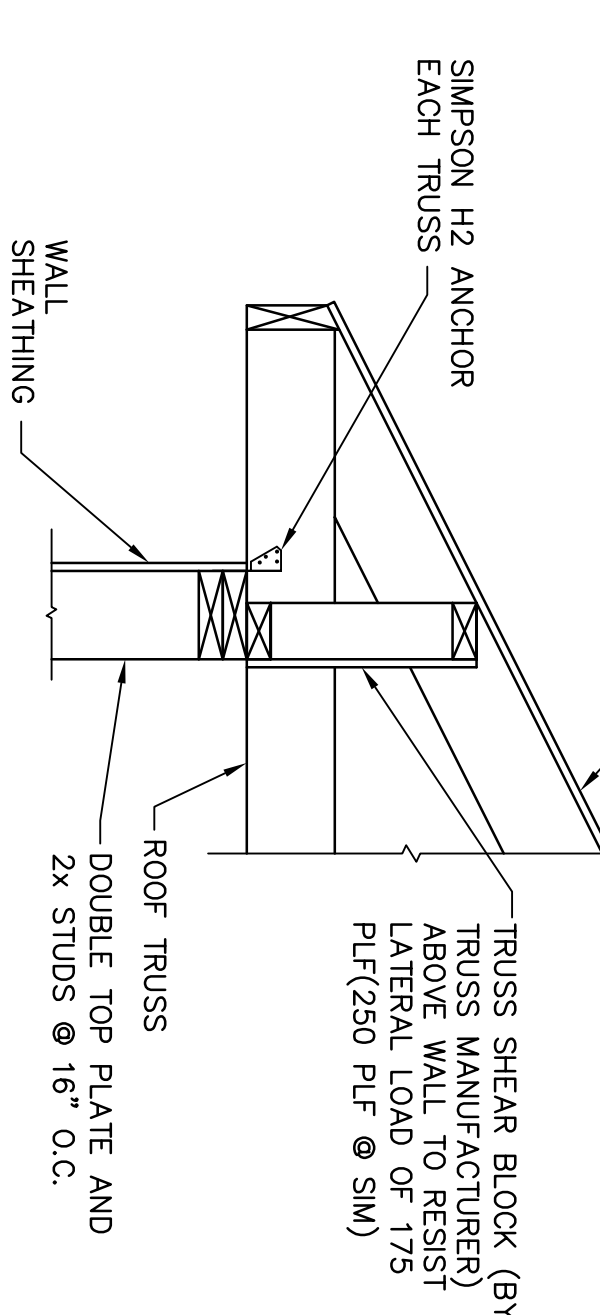
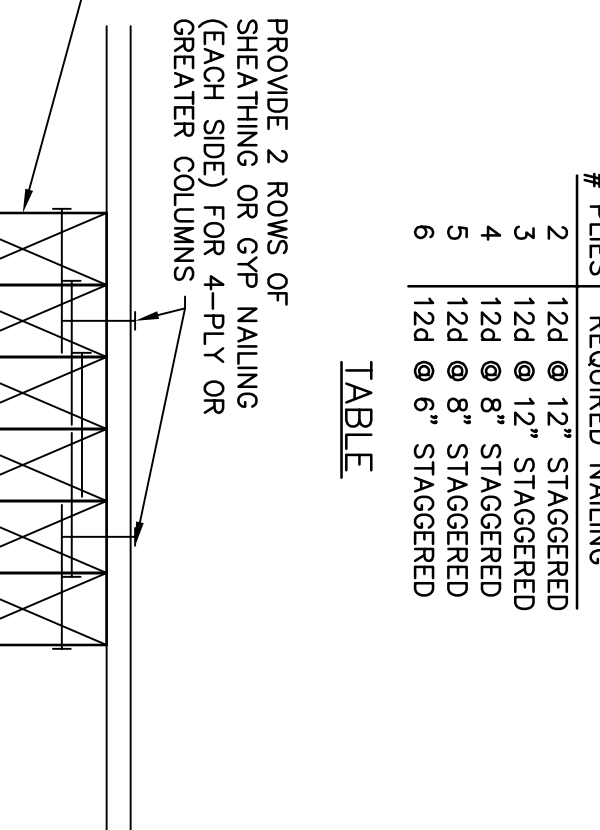
3 TYP COLUMN DETAIL  
S3.0 SCALE: N.T.S.

BEAM OR TRUSS - SEE PLAN  
DOUBLE TOP PLATE  
BUILT-UP COLUMN PER FRAMING PLAN OR GENERAL NOTES

# PUESI | REQUIRED NAILING

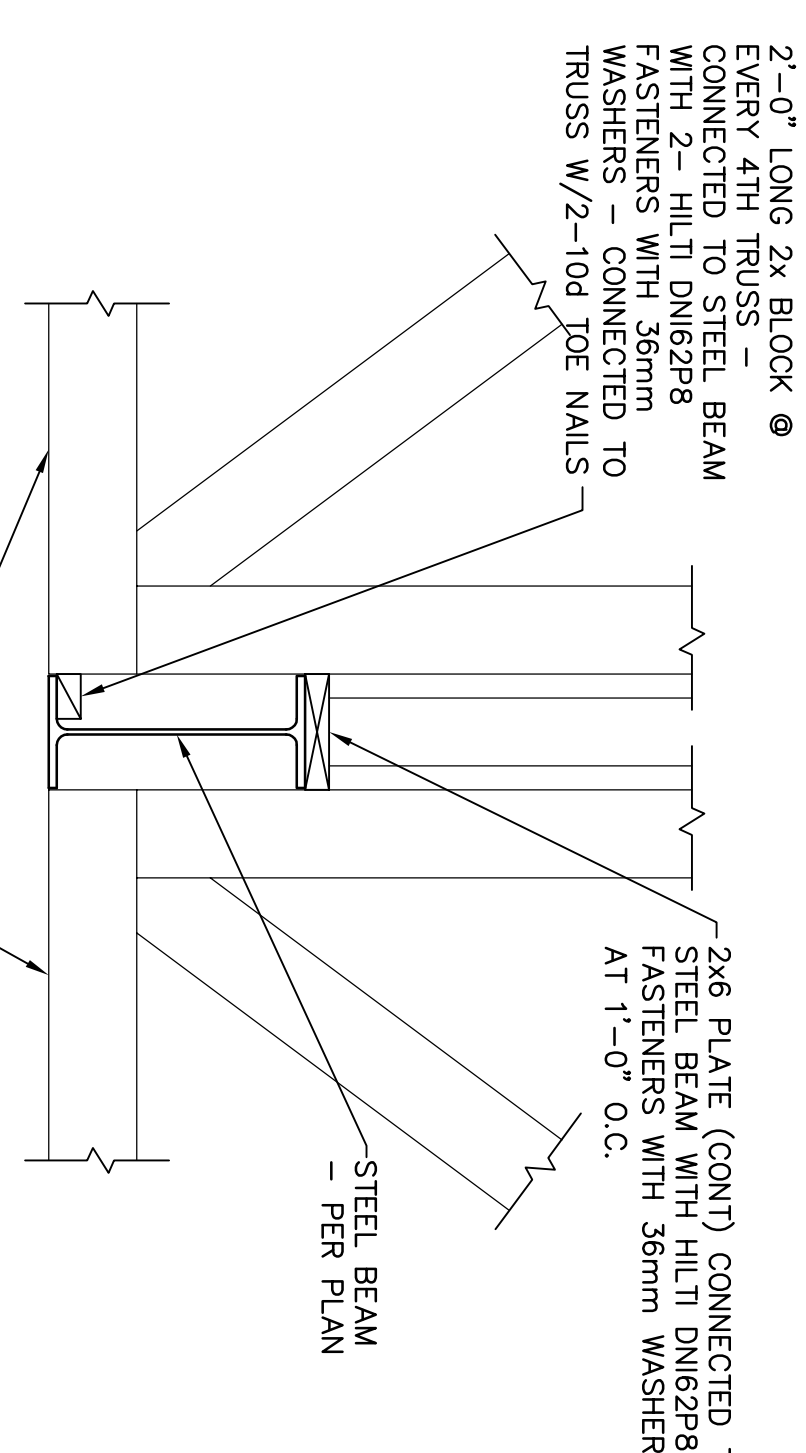
2	12d @ 12" STAGGERED
3	12d @ 12" STAGGERED
4	12d @ 8" STAGGERED
5	12d @ 8" STAGGERED
6	12d @ 6" STAGGERED

TABLE



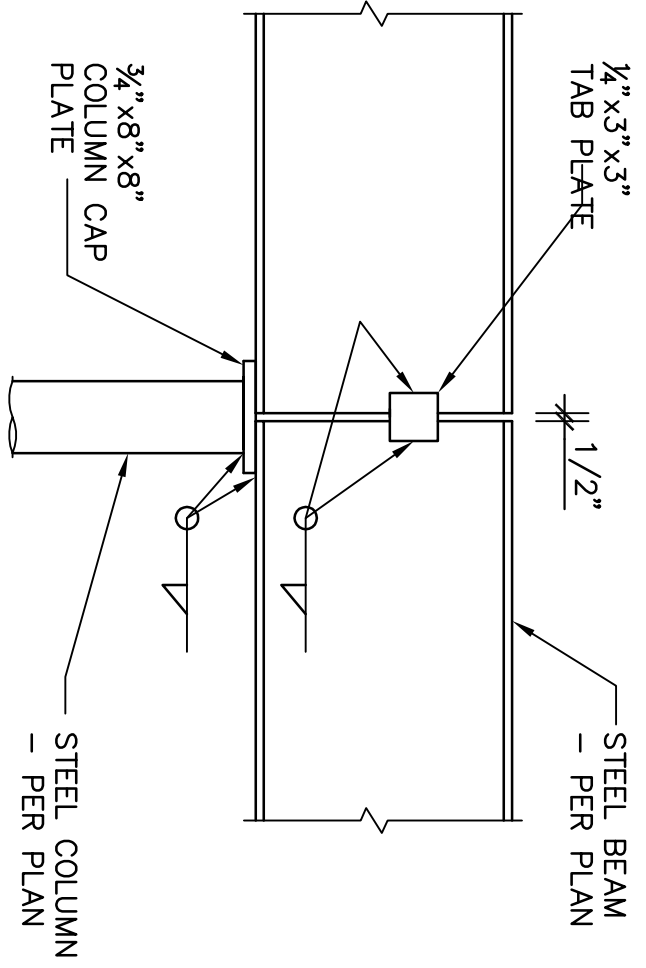
4 TYP DETAIL AT EAVE  
S3.0 SCALE: N.T.S.

TRUSS SHEAR BLOCK (BY TRUSS MANUFACTURER) ABOVE WALL TO RESIST LATERAL LOAD OF 1/5 PLF (290 PLF @ SIM)  
ROOF DECK  
WALL SHEATHING  
ROOF TRUSS  
DOUBLE TOP PLATE AND 2X STUDS @ 16" O.C.  
SIMPSON H2 ANCHOR EACH TRUSS



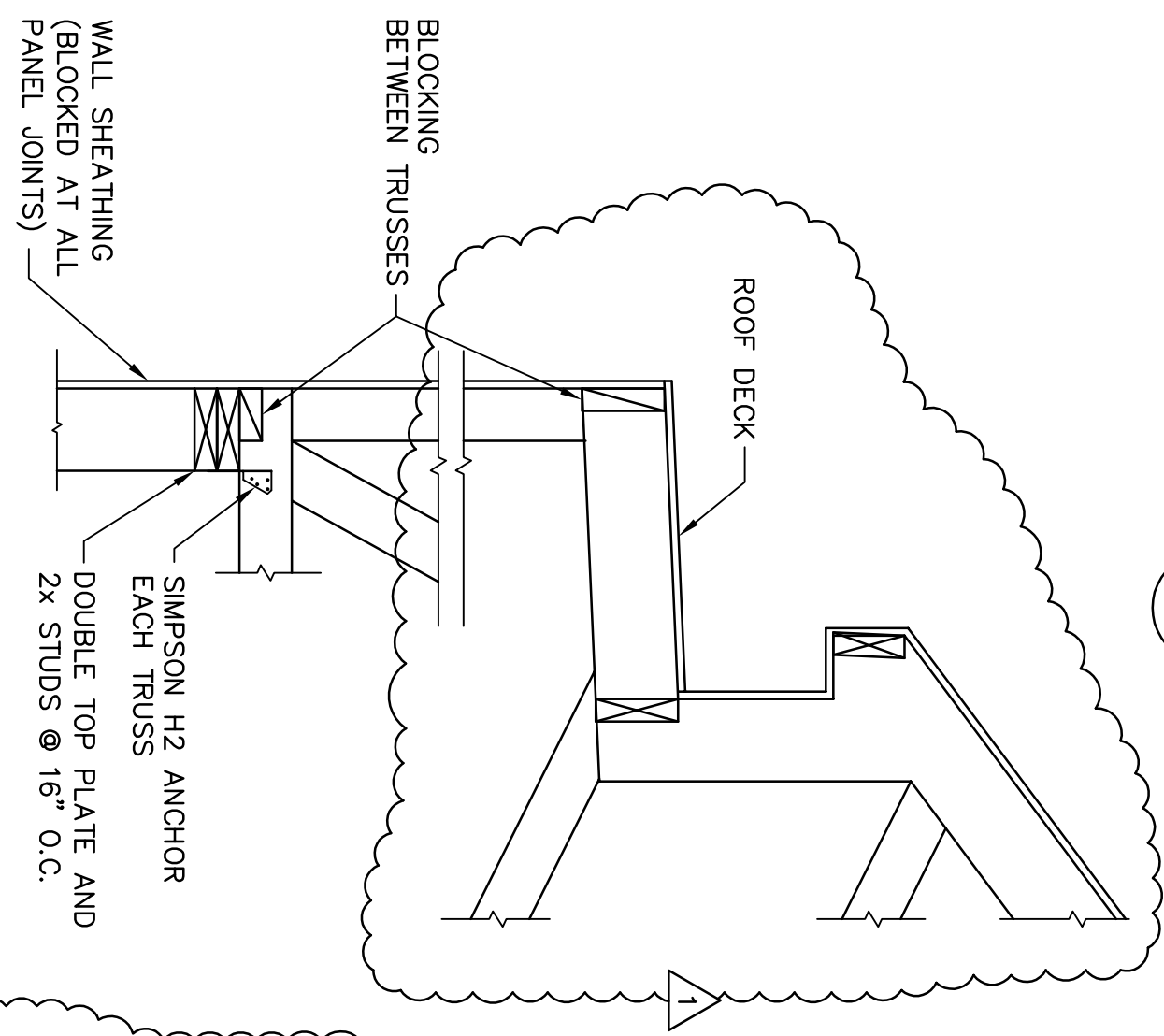
5 SECTION  
S3.0 SCALE: N.T.S.

2'-0" LONG 2x6 BLOCK @ EVERY 4TH TRUSS - CONNECTED TO STEEL BEAM WITH 2 - HILTI DN62P8 FASTENERS WITH 36mm WASHERS - CONNECTED TO TRUSS W/ 2-10d TOE NAILS  
2x6 PLATE (CONT) CONNECTED TO STEEL BEAM WITH HILTI DN62P8 FASTENERS WITH 36mm WASHERS AT 1'-0" O.C.  
STEEL BEAM - PER PLAN  
TRUSS TO BE SUPPORTED BY 2x6 ON STEEL BEAM (END MEMBER SUPPORTED ON BEAM) - 3-10d TOE NAILS AT EACH TRUSS



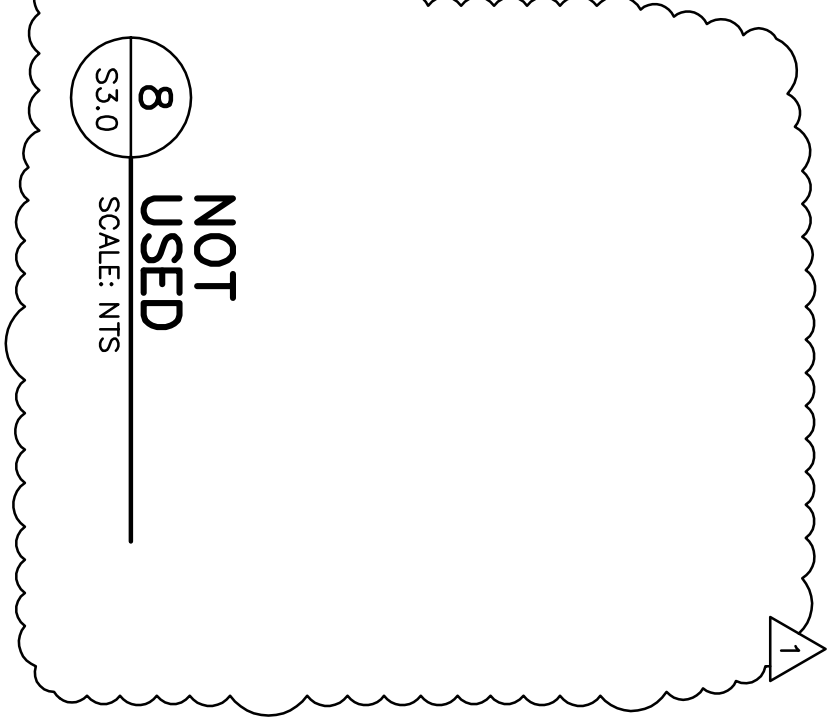
6 SECTION  
S3.0 SCALE: N.T.S.

1/2" x 3" x 3" TAB PLATE  
3/8" x 8" x 8" COLUMN CAP PLATE  
STEEL BEAM - PER PLAN  
STEEL COLUMN - PER PLAN  
NOTE: BEAM IS CONTINUOUS OVER TOP OF COLUMN AT SIM CONDITION

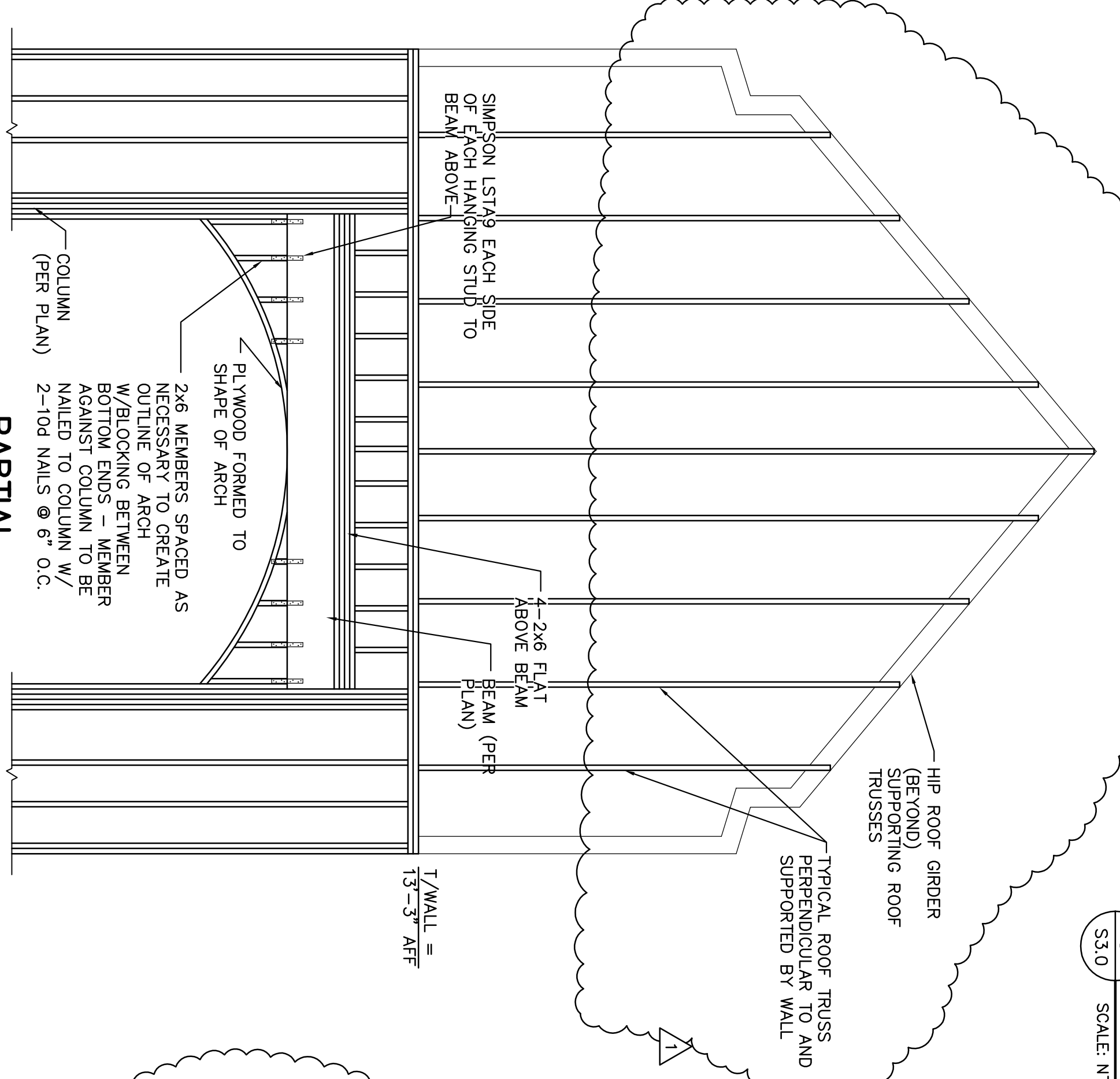


7 TYP DETAIL AT TOWER EAVE  
S3.0 SCALE: N.T.S.

ROOF DECK  
BLOCKING BETWEEN TRUSSES  
WALL SHEATHING (BLOCKED AT ALL PANEL JOINTS)  
SIMPSON H2 ANCHOR EACH TRUSS  
DOUBLE TOP PLATE AND 2X STUDS @ 16" O.C.

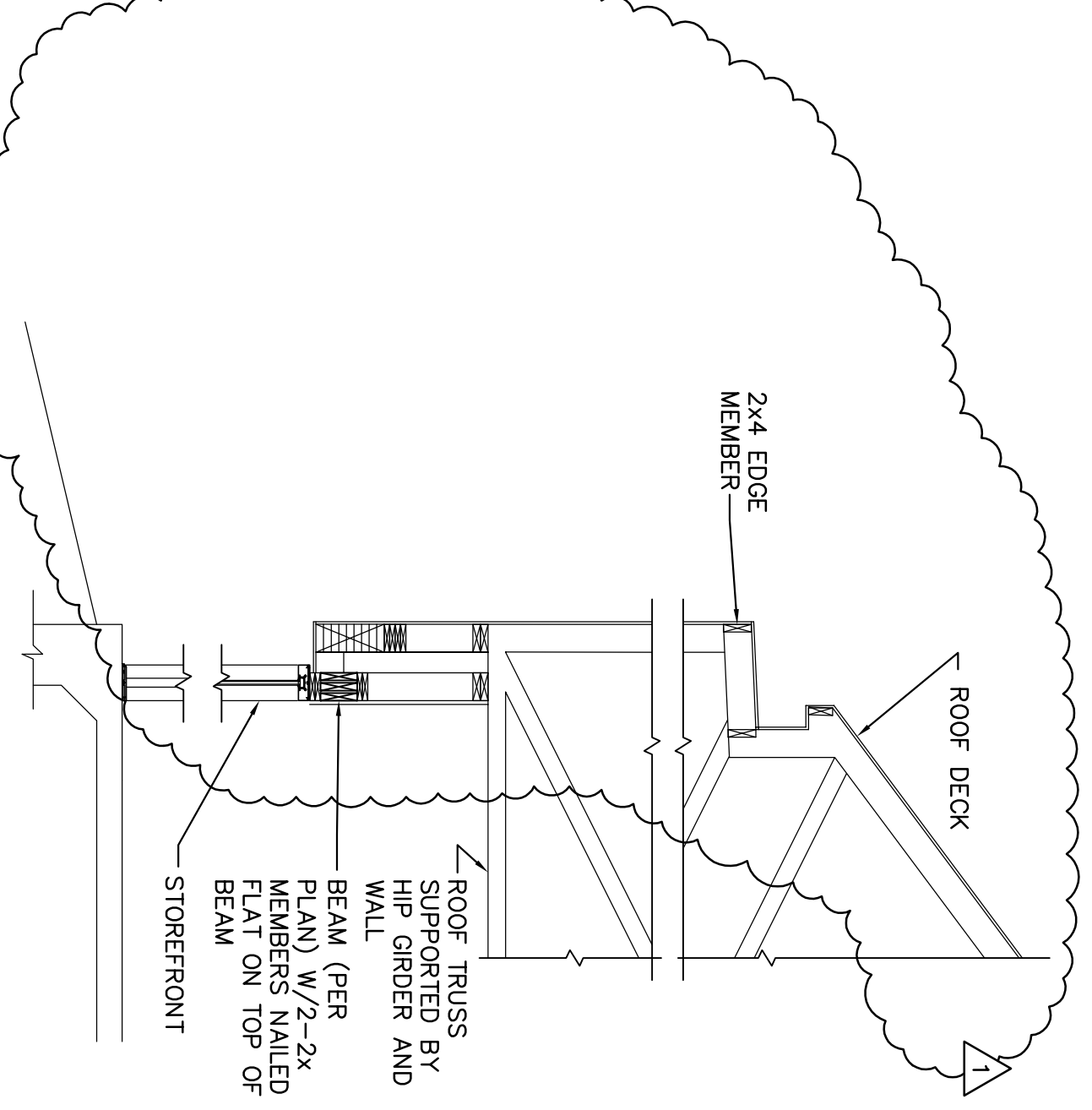


8 NOT USED  
S3.0 SCALE: N.T.S.



9 PARTIAL ELEVATION  
S3.0 SCALE: 3/8"=1'-0"

HIP ROOF GIRDER (BEYOND) SUPPORTING ROOF TRUSSES  
TYPICAL ROOF TRUSS PERPENDICULAR TO AND SUPPORTED BY WALL  
4-2x6 FLAT ABOVE BEAM BEAM (PER PLAN)  
SIMPSON LSTJ9 EACH SIDE OF EACH HANGING STUD TO BEAM ABOVE  
PLYWOOD FORMED TO SHAPE OF ARCH  
2x6 MEMBERS SPACED AS NECESSARY TO CREATE OUTLINE OF ARCH  
W/BLOCKING BETWEEN BOTTOM ENDS - MEMBER AGAINST COLUMN TO BE NAILED TO COLUMN W/ 2-10d NAILS @ 6" O.C.  
COLUMN (PER PLAN)



10 SECTION  
S3.0 SCALE: N.T.S.

ROOF TRUSS SUPPORTED BY HIP GIRDER AND WALL  
2x4 EDGE MEMBER  
ROOF TRUSS SUPPORTED BY HIP GIRDER AND WALL  
BEAM (PER PLAN) W/ 2-2x MEMBERS NAILED FLAT ON TOP OF BEAM  
ROOF DECK  
STOREFRONT

THE SEAL APPEARING ON THIS DOCUMENT WAS AUTHORIZED BY MICHAEL D. LEA, P.E. 88556 ON 03/16/2009. ANY REPRODUCTION OR A SEALED DOCUMENT WITHOUT PROPER NOTIFICATION TO THE OFFICE UNDER THE TEXAS ENGINEERING PRACTICE ACT.



CONTRACTOR SHALL VERIFY ALL DIMENSIONS AT THE JOB SITE AND NOTIFY THE ARCHITECTS OF ANY DIMENSIONAL ERRORS, OMISSIONS OR DISCREPANCIES BEFORE BEGINNING OR FABRICATING ANY WORK.  
DO NOT SCALE DRAWINGS.

04/30/2009	GENERAL REVISION	MDL
DATE	REVISIONS	BY

**linear!**  
the architecture of Kemery Brundige and Young  
5005 W Royal Lane Suite 144  
Irving, TX 75063  
Phone: 972.929.9226  
Fax: 972.929.8266  
inbox@linear-architecture.com

COOK CHILDREN'S  
PRIMARY CARE CLINIC  
BURLESON, TX

STRUCTURAL ENGINEER OF RECORD  
**MICHAEL LEA**  
ENTERPRISES  
STRUCTURAL ENGINEERING SERVICES  
TEXAS ENGINEERING FIRM REGISTRATION # 7474  
3350 BINYON AVENUE  
FORT WORTH, TEXAS 76133  
PHONE: 817-454-8032  
FAX: 817-487-5551  
M.E. JOB NUMBER  
09-10

SHEET TITLE  
STRUCTURAL FRAMING DETAILS  
SHEET NUMBER  
JOB NUMBER  
09.016  
DATE OF ORIGINAL ISSUE  
MARCH 16, 2009