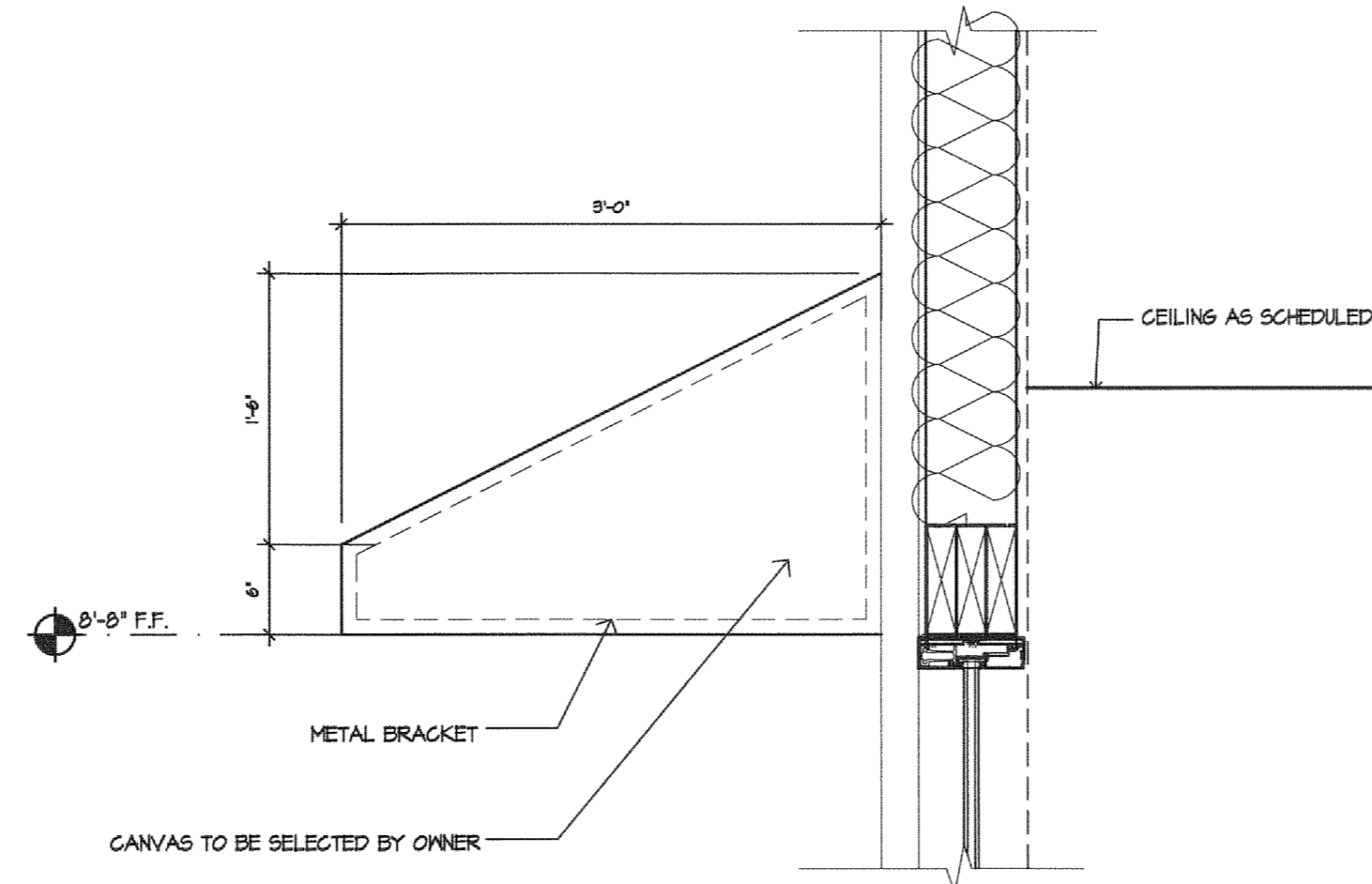
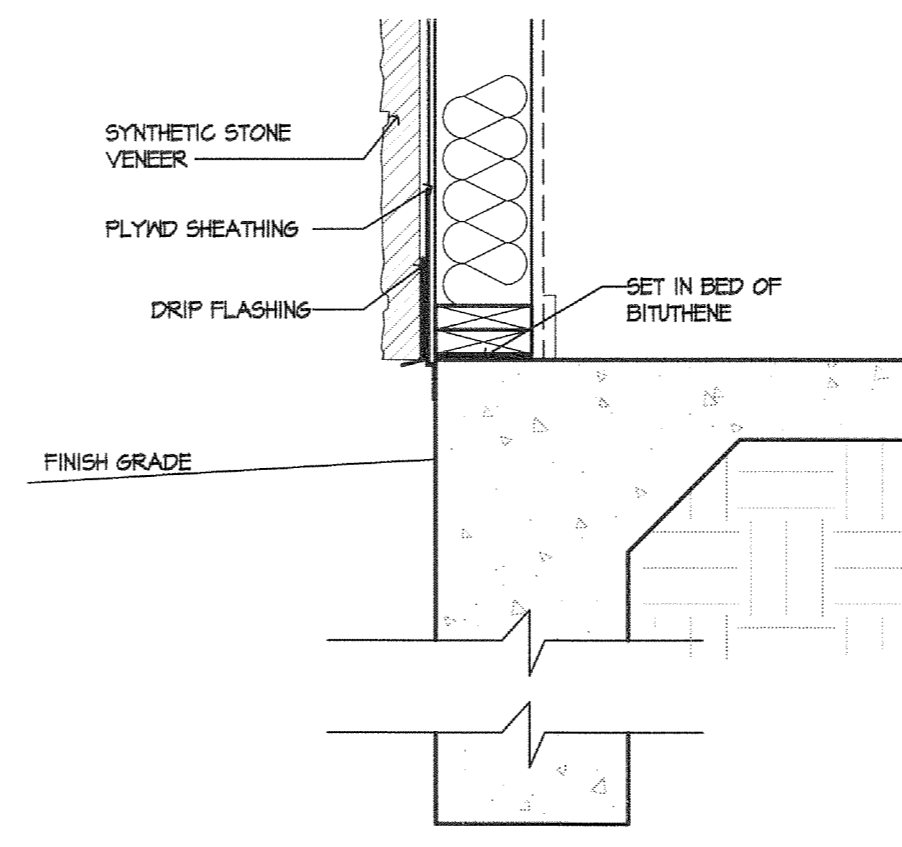


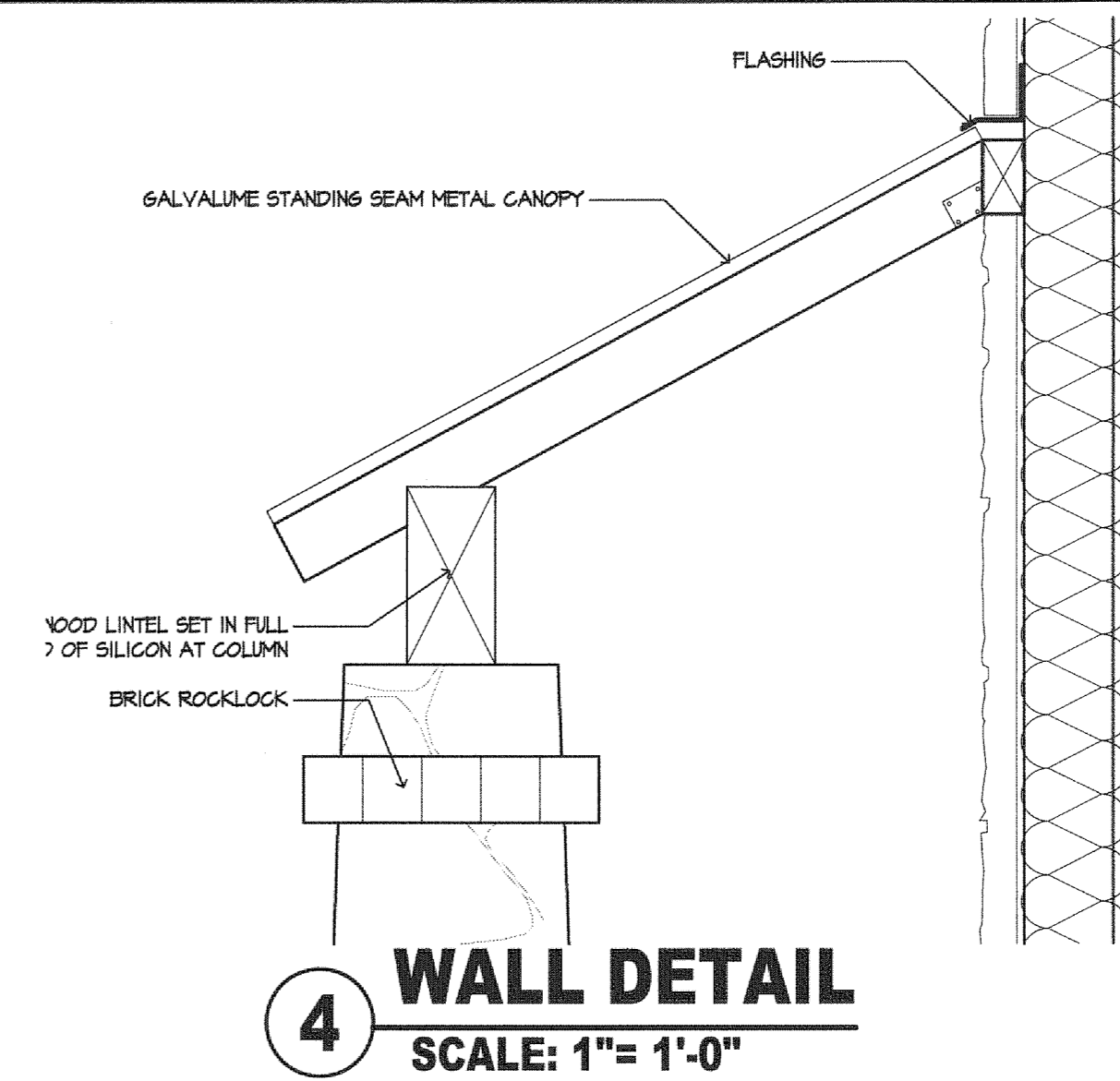
7 WALL DETAIL
SCALE: 1"= 1'-0"



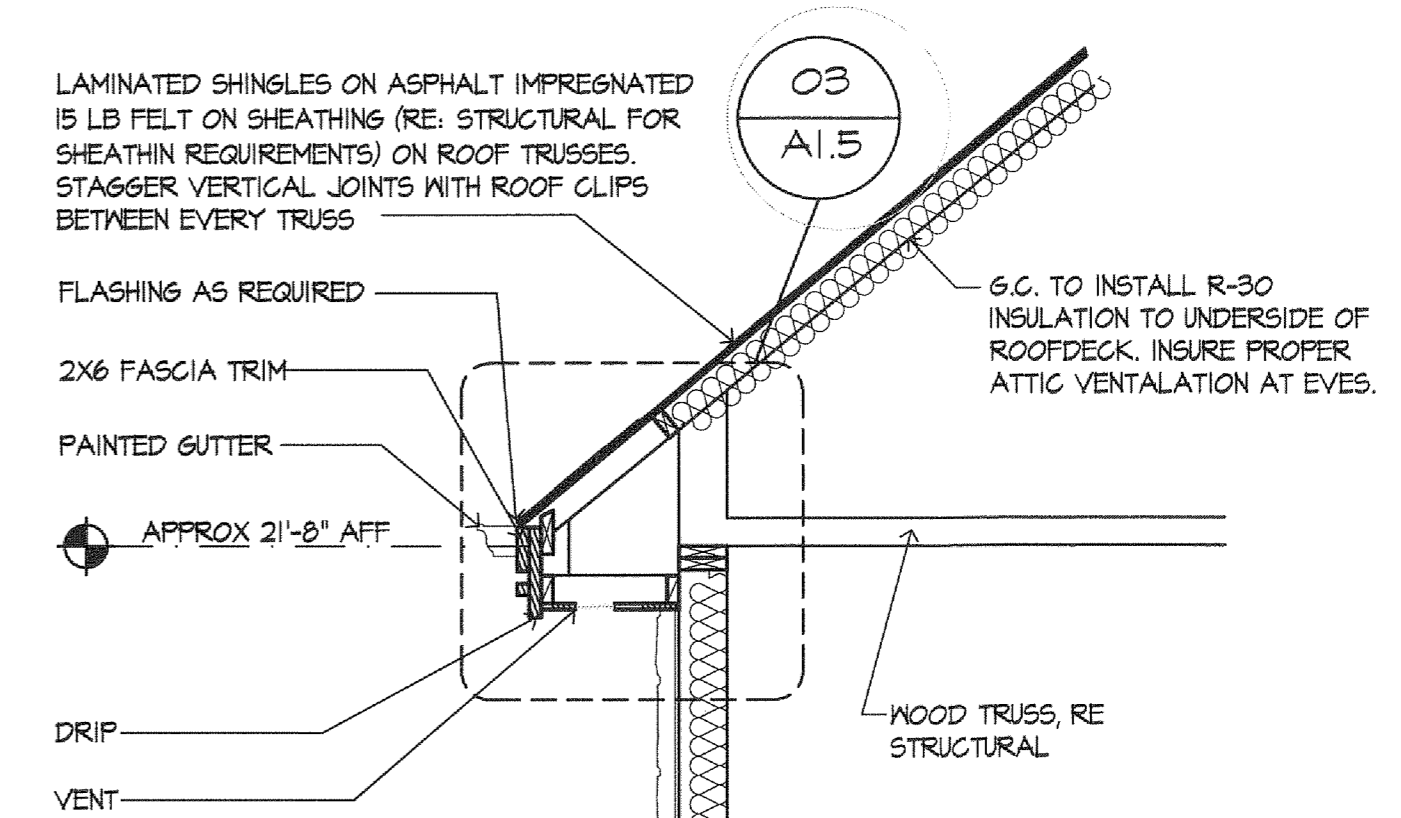
6 WALL DETAIL
SCALE: 1"= 1'-0"



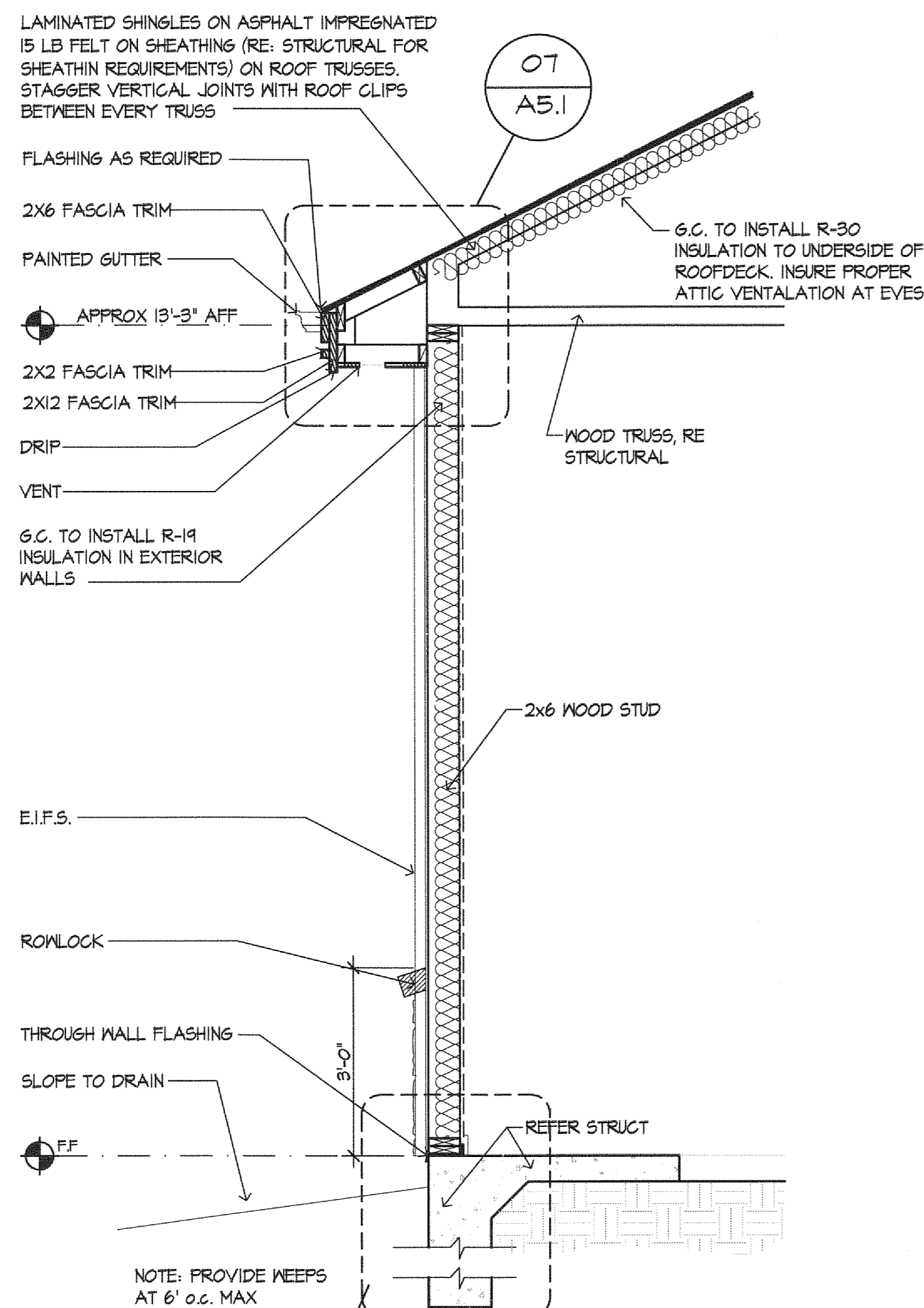
5 WALL DETAIL
SCALE: 1"= 1'-0"



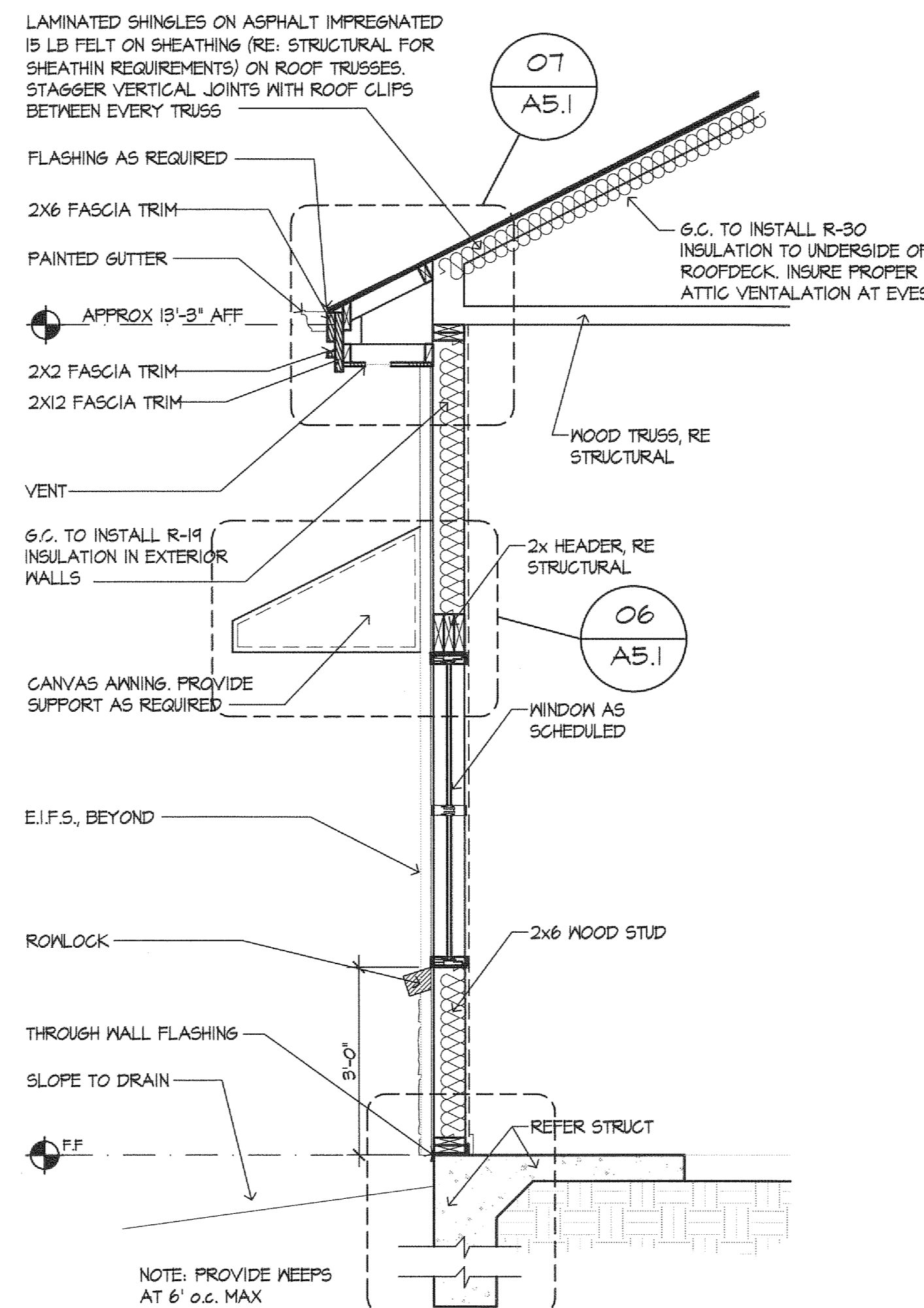
4 WALL DETAIL
SCALE: 1"= 1'-0"



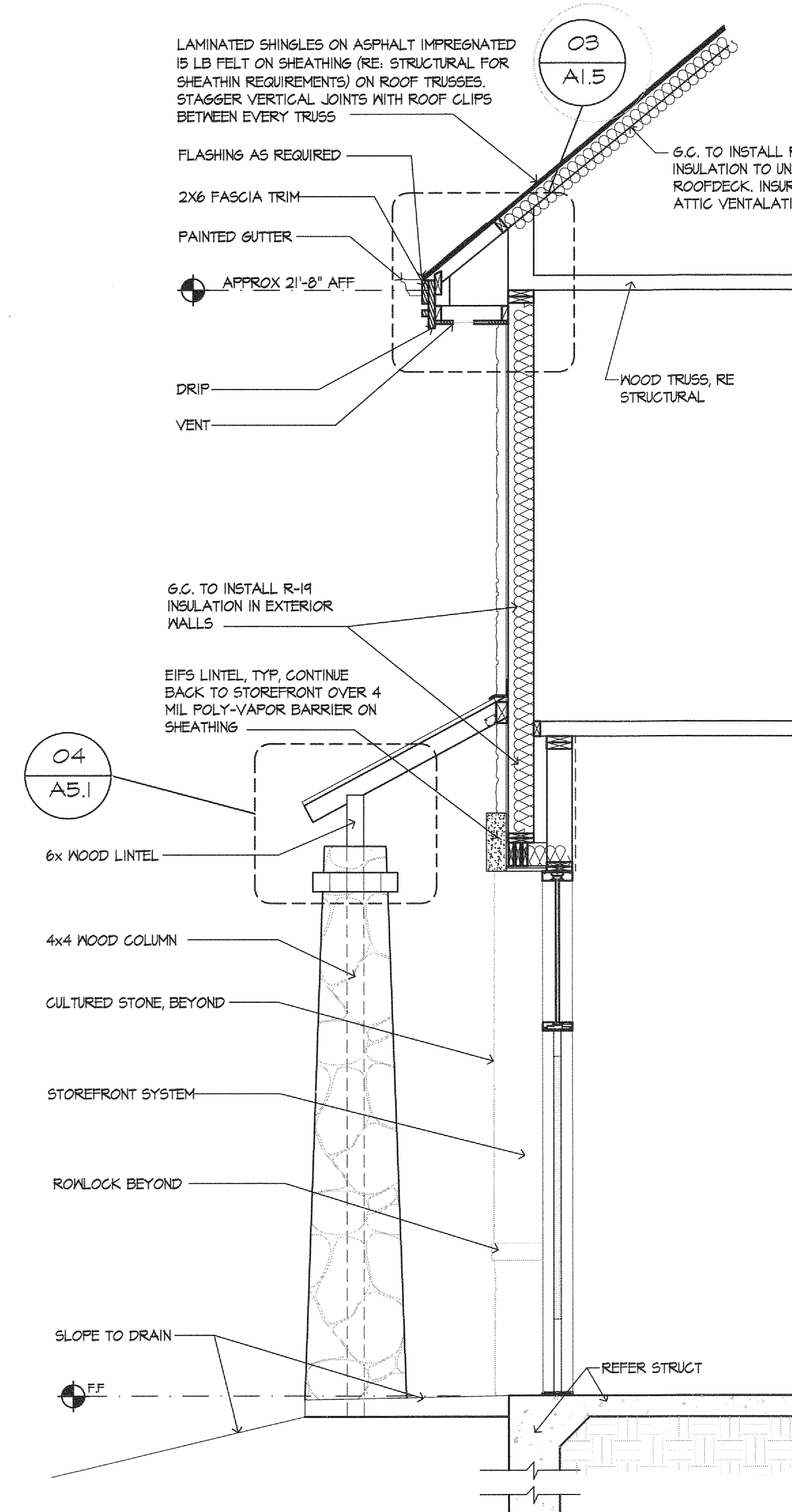
3 WALL DETAIL
SCALE: 1/2"= 1'-0"



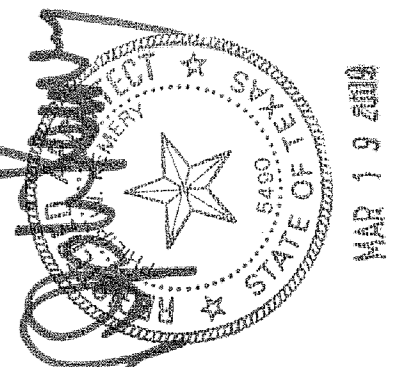
7 WALL SECTION
SCALE: 1/2"= 1'-0"



6 WALL SECTION
SCALE: 1/2"= 1'-0"



4 WALL SECTION
SCALE: 1/2"= 1'-0"



Linear!
the architecture of Kermey Brundige and Young
8600 Freepoint pkwy. Ste. 310
Irving, TX 75063
Phone: 972.929.9226
Fax: 972.929.9061
info@linear-architecture.com

**COOK CHILDREN'S
PRIMARY CARE CLINIC**
BURLESON, TX

JOB NUMBER
09.016

SHEET TITLE
**WALL
SECTIONS**

SHEET NUMBER

A5.1

DATE OF ORIGINAL ISSUE
MARCH 16, 2009

CONTRACTOR SHALL VERIFY ALL DIMENSIONS AT THE JOB SITE AND NOTIFY THE ARCHITECTS OF ANY DIMENSIONAL ERRORS, OMISSIONS OR DISCREPANCIES BEFORE BEGINNING OR FABRICATING ANY WORK. DO NOT SCALE DRAWINGS.