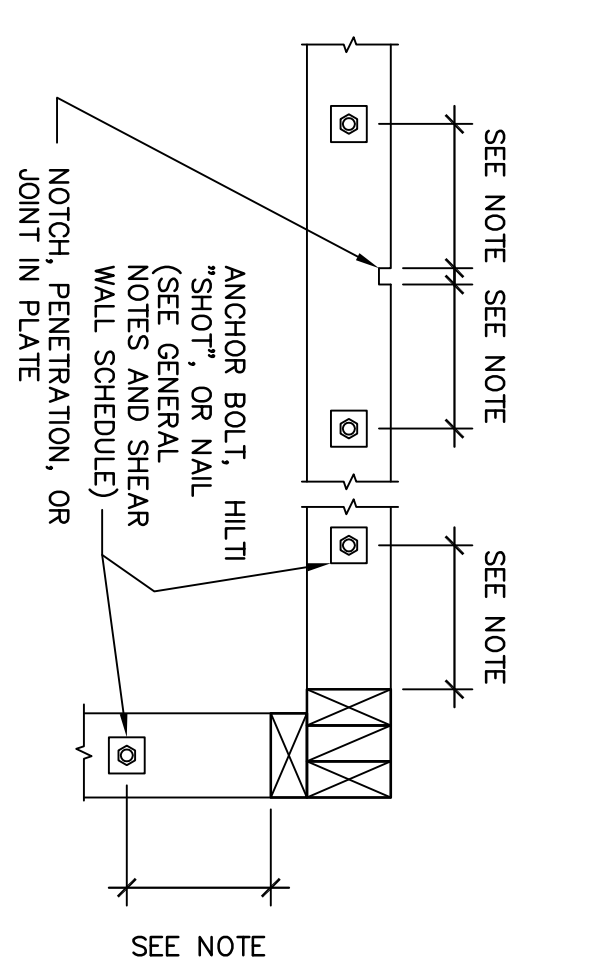


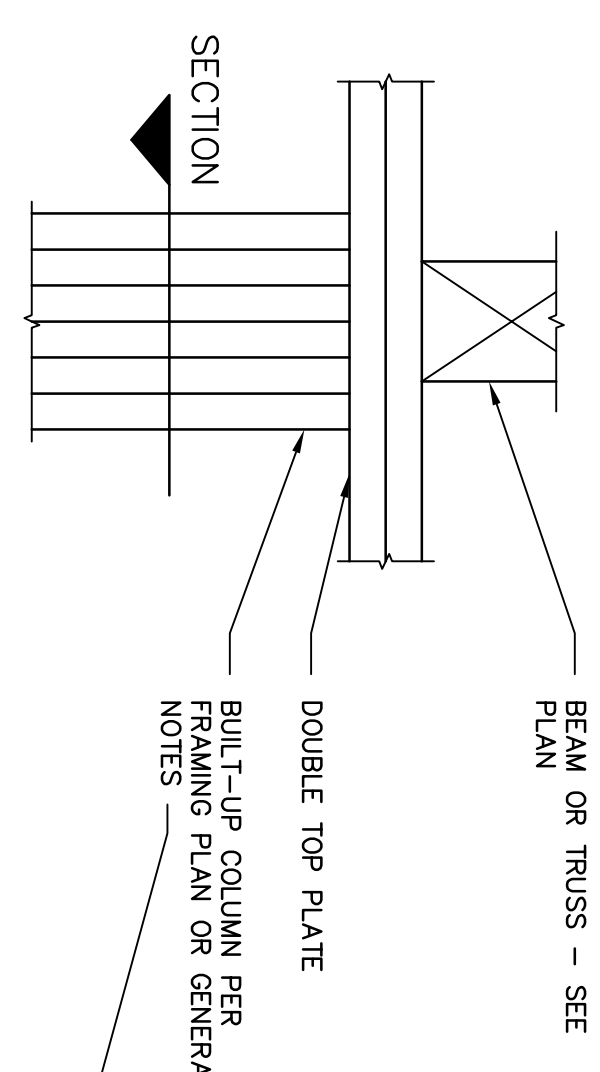
1 TYP PLAN DETAIL AT WALL CORNER
S3.0 SCALE: 3/8"=1'-0"

NOTES:
1. MULTIPLE STUD CONNECTION SHALL BE A MINIMUM OF 12d NAILS AT 12" O.C. (STAGGERED) PER LAYER



2 TYP PLAN DETAIL AT SILL PLATE ANCHORAGE
S3.0 SCALE: 1/2"=1'-0"

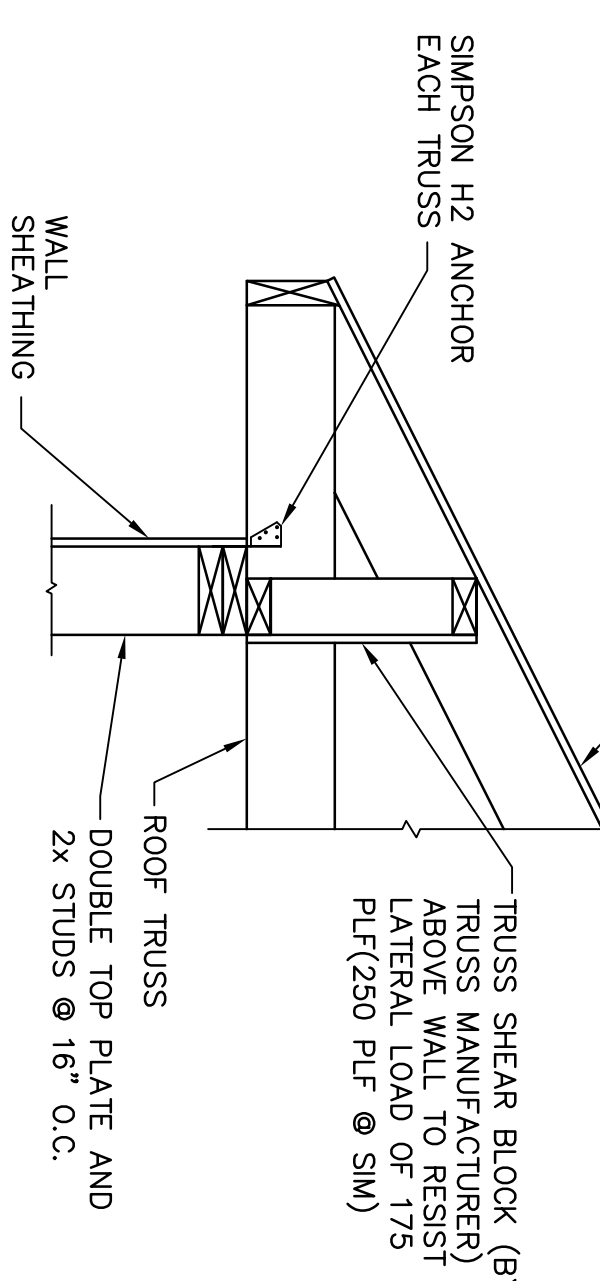
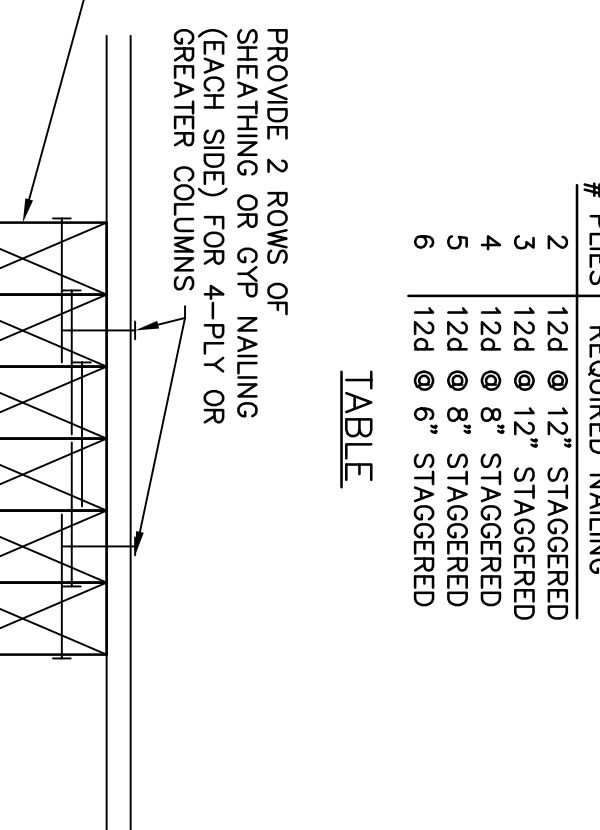
NOTES:
1. DIMENSION NOTED SHALL BE 6" (MAX) IF ANCHOR IS ANCHOR BOLT OR HALF OF THE SPECIFIED SPACING IF ANCHORAGE IS HILTI SHOT OR NAIL



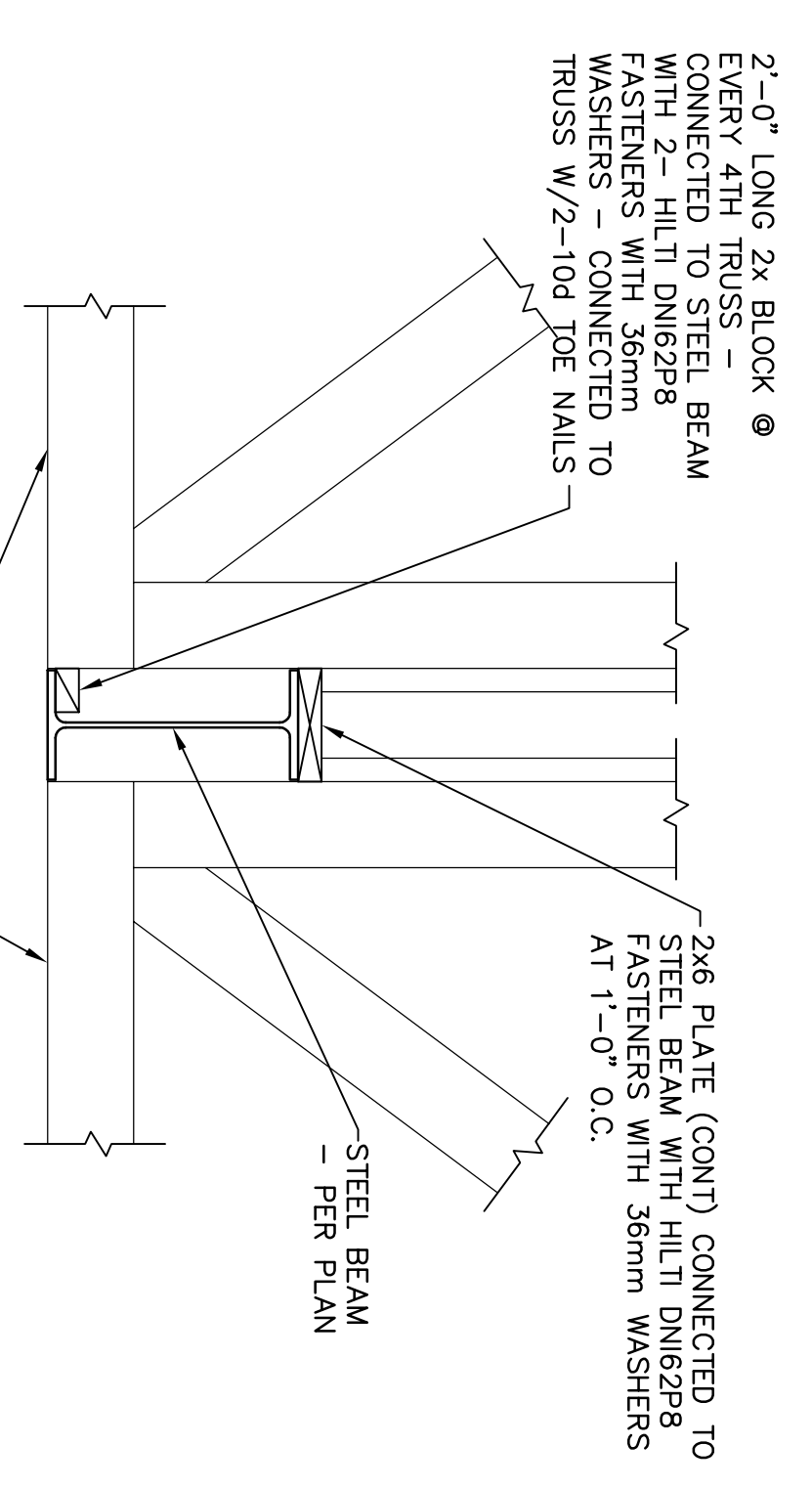
3 TYP COLUMN DETAIL
S3.0 SCALE: N.T.S.

PILES REQUIRED NAILING

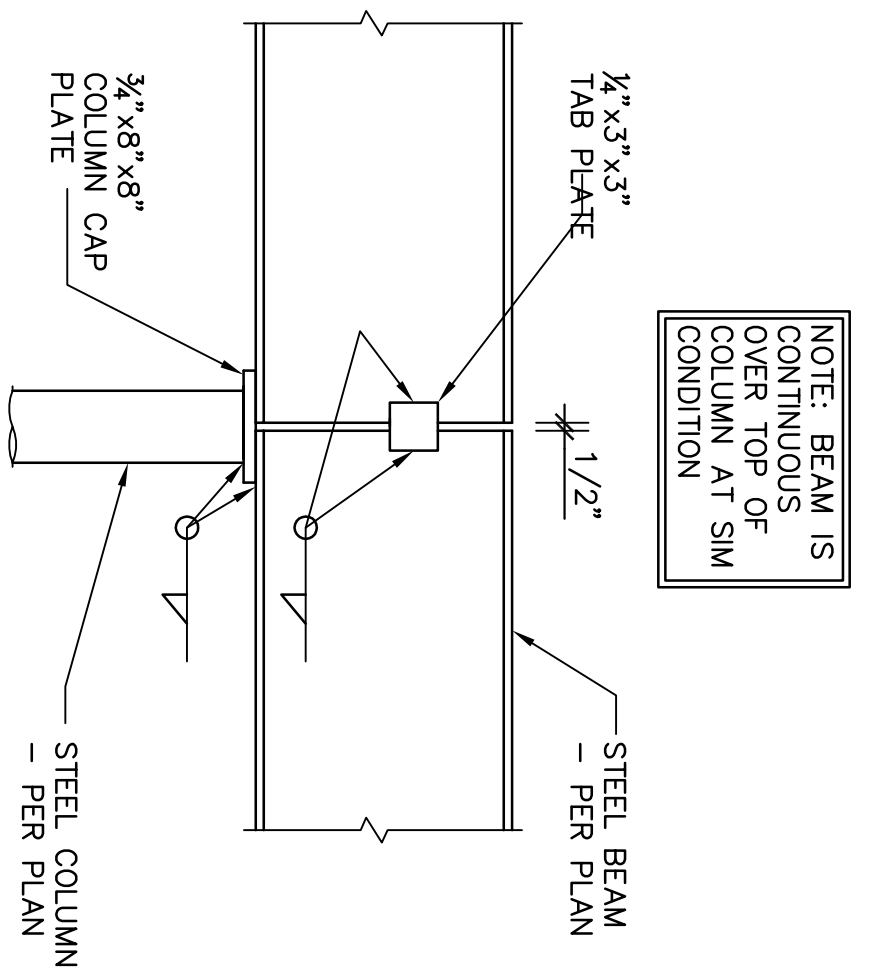
2	12d @ 12" STAGGERED
3	12d @ 12" STAGGERED
4	12d @ 8" STAGGERED
5	12d @ 8" STAGGERED
6	12d @ 6" STAGGERED



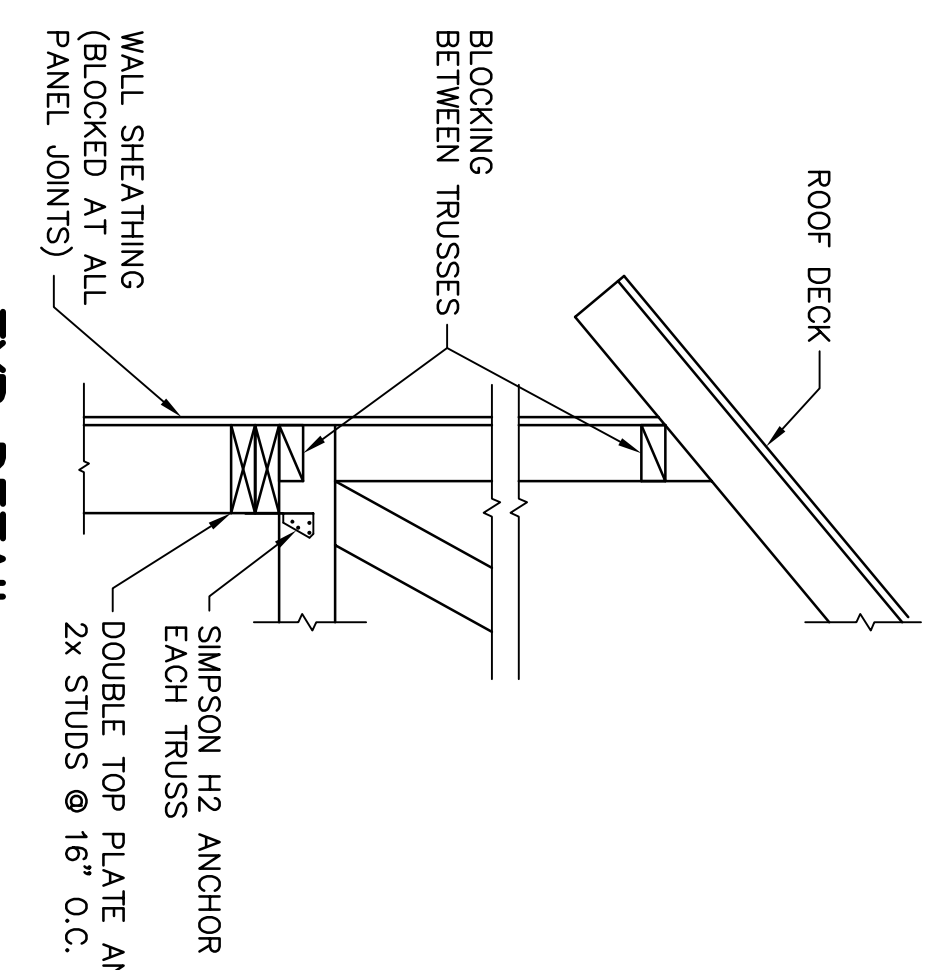
4 TYP DETAIL AT EAVE
S3.0 SCALE: N.T.S.



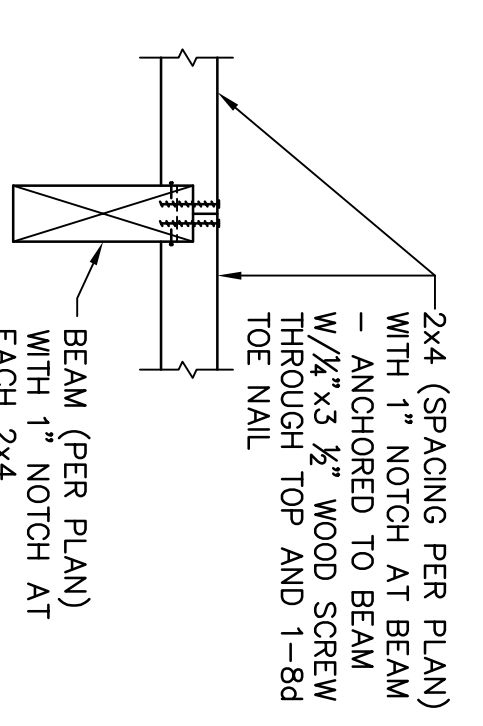
5 SECTION
S3.0 SCALE: N.T.S.



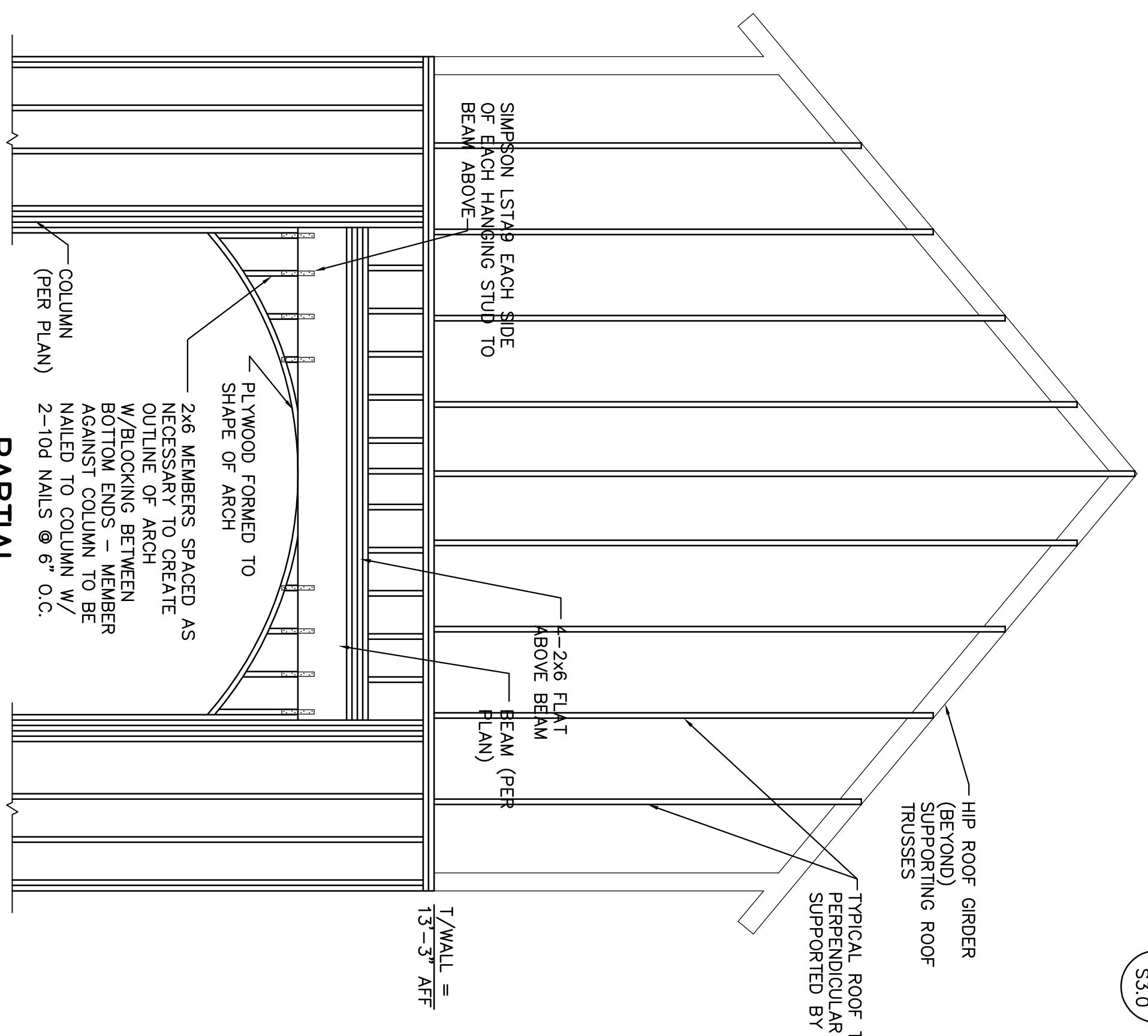
6 SECTION
S3.0 SCALE: N.T.S.



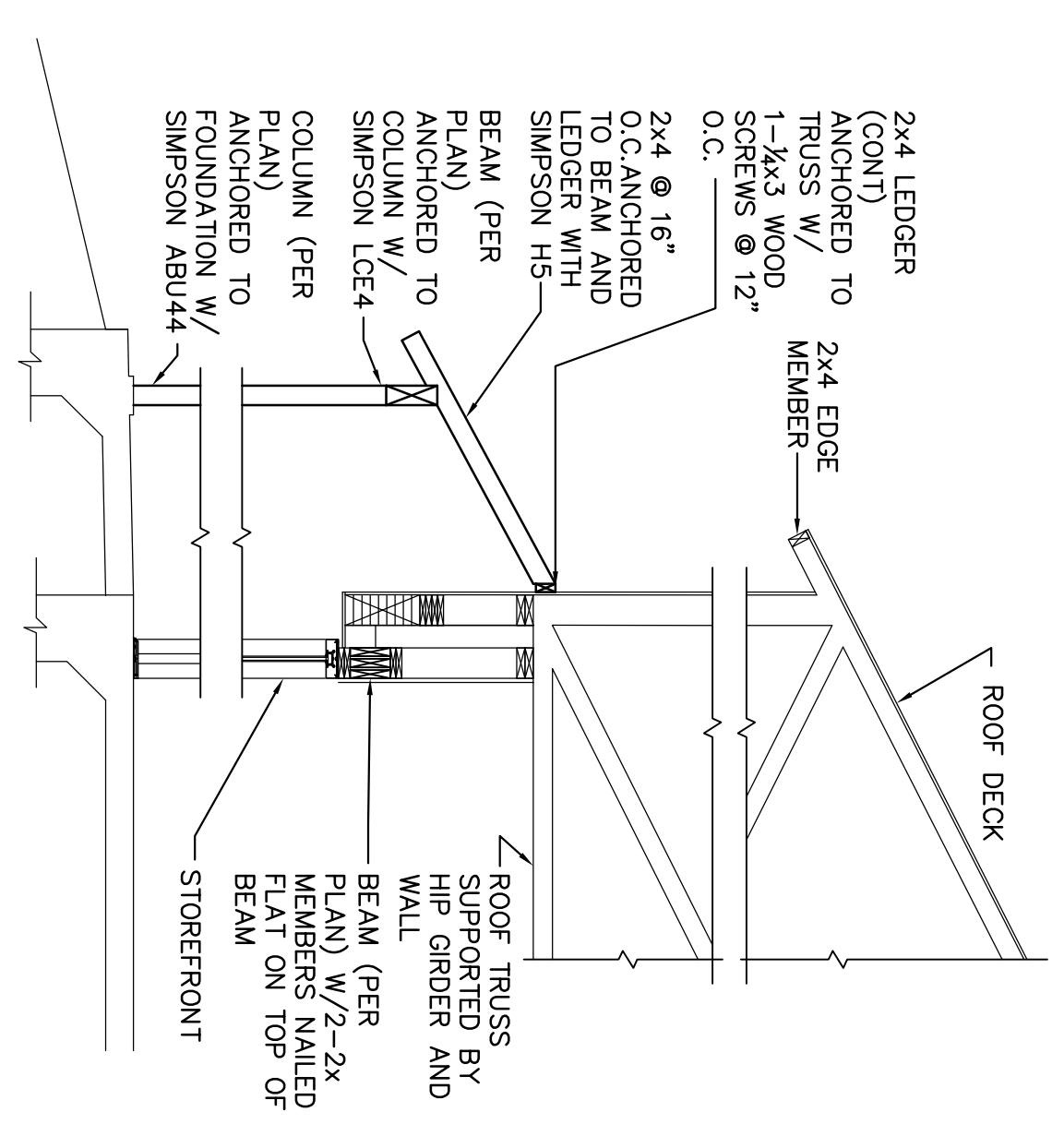
7 TYP DETAIL AT TOWER EAVE
S3.0 SCALE: N.T.S.



8 SECTION
S3.0 SCALE: N.T.S.

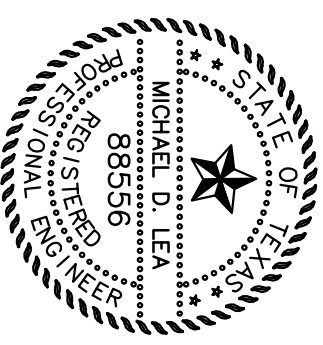


9 PARTIAL ELEVATION
S3.0 SCALE: 3/8"=1'-0"



10 SECTION
S3.0 SCALE: N.T.S.

THE SEAL APPEARING ON THIS DOCUMENT WAS AUTHORIZED BY MICHAEL D. LEA, P.E. 88556 ON 03/16/2009. ANY REPRODUCTION OR ALTERATION OF A SEALED DOCUMENT WITHOUT PROPER NOTIFICATION TO THE ARCHITECT OR ENGINEER IS AN OFFENSE UNDER THE TEXAS ENGINEERING PRACTICE ACT.



CONTRACTOR SHALL VERIFY ALL DIMENSIONS AT THE SITE AND NOTIFY THE ARCHITECTS OF ANY DIMENSIONAL ERRORS, OMISSIONS OR DISCREPANCIES BEFORE BEGINNING OR FABRICATING ANY WORK.	DO NOT SCALE DRAWINGS.
--	------------------------

linear!
the architecture of Kemery Brundige and Young
5005 W Royal Lane Suite 144
Irving, TX 75063
Phone: 972.929.9226
Fax: 972.929.9061
inbox@linear-architecture.com

**COOK CHILDREN'S
PRIMARY CARE CLINIC**
BURLESON, TX

STRUCTURAL ENGINEER OF RECORD
MICHAEL LEA ENTERPRISES
STRUCTURAL ENGINEERING SERVICES
TEXAS ENGINEERING FIRM REGISTRATION # 7474
3350 BINYON AVENUE
FORT WORTH, TEXAS 76183
PHONE: 817-454-9032
FAX: 817-497-5551
MILE DB NUMBER
09-10

SHEET TITLE
STRUCTURAL FRAMING DETAILS
SHEET NUMBER
JOB NUMBER
09.016
DATE OF ORIGINAL ISSUE
S3.0
MARCH 16, 2009