

SPLIT SYSTEM (HEAT PUMP) WITH ELECTRIC HEAT														
UNIT MARK	MANUFACTURER MODEL NUMBER	MODEL NUMBER	B.T.U. COOL	SEER	KW HEAT	B.T.U. HEAT	COP	CRF	OUTSIDE AIR (cfm)	8.P.	H.P.	VOLT/PHASE	WGT. (LBS.)	ACCESSORIES
AHU-1	LENNOX	CB30-151	16,000	12	11,000	3.20	1.0	1.0	100	3/4	208/3	181	SINGLE POINT FLOOR ENTRY	
AHU-2	LENNOX (OR EQUAL)	HP29-048	46,000	12	27,600	3.20	1.0	1.0	100	1/4	208/3	190	LOW AMBIENT KIT	
AHU-3	LENNOX	CB30-165	16,000	12	11,000	3.20	1.0	1.0	100	3/4	208/3	181	SINGLE POINT FLOOR ENTRY	
AHU-4	LENNOX (OR EQUAL)	HP29-060	50,000	12	27,600	3.20	1.0	1.0	100	1/4	208/3	254	LOW AMBIENT KIT	

GENERAL NOTES:

- All mechanical equipment shall be identified by name of nameplate permanently attached to the equipment. Nameplates shall be engraved laminated plastic or etched metal.
- All roof mounted equipment shall be set level.
- All equipment to be installed by an authorized representative of manufacturer or verified by manufacturer's representative.

EXHAUST FAN SCHEDULE			
MECH. ROOM	RESTROOM	ESCAN (OR EQUAL)	125CFM @ 125" E.S.P., RECESS CEILING MOUNT, 120V 1 PHASE 1.7 AMP PROVIDE WITH INTEGRAL BACK DRAFT DAMPER

GRILLES, REGISTERS AND DIFFUSERS SCHEDULE						
MARK	MANUFACTURER	MODEL	TYPE	NECK SIZE (L' x W')	FACE SIZE (L' x W')	REMARKS
A	TITUS	TDC	SUPPLY DIFFUSER	PER PLAN	24"x24"	TYPE 3 WHITE
B	TITUS	TDC	SUPPLY DIFFUSER	PER PLAN	12"x12"	TYPE 1 WHITE
C	TITUS	50F	EGGCRATE RETURN/TRANSFER GRILLE	PER PLAN	12"x24"	TYPE 3 WHITE
D	TITUS	50F	EGGCRATE RETURN GRILLE	PER PLAN	24"x24"	TYPE 3 WHITE

NOTES BY SYMBOL

- MECHANICAL CONTRACTOR SHALL PROVIDE AND INSTALL (4) NEW HORIZONTAL DISCHARGE AIR HANDLING UNITS W/ HEAT PUMP COILS.
AHU SHALL BE MOUNTED ON FLOOR OF CATWALK. HORIZONTAL SUPPLY/RETURN AIR DUCT SHALL BE RIGID DUCTWORK, INSTALLED AT FLOOR LEVEL. A CLEAR APPROACH PATH SHALL BE PROVIDED ON EITHER SIDE OF THE RETURN DUCTWORK TO ALLOW FOR FOOT TRAFFIC TO STEP OVER THE DUCT AND SERVICE EQUIPMENT ON ALL SIDES OF UNITS.
- PROVIDE SMOKE DETECTORS IN SUPPLY AIR DUCT FROM AUTOMATIC FAN SHUTDOWN AT . SMOKE DETECTOR TO BE PROVIDED AND INSTALLED BY THE MECHANICAL CONTRACTOR. FINAL CONNECTION BY ELECTRICAL CONTRACTOR.
- PROVIDE LINED RETURN AIR DUCT SECTION, SAME SIZE AS UNIT OPENING. PROVIDE 10" OUTSIDE AIR DUCT UP FROM RETURN AIR DUCT THROUGH ROOF AND TERMINATE WITH UP CAP AND BIRDSCREEN. PROVIDE VOLUME CONTROL DAMPER AT RETURN AIR DUCT OPENING AND AT OUTSIDE AIR DUCT. SET CRF OF OUTSIDE AIR DUCT PER MECHANICAL EQUIPMENT SCHEDULE.
- CONTRACTOR SHALL PROVIDE AND INSTALL (4) REMOTE AIR COOLED HEAT PUMP CONDENSING UNITS AS INDICATED. UNITS MUST BE SET LEVEL ON CONCRETE PADS. SEE EQUIPMENT SCHEDULE AND CONDENSING UNIT DETAIL FOR ADDITIONAL INFORMATION.
- CEILING MOUNTED EXHAUST FAN PROVIDED AND INSTALLED BY THE MECHANICAL CONTRACTOR. EXTEND 6" EXHAUST DUCT THROUGH ROOF AND TERMINATE W/ UP CAP AND BIRDSCREEN. INTERLOCK FAN CONTROL WITH LOCAL LIGHT CIRCUIT AND SWITCH. SEE EXHAUST FAN SCHEDULE FOR ADDITIONAL INFORMATION AND SHEET EI FOR CIRCUITING.
- CONTRACTOR SHALL PROVIDE CONTROLS EQUAL TO HONEYWELL VISION PRO 8000 SERIES PROGRAMMABLE HEAT PUMP TSTAT WITH NIGHT SETBACK FEATURE, LOCKING COVER AND REMOTE SENSING UNIT. MOUNT TSTAT @ 48" AFF.
- PROVIDE AND INSTALL COPPER LIQUID AND SUCTION REFRIGERANT LINES FROM CONDENSING UNITS TO COIL AT AIR HANDLING UNITS. SIZE LINES PER EQUIPMENT MANUFACTURER'S RECOMMENDATIONS. COORDINATE ROUTING OF LINES WITH OWNER'S FIELD REPRESENTATIVE.
- REMOTE TEMPERATURE SENSOR AT 54" AFF. SEE ALSO NOTE 6.
- CEILING MOUNTED EXHAUST FAN PROVIDED AND INSTALLED BY THE MECHANICAL CONTRACTOR. EXTEND 6" EXHAUST DUCT THROUGH ROOF AND TERMINATE WITH UP CAP AND BIRDSCREEN. PROVIDE LOCAL LINE VOLTAGE TSTAT FOR FAN CONTROL SET AT 80". MOUNT TSTAT AT 48" AFF. SEE EXHAUST FAN SCHEDULE FOR ADDITIONAL INFORMATION AND SHEET EI FOR CIRCUITING.

MECHANICAL GENERAL NOTES

CONTRACTORS AND SUB CONTRACTORS SHALL CAREFULLY REVIEW THE CONSTRUCTION DOCUMENTS. INFORMATION REGARDING THE COMPLETE WORK IS DISPERSED THROUGHOUT THE DOCUMENT SET AND CANNOT BE ACCURATELY DETERMINED WITHOUT REFERENCING THE COMPLETE DOCUMENT SET.

COORDINATE WITH THE WORK OF OTHER SECTIONS. EQUIPMENT FURNISHED BY OTHERS, REQUIREMENTS OF THE OWNER AND CONSTRAINTS OF THE EXISTING CONDITIONS OF THE PROJECT SITE. PROVIDE DUCT RISES AND DROPS AS REQUIRED FOR FIELD INSTALLATION AND TRADE COORDINATION. NOTIFY ARCHITECT OF ANY DISCREPANCIES BEFORE STARTING WORK.

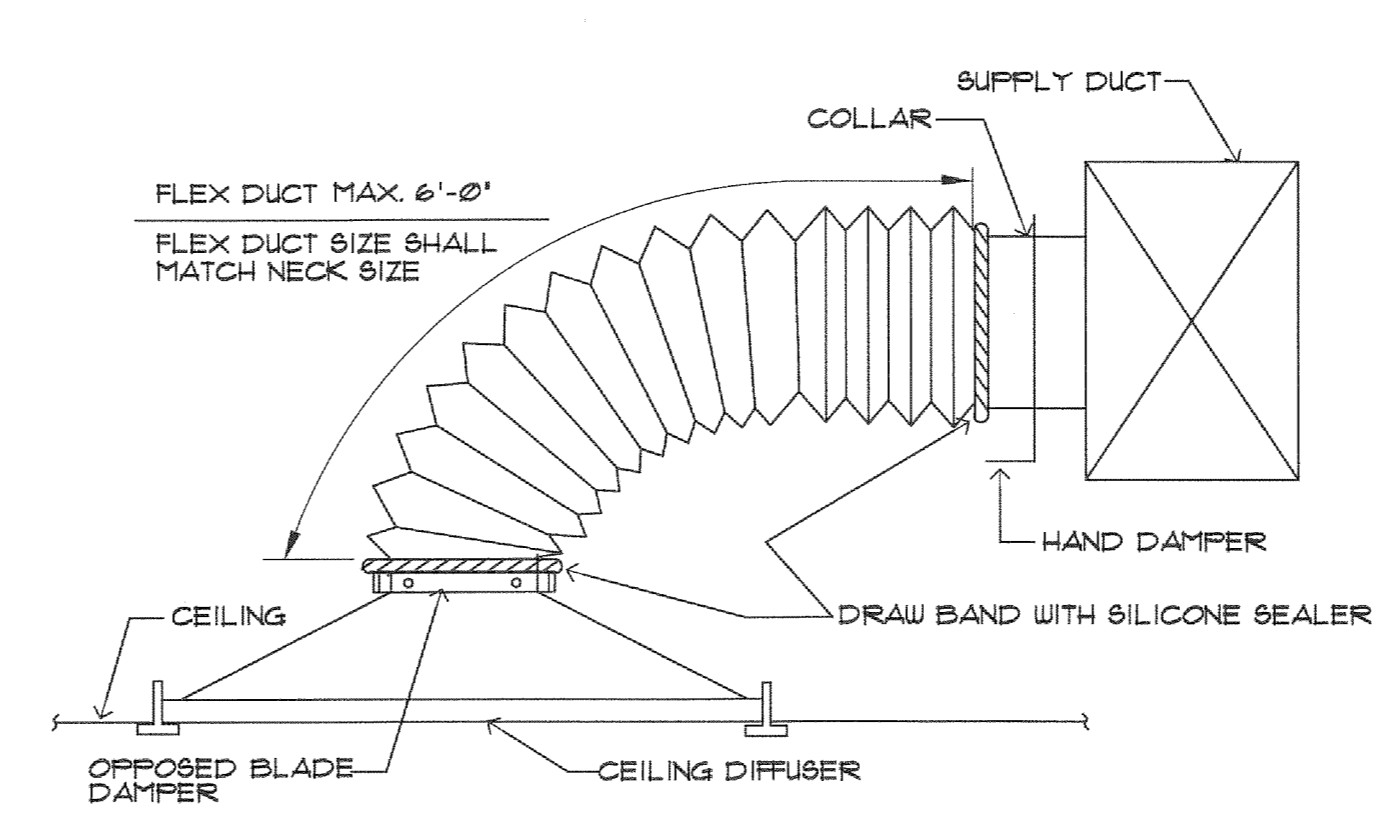
ALL ROOFING WORK (CUTS, REPAIRS, FLUD WORK, ETC.) SHALL BE PERFORMED BY THE LANDLORDS APPROVED ROOFING CONTRACTOR.

DRAWINGS FOR THE MECHANICAL WORK ARE DIAGRAMMATIC SHOWING THE GENERAL LOCATION, EQUIPMENT TYPE AND LAYOUT. THE DRAWINGS SHALL NOT BE SCALED FOR EXACT MEASUREMENT REFER TO ARCHITECTURAL DRAWINGS FOR DIMENSIONS. REFER TO MANUFACTURER'S STANDARD INSTALLATION DRAWINGS FOR EQUIPMENT CONNECTIONS AND INSTALLATION REQUIREMENTS. PROVIDE DUCTWORK, CONNECTIONS, OFFSETS, ACCESSORIES AND MATERIALS NECESSARY FOR A COMPLETE SYSTEM. SUBMIT SHOP DRAWINGS PER THE SPECIFICATIONS.

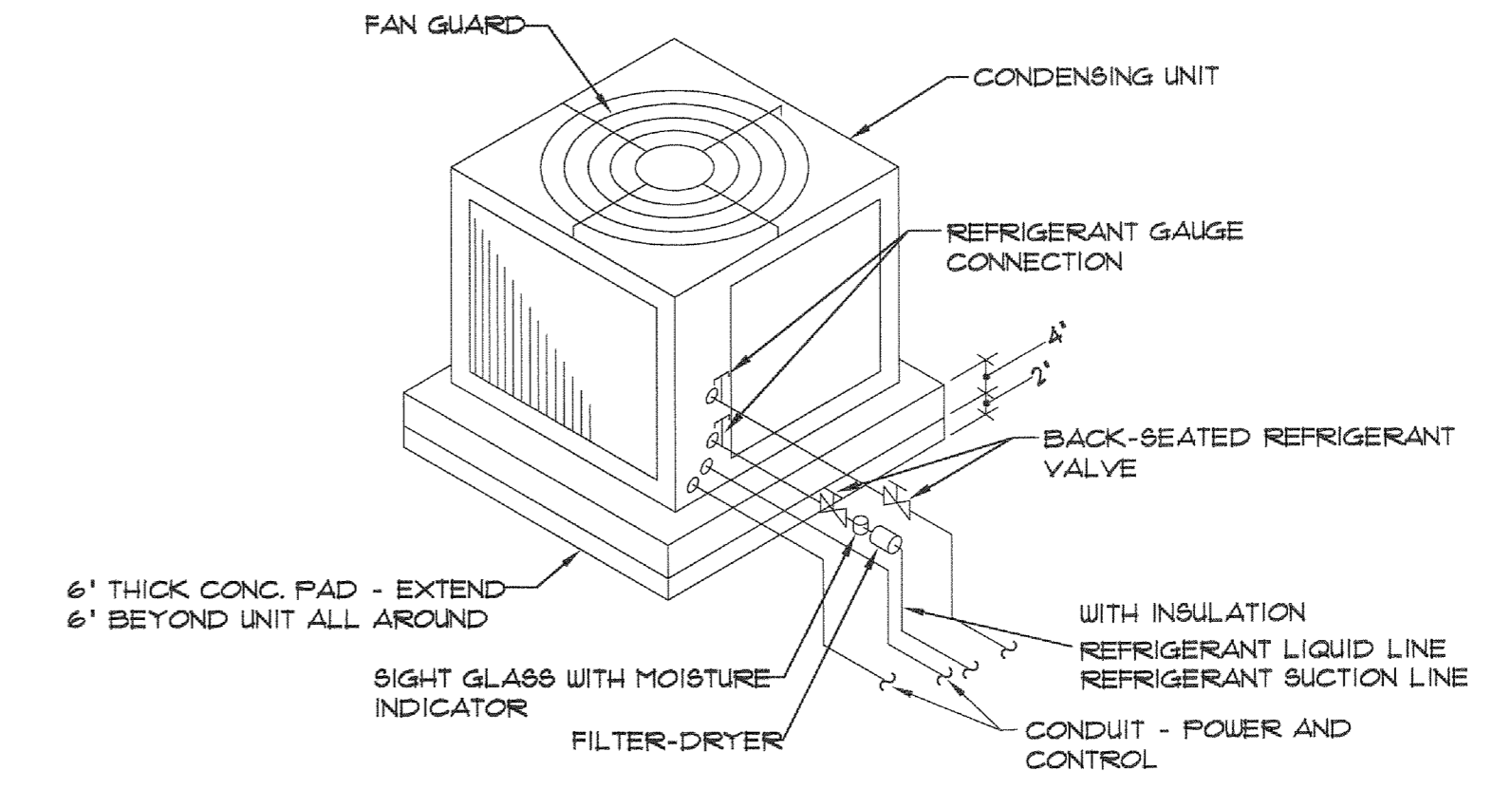
ALL WORK SHALL COMPLY WITH STATE AND LOCAL CODE REQUIREMENTS AS APPROVED AND AMENDED BY THE GOVERNING CITY INCLUDING APPLICABLE SECTIONS OF NFPA, OSHA, BOCA AND UBC OR ANY INTERIM AMENDMENTS AT THE TIME OF THE PROPOSAL. PURCHASE ALL PERMITS ASSOCIATED WITH THE WORK AND OBTAIN ALL INSPECTIONS REQUIRED BY CODE.

MECHANICAL SYMBOL LEGEND

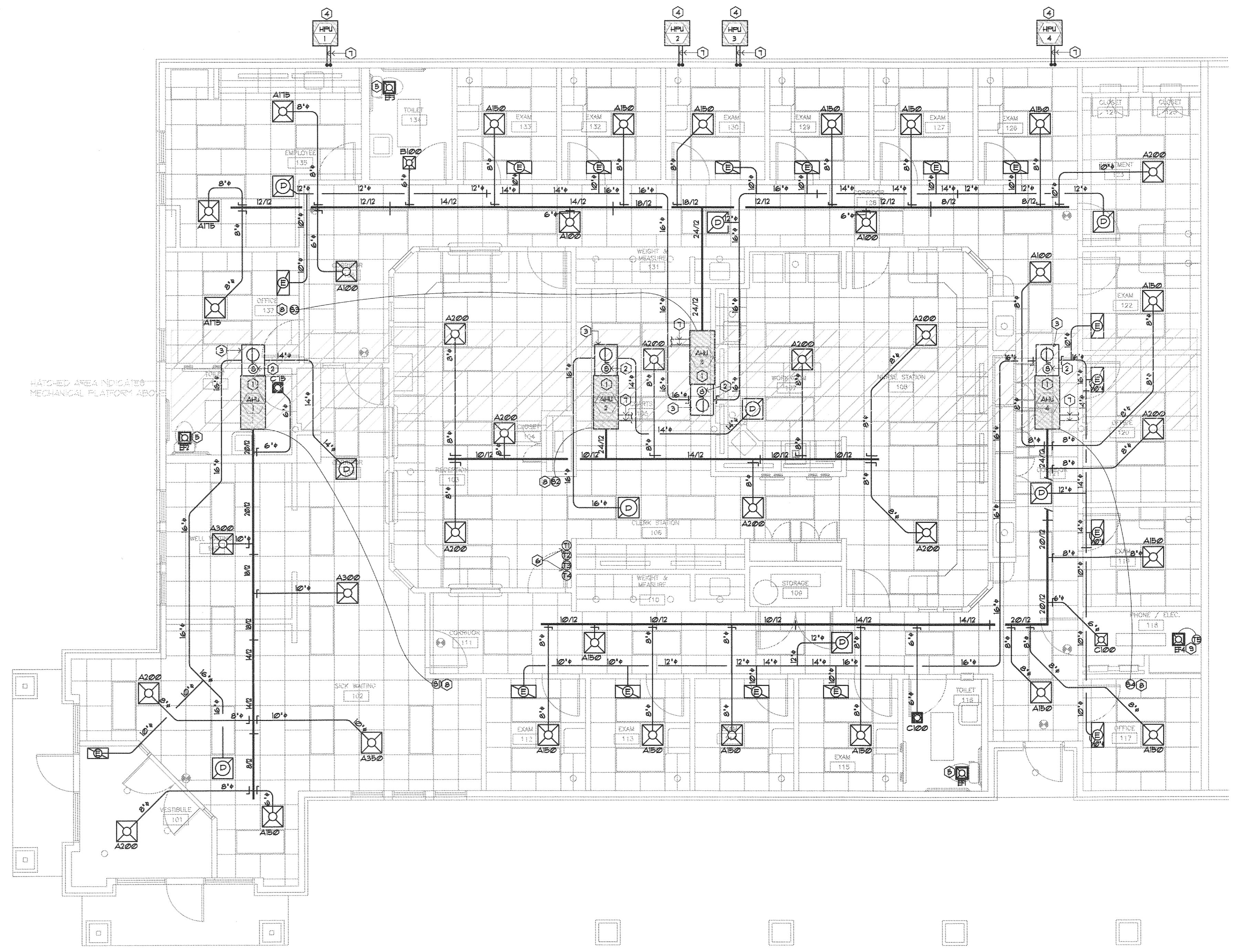
SYMBOL	DESCRIPTION
(B)	TEMPERATURE SENSOR @ 48" AFF
(T)	THERMOSTAT @ 48" AFF
(D)	DUCT MOUNTED SMOKE DETECTOR
(V)	VOLUME DAMPER
(S)	SUPPLY DIFFUSER
(R)	RETURN AIR GRILLE
(B)	SUPPLY DIFFUSER W/QUADRANT BLOCKED
(T)	TURNING VANES
AHU	AIR HANDLING UNIT
EF	EXHAUST FAN
CU	CONDENSING UNIT



Ø3 TYPICAL DIFFUSER DETAIL
NO SCALE

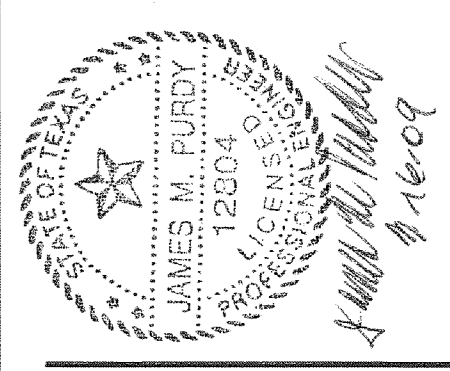


Ø2 AIR COOLED CONDENSING UNIT
NO SCALE



Ø1 MECHANICAL PLAN
SCALE: 3/16" = 1'-0"

CONTRACTOR SHALL VERIFY ALL DIMENSIONS AT THE JOB SITE AND NOTIFY THE ARCHITECTS OF ANY DIMENSIONAL ERRORS, OMISSIONS OR DISCREPANCIES BEFORE BEGINNING OR FABRICATING ANY WORK. DO NOT SCALE DRAWINGS.



linear!
the architecture of Kemery Brundige and Young
5005 W Royal Lane Suite 144
Irving, TX 75063
Phone: 972.929.9226
Fax: 972.929.9061
info@linear-architecture.com

**COOK CHILDREN'S
PRIMARY CARE CLINIC**
BURLESON, TX

JOB NUMBER
09.016

SHEET TITLE
**MECHANICAL
PLAN AND
DETAILS**
SHEET NUMBER

M1

DATE OF ORIGINAL ISSUE
© **MARCH 16, 2009**