

DOOR NOTES

GENERAL NOTES:
 1. ALL HARDWARE IS TO MEET ALL LOCAL, STATE, AND NATIONAL CODES.
 2. LEVER HANDLES TO BE USED FOR ALL DOORS. EXISTING DOORS THAT HAVE "KNOB" STYLE HANDLES SHALL BE CHANGED TO LEVER HANDLES.
 3. CONTRACTOR TO PREP DOORS AS NECESSARY.
 4. ALL EXISTING HARDWARE TO REMAIN SHALL BE RE-KEYED TO MATCH NEW LOCKSET.
 5. LOCKSET FUNCTIONS (AND) LATCH BOLT IS OPERATED BY KEY IN OUTSIDE LEVER OR BY ROTATING INSIDE LEVER. INSIDE LEVER IS ALWAYS ACTIVE.
 6. DEADBOLT LOCK IF REQ'D IS OPERATED BY KEY OUTSIDE AND BY THUMBTURN INSIDE.
 7. HOLLOW METAL FRAME COLOR, PAINTED TO MATCH ADJACENT WALL COLOR, SEMI-GLOSS FINISH.
 8. THE LOCKS ON EXTERIOR DOORS SHALL BE KEYPED ALIKE.

KEYED NOTES:
 A. CLEAN AND REPAIR DOOR AS NECESSARY
 B. NOT USED.
 C. EXISTING HARDWARE TO REMAIN EXCEPT THAT NEW LOCK SET TO BE PROVIDED WHICH ALLOWS FOR EXIT WITHOUT UNLOCKING DOOR. IF EXISTING LOCK SET DOES NOT PERMIT THIS FUNCTION NO DEADBOLT SHALL BE LEFT EXISTING OR SHALL BE INSTALLED ON THIS DOOR.
 D. IF NONE EXIST, INSTALL THRESHOLD, WEATHERSTRIPPING AND RAINGUARD.
 E. PROVIDE COMPLETE B LABEL ASSEMBLY AT THIS LOCATION
 F. PROVIDE ELECTRIC STRIKE FOR DOOR RELEASE, REF. SHEET E2

DOOR SCHEDULE

DOOR NUMBER	DOOR SIZE	THICKNESS	DOOR				FRAME				DOOR TYPE	HARDWARE	NOTES	
			A	B	C	D	1	2	3	4				
101 A	3'-0"X7'-0"	1 3/4"	A											3 6 A D
101 B	3'-0"X7'-0"	1 3/4"	A											3 6 A D
102	PR. 3'-0"X7'-0"	1 3/4"	A											3 1
103 A	3'-0"X7'-0"	1 3/4"	B							2				4 3
103 B	3'-0"X7'-0"	1 3/4"	B							2				4 3
104	PR. 1'-6"X7'-0"	1 3/4"	C							2				1 3
105 A	3'-0"X7'-0"	1 3/4"	B							2				4 3
105 B	3'-0"X7'-0"	1 3/4"	B							2				4 3
109	PR. 3'-0"X7'-0"	1 3/4"	C							2				1 1
111	3'-0"X7'-0"	1 3/4"	B							2				2 7 F
112	3'-0"X7'-0"	1 3/4"	C							2				1 3
113	3'-0"X7'-0"	1 3/4"	C							2				1 3
114	3'-0"X7'-0"	1 3/4"	C							2				1 3
115	3'-0"X7'-0"	1 3/4"	C							2				1 3
116	3'-0"X7'-0"	1 3/4"	C							2				1 5
117	3'-0"X7'-0"	1 3/4"	C							2				1 1
118	3'-0"X7'-0"	1 3/4"	C							2				1 1
119	3'-0"X7'-0"	1 3/4"	C							2				1 3
120	3'-0"X7'-0"	1 3/4"	C							2				1 1
121	3'-0"X7'-0"	1 3/4"		D						2				1 4 A D
122	3'-0"X7'-0"	1 3/4"	C							2				1 3
123	3'-0"X7'-0"	1 3/4"	C							2				1 3
124	PR. 1'-6"X7'-0"	1 3/4"	C							2				1 3
125	PR. 1'-6"X7'-0"	1 3/4"	C							2				1 3
126	3'-0"X7'-0"	1 3/4"	C							2				1 3
127	3'-0"X7'-0"	1 3/4"	C							2				1 3
129	3'-0"X7'-0"	1 3/4"	C							2				1 3
130	3'-0"X7'-0"	1 3/4"	C							2				1 3
132	3'-0"X7'-0"	1 3/4"	C							2				1 3
133	3'-0"X7'-0"	1 3/4"	C							2				1 3
134	3'-0"X7'-0"	1 3/4"	C							2				1 5
135	3'-0"X7'-0"	1 3/4"	C							2				1 3
136	3'-0"X7'-0"	1 3/4"	B							2				2 7 F
137	3'-0"X7'-0"	1 3/4"	C							2				1 1
138	3'-0"X7'-0"	1 3/4"	C							2				1 5
139	3'-0"X7'-0"	1 3/4"	A							1				3 6 A D

EXTERIOR WINDOW SCHEDULE

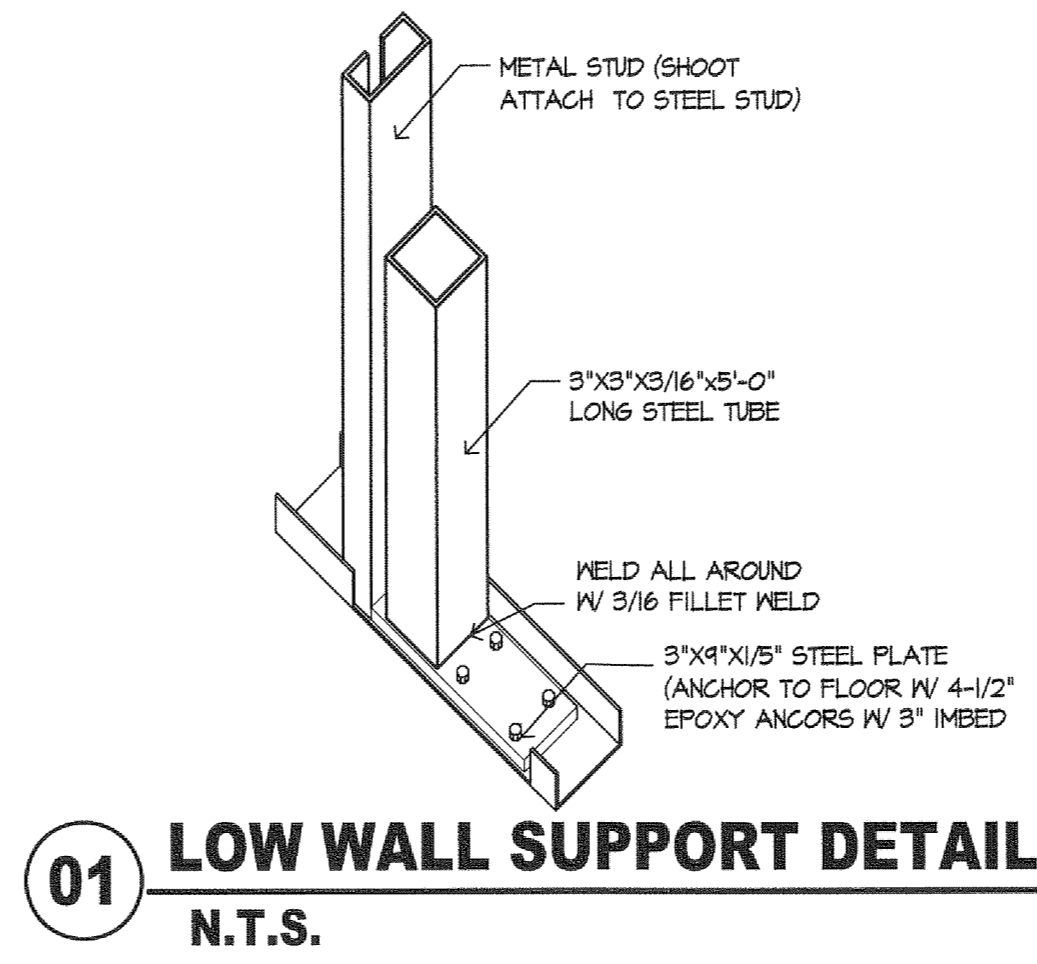
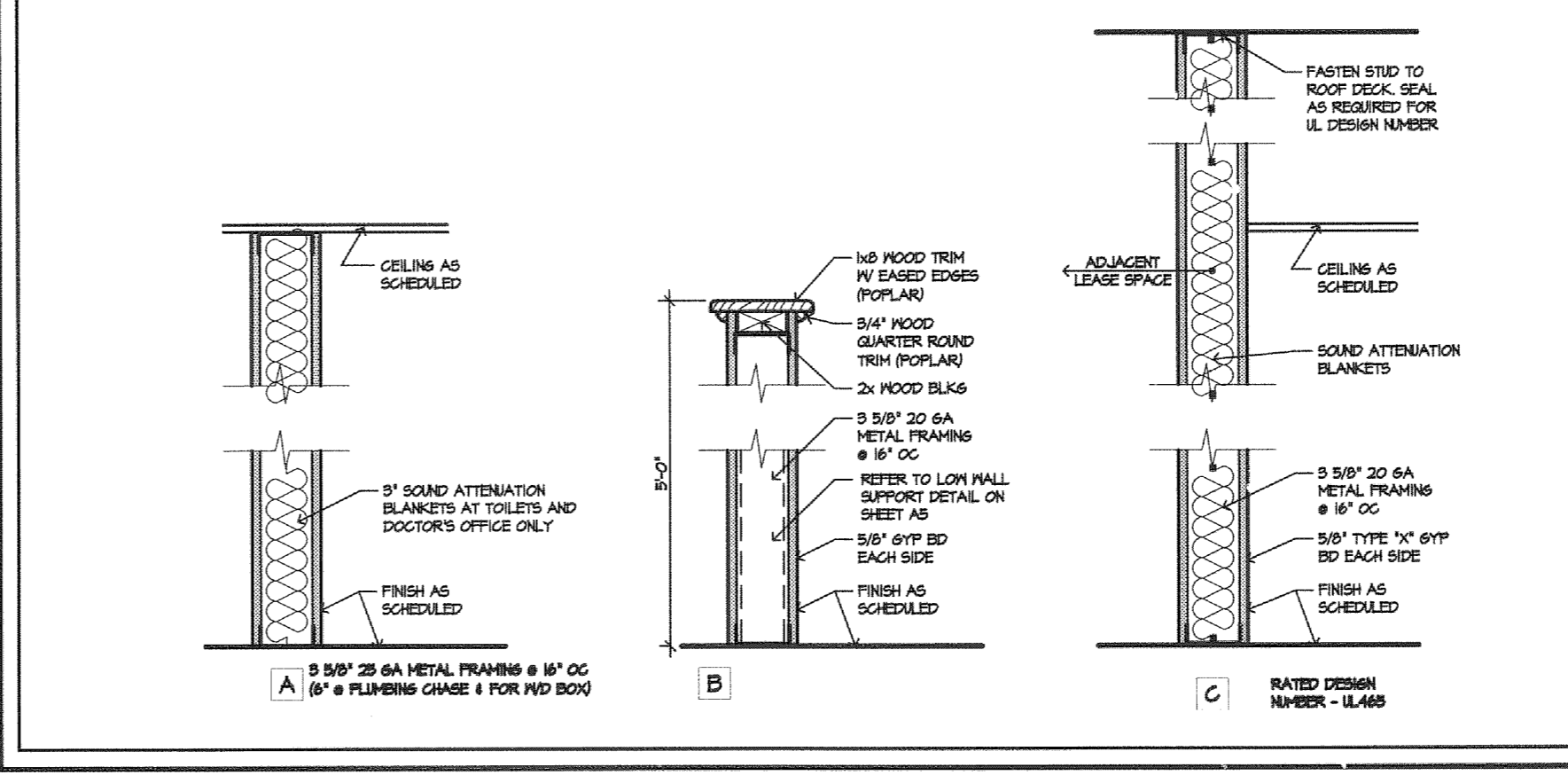
MARK	SIZE	TYPE	DESCRIPTION	QUAN.
①	2'-8" x 5'-0"	EXT.	CLEAR ANODIZED ALUMINUM STOREFRONT	19
②	11'-2" W	EXT. WITH DOOR	CLEAR ANODIZED ALUMINUM STOREFRONT CURVED RADIUS TOP	3
③	11'-2" W	EXT.	CLEAR ANODIZED ALUMINUM STOREFRONT CURVED RADIUS TOP	1

INTERIOR WINDOW SCHEDULE

MARK	SIZE	TYPE	DESCRIPTION
Ⓐ	2'-0"X 3'-10"	FIXED GLASS IN ALUM. STOREFRONT FRAME. FINISH AS SELECTED BY OWNER	3'-2" A.F.F. TO FINISHED SILL
Ⓑ	1'-6"X 3'-10"	FIXED GLASS IN ALUM. STOREFRONT FRAME. FINISH AS SELECTED BY OWNER	3'-2" A.F.F. TO FINISHED SILL
Ⓒ	4'-0"X 3'-4"	PR. SLIDING GLASS PANELS W/ POLISHED EDGE IN ALUM. STOREFRONT FRAME. FINISH AS SELECTED BY OWNER	3'-8" A.F.F. TO FINISHED SILL
Ⓓ	4'-0"X 4'-2"	PR. SLIDING GLASS PANELS W/ POLISHED EDGE IN ALUM. STOREFRONT FRAME. FINISH AS SELECTED BY OWNER	2'-10" A.F.F. TO FINISHED SILL

NOTE: ALL GLASS SHALL BE 1/4" THICK, TEMPERED, SET IN FULL PERIMETER FRAMES

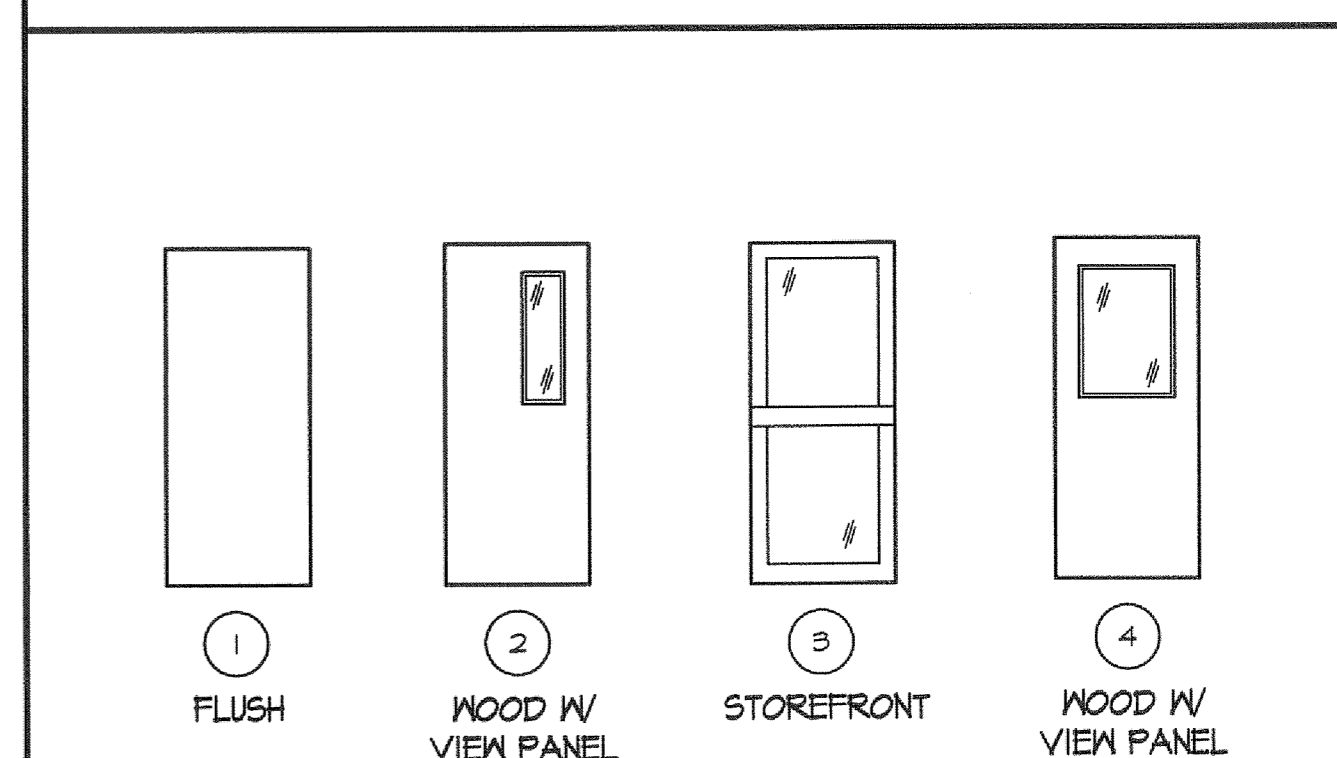
WALL TYPES



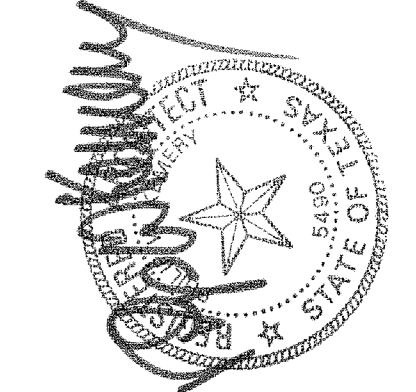
HARDWARE

SET	UNIT	DESCRIPTION	SET	UNIT	DESCRIPTION	SET	UNIT	DESCRIPTION
1	EA	LOCK SET	1	EA	PRIVACY LOCK SET	1	EA	LATCHSET
1 1/2	PR	BUTTS	1 1/2	PR	BUTTS	1 1/2	PR	BUTTS
3	EA	SILENCERS	3	EA	SILENCERS	3	EA	SILENCERS
1	EA	DOOR STOP	1	EA	DOOR STOP	1	EA	DOOR STOP W/ BLOCKING CLOSER @ DOORS # 136
1	EA	PANIC HARDWARE	1	EA	PRIVACY LOCK SET	3	EA	BALL BEARING HINGES
1 1/2	PR	BUTTS	1 1/2	PR	BUTTS	1	EA	LATCHSET
3	EA	SILENCERS	3	EA	SILENCERS	1	EA	KICK DOWN STOP
1	EA	DOOR STOP	1	EA	DOOR STOP	1	EA	CLOSER
1	EA	THRESHOLD	1	EA	CLOSER	1	EA	SILENCERS
1	EA	WEATHERSTRIPPING	1	EA	GENDER SIGN	1	EA	MALL STOP
1	EA	RAINGUARD						

DOOR TYPES



CONTRACTOR SHALL VERIFY ALL DIMENSIONS AT THE JOB SITE AND NOTIFY THE ARCHITECTS OF ANY DIMENSIONAL ERRORS, OMISSIONS OR DISCREPANCIES BEFORE BEGINNING OR FABRICATING ANY WORK
DO NOT SCALE DRAWINGS



Linear!
 the architecture of Kemery Brundige and Young
 8500 Freepoint p.lwy. Ste. 310
 Irving, TX 75063
 Phone: 972.929.9226
 Fax: 972.929.8061
 info@linear-architecture.com

**COOK CHILDREN'S
 PRIMARY CARE CLINIC**
 BURLESON, TX

JOB NUMBER
09.016

SHEET TITLE
SCHEDULES & DETAILS

SHEET NUMBER
A4.1

DATE OF ORIGINAL ISSUE
MARCH 16, 2009