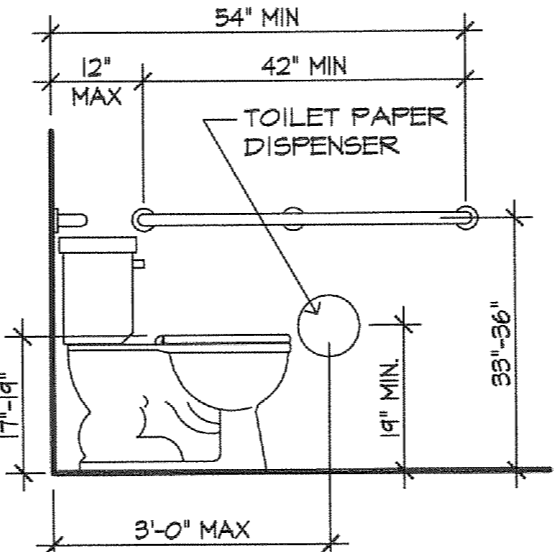
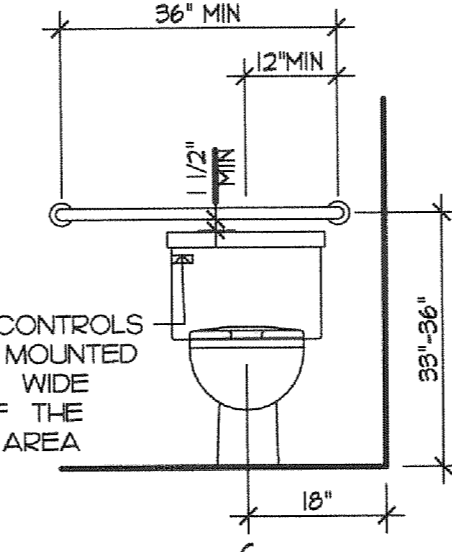


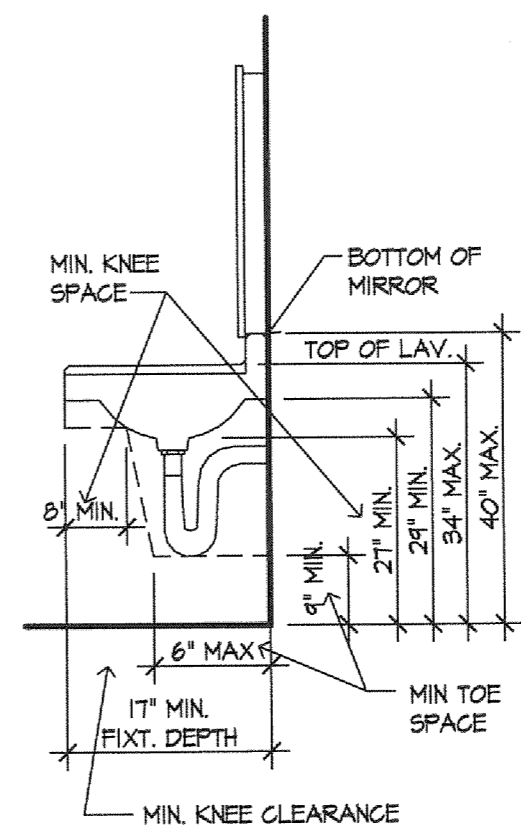
PLAN VIEW



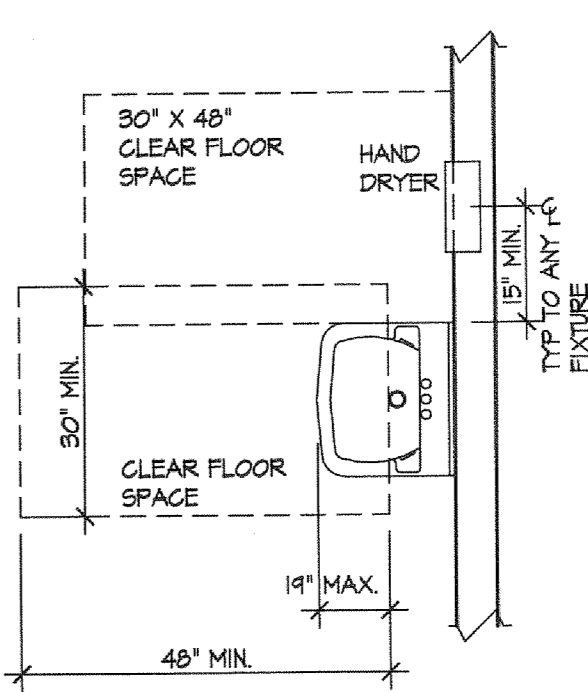
SIDE VIEW



FRONT VIEW



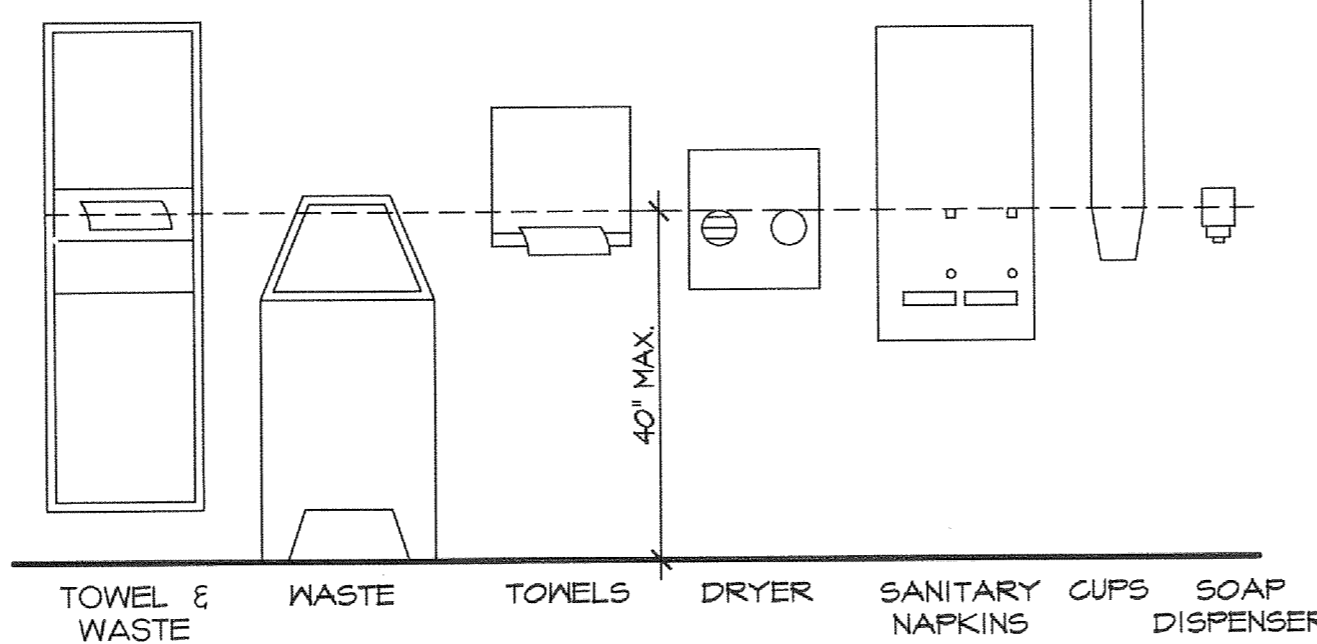
LAVATORIES & MIRRORS



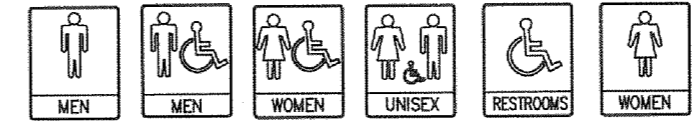
TOILETS & TOILET STALLS

NOTE: BY CONTRACTOR U.N.O.
EACH TOILET SHALL BE EQUIPPED WITH:
1. ONE 42"x1-1/2" ROUND GRAB BAR
2. ONE 36"x1-1/2" ROUND GRAB BAR
3. ONE TOILET PAPER DISPENSER
4. ONE SOAP DISPENSER
5. ONE PAPER TOWEL DISPENSER/
TRASH RECEPTACLE COMBINATION
UNIT.
6. ONE GENDER SIGN.

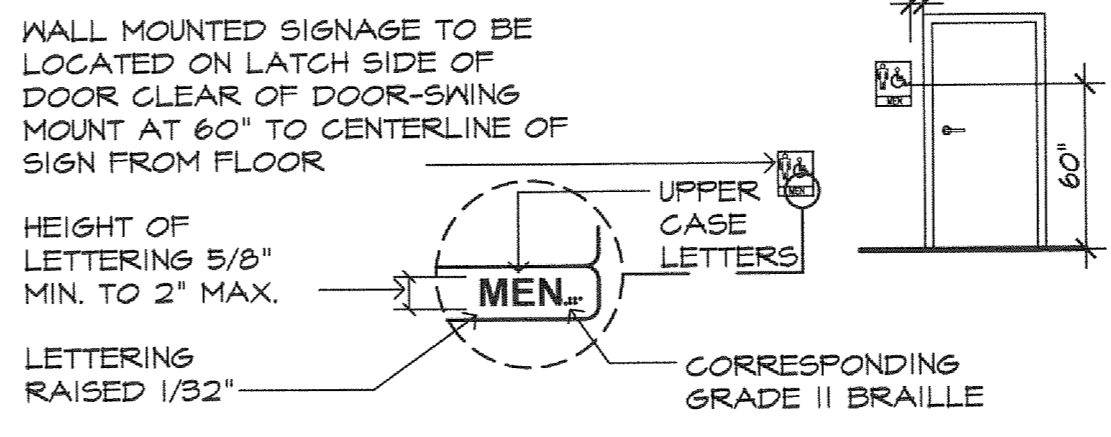
NOTE: ALL BATHROOMS SHALL HAVE FRP OR EQUAL INSTALLED ON ALL WALLS TP 4' HIGH, COLOR TO BE SPECIFIED.



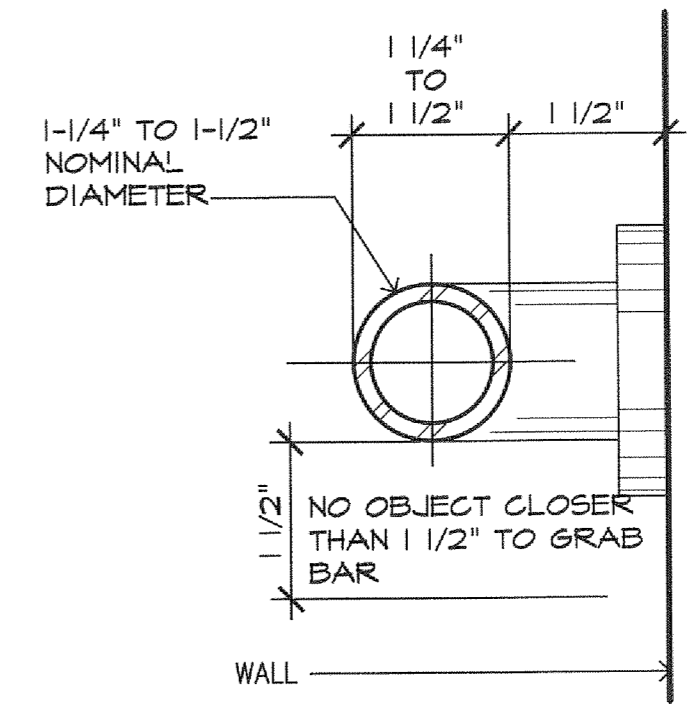
ACCESSORIES



WALL SIGNAGE (TYP.)



TOILET ROOM SIGNAGE



GRAB BAR NOTES:
1. GRIPPING SURFACE TO BE 1/4" - 1/2" IN DIAMETER, MOUNTED 1/2" OFF WALL
2. GRAB BAR TO BE MOUNTED TO WITHSTAND MAX. BENDING, SHEAR, AND TENSILE FORCES OF 250 LBS.
3. GRAB BARS SHALL NOT ROTATE W/IN THEIR FITTINGS

GRAB BARS

01 ACCESSIBLE MOUNTING HEIGHTS, DIMENSIONS & CONFIGURATIONS

GENERAL ACCESSIBILITY NOTES:

- THRESHOLDS**
- FLOOR(S) OR LANDINGS(S) ARE NOT MORE THAN 1/2" LOWER THAN THE TOP OF THE THRESHOLD OF THE DOORWAY.
 - CHANGE IN LEVEL BETWEEN 1/4" AND 1/2" IS BEVELED AT A GRADIENT NOT TO EXCEED 1 : 2.
NOTE: A 1/4" MAXIMUM VERTICAL EDGE IS ALLOWABLE AT THRESHOLDS.
 - DOORMATS ARE SECURELY ATTACHED (ANCHORED OR RECESSED) AND HAVE A LEVEL LOOP, LEVEL CUT/ANGUT PILE WITH PILE NOT EXCEEDING 1/2" IN HEIGHT.
 - EXPOSED EDGES OF DOORMATS(S) ARE FASTENED TO FLOOR SURFACES AND HAVE TRIM ALONG THE ENTIRE LENGTH OF THE EXPOSED EDGE.
- DOORS**
- MINIMUM OF 3' IN WIDTH, 6'-8" IN HEIGHT.
 - OPENS A MINIMUM OF 90 DEGREES.
 - CLEAR WIDTH OF THE DOORWAY IS 32" MINIMUM.
 - DOUBLE DOORS / AUTOMATIC DOORS - AT LEAST ONE DOOR MUST COMPLY WITH 1, 2 AND 3 ABOVE.
 - BOTTOM 12" OF DOOR HAS A SMOOTH, UNINTERRUPTED SURFACE THAT ALLOWS DOOR TO BE OPENED BY A WHEELCHAIR FOOTREST WITHOUT CREATING A TRAP OR HAZARDOUS CONDITION.
NOTE: WHERE NARROW FRAME DOORS ARE USED, A 12-INCH-HIGH SMOOTH PANEL MUST BE INSTALLED ON THE PUSH SIDE BOTTOM OF THE DOOR WHICH WILL ALLOW THE DOOR TO BE OPENED BY A WHEELCHAIR FOOTREST WITHOUT CREATING A TRAP OR HAZARDOUS CONDITION.
 - EFFORT TO OPERATE DOORS IS WITHIN PRESSURES ALLOWED. INTERIOR DOORS - 5 POUNDS MAXIMUM PRESSURE TO OPERATE. FIRE DOORS - SEE APPROPRIATE ADMINISTRATIVE AUTHORITY.
 - TWO DOORS IN A SERIES PROVIDE A MINIMUM OF 48" CLEAR SPACE FROM ANY DOOR IN ANY POSITION.

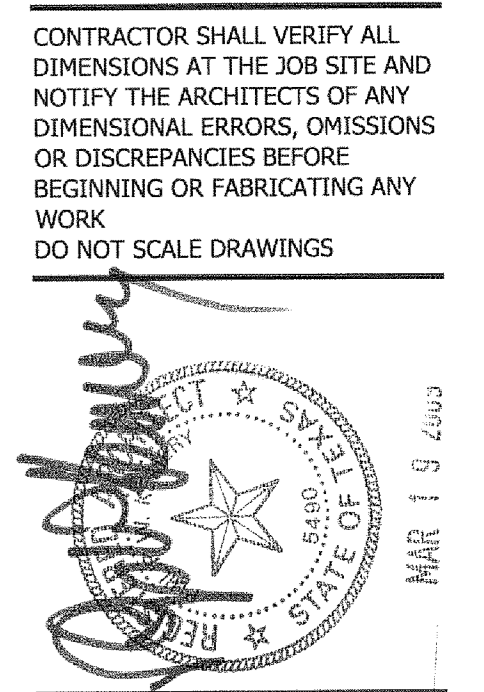
- DOOR HARDWARE**
- EXIT DOORS ARE OPERABLE FROM THE INSIDE WITHOUT THE USE OF A KEY OR ANY SPECIAL KNOWLEDGE OR EFFORT.
 - LATCHING AND LOCKING DOORS THAT ARE HAND OPERATED ARE OPERABLE WITH A SINGLE EFFORT (EX. LEVER TYPE, PANIC BARS OR PUSH-PULL TYPE).
 - OPENING HARDWARE IS NO HIGHER THAN 48" ABOVE FINISH FLOOR.
 - DOOR CLOSERS, IF PRESENT, MUST BE SET SO THAT IT TAKES AT LEAST 3 SECONDS TO CLOSE FROM AN OPEN POSITION OF 101 (DEGREES) TO A POINT 3" (INCHES) FROM THE LATCH.
 - HANDLES, PULLS, LATCHES, LOCKS AND OTHER OPERATING DEVICES ON ACCESSIBLE DOORS SHALL HAVE A SHAPE THAT IS EASY TO GRASP WITH ONE HAND AND DOES NOT REQUIRE TIGHT GRASPING, TIGHT PINCHING, OR TWISTING OF THE WRIST TO OPERATE. LEVER OPERATED MECHANISMS, PUSH-TYPE MECHANISMS, AND U-SHAPED HANDLES ARE ACCEPTABLE DESIGNS. WHEN SLIDING DOORS ARE FULLY OPEN, OPERATING HARDWARE SHALL BE EXPOSED AND USABLE FROM BOTH SIDES. HARDWARE REQUIRED FOR ACCESSIBLE DOOR PASSAGE SHALL BE MOUNTED NO HIGHER THAN 48 INCHES A.F.F.
- CLEAR SPACE AT DOORS**
- GENERAL - REGARDLESS OF THE OCCUPANT LOAD, THERE SHALL BE A FLOOR OR LANDING ON EACH SIDE OF A DOOR.
- FLOOR OR LANDING ON EACH SIDE OF THE DOOR IS LEVEL AND CLEAR.
 - LEVEL AREA IN THE DIRECTION OF THE DOOR SWING IS A MINIMUM OF 60" IN LENGTH.
 - LEVEL AREA OPPOSITE THE DIRECTION OF THE DOOR SWING IS A MINIMUM OF 42"-48" IN LENGTH, DEPENDING UPON DIRECTION OF APPROACH AND EXISTENCE OF LATCH AND CLOSER.
 - SURFACE SLOPE OF THE LEVEL AREA DOES NOT EXCEED 1 : 50 GRADIENT (2%).
 - MINIMUM STRIKE SIDE CLEARANCE ON FULL SIDE OF DOOR IS PROVIDED AT LANDINGS. (PER 4.13.6 & FIG. 25 TAS)
 - MINIMUM LATCH SIDE CLEARANCE ON PUSH SIDE OF DOOR IS PROVIDED AT LANDINGS. (PER 4.13.6 & FIG. 25 TAS)

- IDENTIFICATION SYMBOLS (FOR SANITARY FACILITIES)**
- THE INTERNATIONAL SYMBOL OF ACCESSIBILITY IS INSTALLED ON THE WALL ADJACENT TO THE LATCH SIDE OF THE DOOR. THE BORDER DIMENSION OF THIS PICTOGRAM SHALL BE A MINIMUM OF 6" IN HEIGHT.
NOTE: WHERE THERE IS NO WALL SPACE ON THE LATCH SIDE, INCLUDING AT DOUBLE LEAF DOORS, SIGNS SHALL BE PLACED ON THE NEAREST ADJACENT WALL, PREFERABLY ON THE RIGHT.
 - VERBAL DESCRIPTION AS TO RESTROOM USAGE (I.E. MEN'S RESTROOM, ETC.), IS PLACED DIRECTLY BELOW THE SYMBOL OF ACCESSIBILITY.
 - THE CHARACTERS AND BACKGROUND OF THE SIGN IS EGGSHELL, WHITE, OR OTHER NON-GLARE FINISH AND THE COLOR AND CONTRAST OF THE SIGN DISTINCTIVELY CONTRASTS WITH THE COLOR AND CONTRAST OF THE WALL.
NOTE: THE REQUIRED COLOR OF THE SYMBOL OF ACCESSIBILITY CONSIST OF A WHITE FIGURE ON A BLUE BACKGROUND. HOWEVER, THE APPROPRIATE ENFORCEMENT AGENCY MAY APPROVE SPECIAL SIGNS TO COMPLEMENT DECOR WHEN SUCH SIGNS PROVIDE ADEQUATE DIRECTION TO INDIVIDUALS WITH DISABILITIES.
 - SIGNS ARE CENTERED ON THE WALL 60" A.F.F. & 8" FROM EDGE OF SIGN TO EDGE OF DOOR DOOR FRAME.
 - LETTERS AND NUMERALS ARE RAISED 1/32", ARE SANS-SERIF UPPERCASE CHARACTERS AND ARE ACCOMPANIED BY GRADE 2 BRAILLE CHARACTERS ARE A MINIMUM 5/8" HIGH AND A MAXIMUM OF 2" HIGH.
 - MOUNTING LOCATION ALLOWS A PERSON TO APPROACH WITHIN 3" OF THE SIGNAGE WITHOUT ENCOUNTERING PROTRUDING OBJECTS OR STANDINGS WITHIN THE SWING OF A DOOR.

- SANITATION FACILITIES**
- ACCESSIBLE UNITS SHALL BE IDENTIFIED BY THE INTERNATIONAL SYMBOL OF ACCESSIBILITY.
 - EXCEPT AT DOORS, THE MINIMUM CLEAR WIDTH OF AN ACCESSIBLE ROUTE IN FACILITY IS 36".
 - ENTRY DOOR HAS PUSH & PULL FUNCTION (NO LATCHING DEVICE) W/ CLOSER.
 - SUFFICIENT SPACE FOR WHEELCHAIR MEASURING 30" X 48" TO ENTER ROOM AND PERMIT THE DOOR TO CLOSE IS PROVIDED.
 - A CLEAR SPACE OF SUFFICIENT SIZE TO INSCRIBE A 60" DIAMETER CIRCLE IS PROVIDED WITHIN THE SANITARY FACILITY ROOM.
 - 60" SPACE IS CLEAR OF OBJECTS FROM THE FLOOR TO A HEIGHT OF 8'.
 - CLEAR FLOOR SPACE FOR WATER CLOSETS IN STALLS SHALL COMPLY WITH DIAGRAMS THIS SHEET. CLEAR FLOOR SPACE MAY BE ARRANGED TO ALLOW EITHER A RIGHT HANDED OR A LEFT HANDED APPROACH.
 - 18" BETWEEN CENTER OF WATER CLOSET AND SIDE-WALL CORNER.
 - TOILET SEATS SHALL NOT BE SPRUNG TO RETURN TO A LIFTED POSITION.
 - TOP OF TOILET SEAT IS 17" - 19" FROM FLOOR SURFACE.
 - FLUSH VALVE IS ON WIDE SIDE OF TOILET AREA.
 - 44" MAXIMUM FROM FLOOR TO FLUSH VALVE.
 - 5 LB. MAXIMUM FORCE TO OPERATE FLUSH VALVE.
 - WALLS WITHIN COMPARTMENT ARE SMOOTH, HARD AND NON-ABSORBENT TO 48" IN HEIGHT, AND ARE NOT ADVERSELY AFFECTED BY MOISTURE.
 - FLOOR SURFACES OF TOILET ROOM ARE SMOOTH, HARD AND NON-ABSORBENT EXTENDING UPWARD A MINIMUM OF 5' ONTO WALLS.
 - REAR GRAB BAR IS A MINIMUM OF 42" LONG.
 - THE FORWARD END OF THE GRAB BAR IS LOCATED A MINIMUM OF 54" FROM THE BACK WALL.
 - SIDE GRAB BAR BEGINS A MAXIMUM OF 12" FROM THE REAR WALL.
 - REAR GRAB BAR IS A MINIMUM 48" LONG, WITH THE ADDITIONAL LENGTH PROVIDED ON THE TRANSFER SIDE OF THE WATER CLOSET.
 - REAR GRAB BAR BEGINS A MAXIMUM OF 6" FROM THE CORNER OF THE WALL ON THE TOILET SIDE.
 - DIAMETER OF GRAB BAR(S) IS 1-1/4" - 1-1/2" OR SHAPE PROVIDES EQUIVALENT GRIPPING SURFACE.

- LAVATORIES**
- MINIMUM 30" X 48" CLEAR SPACE IS PROVIDED IN FRONT OF LAVATORY THAT ALLOWS FORWARD APPROACH. BLUE ROUTE AND EXTENDS A MAXIMUM OF 14" UNDERNEATH THE LAVATORY.
 - REQUIRED CLEAR SPACE ADJOINS OR OVERLAPS AN ACCESSIBLE ROUTE ADJACENT TO A SIDE WALL HAVE A MINIMUM 18" DISTANCE TO CENTER OF FIXTURE.
 - 34" MAXIMUM HEIGHT OF RIM OR COUNTER ABOVE FLOOR SURFACE.
 - 29" MINIMUM CLEARANCE FROM BOTTOM OF APRON TO THE FLOOR.
 - KNEE CLEARANCE UNDER FRONT LIP IS A MINIMUM OF 27" HIGH, 30" WIDE, AND EXTENDS A MINIMUM OF 8" IN DEPTH FROM THE FRONT OF THE LAVATORY.
 - TOE CLEARANCE UNDER LAVATORY IS A MINIMUM OF 4" HIGH 30" WIDE, AND EXTENDS A MINIMUM OF 17" IN DEPTH FROM THE FRONT OF THE LAVATORY.
 - DRAIN AND HOT WATER PIPING IS INSULATED OR CONFIGURED TO PREVENT CONTACT.
 - THERE ARE NO SHARP OR ABRASIVE ELEMENTS UNDER LAVATORY.
 - FAUCETS ARE LEVER TYPE, ELECTRONICALLY ACTIVATED OR APPROVED SELF CLOSING VALVES (MIN. 10 SECOND OPEN FLOW).
 - FAUCETS ARE OPERABLE WITH ONE HAND AND DO NOT REQUIRE TIGHT GRASPING, PINCHING OR TWISTING OF THE WRIST.
 - 5 LB. MAXIMUM FORCE REQUIRED TO ACTIVATE CONTROLS.
- URINALS**
- 30" WIDE X 48" DEEP MINIMUM CLEAR ACCESS IN FRONT OF FIXTURE. (ONE FIXTURE ONLY REQUIRED).
 - ONE FULL UNOBSTRUCTED SIDE OF THE CLEAR FLOOR OR GROUND SPACE ADJOINS OR OVERLAPS AN ACCESSIBLE ROUTE OR ADJOINS ANOTHER WHEELCHAIR CLEAR FLOOR SPACE.
 - WALL HUNG, TAPERED ELONGATED RIM @ 17" MAX. A.F.F.
 - 44" MAXIMUM HEIGHT OF FLUSH VALVE ABOVE FLOOR.
 - 5 LB. MAXIMUM PRESSURE TO OPERATE FLUSH VALVE.
 - 14" MINIMUM PROJECTION FROM WALL.
 - FLOOR SURFACES ARE SMOOTH, HARD AND NON-ABSORBENT EXTENDING UPWARD A MINIMUM OF 5' ONTO WALLS.
 - WALLS WITHIN 24" OF FRONT AND SIDES OF URINAL ARE SMOOTH, HARD AND NON-ABSORBENT TO 48" IN HEIGHT, AND ARE NOT ADVERSELY AFFECTED BY MOISTURE.

- ACCESSORIES IN SANITARY FACILITIES**
- MINIMUM 30" X 48" CLEAR FLOOR OR GROUND SPACE IS PROVIDED TO ALLOW FORWARD OR PARALLEL APPROACH TO ACCESSORIES.
 - ONE FULL UNOBSTRUCTED SIDE OF THE CLEAR FLOOR OR GROUND SPACE ADJOINS OR OVERLAPS AN ACCESSIBLE ROUTE OR ADJOINS ANOTHER WHEELCHAIR CLEAR FLOOR SPACE.
 - MIRROR(S) IS MOUNTED WITH THE BOTTOM OF THE REFLECTIVE SURFACE EDGE NO HIGHER THAN 40" A.F.F. AND WITH THE TOP OF THE REFLECTIVE SURFACE EDGE NO LOWER THAN 14" A.F.F.
 - OPERABLE PARTS (INCLUDING COIN SLOTS) OF ALL FIXTURES OR ACCESSORIES ARE LOCATED A MAXIMUM OF 40" ABOVE FLOOR (I.E. SOAP DISPENSERS, TOWELS, TOILET SEAT COVERS, AUTO-DRYERS, SANITARY NAPKIN DISPENSERS, WASTE RECEPTACLES, ETC.).
 - CONTROLS AND OPERATING MECHANISMS ARE OPERABLE WITH ONE HAND AND DO NOT REQUIRE TIGHT GRASPING, PINCHING, OR TWISTING OF THE WRIST.
 - THE FORCE TO ACTIVATE CONTROLS IS 5 LB. MAXIMUM.



Linear!
the architecture of Kemery Brundige and Young
8600 Freepoint Pkwy. Ste. 310
Irving, TX 75063
Phone: 972.929.9226
Fax: 972.929.9061
linbox@linear-architecture.com

**COOK CHILDREN'S
PRIMARY CARE CLINIC**
BURLESON, TX