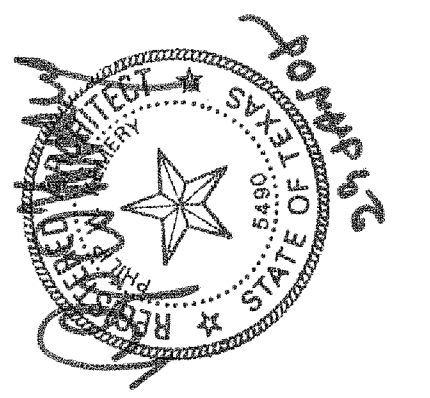


CONTRACTOR SHALL VERIFY ALL DIMENSIONS AT THE JOB SITE AND NOTIFY THE ARCHITECTS OF ANY DIMENSIONAL ERRORS, OMISSIONS OR DISCREPANCIES BEFORE BEGINNING OR FABRICATING ANY WORK. DO NOT SCALE DRAWINGS.



linear! the architecture of Kemery Brundige and Young 5005 W. Royal Lane, Suite 144 Irving, TX 75063 Fax: 972.979.9661 info@linear-architecture.com

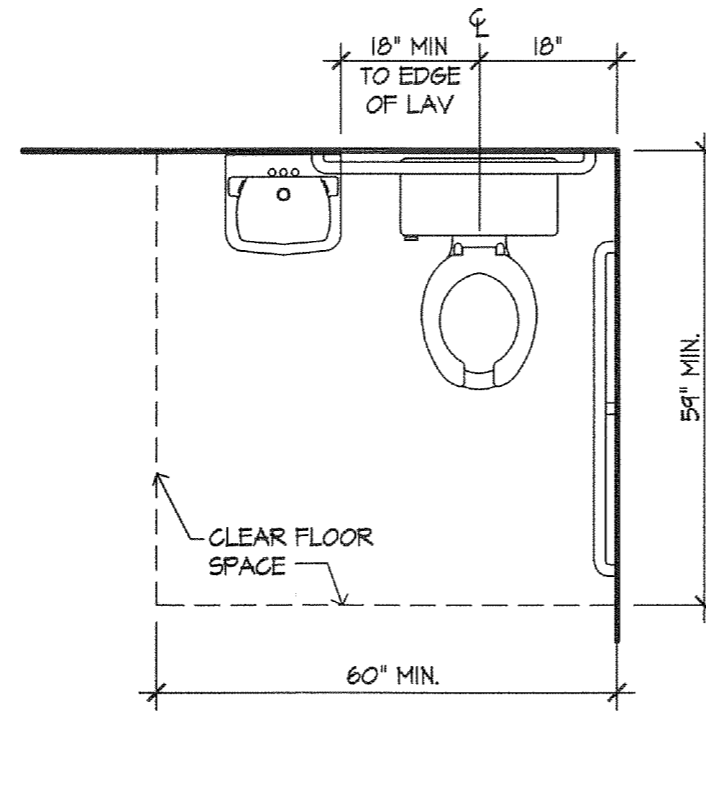
COOK CHILDREN'S PRIMARY CARE CLINIC FT. WORTH, TX

JOB NUMBER 07.210

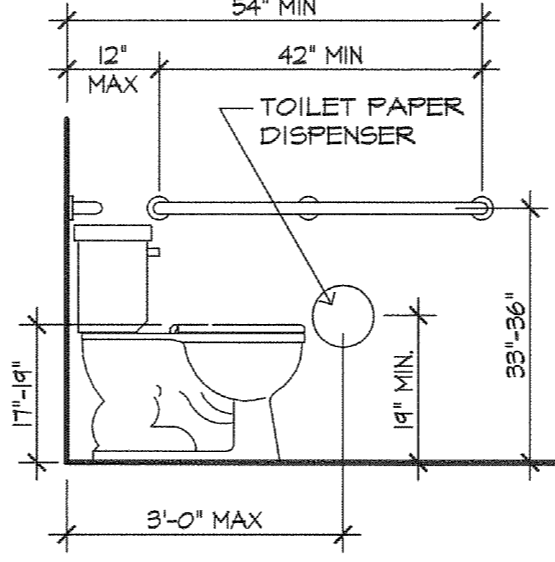
SHEET TITLE ACCESS. REQMS. & DETAILS SHEET NUMBER

A5

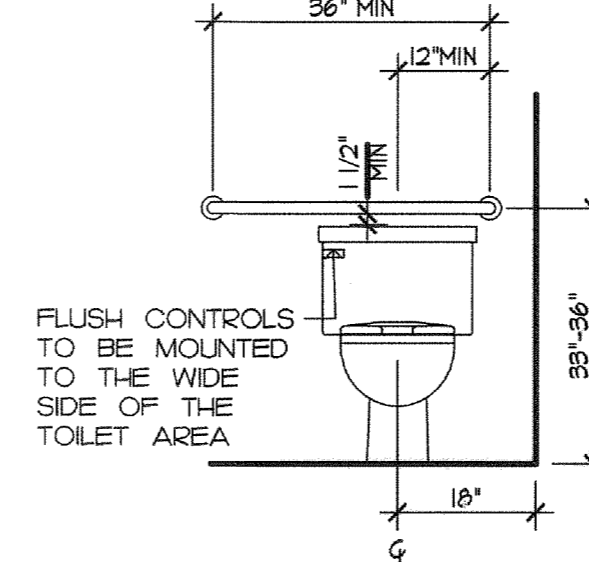
DATE OF ORIGINAL ISSUE 29 NOVEMBER 2007



PLAN VIEW



SIDE VIEW



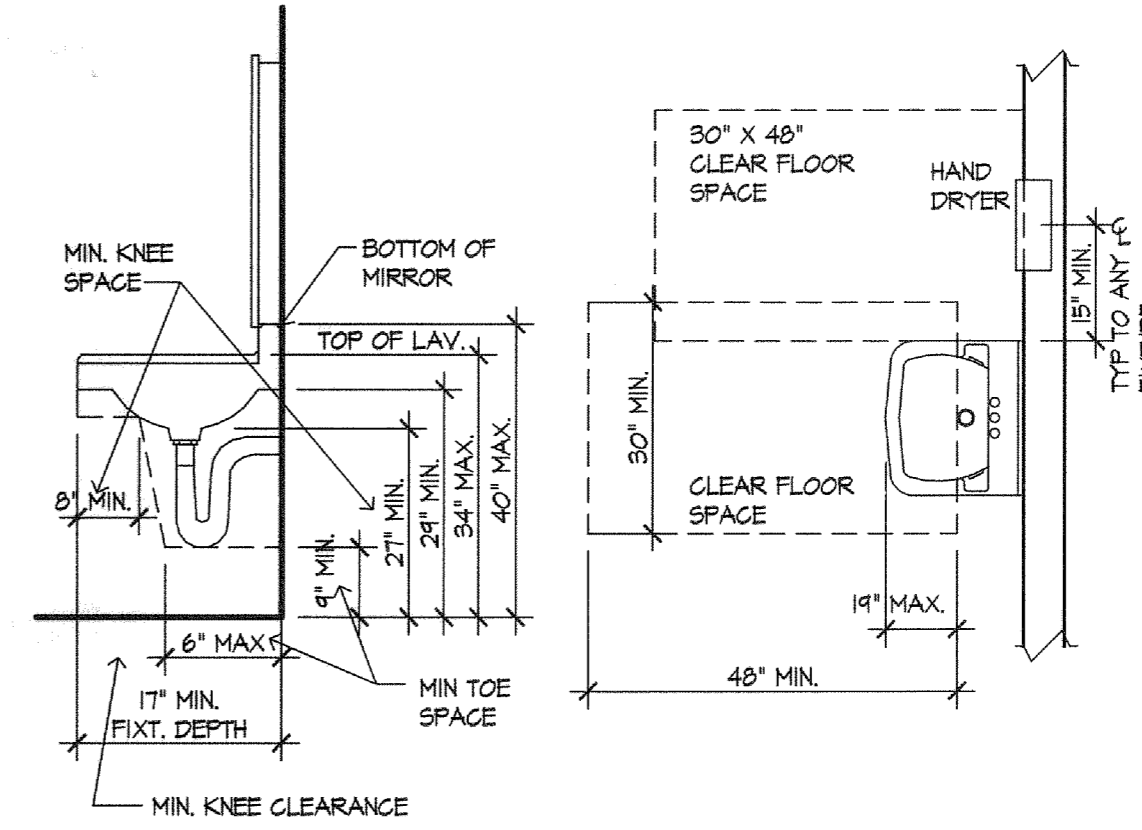
FRONT VIEW

TOILETS & TOILET STALLS

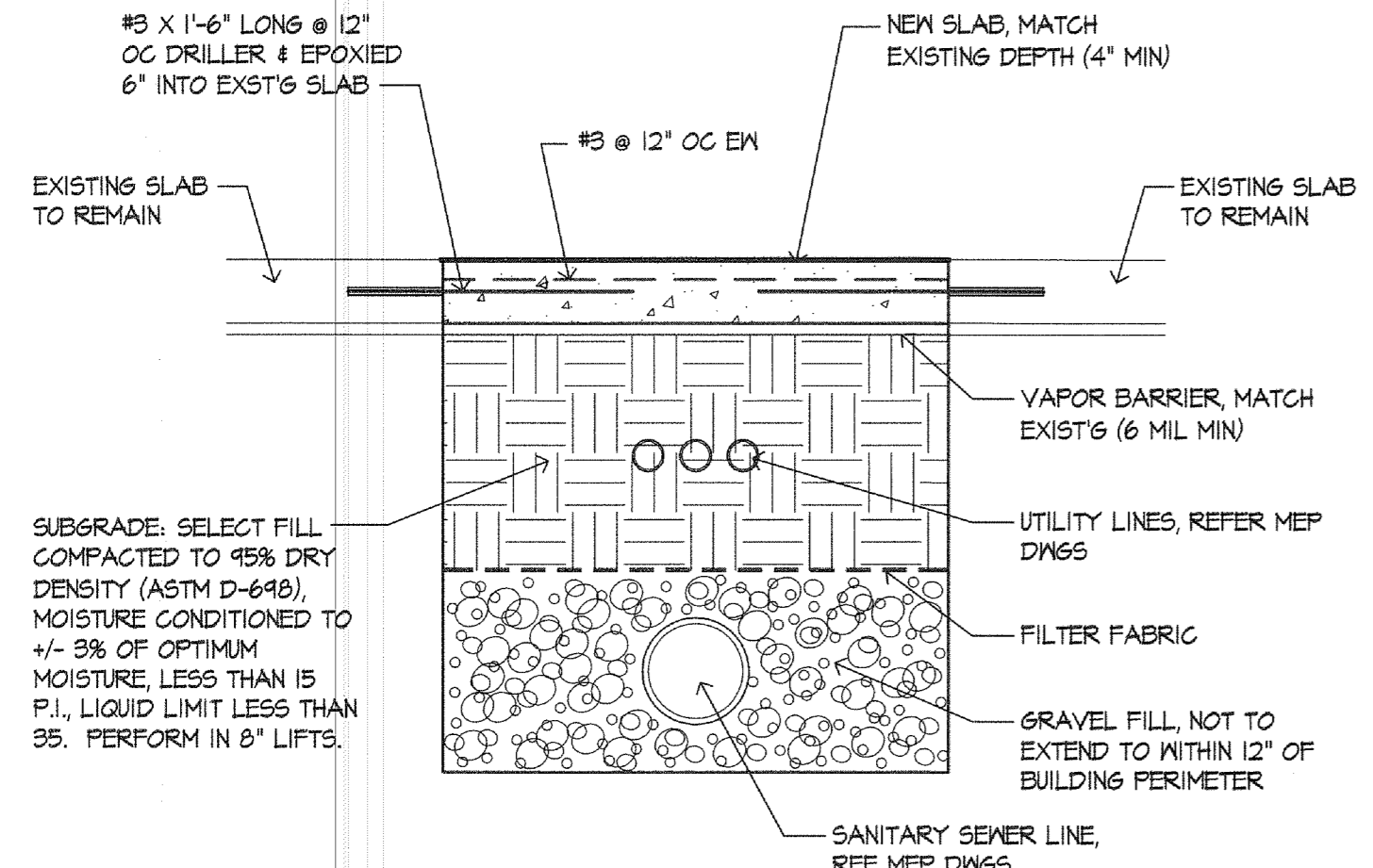
- NOTE: BY CONTRACTOR UNO. EACH TOILET SHALL BE EQUIPPED WITH: 1. ONE 42\"/>

NOTE: ALL BATHROOMS SHALL HAVE FRP OR EQUAL INSTALLED ON ALL WALLS 4\"/>

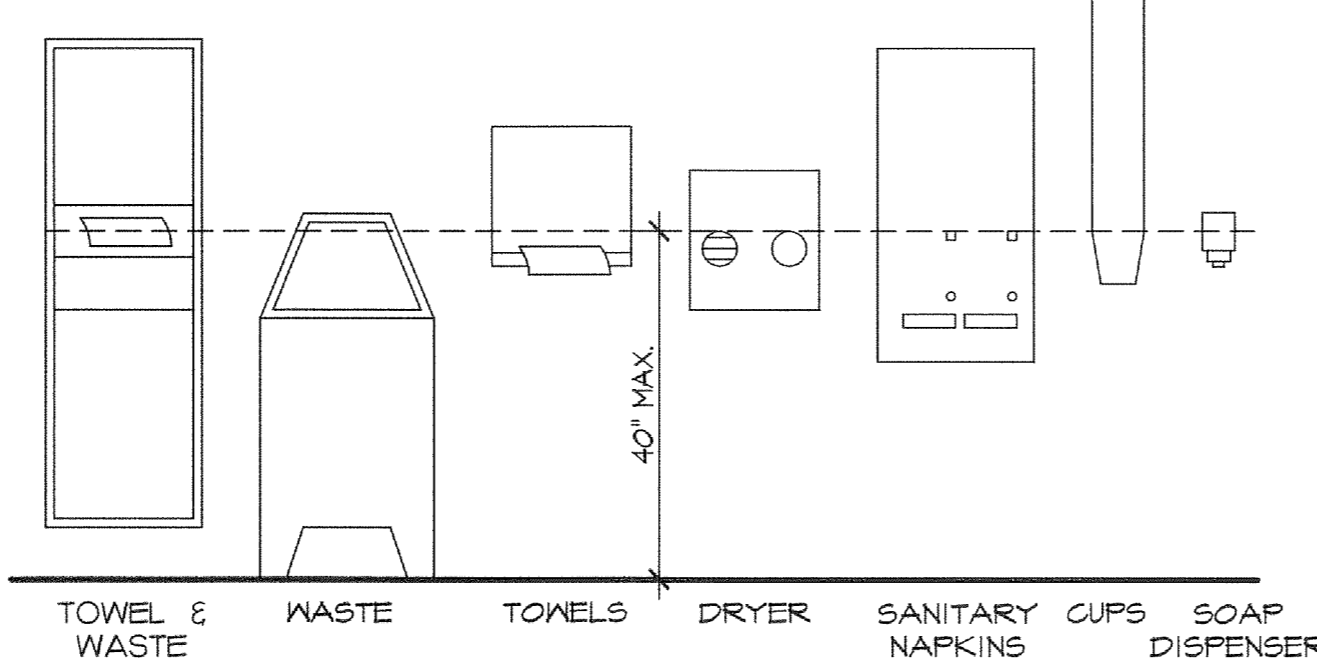
LAVATORIES & MIRRORS



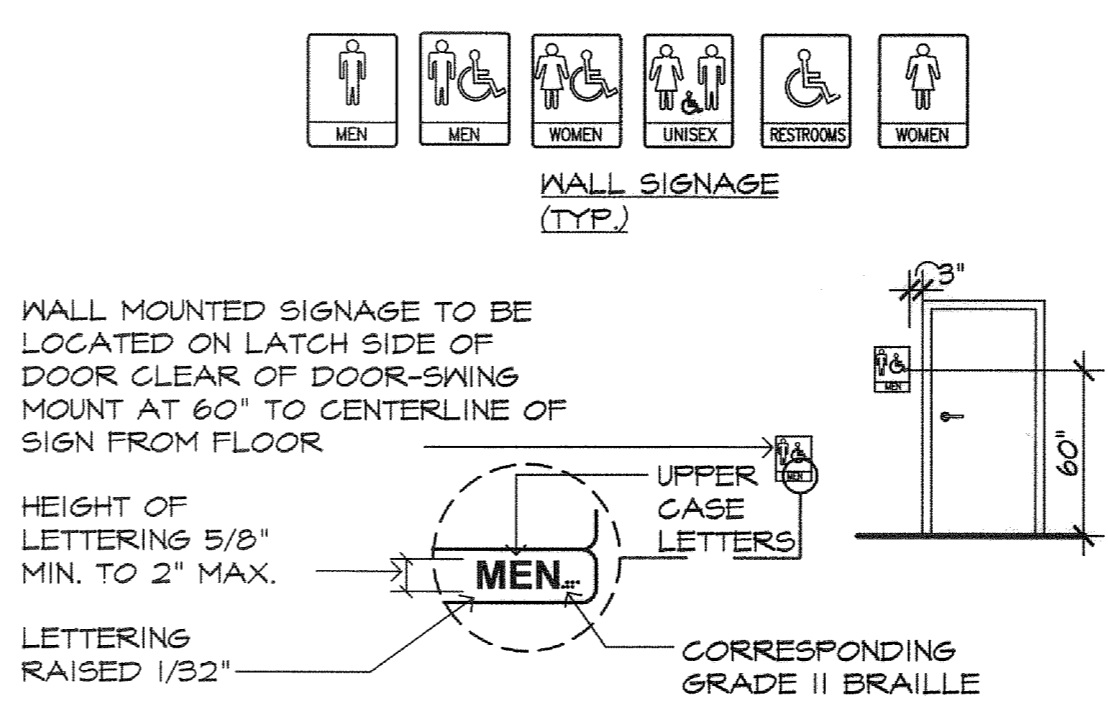
NOTE: TREAT ALL SOIL EXPOSED DURING TRENCHING AND/OR ALL SOIL NOT CONNECTED BY AN EXISTING CONCRETE SLAB AT THE START OF CONSTRUCTION WITH TERMITE TREATMENT AS



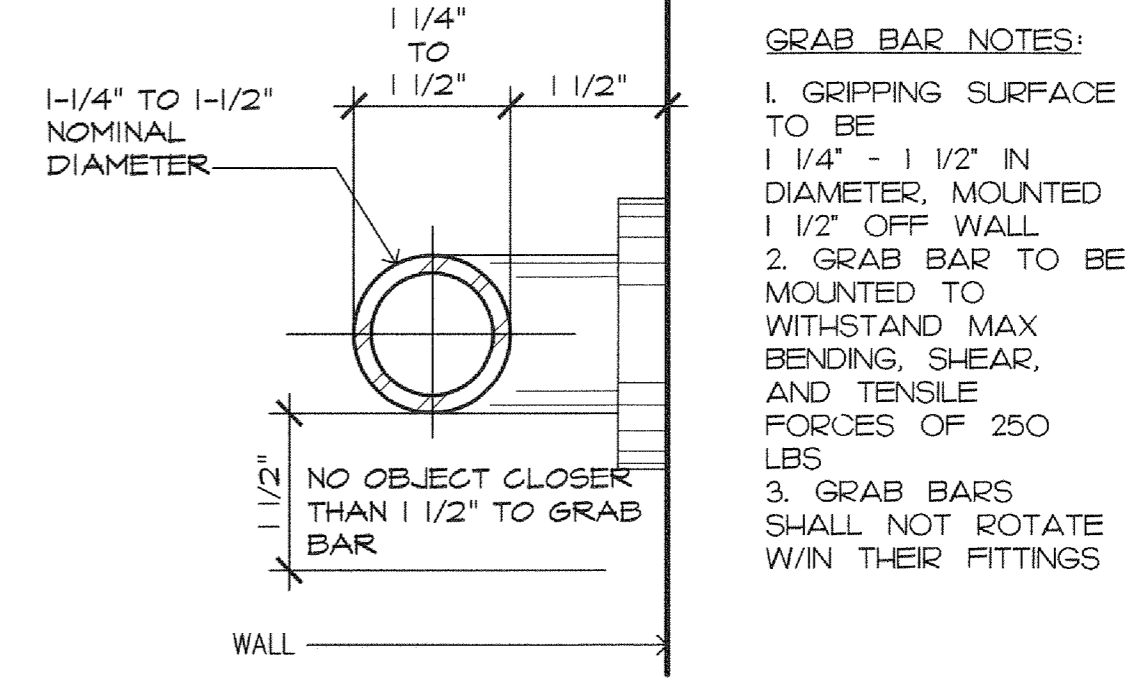
02 TRENCH DETAIL N.T.S.



ACCESSORIES



TOILET ROOM SIGNAGE



GRAB BARS

01 ACCESSIBLE MOUNTING HEIGHTS, DIMENSIONS & CONFIGURATIONS NTS

GENERAL ACCESSIBILITY NOTES:

- THRESHOLDS 1. FLOOR(S) OR LANDING(S) ARE NOT MORE THAN 1/2\"/>

- DOOR HARDWARE 1. EXIT DOORS ARE OPERABLE FROM THE INSIDE WITHOUT THE USE OF A KEY OR ANY SPECIAL KNOWLEDGE OR EFFORT.

- IDENTIFICATION SYMBOLS (FOR SANITARY FACILITIES) 1. THE INTERNATIONAL SYMBOL OF ACCESSIBILITY IS INSTALLED ON THE WALL ADJACENT TO THE LATCH SIDE OF THE DOOR.

- SANITATION FACILITIES 1. ACCESSIBLE UNITS SHALL BE IDENTIFIED BY THE INTERNATIONAL SYMBOL OF ACCESSIBILITY.

- 22. CLEARANCE BETWEEN THE GRAB BAR(S) AND WALL IS 1-1/2\"/>

- URINALS 1. 30\"/>

- ACCESSORIES IN SANITARY FACILITIES 1. MINIMUM 30\"/>