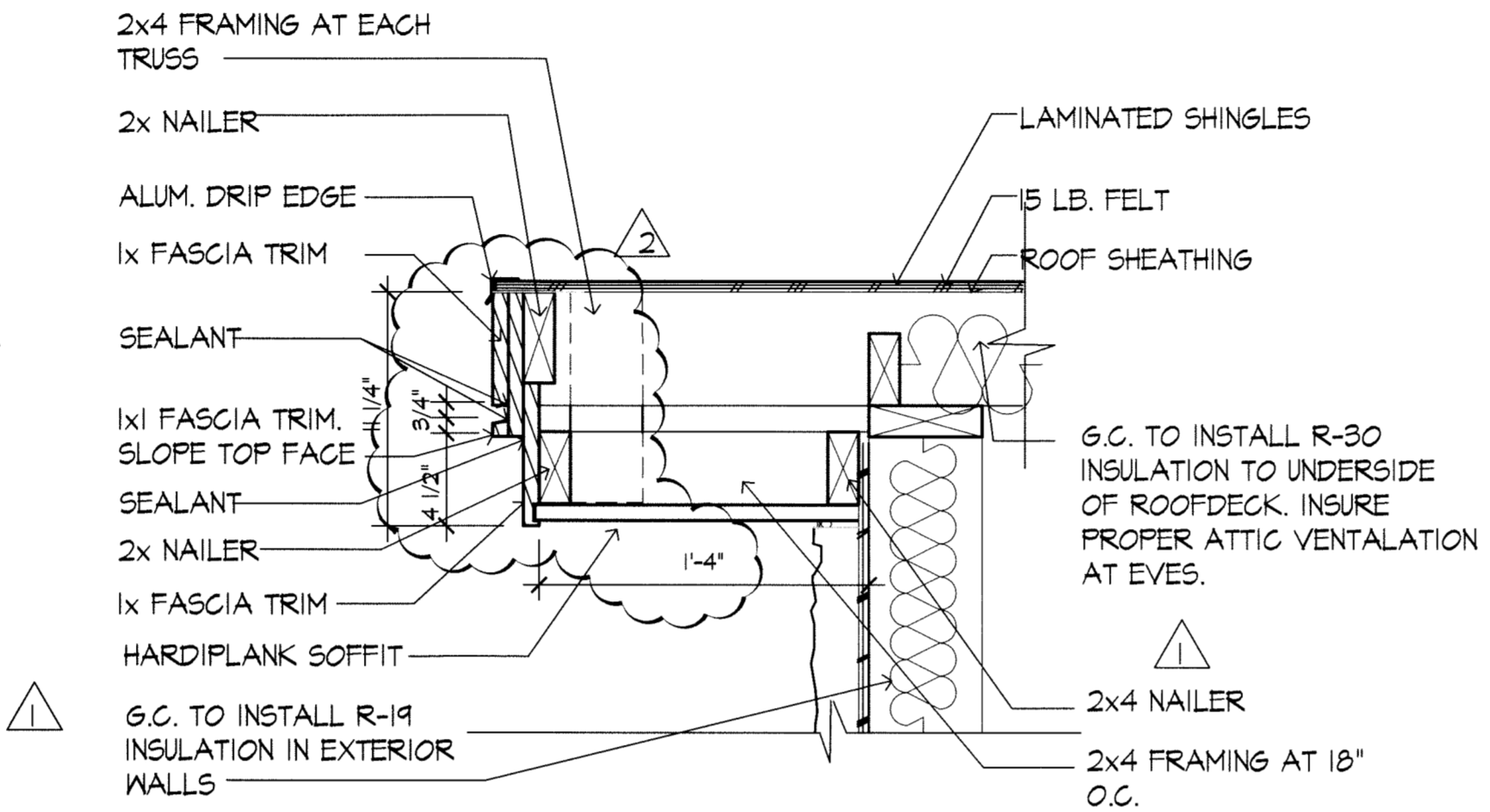
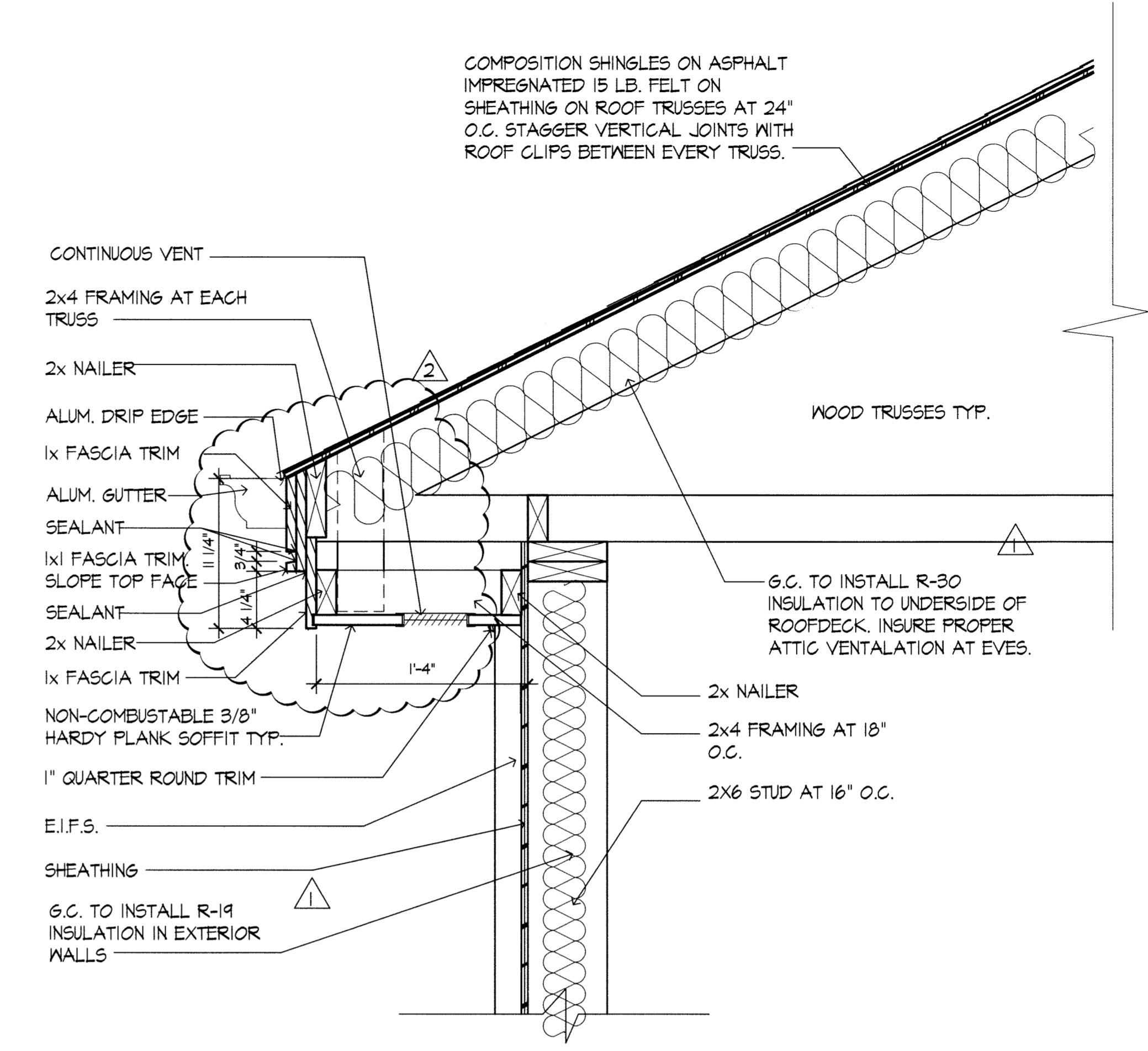


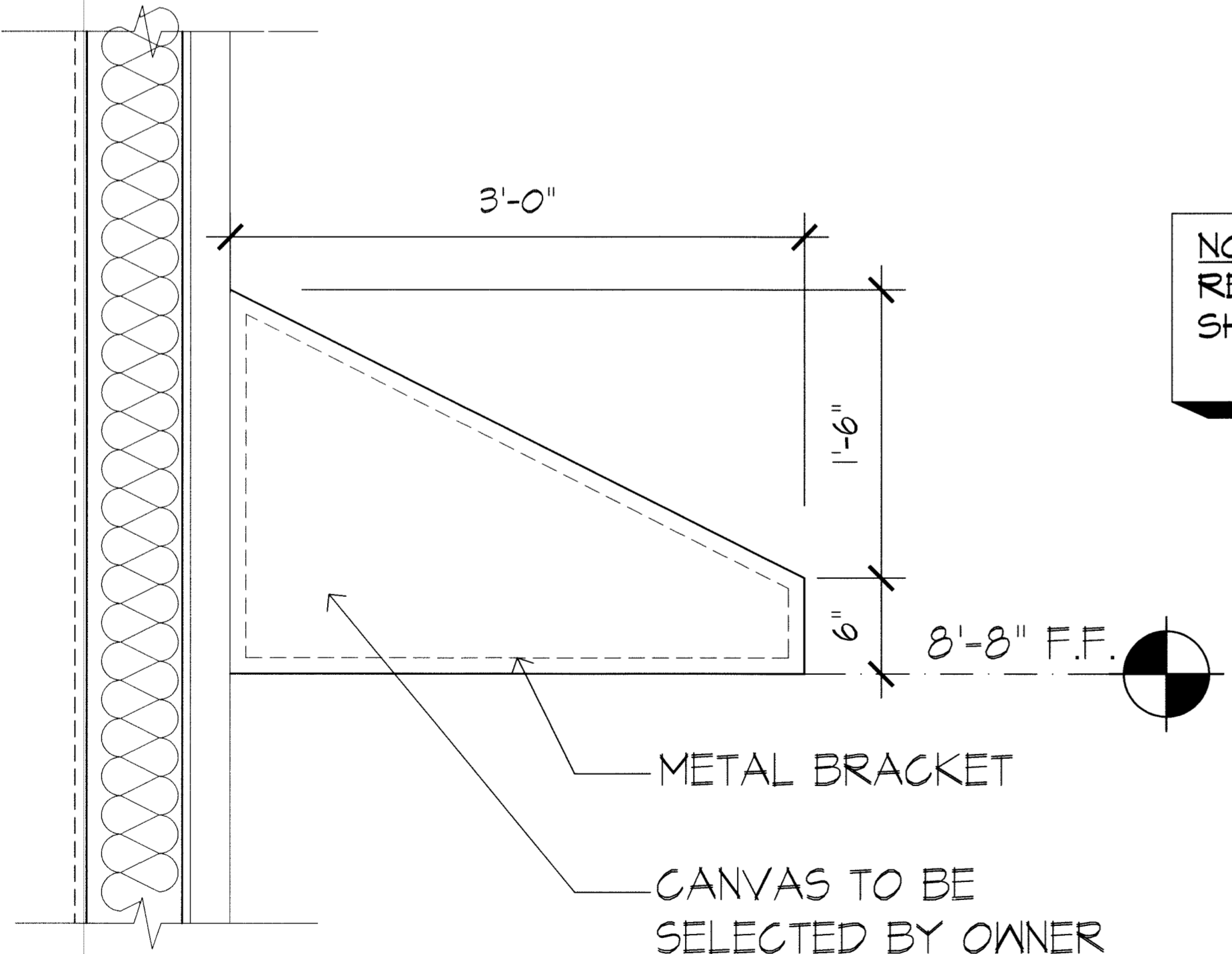
**1 METAL CANOPY**  
SCALE: 1/8" = 1'-0"



**2 TYP. RAKE AT GABLE**  
SCALE: 1 1/2" = 1'-0"



**3 TYP. EAVE DETAIL**  
SCALE: 1-1/2" = 1'-0"

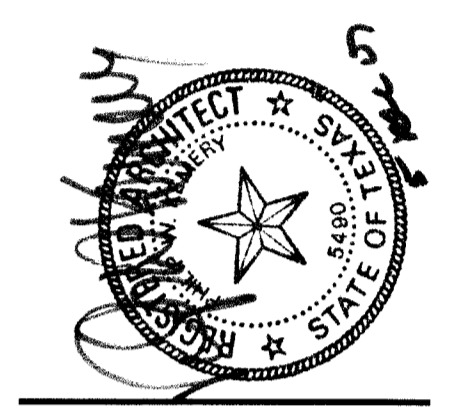


**4 TYP. CANVAS AWNING**  
SCALE: 1/8" = 1'-0"

**NOTE:**  
REFER TO STRUCTURAL SHEETS FOR ALL SHEATHING SPECIFICATIONS

APPENDIX 1	NO. 1	DATE	BY
APPENDIX 3			
11-21-07	11-27-07		

CONTRACTOR SHALL VERIFY ALL DIMENSIONS AT THE JOB SITE AND NOTIFY THE ARCHITECTS OF ANY DIMENSIONAL ERRORS, OMISSIONS OR DISCREPANCIES BEFORE BEGINNING OR FABRICATING ANY WORK  
DO NOT SCALE DRAWINGS



**Linear!**  
the architecture of Kerym Brundige and Young  
5005 W. Royal Lane, Suite 144  
Ft. Worth, TX 76105  
Phone: 972.929.9226  
Fax: 972.929.9061  
inbox@linear-architecture.com

**HERITAGE TRACE  
OFFICE PARK  
PHASE 4  
FT. WORTH, TX**

JOB NUMBER  
**07.131**

SHEET TITLE  
**DETAILS**

SHEET NUMBER  
**A4.3**

DATE OF ORIGINAL ISSUE  
NOVEMBER 2nd, 2007