

ROOM FINISH SCHEDULE

PAINT

PT-1 SHERWIN WILLIAMS - DIVERSE BEIGE - SW-6079 - ALL WALLS U.N.O.

PT-2 SHERWIN WILLIAMS - COBBLEBROWN - SW-6082 - ALL DOOR FRAMES U.N.O.

NOTE: ALL WALLS TO RECIEVE ORANGE PEEL TEXTURE

FLOOR TILE

VT-1 ARMSTRONG TILE - 51810 WASHED LINEN

VT-2 ARMSTRONG TILE - 51901 TAUPE (BORDER)

VT-3 ARMSTRONG TILE - 51946 GENTIAN BLUE

VT-4 ARMSTRONG TILE - 51884 GREENERY

VT-5 ARMSTRONG TILE - 51812 LEMON YELLOW

VT-6 ARMSTRONG TILE - 52517 JESTER RED

NOTE: ALL VCT TO BE KELLY-MOORE EGGSHELL ACRYLIC OR APPROVED EQUAL

PLASTIC LAMINATE:

PLAM-1 WILSONART D72-60 - FEATHERSTONE ALL MILLWORK EXCEPT COUNTER TOPS

PLAM-2 WILSONART 4590-60 - GREY MILLSTONE ALL COUNTER TOPS

PLAM-3 IPC LAMINATE - WOOD DRIFT (TOILET WAINSCOT & ALL CHAIR RAILS)

BASE

RBC-1 RUBBER COVE WALL BASE ARMSTRONG #11 - ELEPHANT TAUPE

CARPET:

CPT-1 CARPET STYLE: BUILDING WORKS MANF.: LEES CARPET OR APPROVED EQUAL

GENERAL NOTES:

A. ALL WALLS TO BE PAINTED PT-1, UNLESS NOTED OTHERWISE.

B. RESILIENT BASE TO BE ROLLED GOOD MATERIAL.

C. PROVIDE SCHLUTER SYSTEM STAINLESS STEEL TRANSITION STRIP AT FLOOR MATERIAL CHANGES.

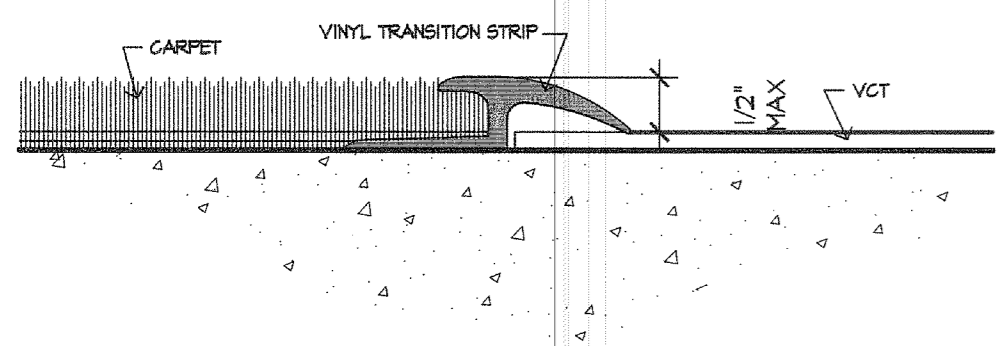
FINISH NOTE:

1. ALL WALLS PT-1 U.N.O.

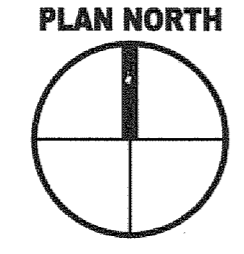
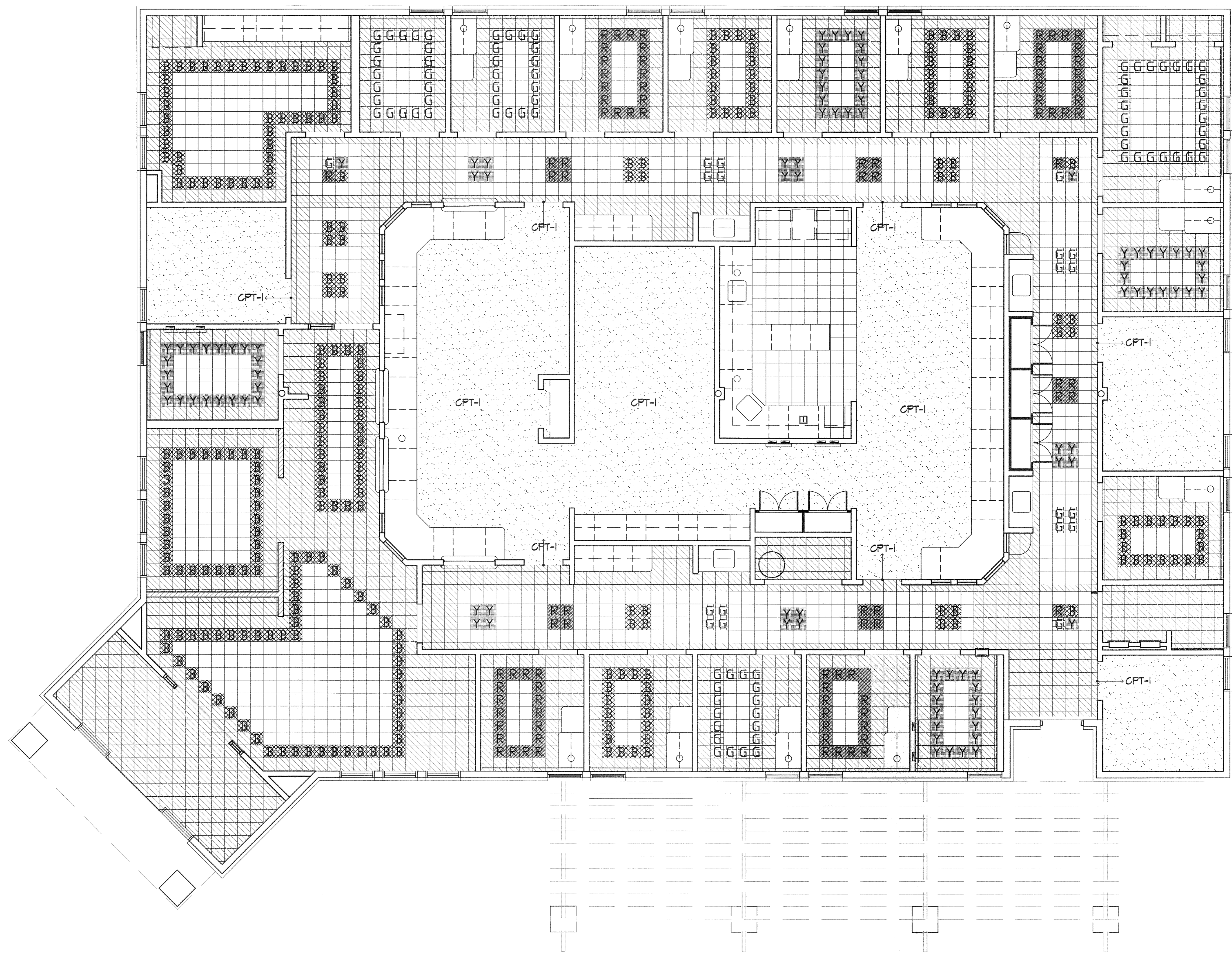
2. ALL PAINTED SURFACES TO RECIEVE 1 COAT OF MANUFACTURER RECOMMENDED PRIMER & 2 COATS LATEX PAINT AS SCHEDULED

3. EXTEND ADJACENT FLOOR FINISH INTO ALL CABINET RECESSES, LEAVE OUTS & KNEE SPACES

TRANSITION STRIP DETAIL



CARPET/VCT



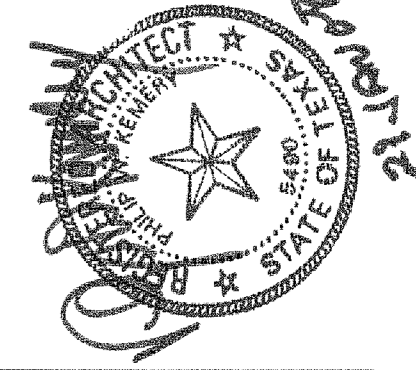
2 FINISH PLAN
SCALE: 1/4" = 1'-0"

01-24-06 OWNER REVISIONS

DATE

NO.

CONTRACTOR SHALL VERIFY ALL DIMENSIONS AT THE JOB SITE AND NOTIFY THE ARCHITECTS OF ANY DIMENSIONAL ERRORS, OMISSIONS OR DISCREPANCIES BEFORE BEGINNING OR FABRICATING ANY WORK DO NOT SCALE DRAWINGS



Linear!
the architecture of Kemery Brundige and Young
5005 W Royal Lane Suite 144
Ft. Worth, TX 76107
Ph: 972.929.9226
Fax: 972.929.9061
inbox@linear-architecture.com

COOK CHILDREN'S
PRIMARY CARE CLINIC
FT. WORTH, TX

JOB NUMBER
07.210

SHEET TITLE
FINISH PLAN

SHEET NUMBER
A3

DATE OF ORIGINAL ISSUE
29 NOVEMBER 2007