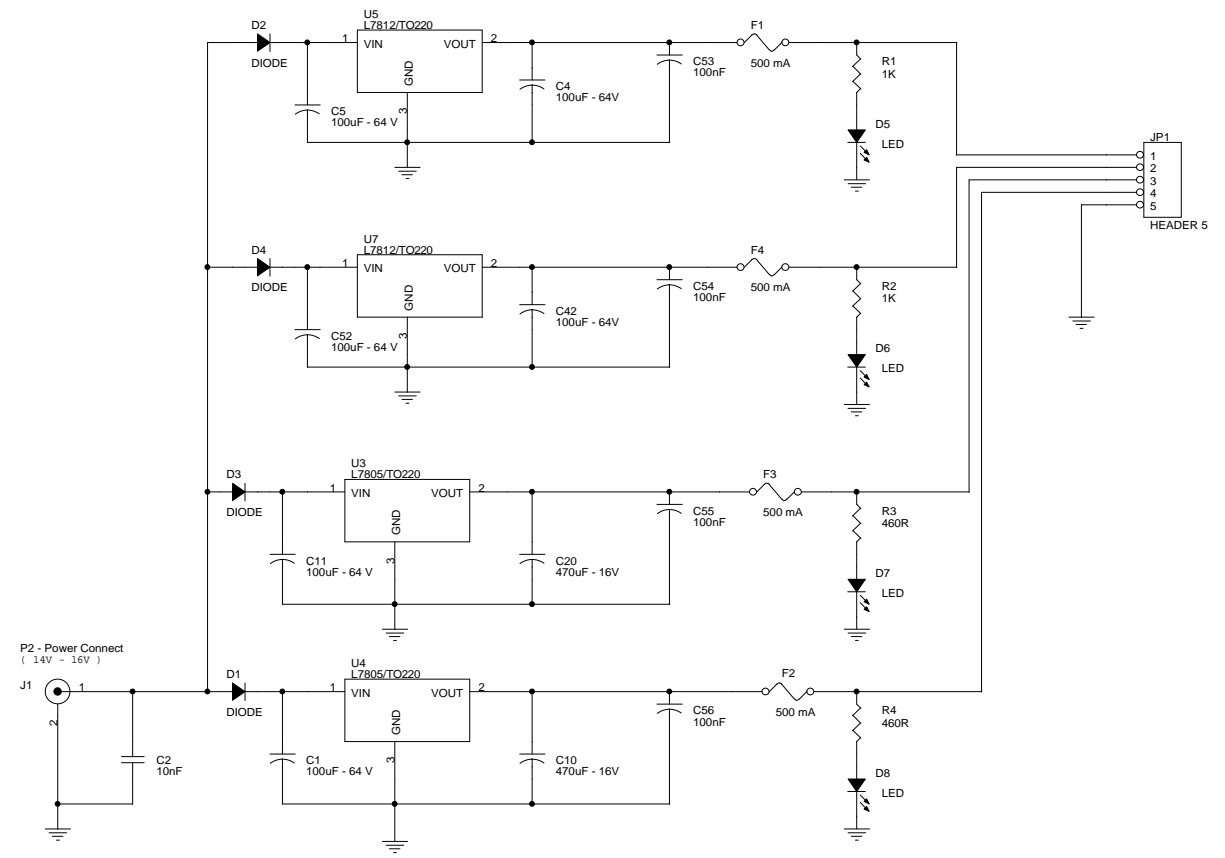


5 4 3 2 1

5 4 3 2 1

D  
C  
B  
A

D  
C  
B  
A



Title	<Title>	
Size	Document Number	Rev
A3	<Doc>	<Rev Code>
Date:	Tuesday, July 18, 2006	Sheet 1 of 1