

5

4

3

2

1

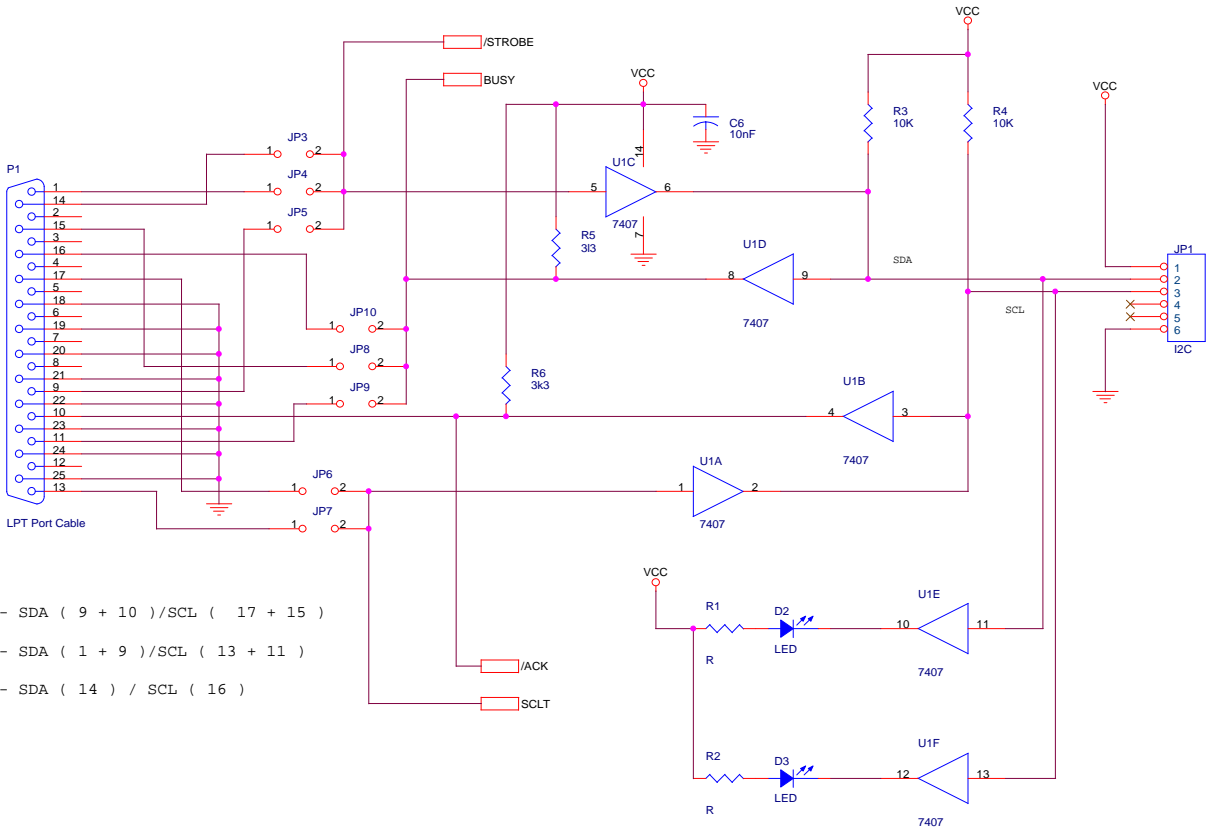
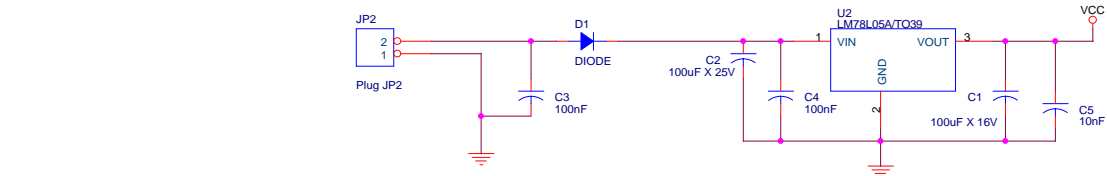
5

4

3

2

1



Model 1 - SDA ( 9 + 10 ) / SCL ( 17 + 15 )  
 Model 2 - SDA ( 1 + 9 ) / SCL ( 13 + 11 )  
 Model 3 - SDA ( 14 ) / SCL ( 16 )

Title			<Title>
Size	Document Number	Rev	
A3	<Doc>	<Rev Code>	
Date:	Wednesday, August 02, 2006	Sheet	1 of 1