



Applies To: **2001-02 Civic – ALL**
2002 CR-V – ALL

July 2, 2004

SIDE AIRBAG OFF Indicator Comes On (Supersedes 02-054, dated October 8, 2002)

SYMPTOM

The **SIDE AIRBAG OFF** indicator comes for no reason: there are no objects on the front passenger's seat cushion; the seat-back is dry; and there are no aftermarket seat covers, cushions, backrests, or other accessories installed on the seat.

Typical customer complaints are

- The indicator comes on and stays on after turning the ignition switch to ON (II). (The indicator should come on briefly, and then go off.)
- The indicator comes on and stays on while driving.
- The indicator blinks intermittently while driving.
- The indicator blinks intermittently with the vehicle stationary.

PROBABLE CAUSE

A faulty OPDS unit.

CORRECTIVE ACTION

If the **SIDE AIRBAG OFF** indicator comes on and stays on or it blinks intermittently when there are no objects on the front passenger's seat cushion; the seat-back is thoroughly dry; and there are no aftermarket seat covers, cushions, backrests, or other accessories installed on the seat, replace the OPDS unit.

PARTS INFORMATION

OPDS Unit (2001-02 Civic 4-door):
 P/N 81334-S5H-J12, H/C 7670805

OPDS Unit (2001-02 Civic 2-door):
 P/N 81334-S5P-306, H/C 7620115

OPDS Unit (2002 CR-V):
 P/N 81334-S9A-J43, H/C 7629512

WARRANTY CLAIM INFORMATION

In warranty: The normal warranty applies.

OP#	Description	FRT
751109	Replace the OPDS unit	0.3
738506	Drive the vehicle (cruise control learn procedure for certain 2001 Civic 2-door EX, LX)	0.3

Failed Part: P/N 81334-S5A-J01
 H/C 6460794

Defect Code: 03214

Symptom Code: 03205

Skill Level: Repair Technician

Out of warranty: Any repair performed after warranty expiration may be eligible for goodwill consideration by the District Parts and Service Manager or your Zone Office. You must request consideration, and get a decision, before starting work.

DIAGNOSIS

1. Make sure there are no objects on the front passenger's seat cushion; the seat-back is thoroughly dry; and there are no aftermarket seat covers, cushions, backrests, or other accessories installed on the seat. Turn the ignition switch to ON (II).

*Does the **SIDE AIRBAG OFF** indicator come on and stay on or blink intermittently?*

Yes – Go to **REPAIR PROCEDURE**.

No – Go to step 2.

2. Ask your customer about the condition of the seat when the indicator came on.

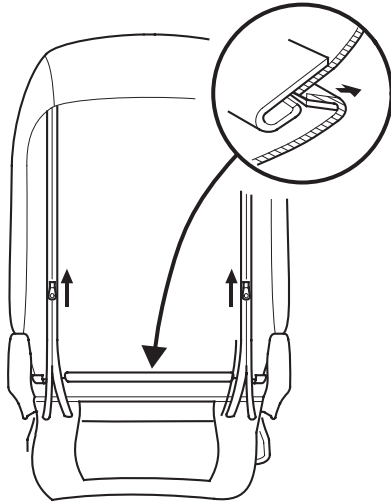
Was there anything on the seat cushion; was the seat-back wet; or was an aftermarket seat cover, cushion, backrest or other accessory installed on the seat?

Yes – Return the vehicle to your customer. Advise him or her (1) to make sure the front seat passenger is sitting up properly in the seat, (2) to keep objects (grocery bags, brief cases, laptop computers) off the front passenger's seat cushion, (3) to avoid getting the front passenger's seat-back wet, and (4) to never use aftermarket seat covers, cushions, backrests, or other accessories on the front seats.

No – Go to **REPAIR PROCEDURE**.

REPAIR PROCEDURE

1. Make sure you have the anti-theft code for the radio, then write down your customer's radio station presets.
2. Turn the ignition switch to LOCK (0).
3. Disconnect the negative battery cable, then wait at least **3 minutes** before you start work.
4. Unzip the two seat cover zippers on the back of the front passenger's seat.

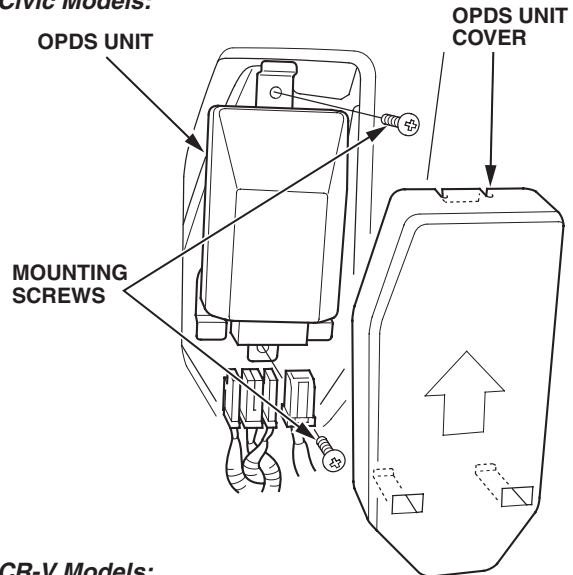


(Civic is shown.)

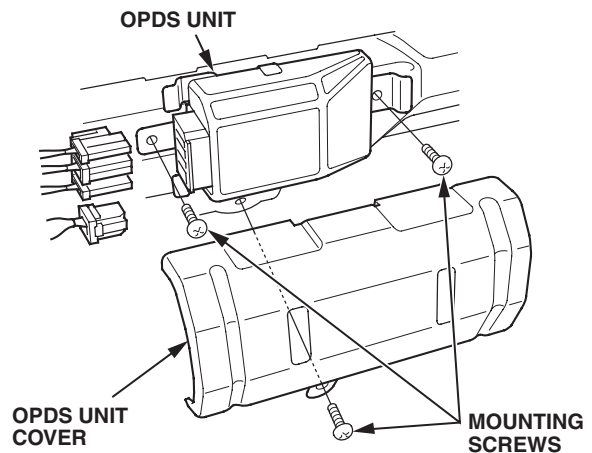
5. *Civic models:* Pull back the seat-back cover from the left side bolster to give you access to the OPDS unit cover.

6. Remove the OPDS unit cover from the seat frame (Civic: three clips: CR-V: 1 screw).

Civic Models:



CR-V Models:



7. Position the seat-back to give you access to the two OPDS unit mounting screws.
8. Remove the mounting screws from the OPDS unit, and gently pull out the unit.
9. Unplug the OPDS unit harness and sensor connectors, then remove the unit.
10. Install the new OPDS unit. Reinstall the OPDS unit cover.
11. *Civic models:* Slip the seat-back cover over the left side bolster.
12. Zip the seat-back cover closed.
13. Reconnect the negative battery cable.
14. Initialize the OPDS (see S/B 02-052, *Initializing the Occupant Position Detection System*).

15. Do the idle learn procedure:

- Make sure all electrical items (A/C, audio unit, defogger, lights, etc.) are off. Start the engine, and let it warm up to its normal operating temperature (cooling fans cycle twice).
- Let the engine idle (throttle fully closed and all electrical items off) for **10 minutes**.

16. *Civic 2-door EX and LX models up to VIN 1HGEM2...1L016502*: Do the cruise control learn procedure:

- Drive the vehicle, and set the cruise control above **40 mph**.
- Keep driving the vehicle for **5 to 10 minutes**.

NOTE:

- You can use a smog/chassis dynamometer to do this step instead of driving the vehicle. Do not do this step with the vehicle on a lift.
- Civic 2-door EX and LX models above VIN 1HGEM2...1L016502 have an updated cruise control actuator that does not require this learning procedure. The new actuator has the letters **EB** and a white dot or the letters **EC** on the barcode label.

17. *CR-V models*: Initialize the driver's window auto-up feature:

- Turn the ignition switch to ON (II).
- Make sure the driver's window is fully closed.
- Push down and hold the window switch. Make sure the window goes all the way down.
- Pull back and hold the window switch. Make sure the window goes all the way up, then hold the switch for at least **2 more seconds**.

18. Enter the anti-theft code for the radio. Enter your customer's radio station presets.

19. Set the clock.