



## Center Vents Are Hard to Adjust

### PROBLEM

The center vent adjustment tab comes off.

### CORRECTIVE ACTION

Replace the left and right center vents.

### PARTS INFORMATION

Left Center Vent: P/N 77251-S5A-A02ZA

Right Center Vent: P/N 77252-S5A-A02ZA

### WARRANTY CLAIM INFORMATION

**In warranty:** The normal warranty applies.

Operation Number: 841145

Flat Rate Time: 0.4 hour (both center vents)

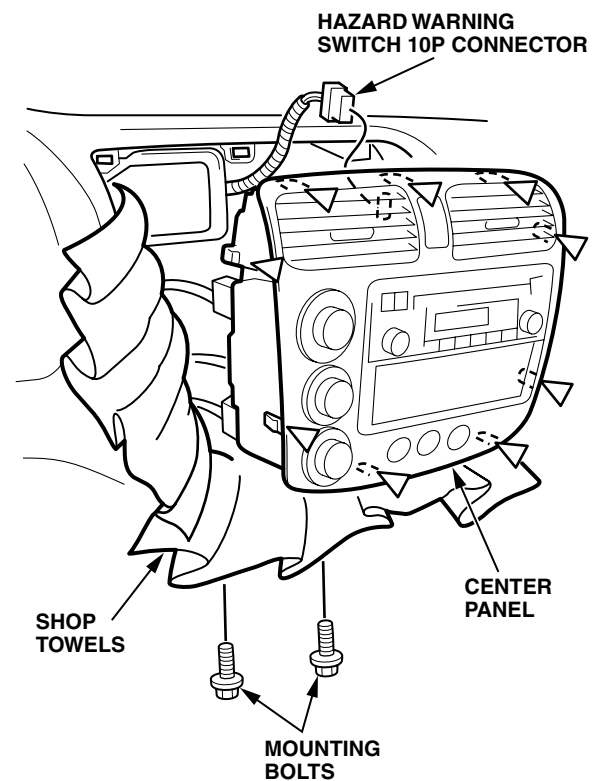
Failed Part: P/N 77251-S5A-A01ZA

Defect Code: 032

Contention Code: B01

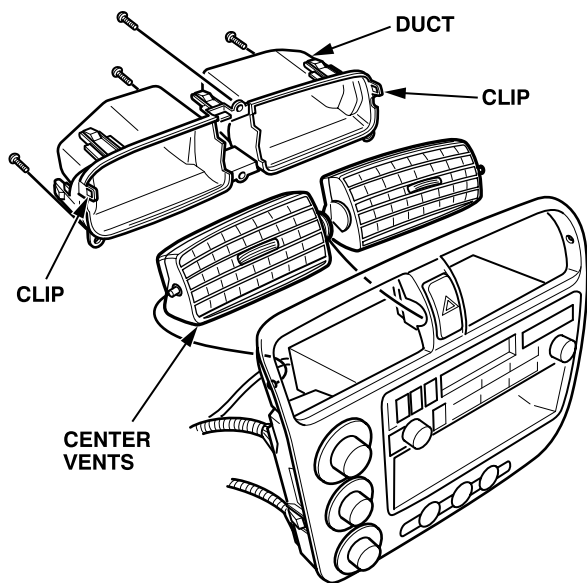
### REPAIR PROCEDURE

1. Remove the dashboard center lower cover (six clips). Unplug the accessory power socket 2P connector.
2. Remove the center panel mounting bolts. Carefully remove the center panel by releasing the bottom clips first, then releasing the clips on the sides and the top (nine clips).



3. Unplug the hazard warning switch 10P connector. While holding the center panel, pack clean shop towels into the center panel opening to keep the dashboard from getting scratched. Rest the center panel on the shop towels.

4. Remove the duct from the back of the center panel (four screws and two clips).



5. Replace the left and right center vents.
6. Reinstall the duct.
7. Make sure the antenna lead is still plugged in.
8. Remove the shop towels, then plug in the hazard warning switch 10P connector.
9. Reinstall the center panel. Torque the mounting bolts to 5 N·m (4 lb-ft).
10. Plug in the accessory power socket 2P connector. Reinstall the dashboard center lower cover.
11. Check the operation of the radio and the center vents to make sure they work properly.