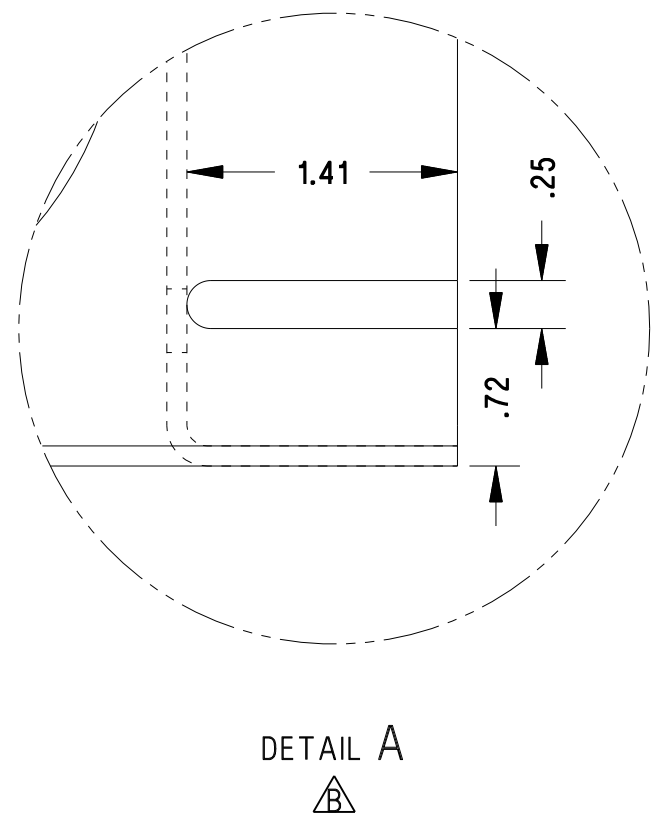
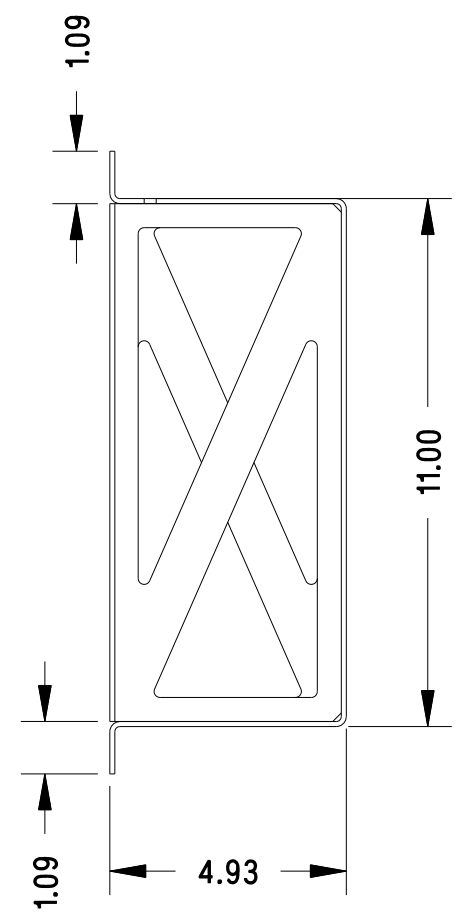
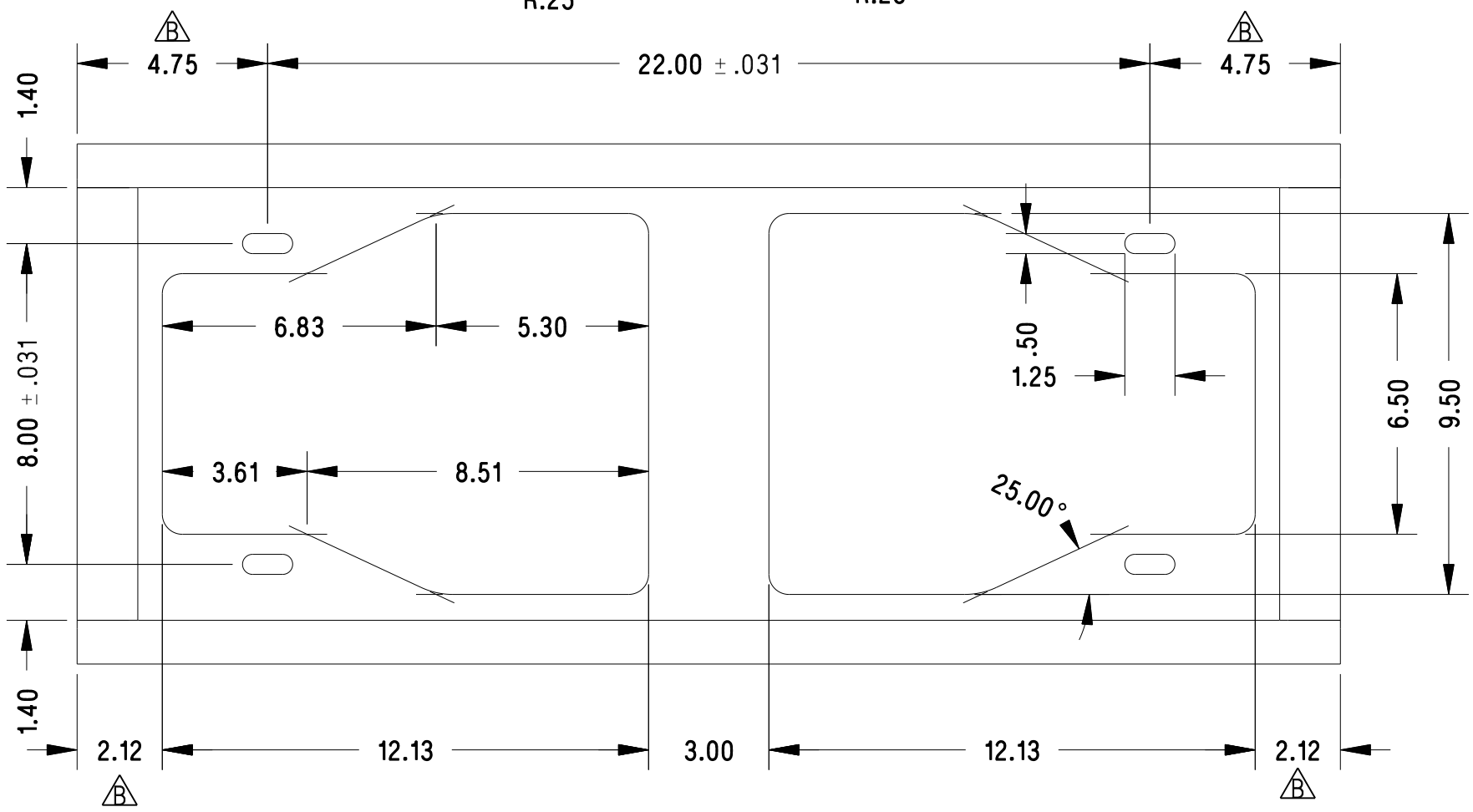
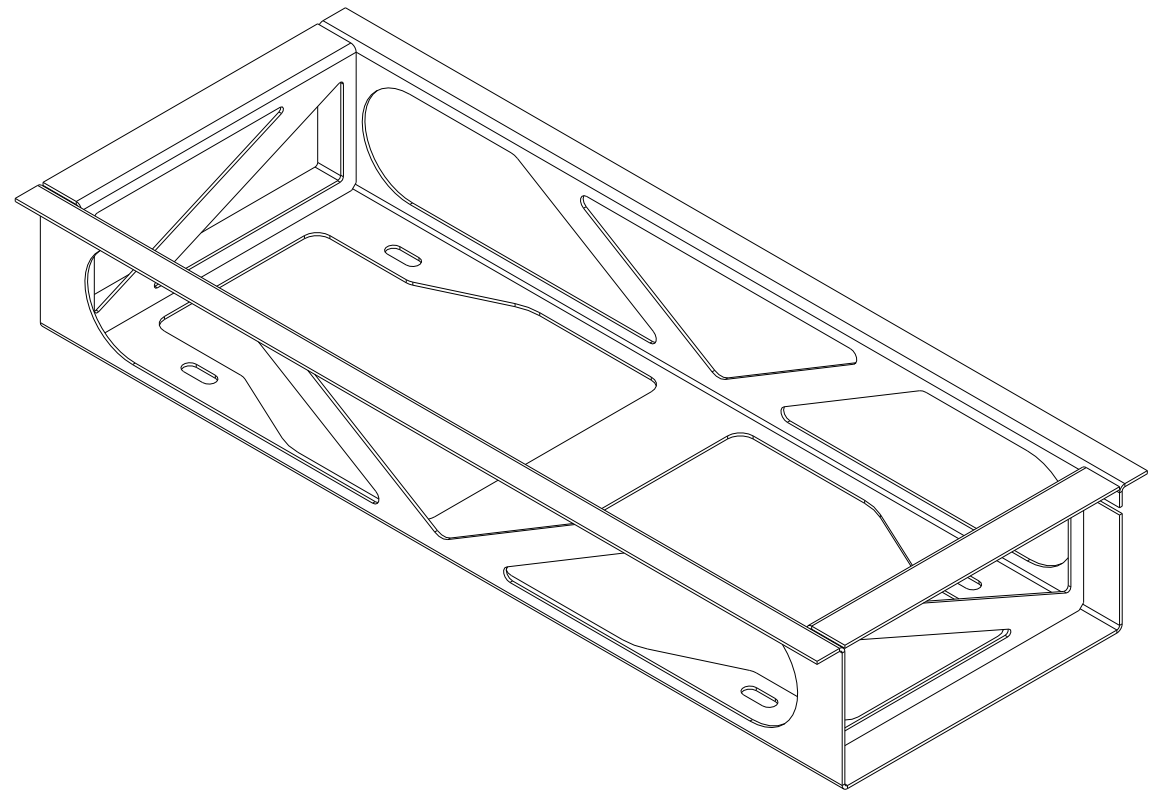
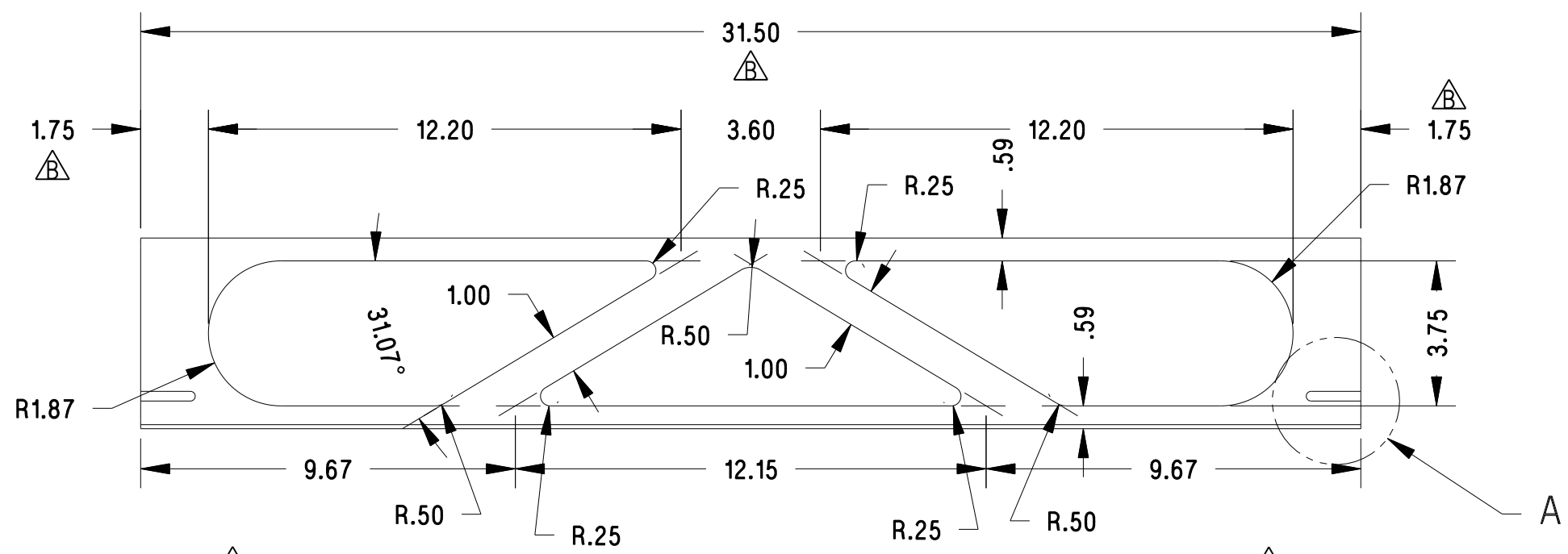
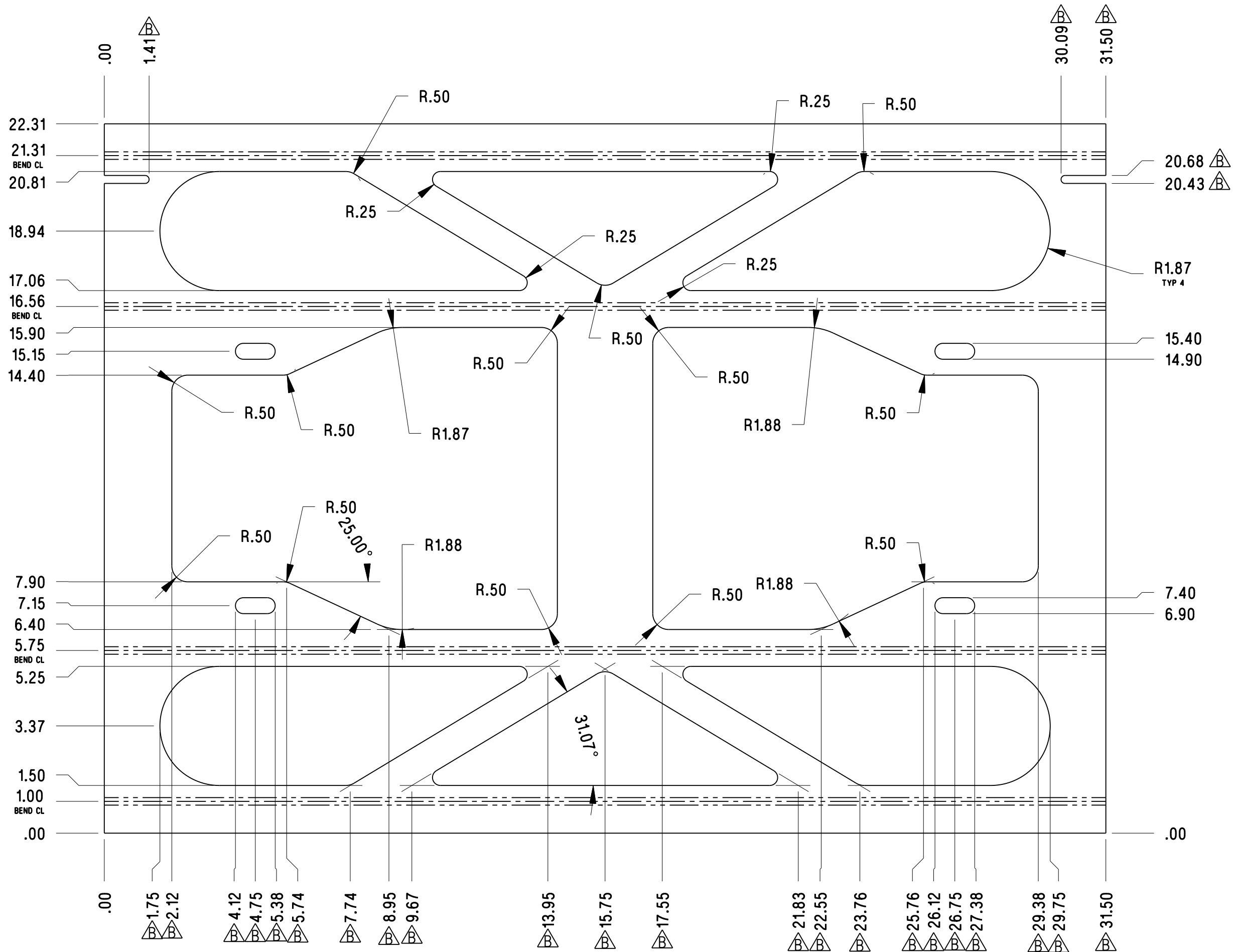


- NOTES:
 1) BREAK AND DEBURR ALL SHARP EDGES
 2) MATERIAL C1008/1010 HRS .1046 (12GA)
 3) BEND: 90° INNER RADIUS ASSUMED MATL THICKNESS
 4) UNLESS OTHERWISE SPECIFIED ALL RADIUS .50"



			THE MONACO COACH CORP. AND ALL OF ITS SUBSIDIARIES CLAIMS PROPRIETARY RIGHTS IN THE MATERIAL HEREON. NEITHER THIS DRAWING NOR ANY REPRODUCTION THEREOF MAY BE USED TO MANUFACTURE ANYTHING WITHOUT PERMISSION IN WRITING FROM MONACO COACH CORP. OR ANY OF ITS SUBSIDIARIES TO THE USER SPECIFICALLY REFERRING TO THIS DRAWING.			UNLESS SPECIFIED DIMENSIONS ARE IN INCHES .XX±1/16" .XXX±1/32" ANGLES ±.5°		TITLE: BRKT, STL, STEP, CTR, WIDE	
REV	DESCRIPTION OF CHANGE	BY	DATE	APPROVED BY:		DRAWN BY: paul.grosse	DRAWN DATE: 21-May-2008	DWG.# 22909088	REV B
B	REVISED WIDTH, ADDED SLOTS FOR INSTALLATION	PAG	05/21/08						
A	RELEASED FOR 2009 PROTOTYPE	PAG	04/08/08						



THE MONACO COACH CORP. AND ALL OF ITS SUBSIDIARIES CLAIMS PROPRIETARY RIGHTS IN THE MATERIAL HEREON. NEITHER THIS DRAWING NOR ANY REPRODUCTION THEREOF MAY BE USED TO MANUFACTURE ANYTHING WITHOUT PERMISSION IN WRITING FROM MONACO COACH CORP. OR ANY OF ITS SUBSIDIARIES TO THE USER SPECIFICALLY REFERRING TO THIS DRAWING.



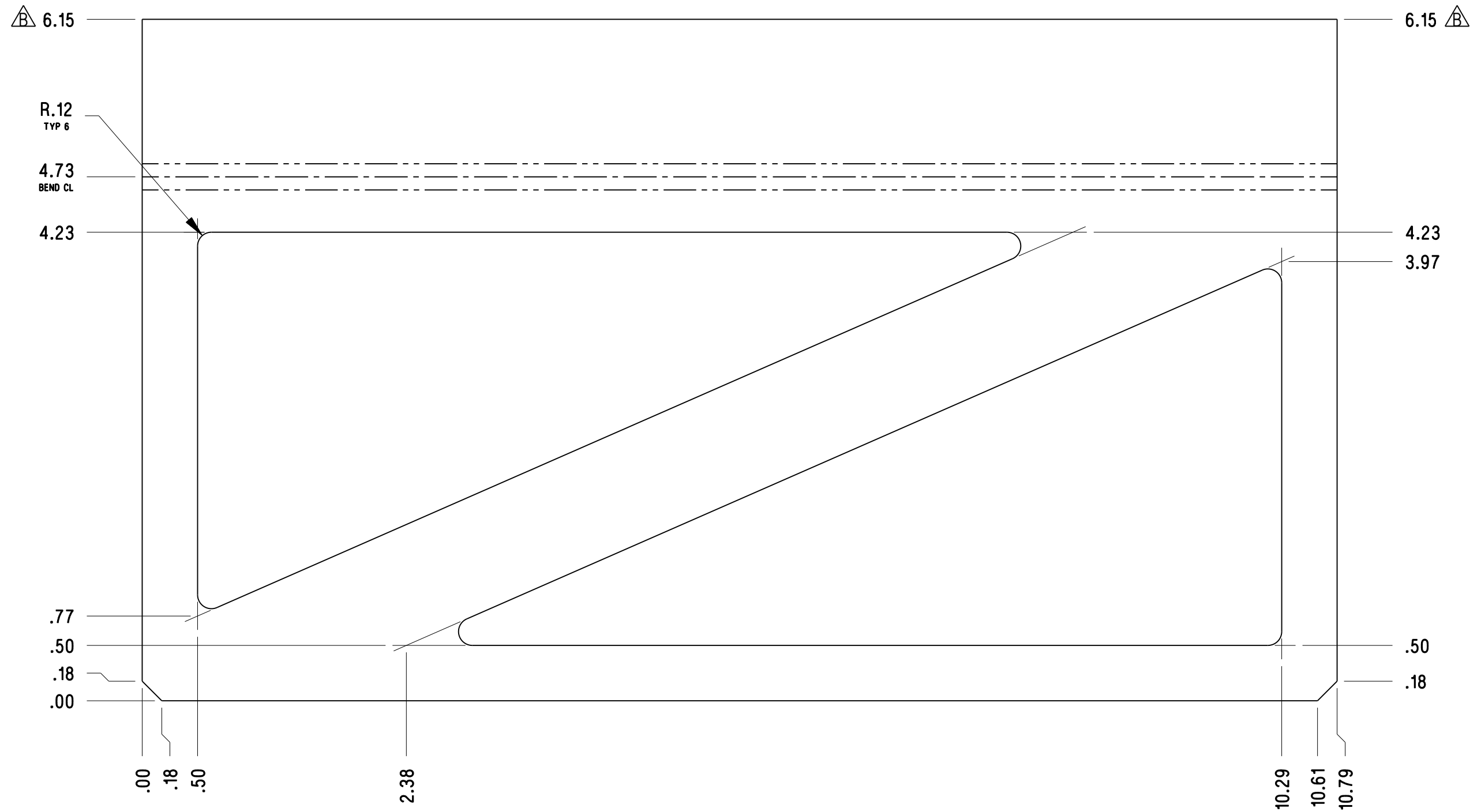
UNLESS SPECIFIED DIMENSIONS ARE IN INCHES
 .XX±1/16" .XXX±1/32" ANGLES ±.5°

DRAWN BY: paul.grosse
 DRAWN DATE: 21-May-2008

APPROVED BY:
 RELEASED DATE:

TITLE: BRKT, STL, STEP, CTR, WIDE
 DESC:
 DWG.# 22909088

REV B SHEET 2 OF 3



THE MONACO COACH CORP. AND ALL OF ITS SUBSIDIARIES CLAIMS PROPRIETARY RIGHTS IN THE MATERIAL HEREON. NEITHER THIS DRAWING NOR ANY REPRODUCTION THEREOF MAY BE USED TO MANUFACTURE ANYTHING WITHOUT PERMISSION IN WRITING FROM MONACO COACH CORP. OR ANY OF ITS SUBSIDIARIES TO THE USER SPECIFICALLY REFERRING TO THIS DRAWING.



UNLESS SPECIFIED DIMENSIONS ARE IN INCHES
 .XX±1/16" .XXX±1/32" ANGLES ± .5°

DRAWN BY: paul.grosse
 DRAWN DATE: 21-May-2008

APPROVED BY:
 RELEASED DATE:

TITLE: BRKT, STL, STEP, CTR, WIDE

DESC:
 DWG.# 22909088

REV B SHEET 3 OF 3