

Network Cabling

- Ø Straight cable is used to connect:
 - Computer with the hub or switch
 - Router to Switch
- Ø Cross over cable is used to connect:
 - Two computers directly without hub or switch
 - Connect two hubs or switches with each other.
- Ø Roll over cable is used to connect:
 - Computer with a Router's console port

Types of Ethernet Cabling

Cat 3 – used for voice cabling and 10Mb Ethernet

Cat 5 – used for 10/100Mb Ethernet and works for voice as well

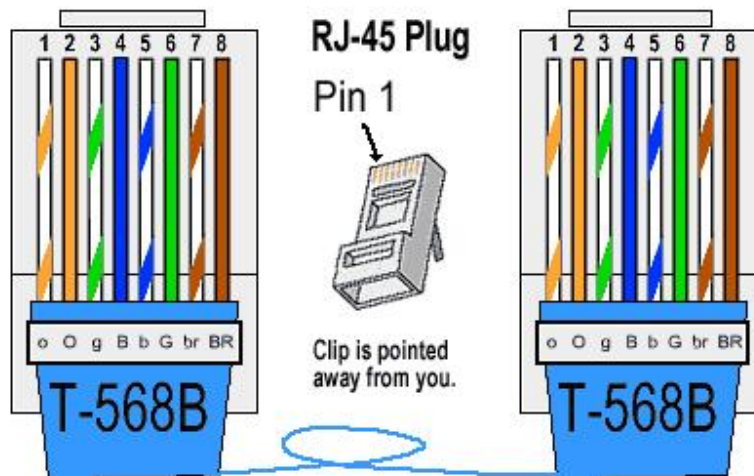
Cat 5E – Enhanced Cat 5 cabling that helps to prevent cross-talk, works for 10/100Mb and 1000Mb

Cat 6 – Like Cat 5E but with larger gauge wires, works for 10/100/1000Mb.

Following is the Configuration of Straight & Cross cables:

STRAIGHT CABLE (Both Ends)

Pair	Single
White/Orange	Orange
White/Green	Blue
White/Blue	Green
White/Brown	Brown

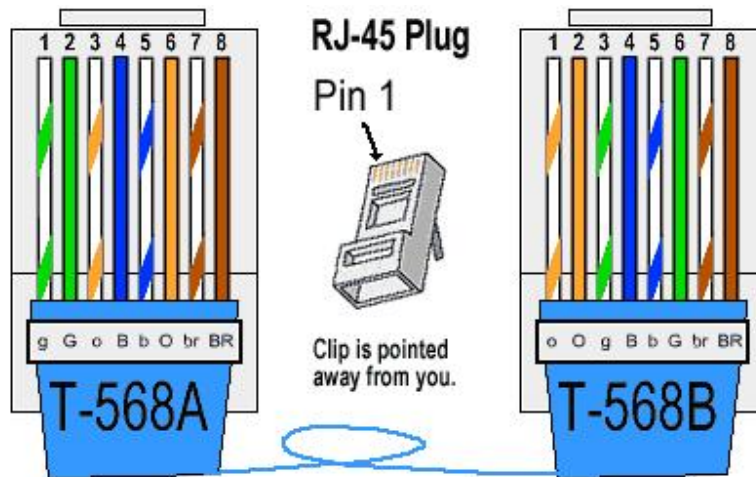


CROSS CABLE (First End)

White/Orange	Orange
White/Green	Blue
White/Blue	Green
White/Brown	Brown

CROSS CABLE (Second End)

White/Green	Green
White/Orange	Blue
White/Blue	Orange
White/Brown	Brown



Orange, Green, White for Data
Blue for Voice
Brown for earth

Fiber Optic Cable

A fiber optic cable is made up of strands of glass fibers, which allows the transmission of data at the speed of light. Fiber optic cables have large carrying capacity and provide speed in GB. The signals through the fiber optic cables are transmitted without needing to be refreshed. They have greater resistance to the electromagnetic signals, near by cables, motors, and noise.