

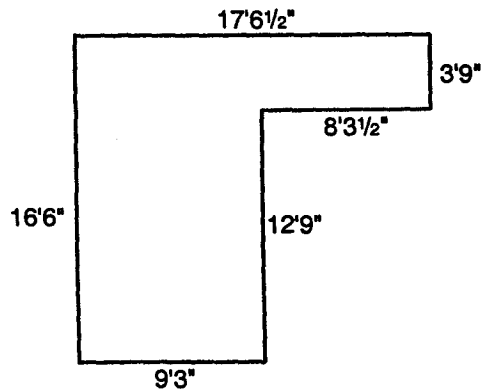
Name \_\_\_\_\_

Date \_\_\_\_\_

## Selling Carpet

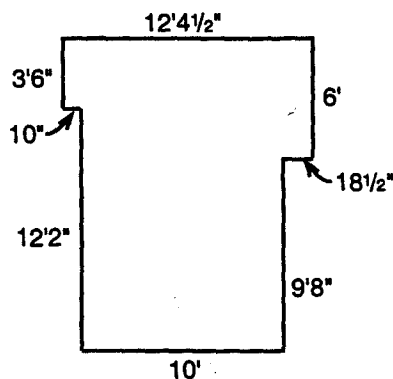
1. The Woodhouse family is installing a playroom in their basement. They like the Berber carpet that is on sale for \$12.99 a square yard. What price should be charged assuming the following floor plan is accurate?

Total cost: \_\_\_\_\_



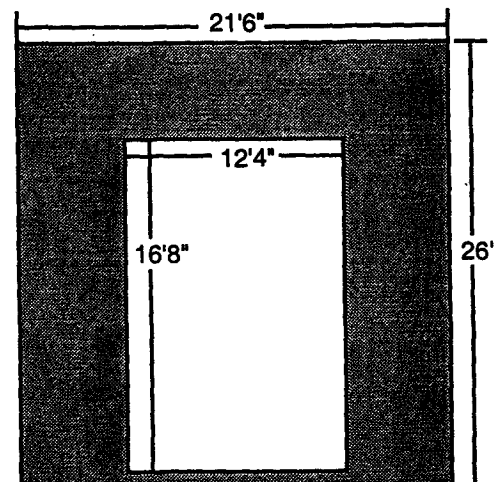
2. The Khin family is carpeting their living room. They have chosen a deep-pile carpet that sells for \$24.95 a square yard. How much should they be charged based on the following floor plan?

Total cost: \_\_\_\_\_



3. The Trafton family wants to install outdoor carpeting around their in-ground pool. The outdoor carpeting they have selected is \$8.99 a square yard. How much should they be charged based on the following plan of the pool area?

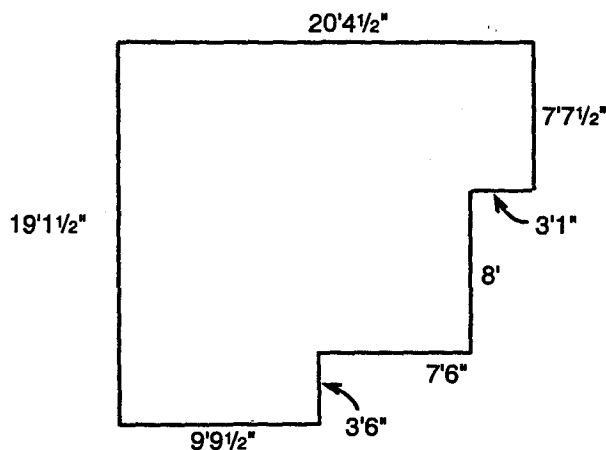
Total cost: \_\_\_\_\_



## 2. Selling Carpet *(continued)*

4. The Borduas family is carpeting their dining room. They have chosen a low-pile carpet that sells for \$18.75 a square yard. How much should they be charged based on the following floor plan?

Total cost: \_\_\_\_\_



5. The Spirer family is carpeting their bedrooms. They have chosen a soft carpet that sells for \$18.15 a square yard. How much should they be charged based on the following floor plans?

Total cost: \_\_\_\_\_

