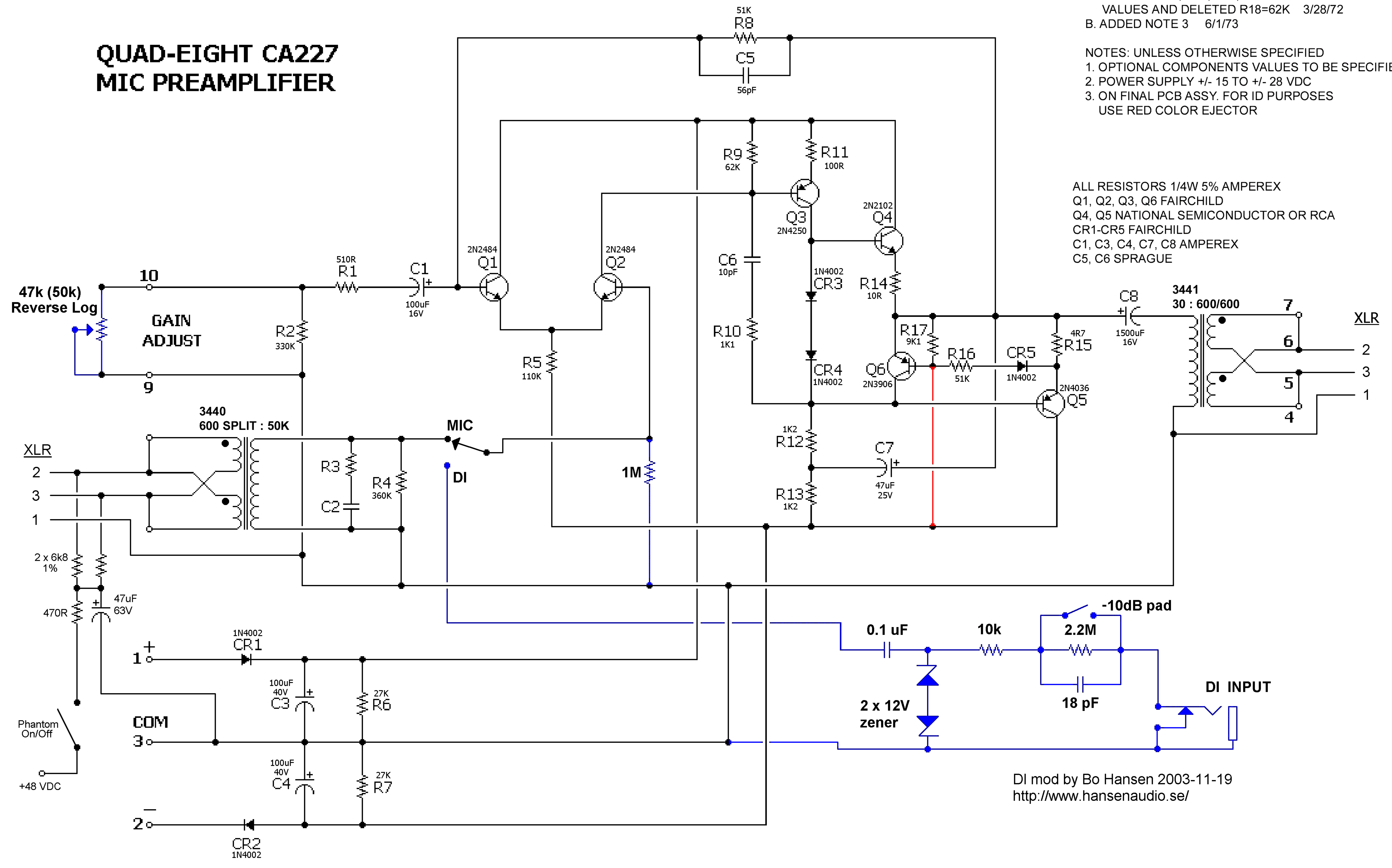


REVISIONS:  
A. CHANGED R2, R15, R16, & R17  
VALUES AND DELETED R18=62K 3/28/72  
B. ADDED NOTE 3 6/1/73

NOTES: UNLESS OTHERWISE SPECIFIED  
1. OPTIONAL COMPONENTS VALUES TO BE SPECIFIED  
2. POWER SUPPLY +/- 15 TO +/- 28 VDC  
3. ON FINAL PCB ASSY. FOR ID PURPOSES  
USE RED COLOR EJECTOR

# QUAD-EIGHT CA227 MIC PREAMPLIFIER

ALL RESISTORS 1/4W 5% AMPEREX  
Q1, Q2, Q3, Q6 FAIRCHILD  
Q4, Q5 NATIONAL SEMICONDUCTOR OR RCA  
CR1-CR5 FAIRCHILD  
C1, C3, C4, C7, C8 AMPEREX  
C5, C6 SPRAGUE



DI mod by Bo Hansen 2003-11-19  
<http://www.hansenaudio.se/>