

CPSULA HOBBIES

INSTRUCTION SHEET FOR LHO. GUARD VAN. FITTED WITH RAN BOGIES

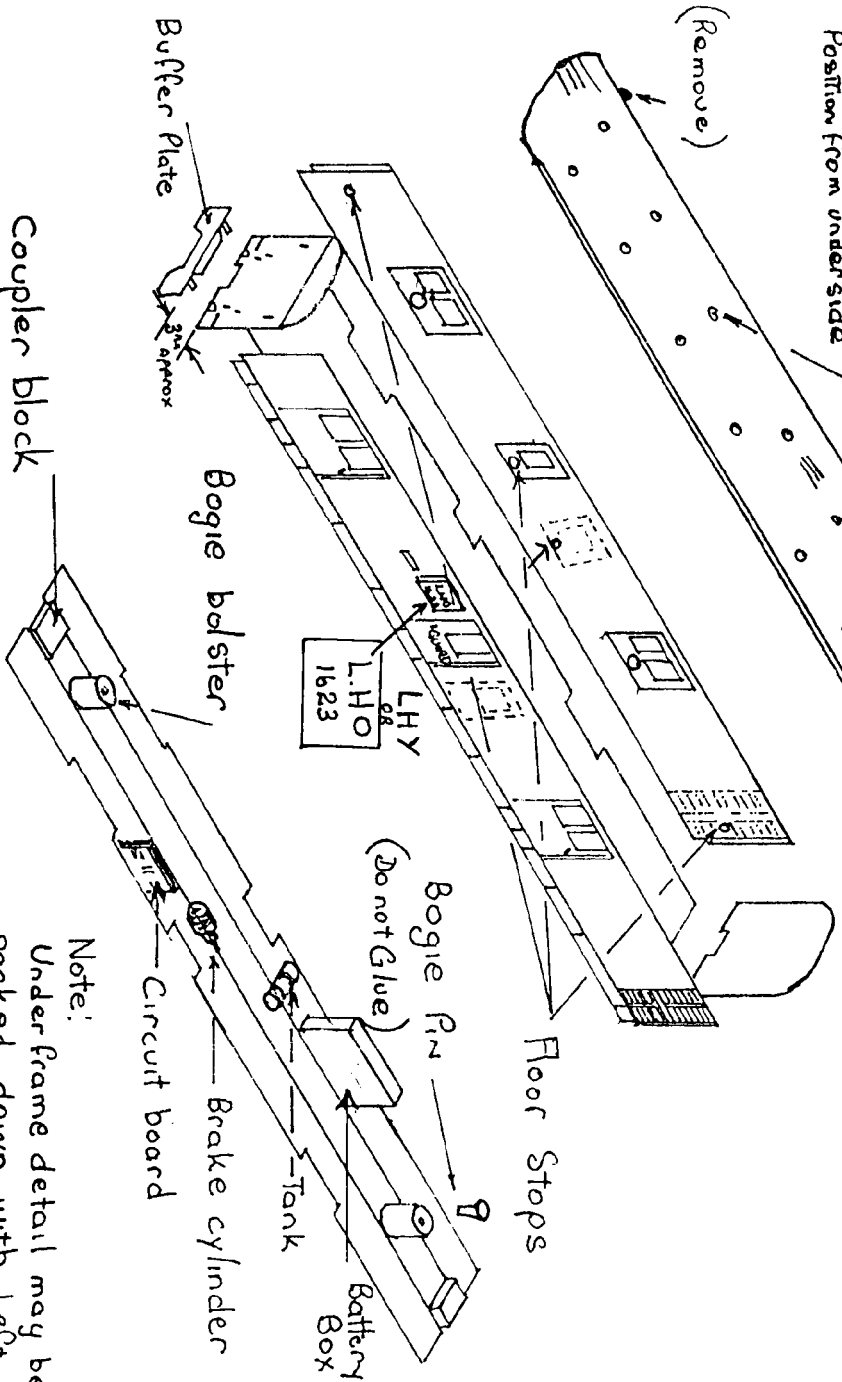
CAN BE CODED **LHY** FITTED WITH 2 CM BOGIES
NOTE! BOGIES AND WHEELS NOT INCLUDED

14 ROOF VENT HOLES
 USE 1" OR 1.2" N°60 DRILL

Place vents into holes and glue into position from underside

(Remove)

Place sides & ends on a flat surface, then glue all together
 Place floor in & ensure it is pushed up to the floor stops then glue when sides & floor are square



Coupler block for N°5 Kadee

Note!
 Under frame detail may be packed down with left over window panel

Painting Note:

- (1) Do not glue roof or window's until after Painting
- (2) Buffer plate may be raised to suit alternate Couplers

Colour:

Roof Silver or black
 Body Tuscan Red
 Underframe Black
 Can also be Painted Candy Colour

Decal

N° 1613 - 1619 inc
 1621 - 1625 inc
 1615 coupled to Brisbane express
 yellow lined above & below window.

1. Remove excess flashing
- 2 Dry fit sides & ends
- 3 Invent roof & drill vent holes
- 4 Place vents in from top & glue from underside only
- 5 Place side & ends on a flat surface & glue together (hover vents to one end)
- 6 Glue floor into position, ensure floor touches round stops on each side
- 7 Cut window styrene to suit and glue with (H.E.K)
- 8 Under carriage detail and buffer plate to be glued as shown
- 9 23.8" wheels into bogies and pin bogie to bolster
- 10 N° 5 Kadee may be glued or screwed