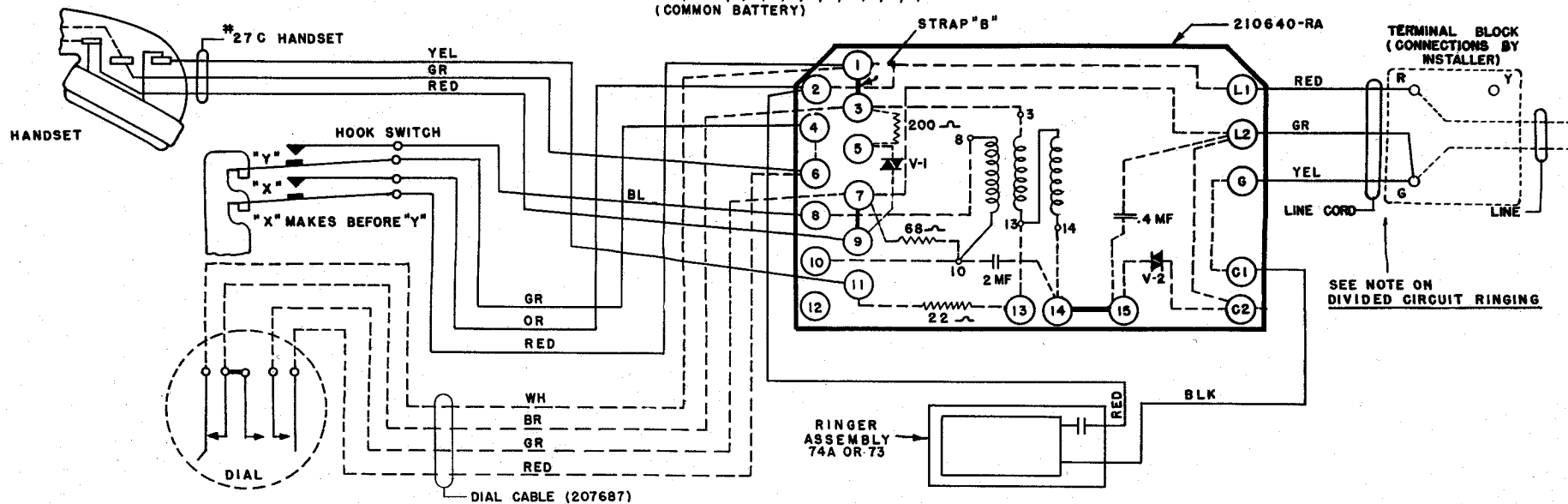


STROMBERG-CARLSON CO. WIRING AND CONNECTIONS FOR BRIDGED RINGING FOR 1543W TELEPHONES

RINGER CODES 74A, 73E, F, G, H, N, K, L, M, P, R, I, J & Q
(COMMON BATTERY)



DIVIDED CIRCUIT RINGING

PARTY	CONNECTIONS AT TERMINAL BLOCK			LINE		
	RED	GR	YEL	RING	TIP	GRD
RING	R	G	Y	R	G	Y
TIP	G	R	Y	R	G	Y

TAPPING OF GONGS

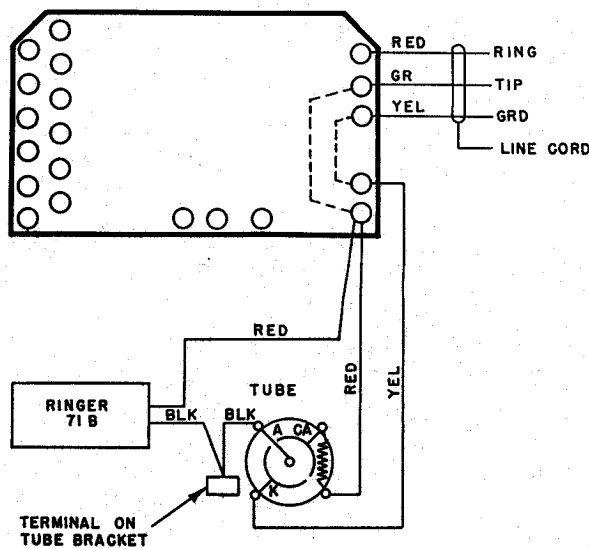
IN BRIDGED RINGING WHERE IT IS NECESSARY TO PREVENT TAPPING OF GONGS ON BIASED RINGERS WHILE DIALING, POSITIVE BATTERY SHOULD BE CONNECTED TO L-2 AND THE BIAS SPRING TENSION ADJUSTED AS REQUIRED.

MANUAL TO DIAL CONVERSION

REMOVE STRAP "B" AND WIRE DIAL CABLE AS SHOWN BY DOTTED LINES FOR STANDARD AND SPOTTER DIALS. FOR SPOTTER DIALS ALSO USE STRAP 212048 CONNECTING SPOTTER CONTACT ON DIAL TO C1.

DIVIDED RINGING, PLUS AND MINUS RINGER SELECTION USING 372A, 333A OR 426A TUBES

CONNECTIONS FOR + TIP STATION. FOR + RING STATION CONNECT TUBE AND RINGER LEADS AS SHOWN BUT CONNECT RING OF LINE TO L-2 AND TIP OF LINE TO L-1.



CONNECTIONS FOR - TIP STATION. FOR - RING STATION CONNECT TUBE AND RINGER LEADS AS SHOWN BUT CONNECT RING OF LINE TO L-2 AND TIP OF LINE TO L-1.

