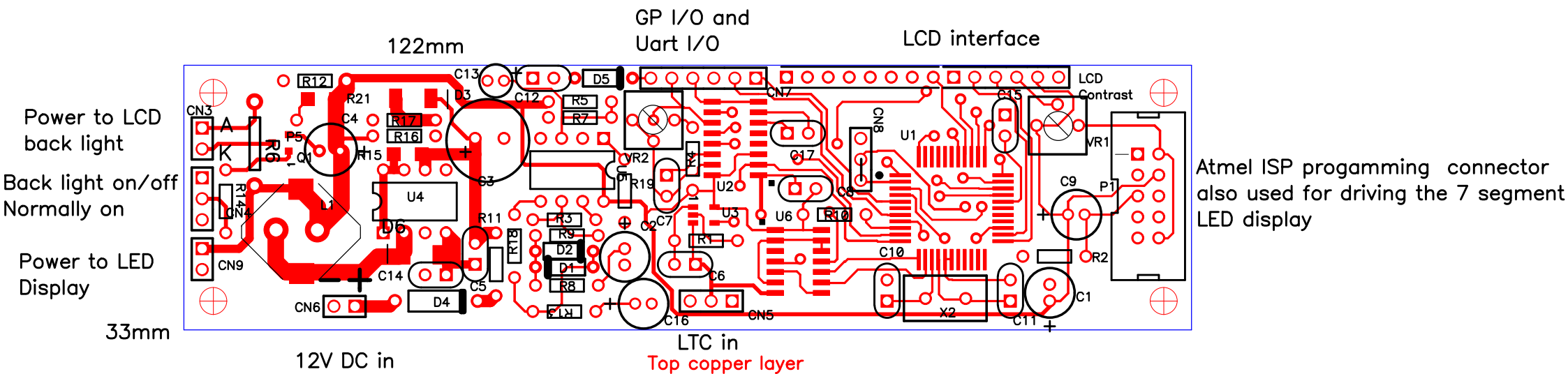
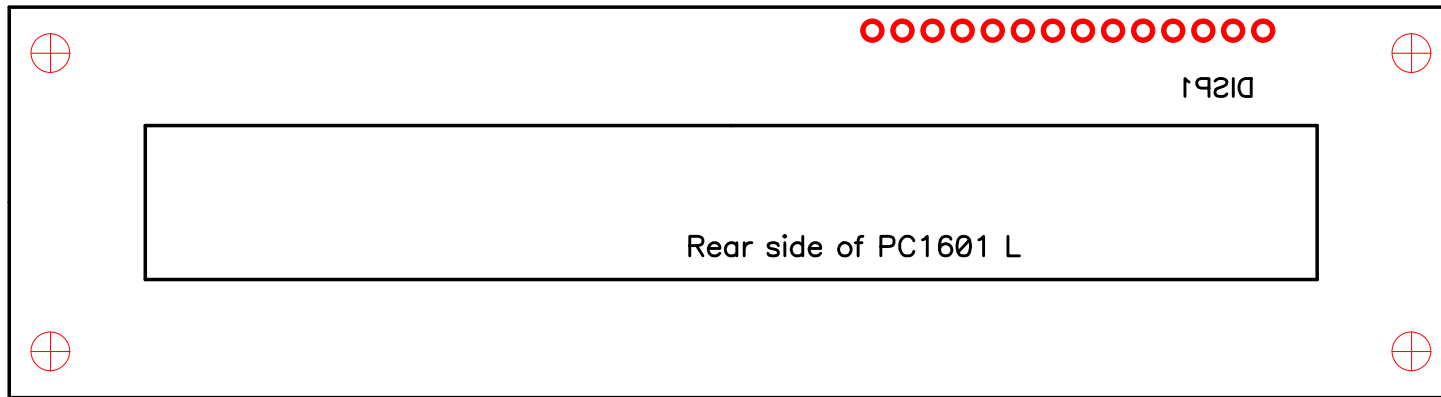


Martin's Time Code Reader

The display mounts behind the circuit board



The 4 fixing holes will match a PowerTip PC1601L display