

1.5 Specification

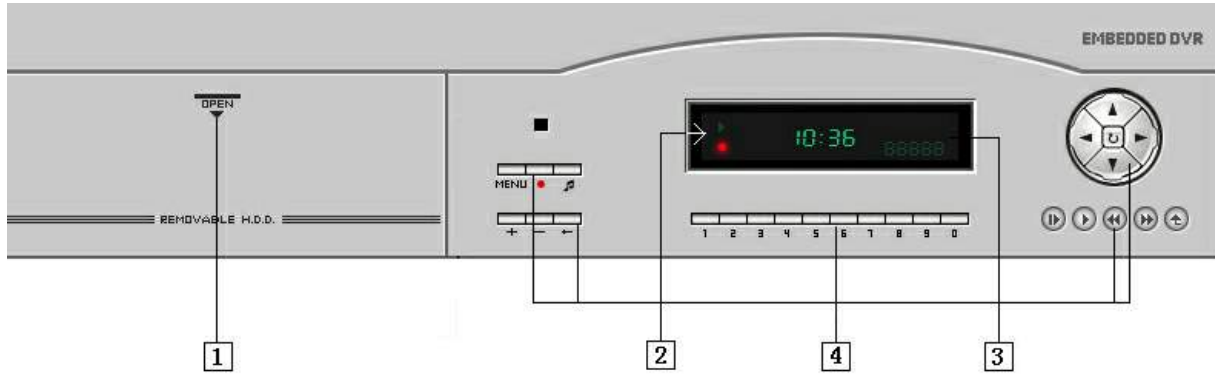
Note: We will not make another notice if specification and appearances are changed future.

TM830XV (4CH STAND-ALONE DVR)	
Operation system	RTOS (pSOS)
Operation GUI	OSD Menu
Multitask	Triplex (Simultaneously Record, playback and transfer)
Power supply	Standard ATX power(AC:220V±10%, 50±1%Hz) optional (AC: 110V±10%, 60Hz±1% Hz)
Work temperature	0-55°C
Work humidity	< 80%RH
Power consumption	50W (HDD excluded)
Case Dimension	435(L)*91(W)*490(D) MM
Packing size	560(L)*205(W)*610(D) MM
Packing Weight	12.3KG(HDD excluded)
Video	Compression format: H.264 (MPEG4 PART 10) Display frame speed: 100F/S (PAL) 120F/S (NTSC) Record frame speed: 100F/S (PAL) 120F/S (NTSC) (adjustable) Display resolution: 704×576(PAL),704x480(NTSC),320—550TVLine Record resolution: 352×288(PAL), 352x480(NTSC),220—330TVLine Input interface:4CH BNC Vp-p=1.0V/75Ω Output interface: 1CH Analog RGB, 1CH VGA Output bit rate:32kbps — 1152kbps/ch
Audio	Compression format: G.722 Input interface: 4CH RCA Output interface: 1CH RCA Output bit rate: 8Kbps
Alarm	4CH input / 2CHch output
Search mode	Motion detection, manual, time, sensor
Backup	Removable HDD, Build-in IDE interface, USB port, Client software
Serial Port	RS485 to connect P/T/Z Controller
Network interface	RJ-45, 10M/100M Ethernet interface, support TCP/IP,MULTICAST
HDD interface	IDE interface, support max 4 HDD
Network transmission	PSTN, ISDN, ADSL, LAN, MAN, WAN
Clock	Built-in CMOS Clock, perpetual calendar

Chapter II System Appearance and Installation

2.1 System Appearance and Control Buttons

2.1.1 Front Panel



- ① **Moveable HDD Cover:** Installing the movable HDD shelf
- ② **Receiving sensor of remote controller:** Receiving the signals of controller
- ③ **VFD Window:** Displaying the information of date, time, status, etc
Description :
 - Power indication: lighting when powering
 - ♪ Snoop indication: lighting when snooping
 - 🔒 Locking indication: lighting when locked
 - 🖥️ Network Indication: Flashing when networking
 - 🕒 VFD Dynamic Display: lighting when VFD display the time; off

when displaying the device number

MPEG4 DVR Light when powered

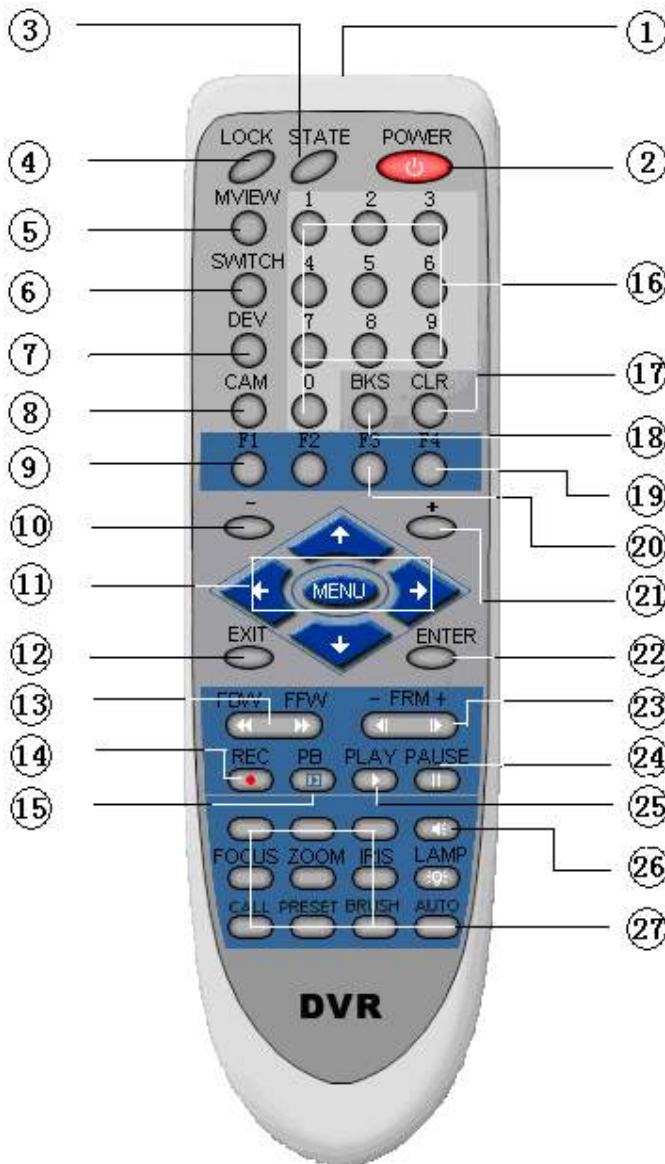


Display the channel quantity supported, if supporting 8 channels, 1~8 indication lamps lighting; if one channel under the recording status, indication lamp flashing

- ④ **Button :**
 - 【MENU】** : On or off the menu
 - 【●】** : Startup the manual record
 - 【♪】** : Real time sound monitoring switch
 - 【←】** : Deleting the setup number and clearing the alarm
 - 【+ -】** : Modifying the value or selection when setting
 - 【|▶】** : Single frame forwarding when playback
 - 【▶▶】** : Play/Slow-play (Click it again)
 - 【◀◀】** : Fast Reverse
 - 【▶▶】** : Fast Forward
 - 【← ↑ → ↓】** : Cursor for the selection in menu
 - 【1 - 8】** : Number buttons
 - 【0】** : Also as the conversion button among the image-previewing mode
 - 【9】** : Also as the switching button on the images
 - 【⏏】** : Exit
 - 【↵】** : Enter; Also as the power button after 3 seconds or above



pressing

2.1.2 Remote Controller



- 1、 Controller signal emission
- 2、 Power
- 3、 State
- 4、 Lock
- 5、 Preview
- 6、 Switch
- 7、 For future use
- 8、 For future use
- 9、 For future use
- 10、 21、 Value increase or decline
- 11、 Cursor and direction control
- 12、 Exit
- 13、 Fast forward/fast reverse
- 14、 Manual Recording
- 15、 Record playback
- 16、 Number key
- 17、 Clear the alarm
- 18、 Backspace
- 19、 lock the controller
- 20、 Respond to controller
- 22、 Enter
- 23、 Single Frame play
- 24、 Pause
- 25、 Play/Slow-play (pressing again)
- 26、 Sound on/off
- 27、 Controller of P/T/Z and dome

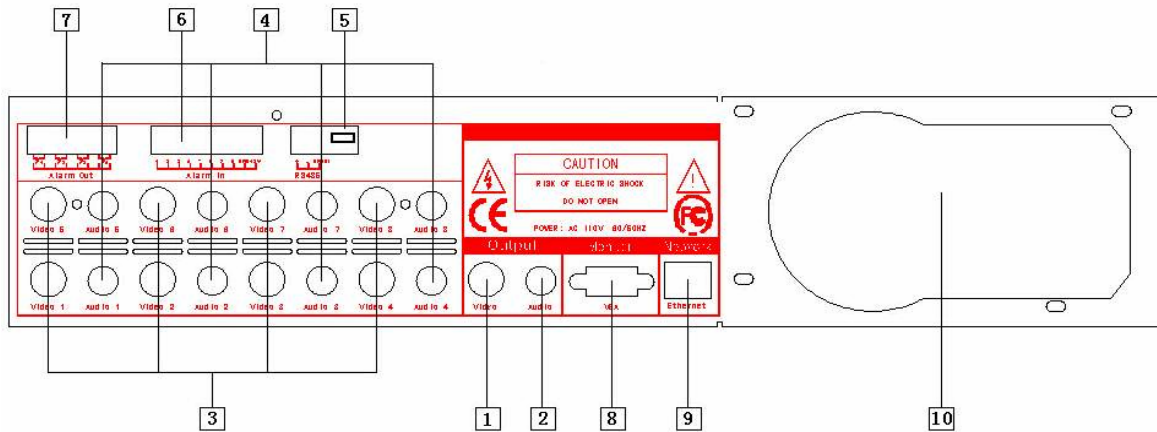
Note:

- ★ Having special device No setup in case this remote controller signal operating is received by other machine;
- ★ Able to hold 100 pcs host machine range from No.1~99. It is “00” original by factory setup. Each machine No is displayed dynamically with system time together and you can also find **Setup** > **Other setup**, details as 3.7.6 Other setup;
- ★ Begin/stop respond to the controller: Press “**[F4]**(N)(N)” (N=0~9), (NN as main machine device No),  appear on the VFD window on the front panel, then the host machine will stop responding to the remote controller operating; Press “**[F3]**(N)(N)” (N=0~9)  in the VFD disappeared, corresponding host machine begin to respond to the remote controller operating; pressing “**[F4][0][0]**” all host machines will stop responding to controller, pressing “**[F3][0][0]**” all host machines will begin responding to the remote controller operation. When powering on, it will respond to the remote controller operating defaulted

Cursor and Digital Input Shortcut:

- ★ Cursor reversal function: Cursor will appear on the opposite with improving efficiency when you move the cursor to the top of menu;
- ★ Deleting the character automatically: Input directly the character to delete the last ones and display the character you input;
- ★ Turning the page function: You can press the button (+, -) to turn the pages conveniently so that you can save the time when operating the complex selection like play, daily log searching, etc.

2.1.3 Back Panel



- ① Video Output Port
- ② Audio Output Port
- ③ Video Input Port
- ④ Audio Input Port
- ⑤ USB and 485 Communication Port
- ⑥ Alarming Input and DC12V Output Port
- ⑦ Alarm Output Port
- ⑧ VGA Output Port: Connecting with computer monitor
- ⑨ Ethernet Port & Indication lamp
- ⑩ Power Input: AC 220V 50HZ

