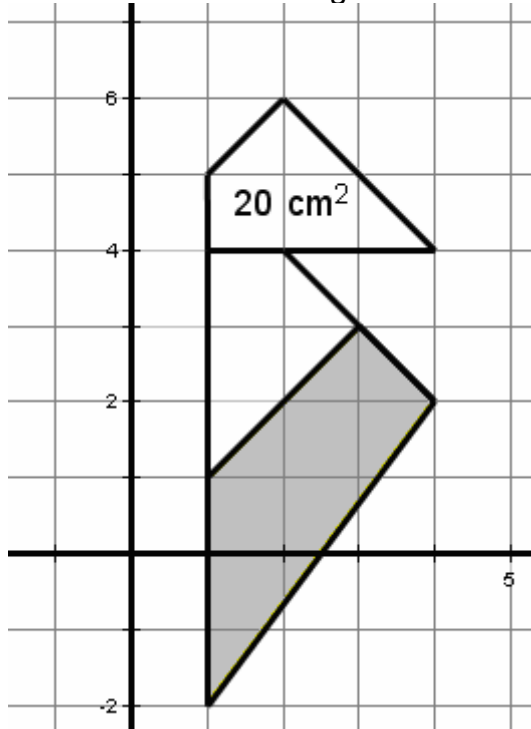


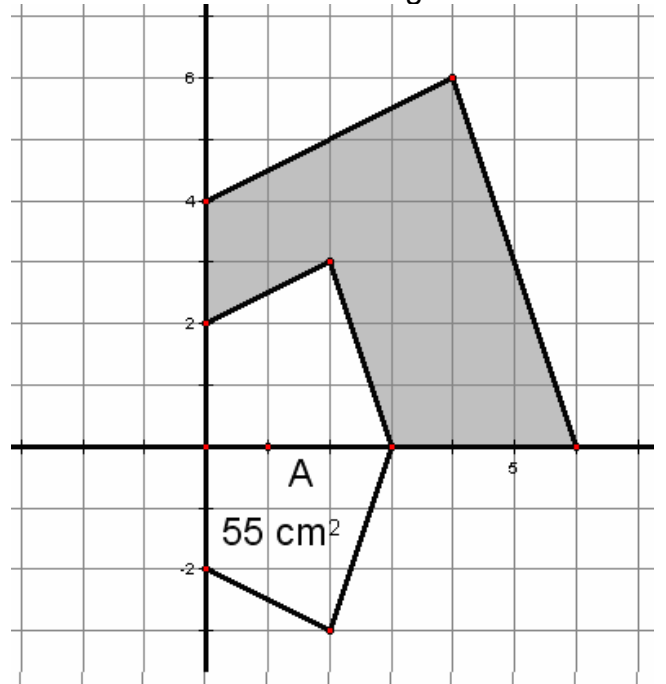
MODULE MATHEMATICS
TRANSFORMATION ~ Part C

1. Find the area of shaded region.



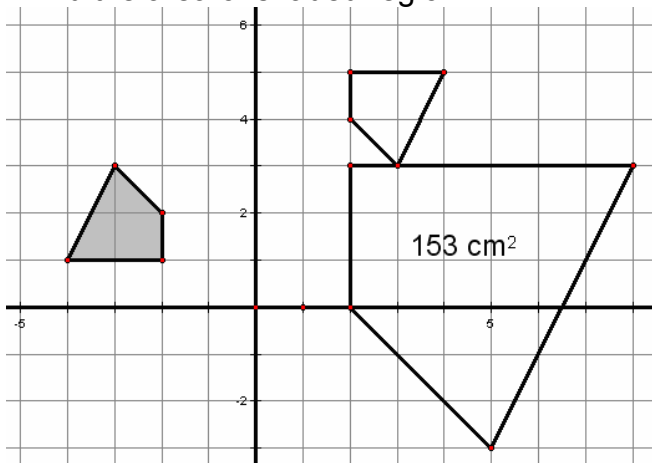
Answer:

2. Find the area of shaded region.



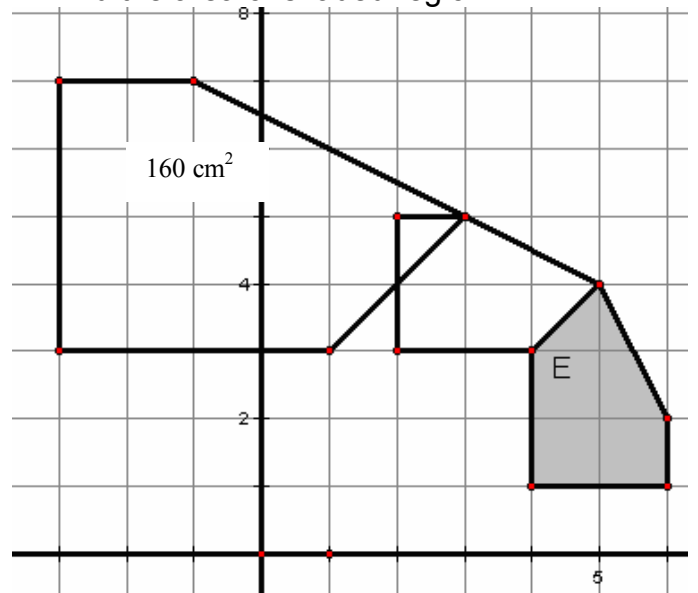
Answer:

3. Find the area of shaded region.



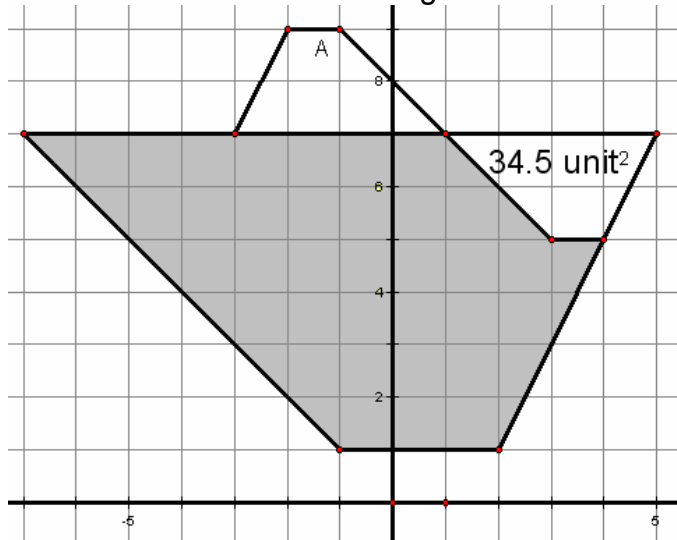
Answer:

4. Find the area of shaded region.



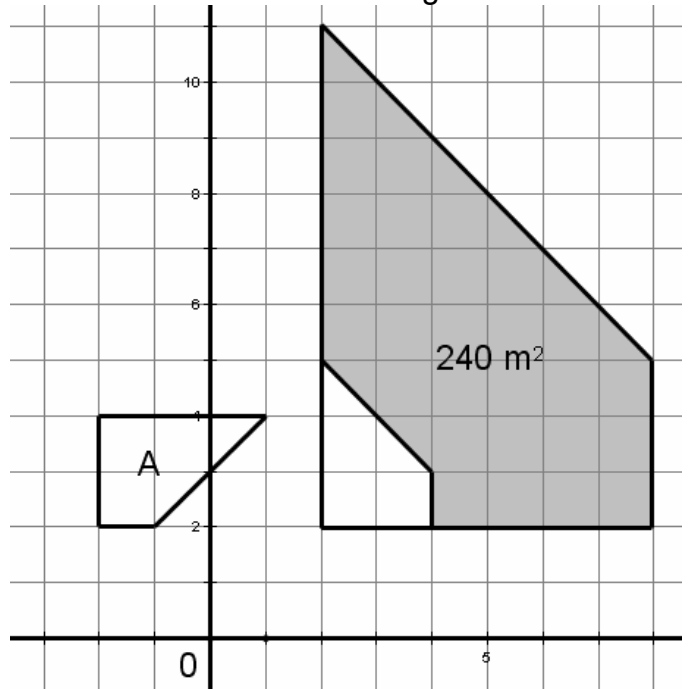
Answer:

5. Find the area of shaded region.



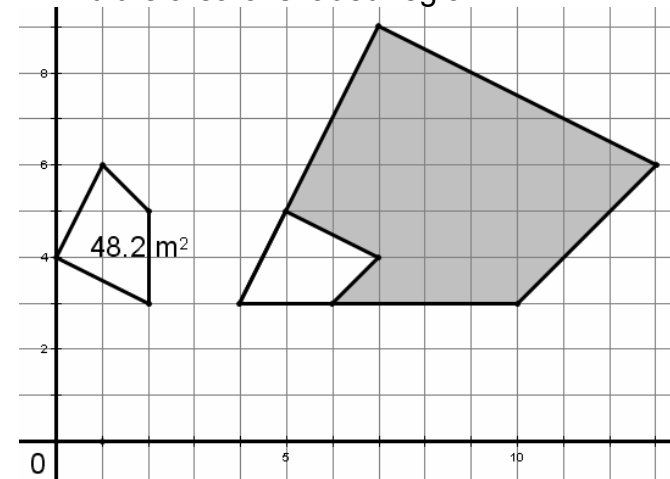
Answer:

6. Find the area of shaded region.



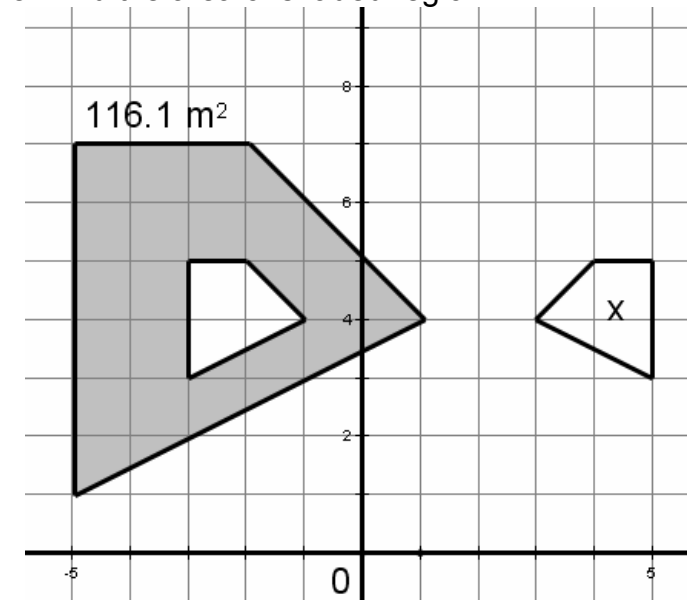
Answer:

7. Find the area of shaded region.



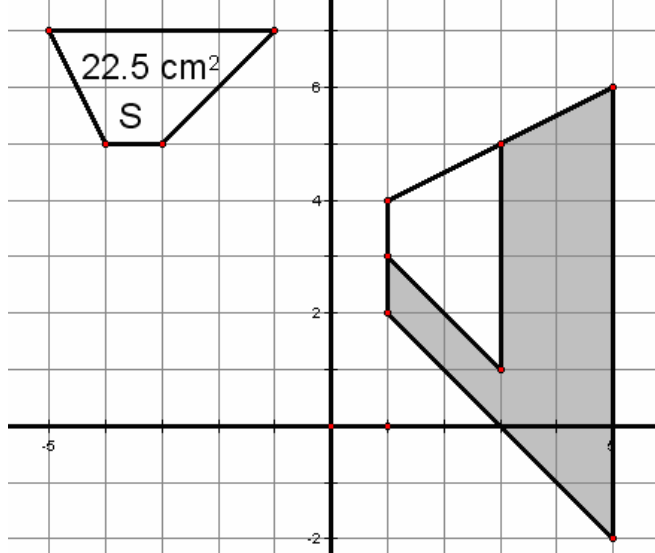
Answer:

8. Find the area of shaded region.



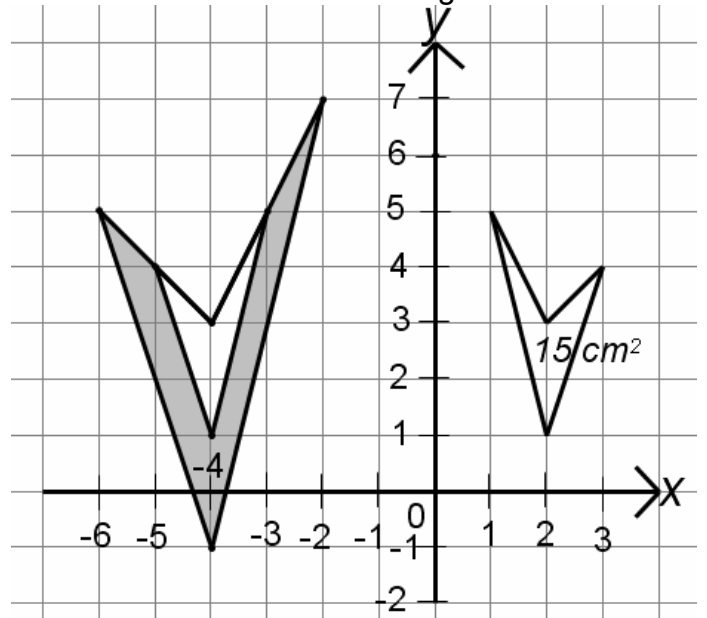
Answer:

9. Find the area of shaded region.



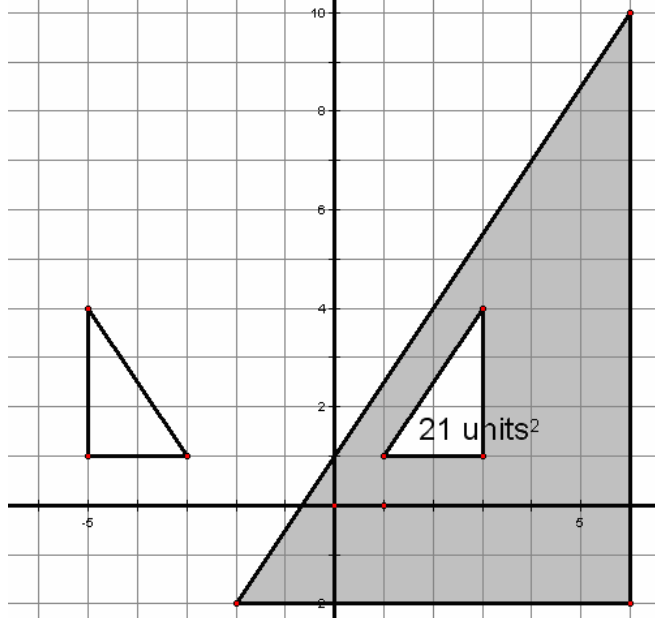
Answer:

10. Find the area of shaded region.



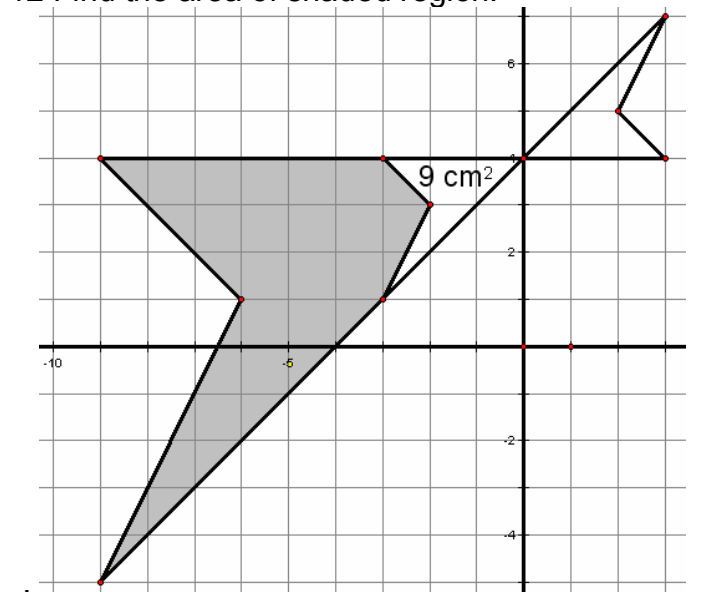
Answer:

11. Find the area of shaded region.



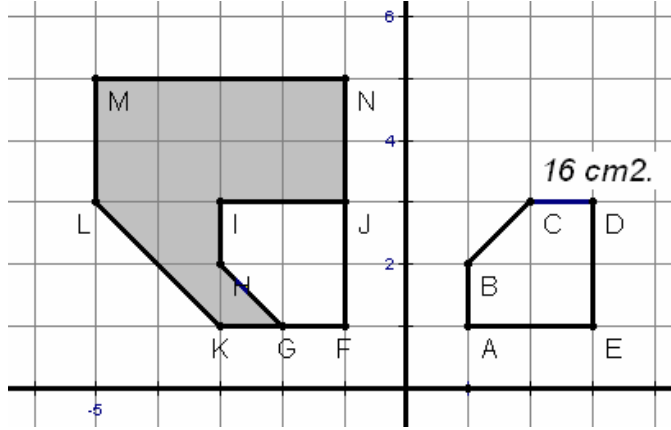
Answer:

12 Find the area of shaded region.



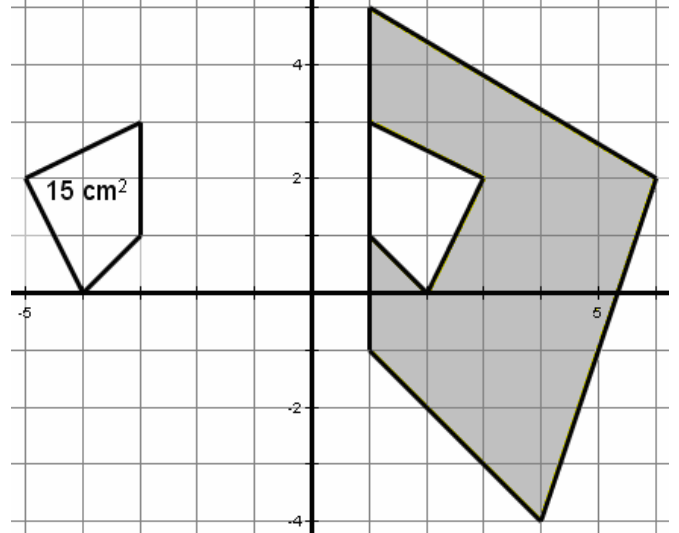
Answer:

13. Find the area of shaded region.



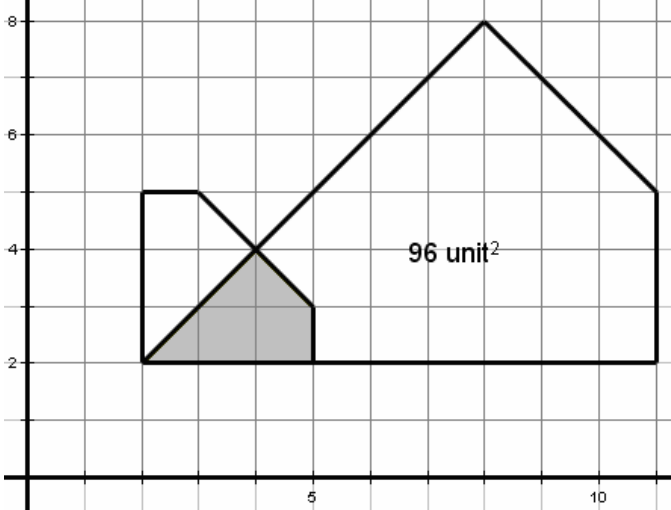
Answer

14. Find the area of shaded region.



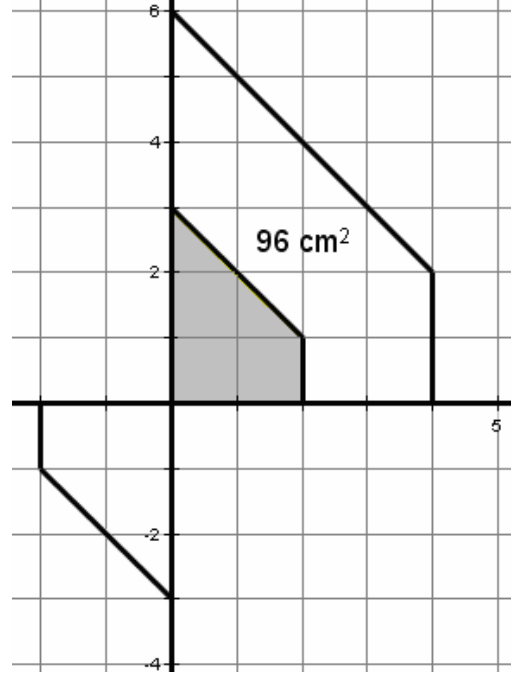
Answer:

15. Find the area of shaded region.



Answer:

16. Find the area of shaded region.



Answer: