



KIA SERVICE INFORMATION SYSTEM



[Edit Accc](#)

[KSIS HOME](#)

Service Manual & Wiring Diagrams

[Home](#) > [Service Manual & Wiring Diagrams](#) > [2000](#) > [Sportage](#) > [Service Manual](#) > [2.0 DOHC ENGINE \(including DTC\)](#) > [Engine Mec System](#) > [Timing System](#) > [Timing Belt](#) > [Components](#) > **EXPLODED VEIW**

SEARCH TOOLS

Keyword Search

[Search Tips](#)
[Advanced Search](#)

Select a Data Type:

- J-1979 Mode 6 Information
- KSIS FAQs
- Service Manual & Wiring Diagrams
- Technical Service Bulletins
- Tools & Equipment

Downloads

- Technical Training
- System requirements
- Links

[KSIS Tutorial](#)
[KSIS User Guide](#)

NEWS CENTER

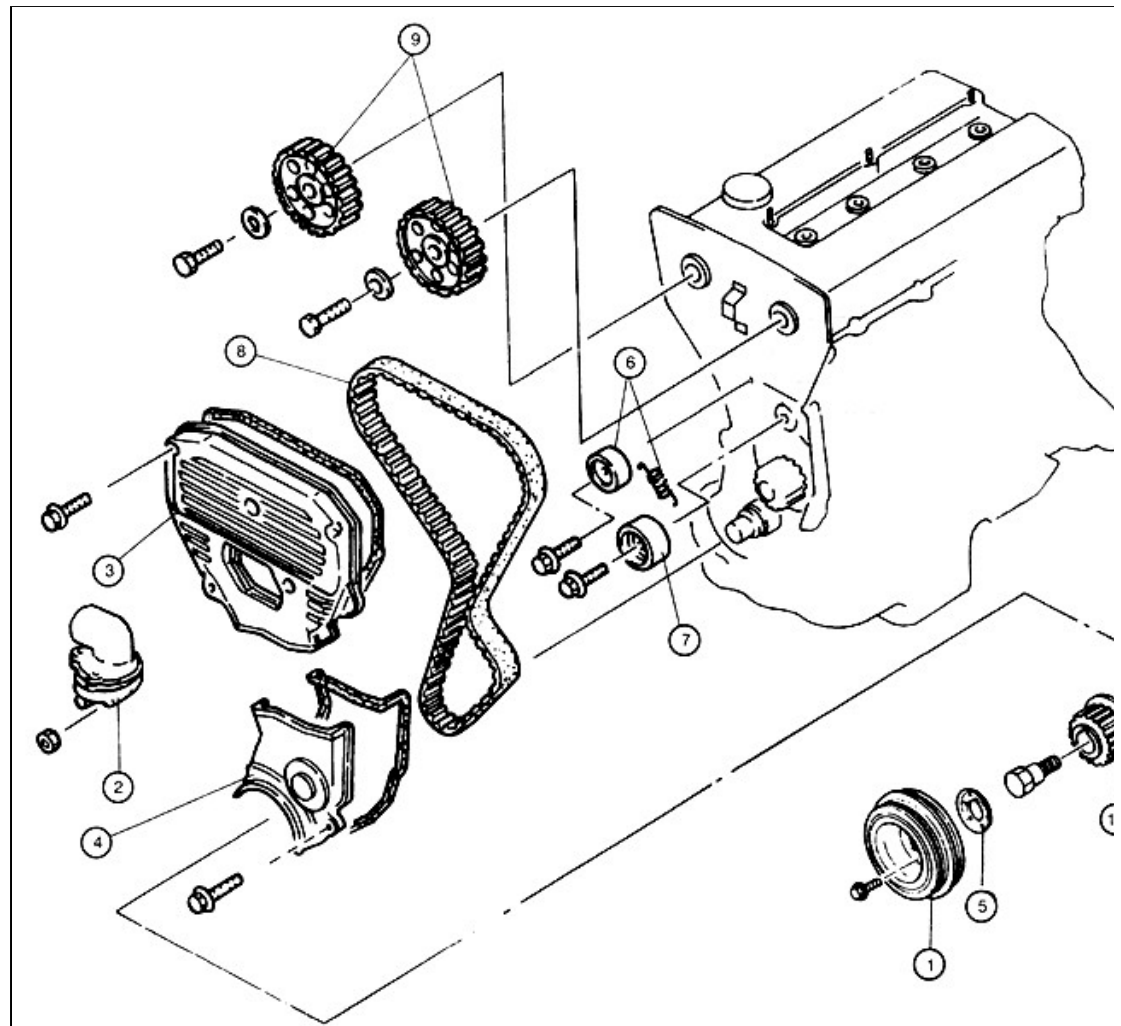
- [Wiring Diagram Linking](#)
- [Top 10 KSI Dealerships](#)
- [Printing Instructions for Amanti and 2004 Spectra 2.0 Wiring Diagrams](#)

EXPLODED VEIW

Related Items

None

EXPLODED VEIW



- | | |
|----------------------------|--|
| 1. Crankshaft Pulley | 6. Timing Belt Tensioner Pulley and Spring |
| 2. Thermostat Assembly | 7. Timing Belt Idler Pulley |
| 3. Upper Timing Belt Cover | 8. Timing Belt |
| 4. Lower Timing Belt Cover | 9. Camshaft Pulleys |
| 5. Timing Belt Guide Plate | 10. Timing Belt Pulley |

Copyright © 2004 Kia Motors America, Inc. | [Privacy Policy](#)