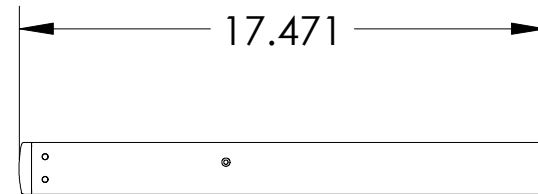
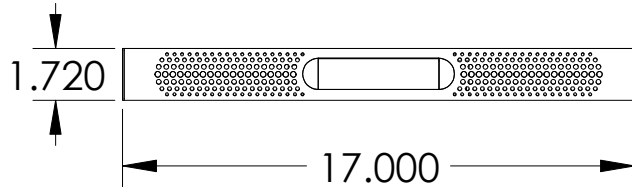
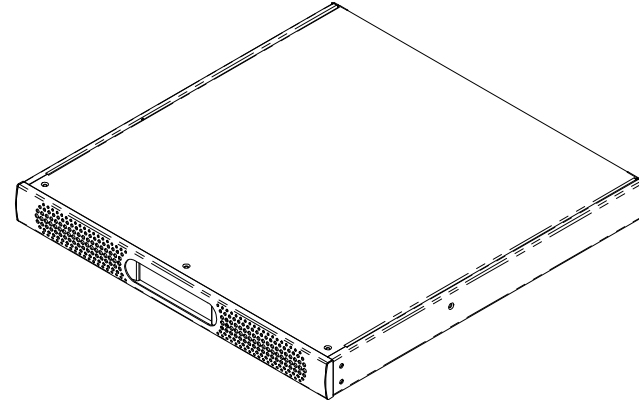
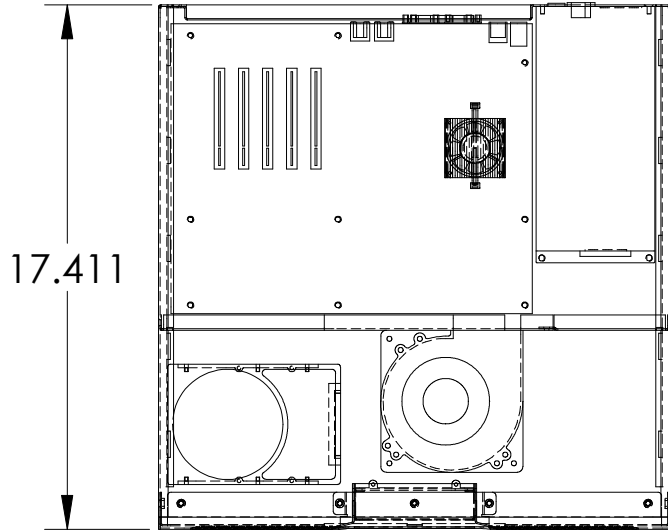


REVISIONS			DATE	APPROVED
ZONE	REV.	DESCRIPTION		



**PROPRIETARY AND CONFIDENTIAL**  
 THE INFORMATION CONTAINED IN THIS DRAWING IS THE SOLE PROPERTY OF <INSERT COMPANY NAME HERE>. ANY REPRODUCTION IN PART OR AS A WHOLE WITHOUT THE WRITTEN PERMISSION OF <INSERT COMPANY NAME HERE> IS PROHIBITED.

		DIMENSIONS ARE IN INCHES TOLERANCES: FRACTIONAL ± ANGULAR: MACH ± BEND ± TWO PLACE DECIMAL ± THREE PLACE DECIMAL ±		NAME	DATE	SiliconRax		
				DRAWN				
				CHECKED				
				ENG APPR.				
				MFG APPR.				
				Q.A.				
				COMMENTS:				
NEXT ASSY	USED ON					SIZE <b>A</b>	DWG. NO.	REV.
APPLICATION		DO NOT SCALE DRAWING				SCALE: 1:6	WEIGHT:	SHEET 1 OF 2

