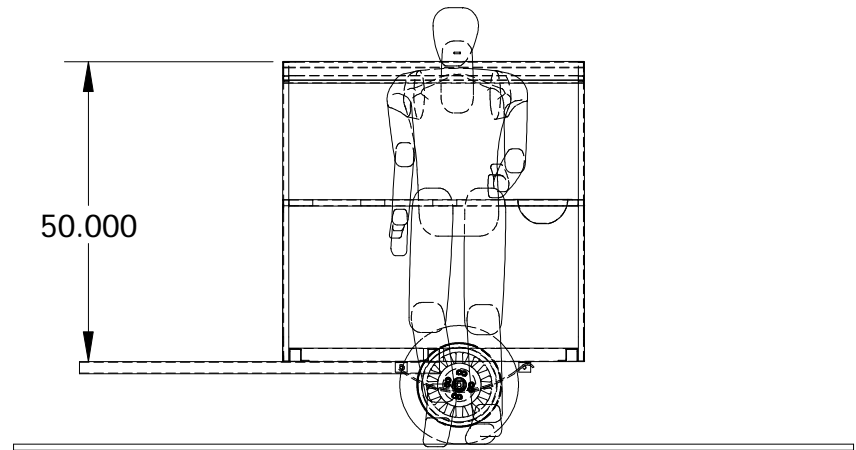
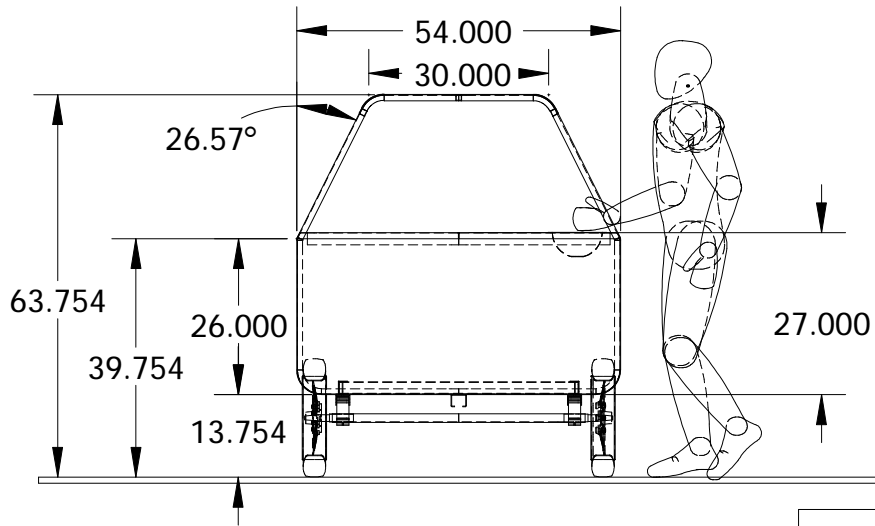
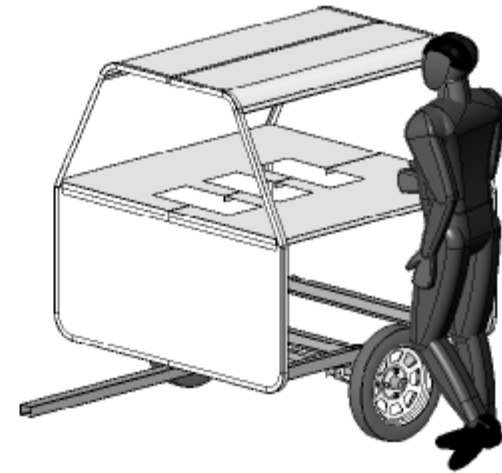
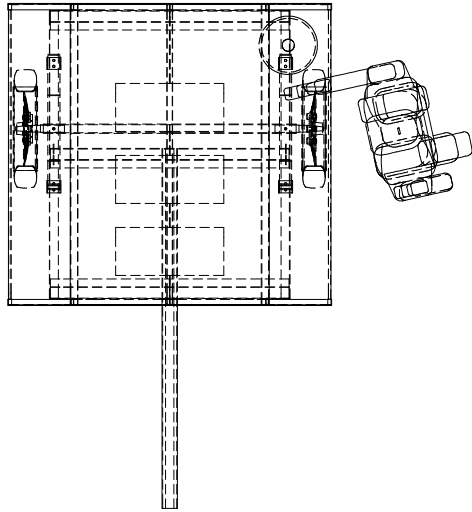


		REVISIONS			
ZONE	REV.	DESCRIPTION	DATE	APPROVED	



PROPRIETARY AND CONFIDENTIAL
 THE INFORMATION CONTAINED IN THIS
 DRAWING IS THE SOLE PROPERTY OF
 WOLFF ENGINEERING.
 ANY REPRODUCTION IN PART OR AS A
 WHOLE WITHOUT THE WRITTEN
 PERMISSION OF WOLFF ENGINEERING.
 IS PROHIBITED.

		DIMENSIONS ARE IN INCHES TOLERANCES: FRACTIONAL: ± 1/32" ANGULAR: BEND ± 1/2 deg. TWO PLACE DECIMAL ± .020" THREE PLACE DECIMAL ± .010"		NAME	DATE	Wolff Engineering
		DESIGNER	LA Wolff			
		CHECKED				
		ENG APPR.				
		MFG APPR.				
		Q.A.				
		COMMENTS:				
NEXT ASSY	USED ON			SIZE	DWG. NO.	
APPLICATION		Paint		A	Dog Cart #2 Assy	
		SURFACE AREA = 71427.045 sq. in.		WEIGHT = 13657.584 lbs.	SCALE=1:32	
				SHEET 1 OF 1		