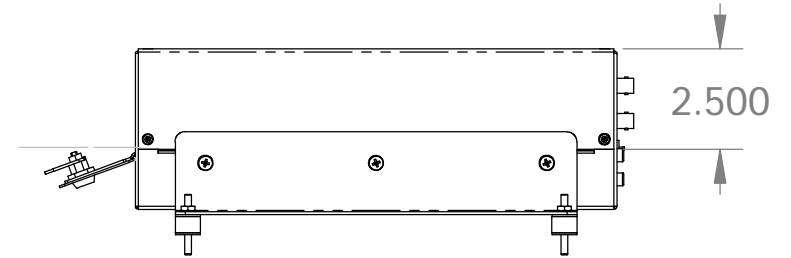
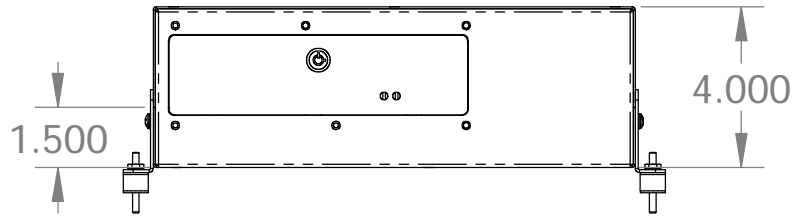
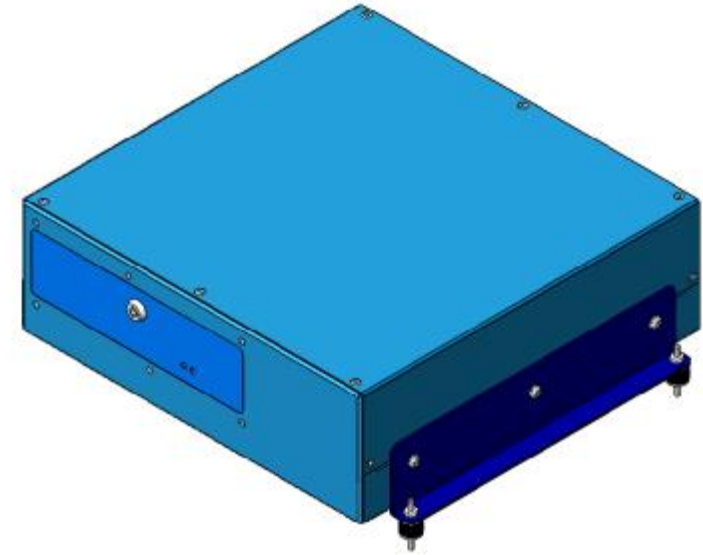
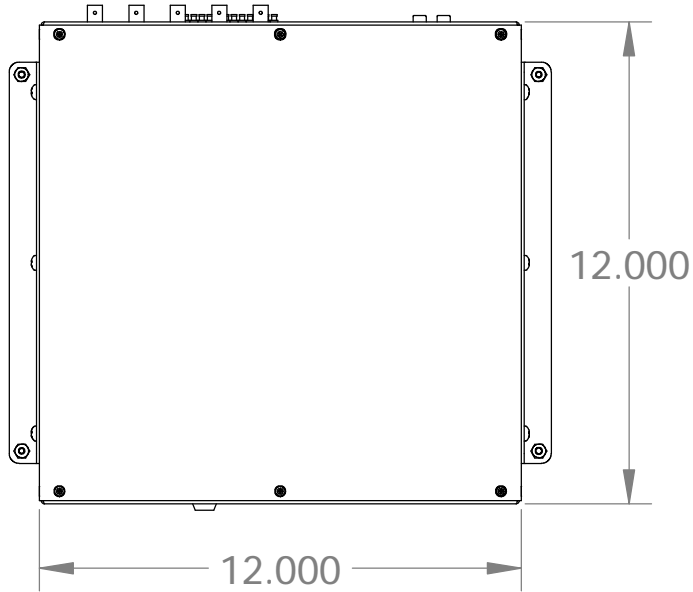


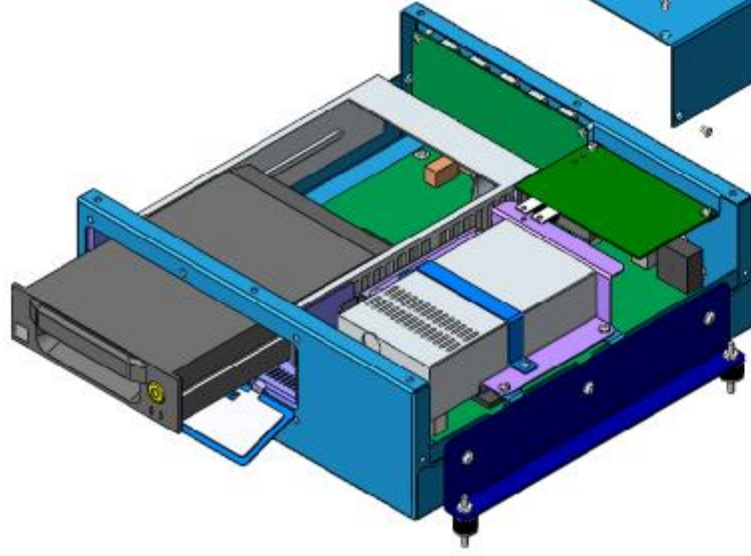
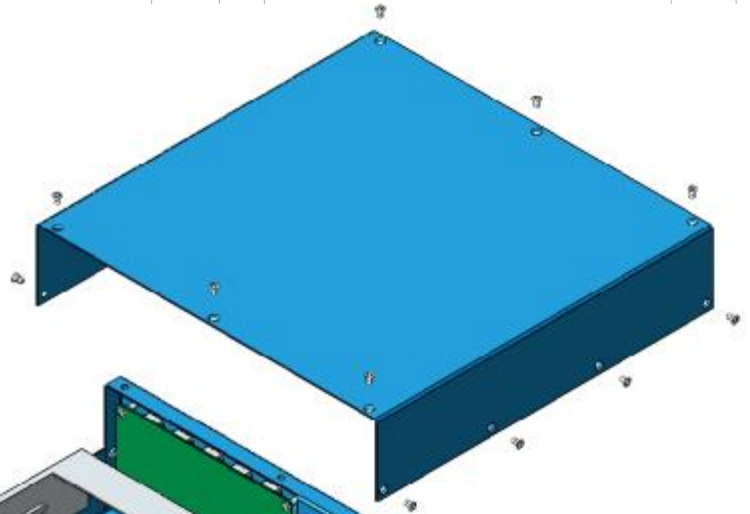
REVISIONS		DATE	APPROVED
ZONE	REV.	DESCRIPTION	



PROPRIETARY AND CONFIDENTIAL
 THE INFORMATION CONTAINED IN THIS
 DRAWING IS THE SOLE PROPERTY OF
 SILICONRAX INC.
 ANY REPRODUCTION IN PART OR AS A
 WHOLE WITHOUT THE WRITTEN
 PERMISSION OF SILICONRAX INC.
 IS PROHIBITED.

DIMENSIONS ARE IN INCHES TOLERANCES: FRACTIONAL ± 1/32" ANGULAR: BEND ± 1/2 deg. TWO PLACE DECIMAL ± .020" THREE PLACE DECIMAL ± .010"		NAME	DATE	SiliconRax Inc. DVR-4000 Mobile Video Surveillance Rec. Security Device
MATL	BOM	DRAWN	LAW	
Finish	See Dwg's	CHECKED		
Plate		ENG APPR.		
NEXT ASSY	USED ON	MFG APPR.		SIZE DWG. NO. REV. A DVR-4000
APPLICATION	See Dwg's	Q.A.		
Paint		COMMENTS:		WEIGHT = 18.361 lbs.
		SURFACE AREA = 2130.016 sq. in.		SCALE=1:4.5 SHEET 1 OF 4

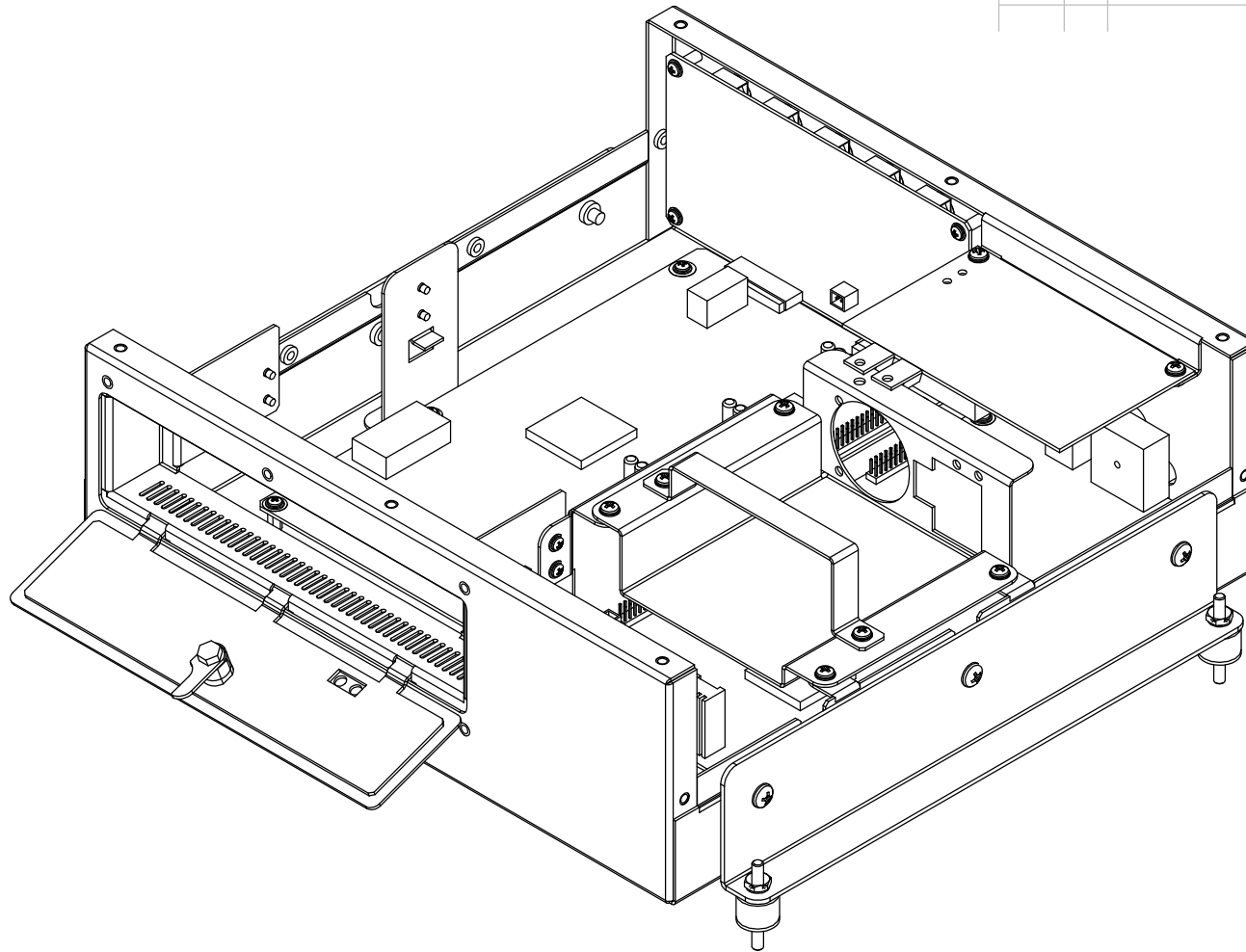
		REVISIONS			
ZONE	REV.	DESCRIPTION		DATE	APPROVED



PROPRIETARY AND CONFIDENTIAL
 THE INFORMATION CONTAINED IN THIS
 DRAWING IS THE SOLE PROPERTY OF
 SILICONRAX INC.
 ANY REPRODUCTION IN PART OR AS A
 WHOLE WITHOUT THE WRITTEN
 PERMISSION OF SILICONRAX INC.
 IS PROHIBITED.

		DIMENSIONS ARE IN INCHES TOLERANCES: FRACTIONAL ± 1/32" ANGULAR: BEND ± 1/2 deg. TWO PLACE DECIMAL ± .020" THREE PLACE DECIMAL ± .010"		NAME	DATE	<h1>SiliconRax Inc.</h1> <p>DVR-4000 Mobile Video Surveillance Rec. Security Device</p>		
		MATL	BOM	DRAWN	LAW			
		Finish	See Dwg's	CHECKED				
		Plate		ENG APPR.				
		Paint	See Dwg's	MFG APPR.				
NEXT ASSY	USED ON			Q.A.		SIZE	DWG. NO.	REV.
APPLICATION				COMMENTS:		A	DVR-4000	
				SURFACE AREA = 2130.016 sq. in.		WEIGHT = 18.361 lbs.		SCALE=1:4.5 SHEET 2 OF 4

REVISIONS		DATE	APPROVED
ZONE	REV.	DESCRIPTION	



PROPRIETARY AND CONFIDENTIAL
 THE INFORMATION CONTAINED IN THIS
 DRAWING IS THE SOLE PROPERTY OF
 SILICONRAX INC.
 ANY REPRODUCTION IN PART OR AS A
 WHOLE WITHOUT THE WRITTEN
 PERMISSION OF SILICONRAX INC.
 IS PROHIBITED.

		DIMENSIONS ARE IN INCHES TOLERANCES: FRACTIONAL $\pm 1/32"$ ANGULAR: BEND $\pm 1/2$ deg. TWO PLACE DECIMAL $\pm .020"$ THREE PLACE DECIMAL $\pm .010"$		NAME	DATE	SiliconRax Inc.
		DRAWN	LAW			
		CHECKED				
		ENG APPR.				
		MFG APPR.				
		Finish		Q. A.		
		Plate	COMMENTS:			
NEXT ASSY	USED ON	Paint				SIZE A
APPLICATION			SURFACE AREA = sq. in.			DWG. NO. DVR-4000
			WEIGHT = lbs.			REV.
			SCALE=1:2.5			SHEET 3 OF 4

ITEM NO.	QTY.	PART NO.	DESCRIPTION	MATERIAL	VENDOR
1	1	DVR-4100	Chassis, Base	.047 CRS (Galv.)	
2	6	SS-032-1	Nut	Steel	PEM
3	25	S-632-1	Nut	Steel	PEM
4	4	BSO-440-14	Standoff, Blind	Steel	PEM
5	6	FH-632-5	Stud, Flush	Steel	PEM
6	2	FH-632-20	Stud, Flush	Steel	PEM
7	10	FH-440-4	Stud, Flush	Steel	PEM
8	12	90308A163(4-40X38)			
9	1	DVR-4110	Bezel, Hard Drive	.047 CRS	
10	1	DVR-4120	Door, Skin	.047 CRS	
11	2	DVR-4121	Door, Hinge	.047 CRS	
14	1	DVR-4130	Support, HD & P/S	.047 CRS (Galv.)	
15	1	DVR-4131	Support, HD	.047 CRS (Galv.)	
16	1	DVR-4140	Mount, P/S	.047 CRS (Galv.)	
17	1	DVR-4141	Clamp, P/S	.047 CRS (Galv.)	
18	8	6C19PPIZZ	#6-32 x 3/16" Phil Pan & Washer	Steel	Olander
19	2	DVR-4150	Support, Chassis	.074 CRS	
20	4	3-832-20			
21	4	(#8-32) Nut & Washer			
22	6	(#8-32x38) Pan			Olander
23	1	DVR-4200	Chassis, Cover	.047 CRS (Galv.)	
37	17	(#6-32x14) 100' CS			Olander
38	28	4C19PPIZZ	#4-40 x 3/16" Phil Pan & Washer	Steel	Olander
39	8	(#6-32) Hex & Washer			
40	2	(#4-40x14) 100' CS			Olander

PROPRIETARY AND CONFIDENTIAL
THE INFORMATION CONTAINED IN THIS
DRAWING IS THE SOLE PROPERTY OF
SILICONRAX INC.
ANY REPRODUCTION IN PART OR AS A
WHOLE WITHOUT THE WRITTEN
PERMISSION OF SILICONRAX INC.
IS PROHIBITED.

		DIMENSIONS ARE IN INCHES TOLERANCES: FRACTIONAL: ± 1/32" ANGULAR: BEND ± 1/2 deg. TWO PLACE DECIMAL ± .020" THREE PLACE DECIMAL ± .010"		NAME	DATE	SiliconRax Inc. DVR-4000 Mobile Video Surveillance Rec. Security Device		
		DRAWN	LAW					
		CHECKED						
		ENG APPR.						
		MFG APPR.						
		Q.A.						
		COMMENTS:						
NEXT ASSY	USED ON	MATL	BOM			SIZE	DWG. NO.	REV.
		Finish	See Dwg's			A	DVR-4000	
		Plate				SURFACE AREA = 2130.016 sq. in. WEIGHT = 18.361 lbs. SCALE=1:4.5 SHEET 4 OF 4		
		Paint	See Dwg's					