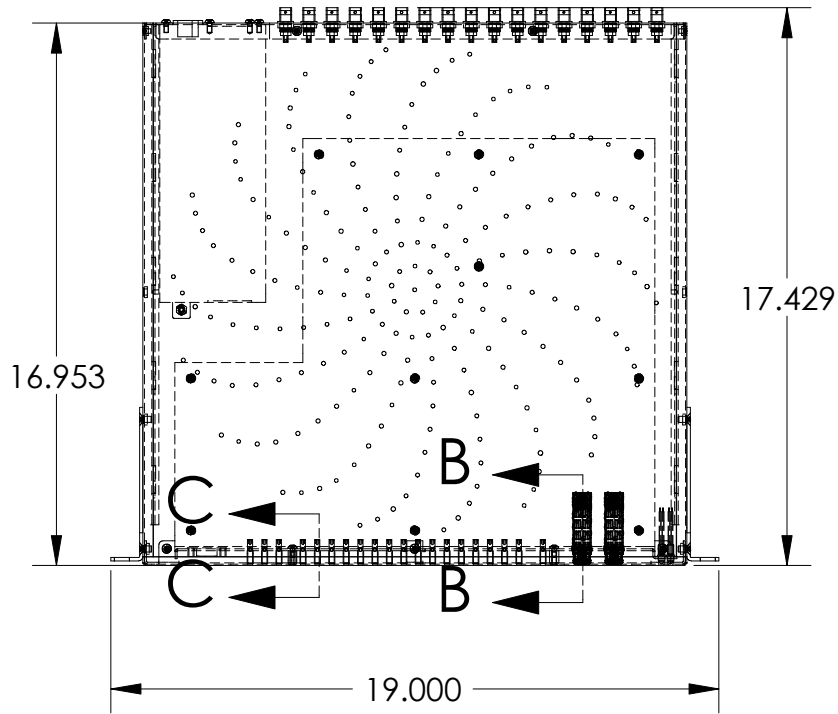
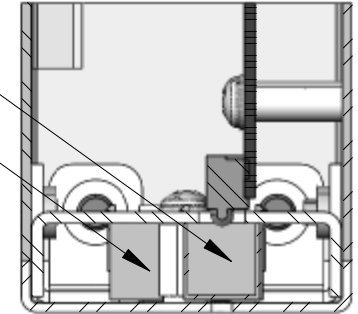


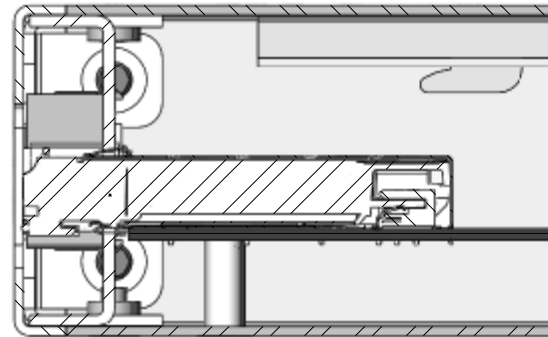
		REVISIONS			
ZONE	REV.	DESCRIPTION	DATE	APPROVED	



Small Light Pipe  
(Video)  
Large Light Pipe  
(System)

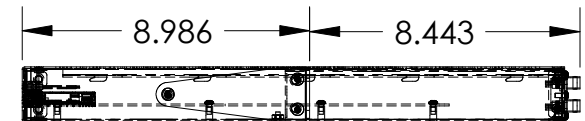
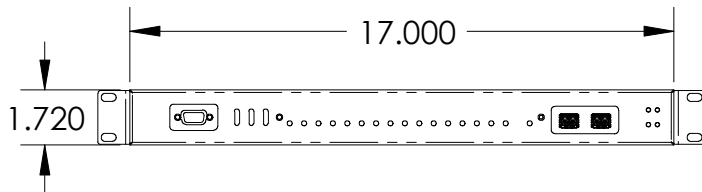


SECTION C-C  
SCALE 1 : 1



.500

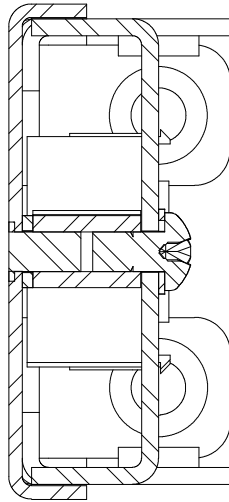
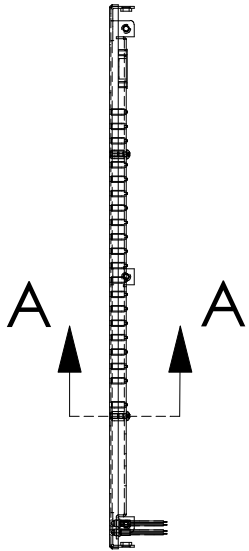
SECTION B-B  
SCALE 1 : 1



**PROPRIETARY AND CONFIDENTIAL**  
THE INFORMATION CONTAINED IN THIS DRAWING IS THE SOLE PROPERTY OF SILICONRAX INC. ANY REPRODUCTION IN PART OR AS A WHOLE WITHOUT THE WRITTEN PERMISSION OF SILICONRAX INC. IS PROHIBITED.

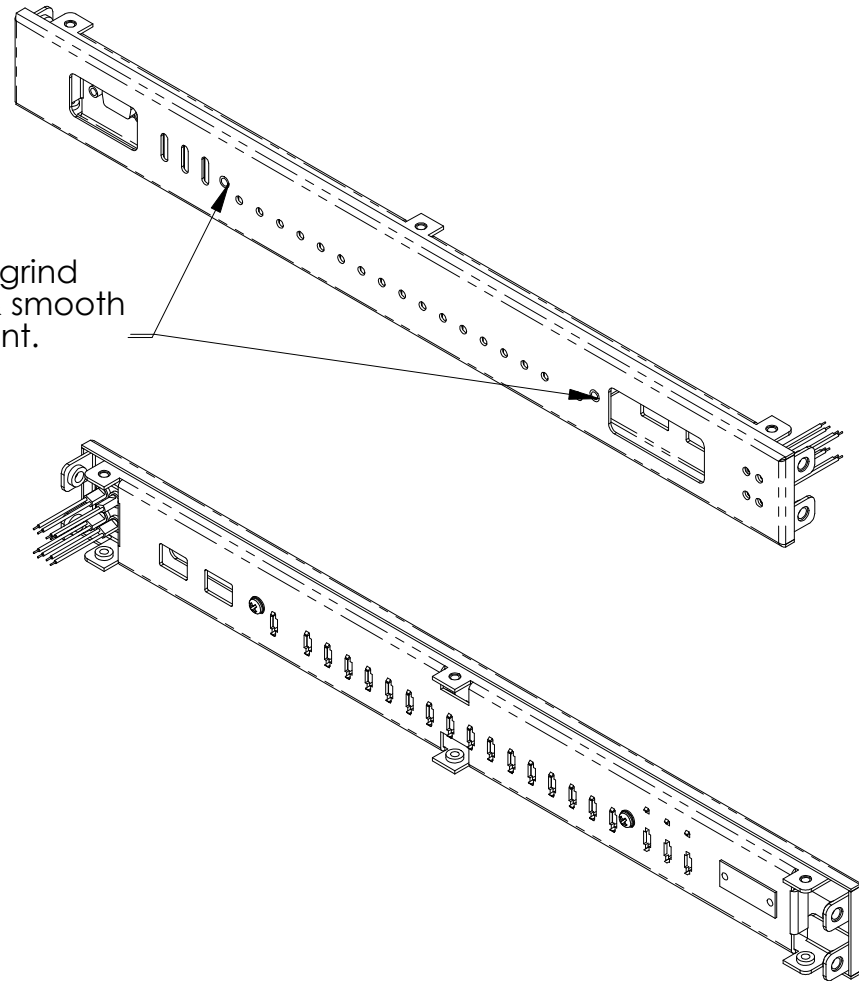
		DIMENSIONS ARE IN INCHES TOLERANCES: FRACTIONAL: ± 1/32" ANGULAR: BEND ± 1/2 deg. TWO PLACE DECIMAL ± .020" THREE PLACE DECIMAL ± .010"		NAME	DATE	<b>SiliconRax Inc.</b> <b>KASA</b> Chassis 1U Video Server
		MAT'L	BOM	DESIGNER	LAWloff	
		Finish	See Drawing's	CHECKED		
		Plate		ENG APPR.		
		Paint		MFG APPR.		
NEXT ASSY	USED ON			Q.A.		SIZE DWG. NO. REV. <b>A</b> Chassis Assy
APPLICATION				COMMENTS:		
				SURFACE AREA = 2143.452 sq. in.		WEIGHT = 16.488 lbs.
				SCALE=1:6		SHEET 1 OF 3

		REVISIONS			
ZONE	REV.	DESCRIPTION		DATE	APPROVED



SECTION A-A  
SCALE 1.5 : 1

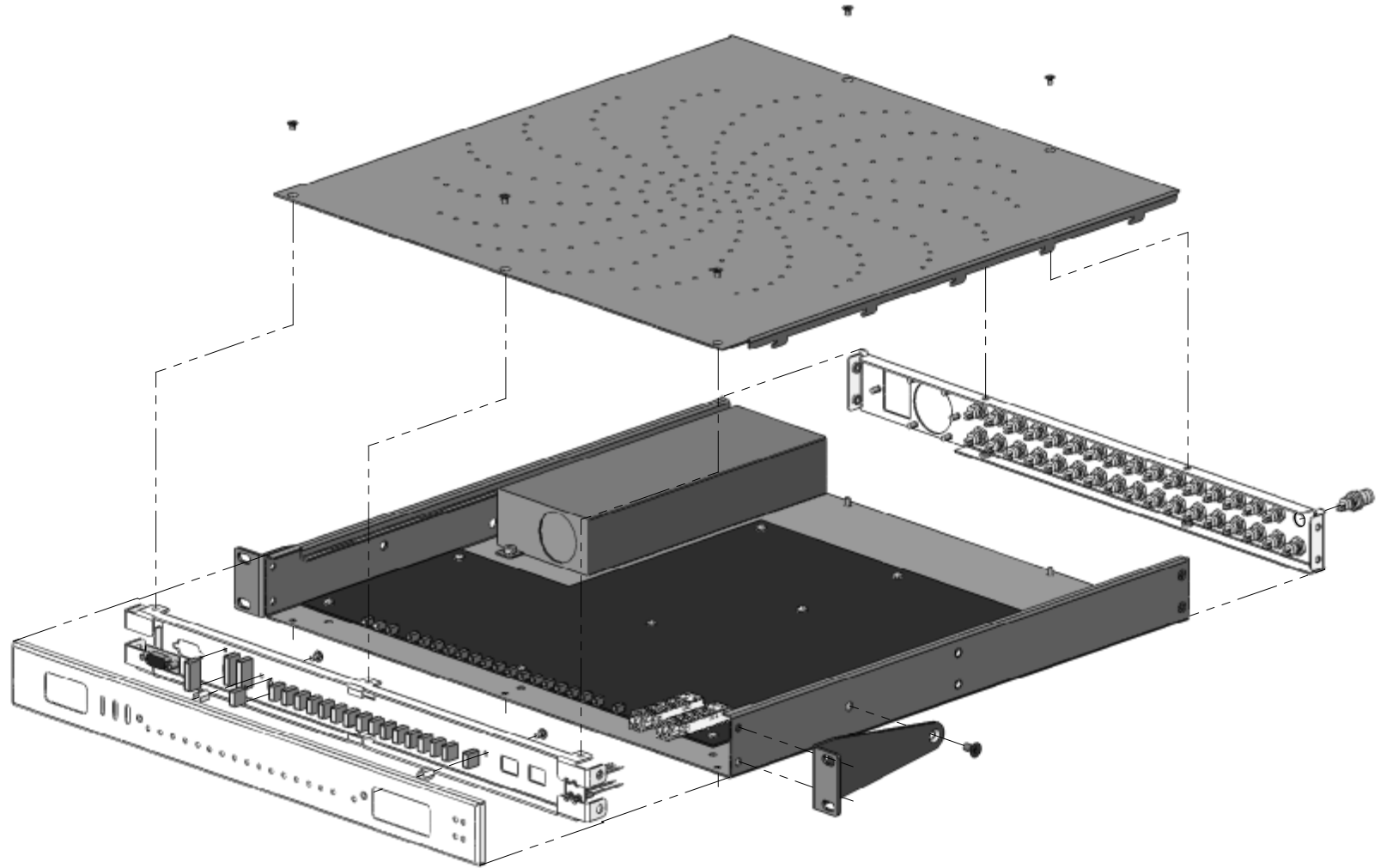
Studs, grind  
flush & smooth  
for paint.



**PROPRIETARY AND CONFIDENTIAL**  
THE INFORMATION CONTAINED IN THIS DRAWING IS THE SOLE PROPERTY OF SILICONRAX INC. ANY REPRODUCTION IN PART OR AS A WHOLE WITHOUT THE WRITTEN PERMISSION OF SILICONRAX INC. IS PROHIBITED.

		DIMENSIONS ARE IN INCHES TOLERANCES: FRACTIONAL: ± 1/32" ANGULAR: BEND ± 1/2 deg. TWO PLACE DECIMAL ± .020" THREE PLACE DECIMAL ± .010"	NAME	DATE	<b>SiliconRax Inc.</b>	
			DESIGNER	LAWloff		
		MAT'L	CHECKED			Bezel Assy.
		BOM	ENG APPR.			
		Finish	MFG APPR.			
		See Drawing's	Q.A.			
		Plate	COMMENTS:			
NEXT ASSY	USED ON	Paint			SIZE DWG. NO. REV.	
APPLICATION			SURFACE AREA = 184.9393 sq. in.		Chassis Assy	
			WEIGHT = 1.1963 lbs.		SCALE=1:3 SHEET 2 OF 3	

		REVISIONS			
ZONE	REV.	DESCRIPTION		DATE	APPROVED



**PROPRIETARY AND CONFIDENTIAL**  
 THE INFORMATION CONTAINED IN THIS DRAWING IS THE SOLE PROPERTY OF SILICONRAX INC. ANY REPRODUCTION IN PART OR AS A WHOLE WITHOUT THE WRITTEN PERMISSION OF SILICONRAX INC. IS PROHIBITED.

		DIMENSIONS ARE IN INCHES TOLERANCES: FRACTIONAL: ± 1/32" ANGULAR: BEND ± 1/2 deg. TWO PLACE DECIMAL ± .020" THREE PLACE DECIMAL ± .010"		NAME	DATE	<b>SiliconRax Inc.</b> <b>KASA</b> Chassis 1U Video Server
		MAT'L		DESIGNER	LAWloff	
		BOM		CHECKED		
		Finish		ENG APPR.		
		See Drawing's		MFG APPR.		
NEXT ASSY	USED ON	Plate		Q.A.		
APPLICATION		Paint		COMMENTS:		
				SURFACE AREA = 2143.452 sq. in.		SIZE DWG. NO. REV.
				WEIGHT = 16.488 lbs.		A Chassis Assy
				SCALE=1:4.25		SHEET 3 OF 3