



What's included in the XMODS Custom RC Starter Kit  
The ESC motor has to be used  
Size  
Optional upgrades



With the XMODS Custom RC Starter Kit, you can start your own RC truck and have fun with it. The kit includes everything you need to get started, including the motor, ESC, and battery. You can also upgrade your XMODS Custom RC Starter Kit with optional upgrades for more power and speed.

Assembly instructions  
Custom RC Starter Kit  
XMODS Custom RC Starter Kit

**User's Guide**

**Custom RC Truck Starter Kit**

1. Introduction to the XMODS Custom RC Starter Kit

2. What's included in the XMODS Custom RC Starter Kit

3. Assembly instructions

4. Custom RC Starter Kit

5. XMODS Custom RC Starter Kit

**Contents**

# Contents

<b>XMODS® Custom RC Starter Kit</b> .....	<b>3</b>
Your Custom RC Starter Kit Includes .....	4
<b>Assembling Your XMODS Custom RC</b> .....	<b>5</b>
Assembling the Wheels .....	5
Installing Batteries in the Chassis .....	6
Assembling the Antenna .....	7
Redistributing the Truck's Weight .....	7
Assembling the Truck Bodies (Hummer and F-150) .....	8
Mounting the Body on the Chassis .....	9
<b>Setting Up Your Controller</b> .....	<b>10</b>
Installing the Battery .....	11
Changing the Steering Control for the Left Hand .....	12
<b>Driving Your Truck</b> .....	<b>14</b>
Steering Wheel .....	14
Speed Control .....	14
Fine Tuning .....	15
When You Finish Driving .....	16
<b>Optional Upgrades</b> .....	<b>18</b>
<b>Care</b> .....	<b>21</b>
<b>The FCC Wants You to Know</b> .....	<b>21</b>
<b>Warranty</b> .....	<b>22</b>



## XMODS® Custom RC Starter Kit

Here comes the Truck version of highly-acclaimed XMODS series! The truck series inherits all the features of the first generation, plus some additional ones. Your starter kit includes the following features...

- A full set of factory parts to assemble your truck
- A digital proportional radio controller with built-in steering and throttle trims for precision driving under varying track conditions
- A switchable controller for left- and right-handed drivers
- A collapsible radio controller for easy carrying and storage
- Redistributable weight so you can optimize driving performance and handling
- 60% more torque than the first generation XMODS
- Climbs up to 45 degrees
- Sharper response for acceleration, brake, and steering

To really get your motor running, customize your XMODS with optional upgrades for both performance and looks, available at your local RadioShack store. Check out the line-up of XMODS upgrades online at [www.xmodsRC.com](http://www.xmodsRC.com).

**Important!** The XMODS Trucks are designed for indoor use only. Do not let dirt, water, or other foreign objects get inside.

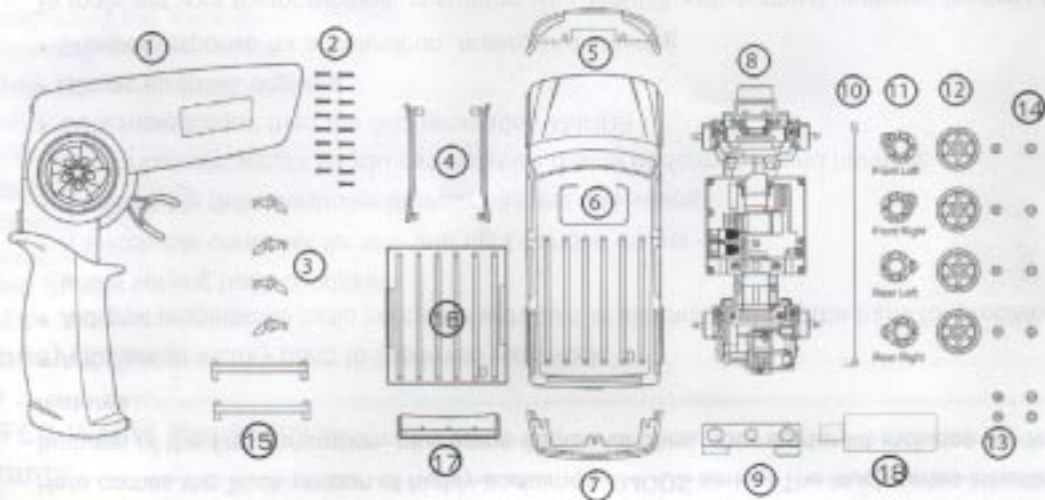
©2005 RadioShack Corporation. All rights reserved.

XMODS is a registered trademark of RadioShack Corporation.



## Your Starter Kit Includes

1. Controller w/antenna
2. Screws (quantity varies by body style)
3. Left/right side mirrors (spares included)
4. Left and right side skirts(Hummer only)
5. Front bumper
6. Truck body
7. Rear bumper
8. Truck Chassis
9. Rear attachment
10. Truck antenna
11. Disc brakes (4)
12. Wheels w/Tires (4)
13. Wheel nuts (6)
14. Wheel spacers (6)
15. Roof rails (Hummer only)
16. Load-carrying platform bottom (F-150)
17. Rear spoiler (F-150 only)
18. Lug wrench
19. Screwdriver (not shown)
20. Decal sheet (not shown)



4

XMODS® Custom RC Starter Kit

[www.xmodsRC.com](http://www.xmodsRC.com)



## Assembling Your XMODS Custom RC

### Assembling the Wheels

1) If you want to install disc breaks, loosen and remove the screw on the knuckle cover. Carefully unlatch the claw on the knuckle cover and pull out the wheel shaft along with the knuckle cover. If the wheel shaft comes apart, restore the wheel shaft to its original position. Attach the disc brake and tighten with the screw you just removed. The disc brakes are different for front/rear and left/right: refer to the illustration and use the correct one.

2) Align the flat side of the wheel with the flat side of the axle and slide the wheel onto the same axle.

3) Attach the wheel spacers to the rear wheels. The flat side of the spacer should face the wheel.

**Note:** When you want to use the larger tires (that come with the Off-Road Upgrade) on the wheels of this starter kit, you must put the spacers on the shaft first before attaching the wheel to the shaft.

4) Screw the wheel nut onto the axle and tighten with the supplied gray lug wrench. **Do not overtighten the wheel nuts!**

5) Repeat steps 2—5 for each wheel.

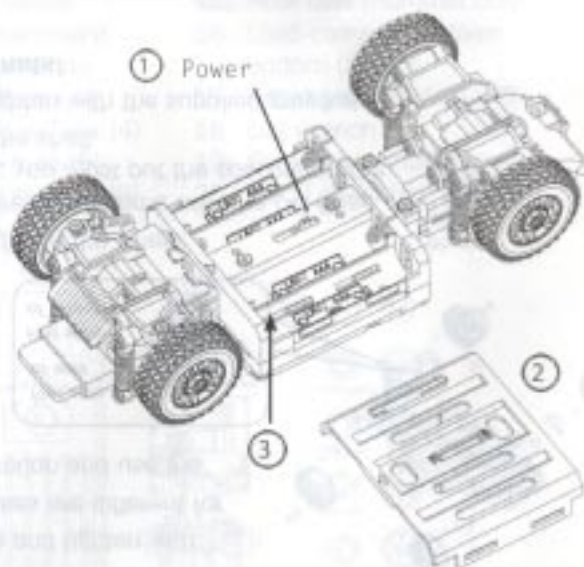


[www.xmodsRC.com](http://www.xmodsRC.com)

5

## Installing Batteries in the Chassis

- 1) Make sure the power switch on the bottom of the chassis is in the **OFF** (rear) position.
- 2) Push either side of the battery compartment cover to disengage the latch, and then lift up the cover.
- 3) Insert four AAA alkaline or rechargeable\* batteries in the compartments, matching the polarity symbols (+ and -) marked inside.
- 4) Align the triangle mark on the cover with the triangle mark on the compartment and snap the cover back in place.



\* Pick up an optional battery charger kit with rechargeable AAA batteries (230-0350) at RadioShack.

6

[www.xmodsRC.com](http://www.xmodsRC.com)



## Assembling the Antenna

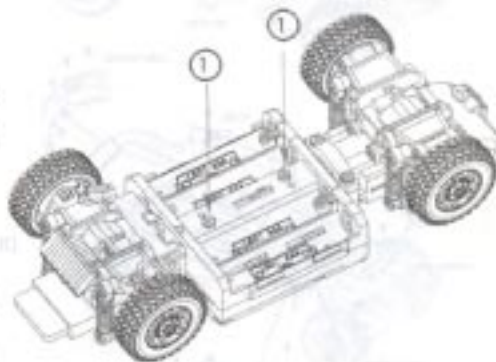
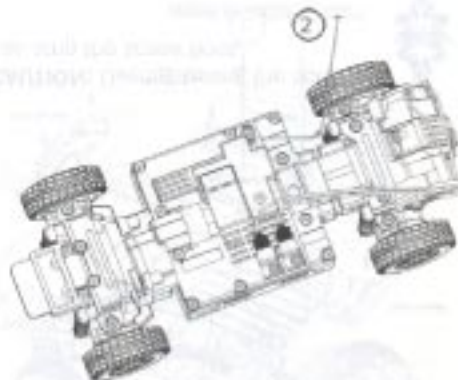
- 1) Unscrew and remove the screw on the right side of the chassis. There is a washer beneath the screw; take care not to lose it.
- 2) Thread the screw through the metal loop at the base of the antenna and back to the hole. Then, snugly tighten.
- 3) Thread the antenna screw back into its slot and tighten.

**Note:** Be sure not to lose the washer beneath your antenna's screw.

## Redistributing the Truck's Weight

You can shift the weight of the batteries to alter your truck's center of gravity for optimal handling during various driving conditions.

- 1) Unscrew the screws of the battery compartments.
- 2) Slide the battery compartment to the desired position.
- 3) Set the screw in the holes on each side and tighten until snug.



[www.xmodsRC.com](http://www.xmodsRC.com)

7

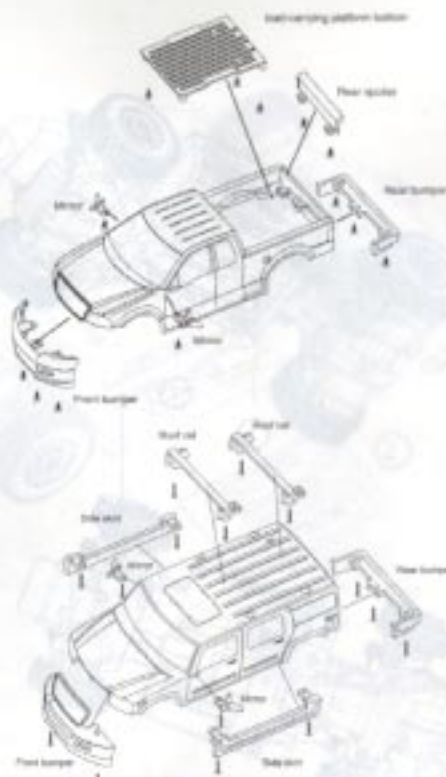
## Assembling the Truck Body

### F-150

- 1) Align the front bumper under the front end. Then, insert and snugly tighten the screws.
- 2) Align the tail part beneath the body. Insert the two screws.
- 3) Align the rear bumper under the rear end, and then insert and snugly tighten the screws.
- 4) Insert the left side mirror into the driver's window, and then insert one screw from beneath the body. Repeat for the right side.
- 5) Align the load carrying platform bottom. Insert and snugly tighten the four screws.
- 6) Align the rear attachment to its stay inside the body. Insert one screw and tighten.

### Hummer

- 1) Align the front bumper under the front end. Then, insert and snugly tighten the screws.
- 2) Align the rear bumper under the rear end, and then insert and snugly tighten the screws.
- 3) Insert the left side mirror into the driver's window, and then insert one screw from beneath the body and tighten. Repeat for the right side.



**CAUTION:** Overtightening the screws can strip the screw boss.

[www.xmodsRC.com](http://www.xmodsRC.com)



8

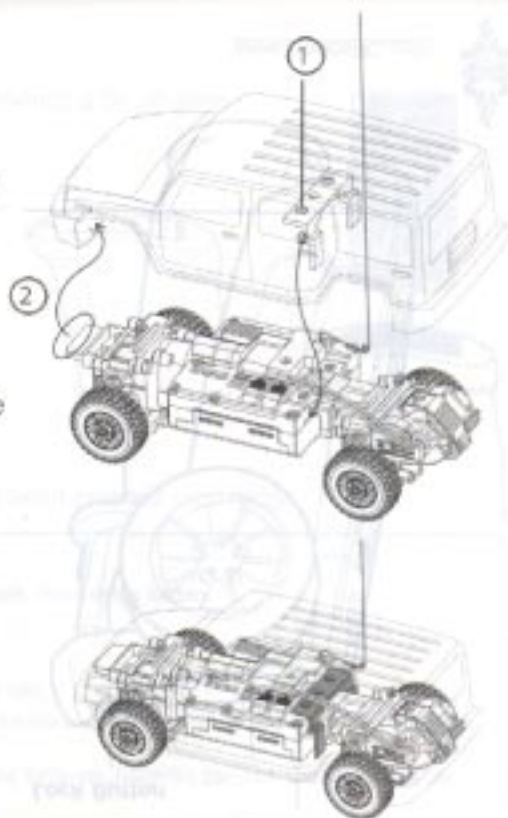
- 4) Align the left side skirt beneath the body. Insert and tighten the two screws. Repeat for the right side skirt.
- 5) Align the roof rail on the roof. Insert and tighten the two screws from beneath the body. Repeat for another roof rail.
- 6) Align the rear attachment to its stay inside the body. Insert one screw and tighten.

### Mounting the Body on the Chassis

- 1) Guide the antenna through the antenna hole of the truck body.
- 2) To attach the truck body to the chassis, insert the nose of the chassis into the slot inside the front bumper.

**Note:** Lower the rear of the body so the lip of the rear attachment enters the slot behind the rear axle.

To remove the body from the chassis, press the lip of the rear attachment gently outward and lift the rear part of the chassis. Then, pull out the nose from the front bumper.



[www.xmodsRC.com](http://www.xmodsRC.com)

9

## Setting Up Your Controller

The controller controls your truck's steering and speed.

- 1) Unfold the controller.
- 2) Remove the antenna from its channel in the controller. Thread your antenna into the antenna connector on top of the controller, and turn until snug.
- 3) Fully extend the antenna before driving.

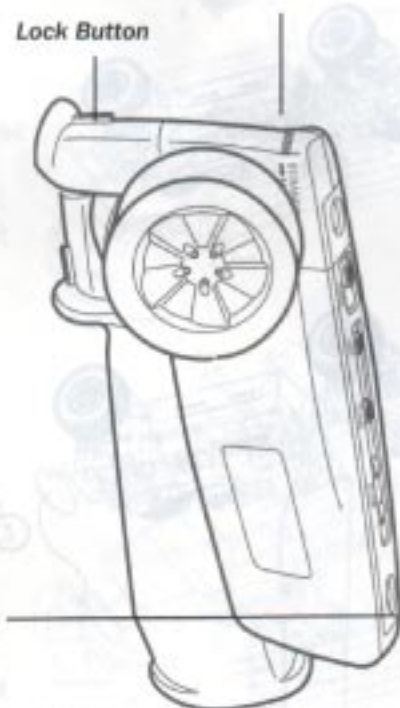
To store the controller after use

- 1) Unscrew the antenna and place it in its storage channel in the controller.
- 2) Press the **Lock** button to fold the controller.

**Antenna Storage Channel**  
(on opposite side)

**Lock Button**

**Antenna Connector**



10

[www.xmodsRC.com](http://www.xmodsRC.com)

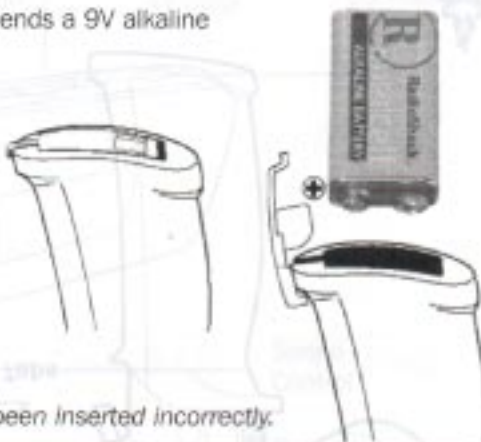


## Installing the Battery

Your controller needs a 9V battery. RadioShack recommends a 9V alkaline battery.

- 1) Make sure the power switch is in the **Off** (rear) position and the controller is unfolded.
- 2) Place your finger in the battery compartment cover grip, and slide until the cover unlatches.
- 3) Place one 9V battery in the compartment, matching the polarity symbols (+ and -) marked inside.
- 4) Replace the cover and snap it shut.

**Note:** You cannot shut the cover if the battery has been inserted incorrectly.



### Battery Notes

- When you notice the LED dims or the range of your car decreases, replace the battery.
- Dispose of old batteries promptly and properly.
- Do not burn or bury batteries.
- Use only fresh batteries of the required size and recommended type.
- Do not mix old and new batteries, different types of batteries (standard, alkaline, or rechargeable), or rechargeable batteries of different capacities.
- If you do not plan to use the vehicle for several days, remove the batteries. Batteries can leak chemicals that can destroy electronic parts.



[www.xmodsRC.com](http://www.xmodsRC.com)

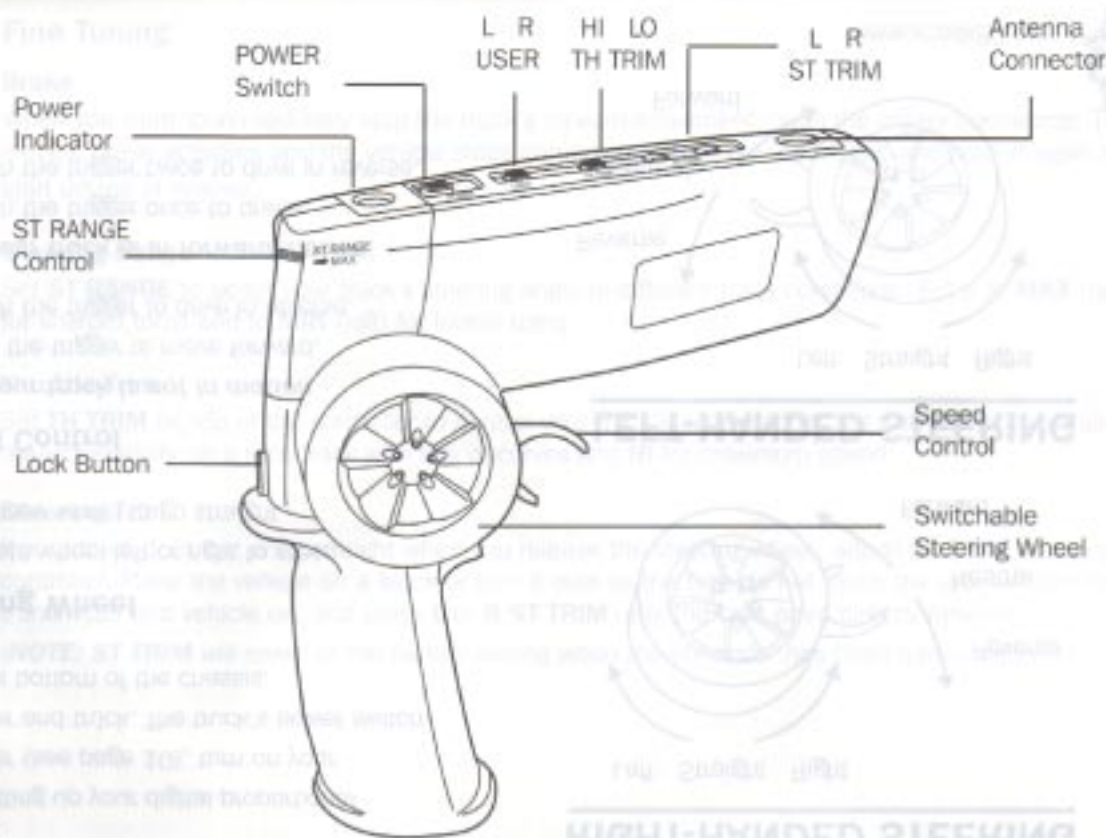
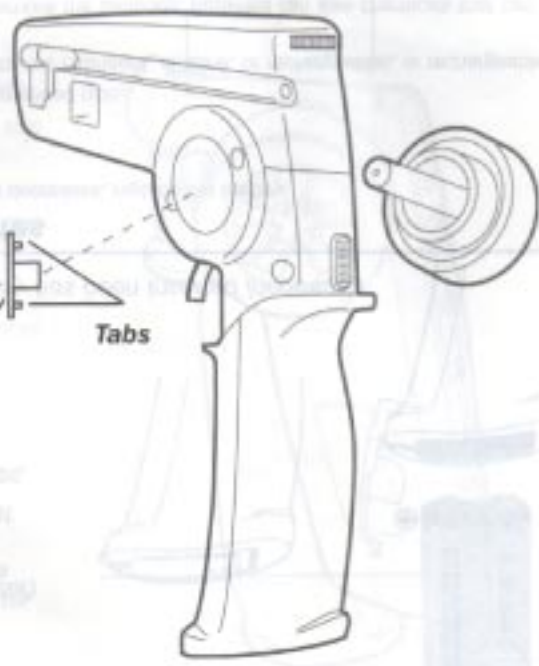
11

## Changing the Steering Control for Left-Handed Drivers

- 1) Unscrew the screw on the opposite side of the controller from the steering wheel.
- 2) Pull out the steering wheel and reinsert it on the other side, keeping the widest channel on the shaft in the bottom position.
- 3) Correctly align the three tabs on the inside of the locking plate with the controller, and then tighten the screw.
- 4) Set **USER** on top of the controller to **L** for left-handed steering.

Locking Plate

Tabs



RIGHT-HANDED STEERING



## Driving Your Truck Control for

After setting up your digital proportional controller (see page 10), turn on your controller and truck. The truck's power switch is on the bottom of the chassis.

### Steering Wheel

- Rotate wheel left or right to steer.
- Release wheel to go straight.

### Speed Control

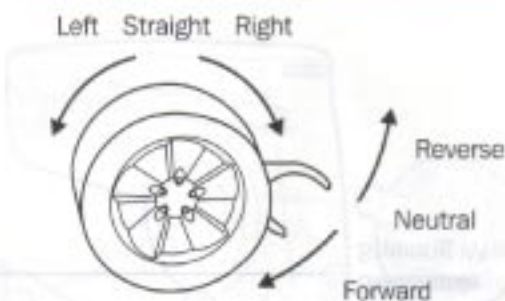
#### While your truck is not in motion

- Pull the trigger to move forward.
- Push the trigger to drive in reverse.

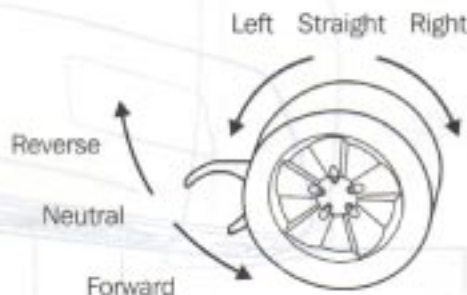
#### While your truck is in forward motion

- Push the trigger once to brake.
- Push the trigger twice to drive in reverse.

## RIGHT-HANDED STEERING



## LEFT-HANDED STEERING



[www.xmodsRC.com](http://www.xmodsRC.com)



## Fine Tuning

### Brake

When you want to immediately stop the truck's forward movement, push the trigger backwards. The electric brake activates and the vehicle stops immediately. Release the trigger, and push it again to start driving in reverse.

### Steering Range

Set **ST RANGE** to adapt your truck's steering angle to different track conditions. Set it to **MAX** (right) for sharper turns and to **MIN** (left) for looser turns.

### Throttle Trim

Set **TH TRIM** on top of the controller to control your truck's acceleration. Set it to **LO** for maximum maneuverability on a race track with lots of curves and **HI** for maximum speed.

### Steering Trim

If your truck does not drive straight when you release the steering wheel, adjust **ST TRIM** on top of the controller. Place the vehicle on a block or turn it over so the tires do not touch the ground. Turn the transmitter and vehicle on, and press **L** or **R ST TRIM** until the tires point directly forward.

(NOTE: **ST TRIM** will revert to the factory setting when the controller has been turned off.)



## When You Finish Driving

- Slide the power switch on the controller to the **Off** (rear) position and retract your controller's antenna.
- Slide the power switch on the bottom of the chassis to the **Off** (rear) position.
- To store your controller, unscrew the antenna and place it in its channel in the controller. Then, press the **Lock** button to fold your controller.
- Make it a habit to remove the batteries from your vehicle after you finish driving. Batteries can leak chemicals that may destroy electronic parts.

## Notes

- If your truck's motor runs, but it does not respond to the controller, move closer to the truck and try again.
- You cannot operate your truck near devices with controllers that use the same frequency. The frequency used in your XMODS is identified by color (and frequency) on the label of the vehicle and controller crystals. See following frequency chart:

Band 1	26.995 MHz	Brown
Band 2	27.045 MHz	Red
Band 3	27.095 MHz	Orange
Band 4	27.145 MHz	Yellow
Band 5	27.195 MHz	Green
Band 6	27.255 MHz	Blue



- To compete with a friend who has the same vehicle as yours, you can change the frequency by changing the crystals in your truck and controller. See "Optional Upgrade Kits on page 18."
- If your truck moves slowly with new or recharged batteries, check the wheel mechanisms for lint, thread, hair or dust.
- CBs and other RC controllers could interfere with your ability to control your truck. If this happens, increase the distance between the interfering devices until normal control of your vehicle resumes.
- If a static discharge causes your controller to become unresponsive, turn it off and then back on.



## Optional Upgrade Kits

Modify and personalize your XMODS truck with optional motor upgrades, body kits, steering and suspension upgrades, and more. Check out the entire XMODS line and accessories at RadioShack and online at [www.xmodsRC.com](http://www.xmodsRC.com).

### Stage 2 Motor Upgrade (60-8566)

Change the speed, handling, and torque of your truck with different combinations of gears. This kit contains a new motor with different pitch gears.

### 4-Wheel Drive Upgrade (60-8573)

Increase your driving performance with all-wheel drive.

### Custom Suspension and Drop Upgrade (60-8569)

Fine tune your truck's handling by upgrading the tie-rods, suspension springs, and dampers. Drop Upgrade increases stability.

### Off Road Upgrade (60-8572)

Convert your truck to go over gaps by wearing big tires and lifting the chassis up.

### Custom Slammed Wheel and Tire Upgrade (60-8574)

Adapt to a variety of driving conditions by choosing from 3 sets of tires with different hardness. Also includes a cool design wheels.

18

[www.xmodsRC.com](http://www.xmodsRC.com)



### Crystal Racing Set (60-8507)

When paired with crystal bands 1 to 6, you can simultaneously race up to 12 XMODS by selecting a pair of crystals not used by other drivers in your race. Crystal sets available in bands 7 to 12 on [www.radioshack.com](http://www.radioshack.com).

### Command Logic™ Ground Effects Kit (60-8565)

Decorate your truck with a cool green undercarriage light.

### Command Logic™ Light Kit (60-8557)

Add realistic lighting to your vehicle with working LED head lights and tail lights.

### Precision Metal Bearings Upgrade (60-8567)

Enjoy the smoothest operation and reduced friction by upgrading to metal bearings on your custom RC.

### Tool Kit (60-8519)

All the tools you need to upgrade your XMODS Custom RC.

### Rechargeable NiMH Battery Upgrade (23-350)

Save time and money over regular alkaline batteries with a battery charger and rechargeable AAA NiMH batteries.

### Body Kits (F-150: 60-8570, Hummer: 60-8571, Hummer to F-150: 60-8576)

Change the body of your XMODS with different bumpers, skirts, hoods, and spoilers. With the 60-8576 kit, you can transform the Hummer starter kit to the F-150. Visit your local RadioShack store or log on to [www.radioshack.com](http://www.radioshack.com) and check out the latest body kits.



[www.xmodsRC.com](http://www.xmodsRC.com)

19

## Important!

The XMODS Truck series is designed for indoor use only. Do not let dirt, water, or other foreign objects get inside.

**Notes:** The following Upgrade Kits are for Evo series only and cannot be used for the Truck.

- 60-8503 Foam Tire and Wheel Upgrade
- 60-8504 Performance Tire Upgrade
- 60-8526 Custom Wheel Upgrade
- 60-8536 Aluminum Wheel Upgrade
- 60-8538 Drifting Kit
- 60-8556 High Performance Suspension & Steering Upgrade
- 60-8562 All Wheel Drive Upgrade
- 60-8564 Race Suspension Tuning Upgrade



## Care

Keep your XMODS dry; if it gets wet, wipe it dry immediately. Use and store your XMODS only in normal temperature environments. Running your XMODS continuously for long periods can generate high heat levels. Handle your XMODS carefully and do not drop it. Keep your XMODS away from dust and dirt. You can wipe it with a damp cloth occasionally to keep it looking new.

Modifying or tampering with your XMODS' internal components can cause a malfunction and might invalidate its warranty and void your FCC authorization to operate it. If your XMODS is not performing as it should, take both the truck and the controller to your local RadioShack store for assistance.

## The FCC Wants You to Know

This device complies with Part 15 of the FCC Rules. Operation is subject to the following two conditions: 1) This device may not cause harmful interference, and 2) this device must accept any interference received, including interference that may cause undesired operation.

This equipment has been tested and found to comply with the limits for a Class B digital device, pursuant to Part 15 of the FCC Rules. These limits are designed to provide reasonable protection against harmful interference in a residential installation. This equipment generates, uses and can radiate radio frequency energy and, if not installed and used in accordance with the instructions, may cause harmful interference to radio communications. However, there is no guarantee that interference will not occur in a particular installation. If this equipment does cause harmful interference to radio or television reception, which can be determined by turning the equipment off and on, the user is encouraged to try to correct the interference by one or more of the following measures:

- Reorient or relocate the receiving antenna.
- Increase the separation between the equipment and receiver.
- Connect the equipment into an outlet on a circuit different from that to which the receiver is needed.

If you experience problems with your truck or transmitter, take it to your local RadioShack store for assistance or visit [www.RadioShack.com](http://www.RadioShack.com) to locate a store near you.

