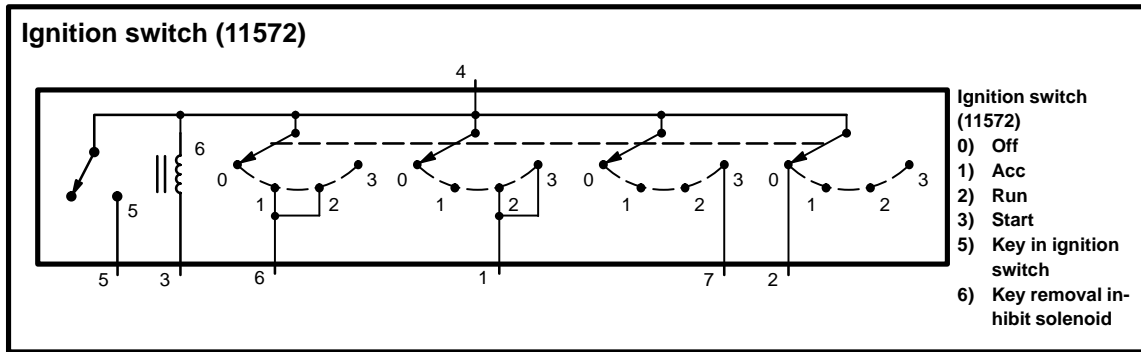
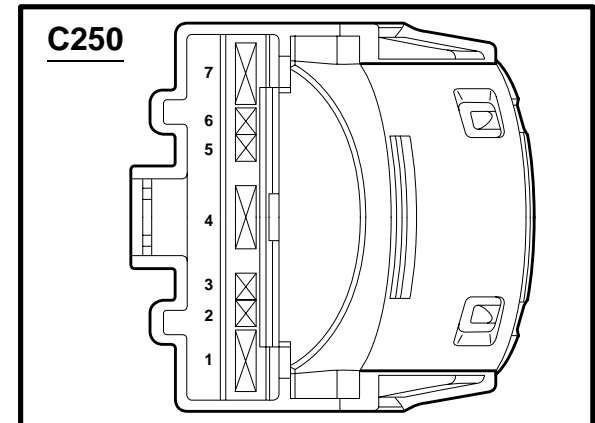


Ignition switch (11572)

Schematic



Terminal locations



Component testing procedure

Circuit to test	Connect self-powered test light or ohmmeter to terminals	Move switch to these positions	A good switch will indicate
Starter relay circuit	4 and 7	Off	Open circuit
		Acc	Open circuit
		Run	Open circuit
		Start	Closed circuit
Run/Start power circuit	4 and 1	Off	Open circuit
		Acc	Open circuit
		Run	Closed circuit
		Start	Closed circuit
Run/Acc power circuit	4 and 6	Off	Open circuit
		Acc	Closed circuit
		Run	Closed circuit
		Start	Open circuit
Key reminder circuit	4 and 5	Key In	Closed circuit
		Key Out	Open circuit
Key removal inhibit circuit	4 and 3		65–75 Ω