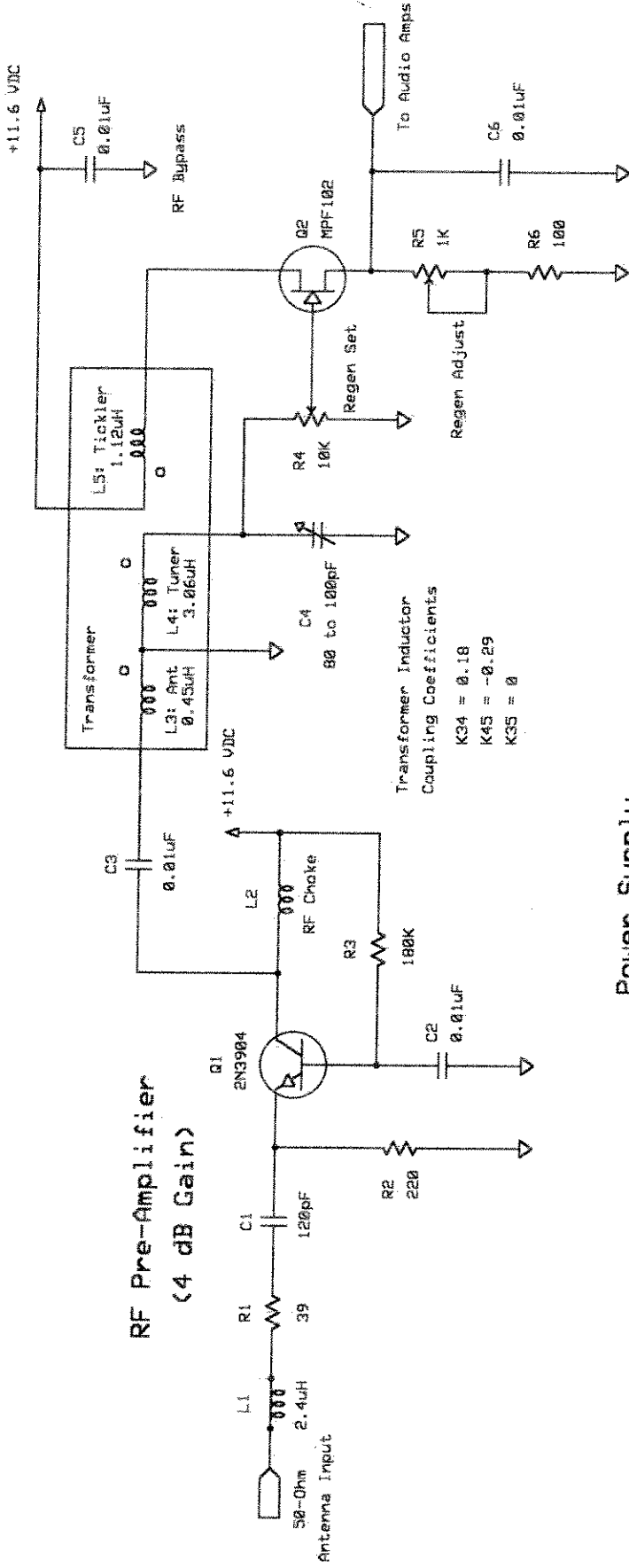
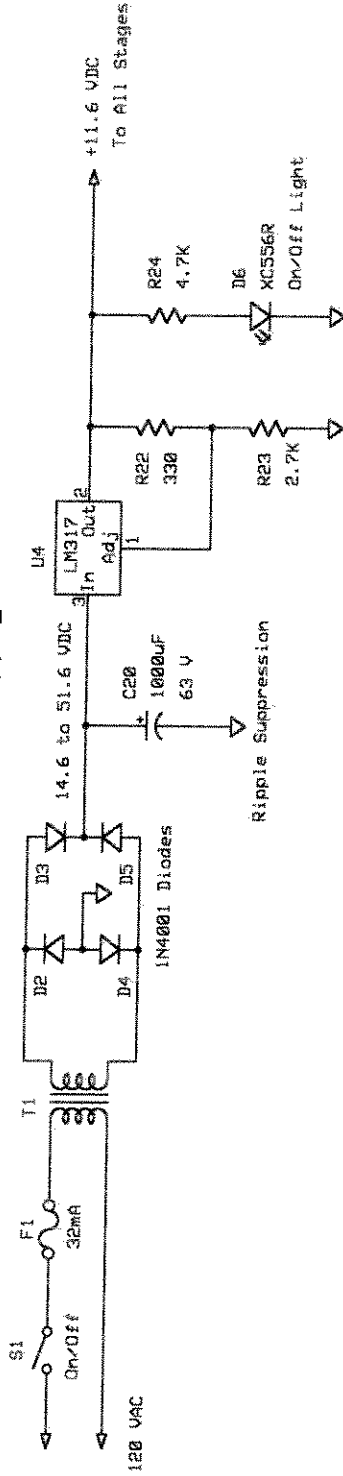


# Tuner-Detector



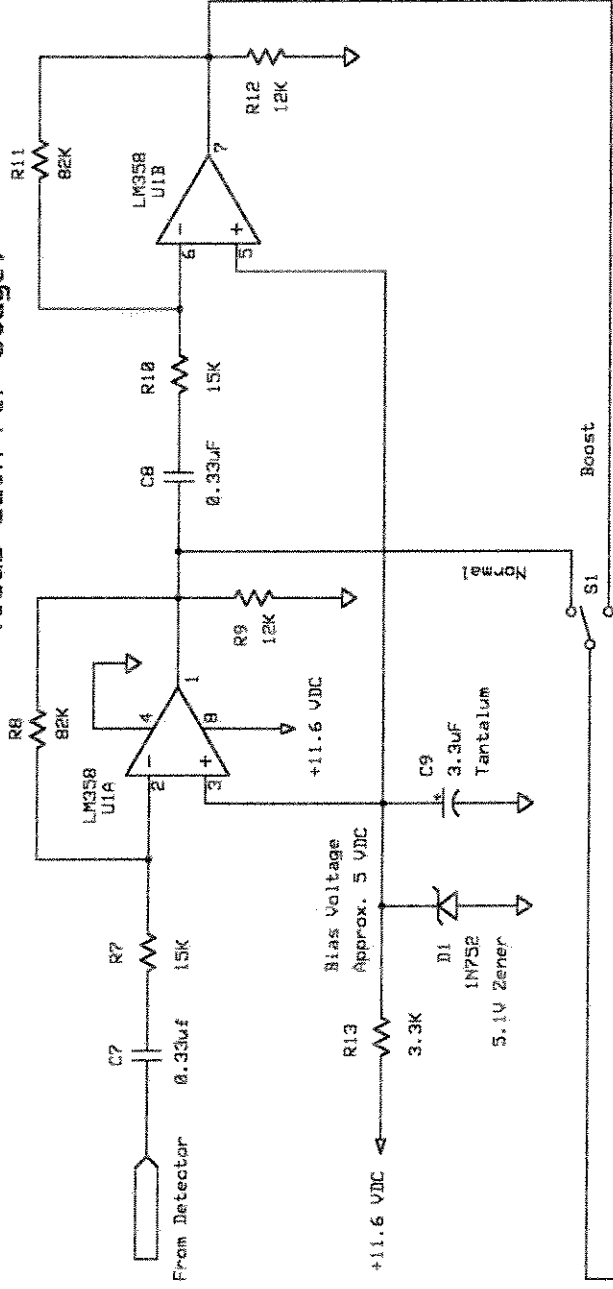
# Power Supply



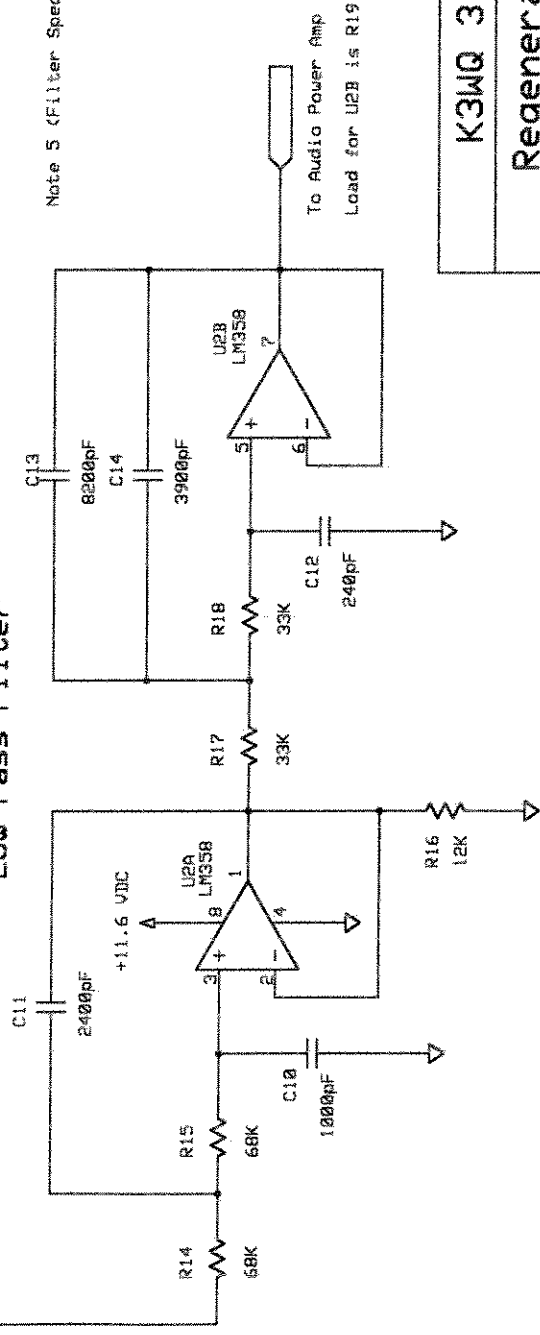
- NOTE 1: All resistors are labeled in Ohms.
- NOTE 2: All resistors are 1/4 Watt.
- NOTE 3: Chassis ground must be connected to earth ground for proper operation of antenna.
- NOTE 4: Tuning range approximately 9.1 to 10.1 MHz

<b>K3WQ 31-Meter Band</b>	
<b>Regenerative Receiver</b>	
D.M. Drumheller	Rev 1
October 2004	Page 1 of 3

### Pre-Amplifiers (15dB Gain Per Stage)



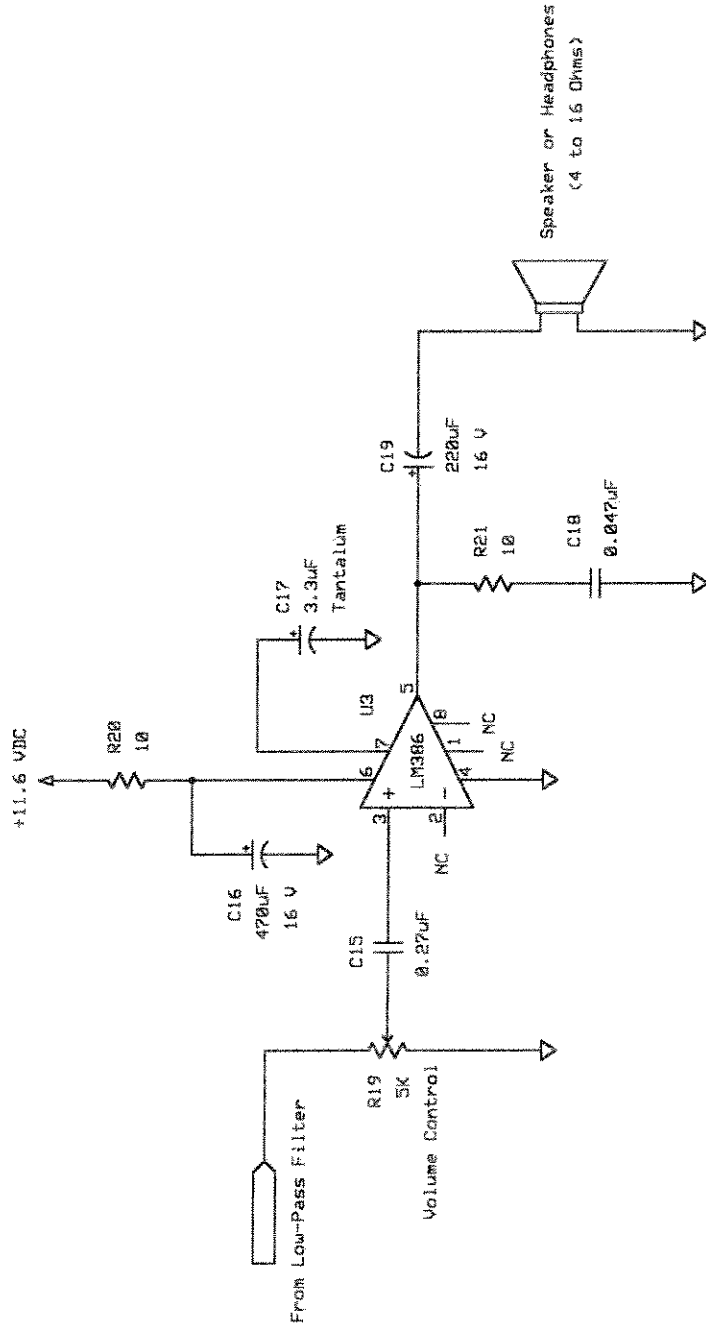
### Low-Pass Filter



Note 5 (Filter Specs):  
 Four-Pole Chebyshev  
 1 dB Passband Ripple  
 3000 Hz 3-dB Point  
 3175 Hz 6-dB Point  
 0 dB Gain

<b>K3WQ 31-Meter Band</b>	
<b>Regenerative Receiver</b>	
Rev 1	Page 2 of 3
D.M. Drumheller	October 2004

# Audio Power Amplifier (26 dB Maximum Gain)



NOTE 6: R20 and C16 prevent audio oscillation.

NOTE 7: R21 and C19 prevent HF oscillation.

K3WQ 31-Meter Band

Regenerative Receiver

D.M. Drumheller Rev. 1 October 2004 Page 3 of 3

# TRANSFORMER

