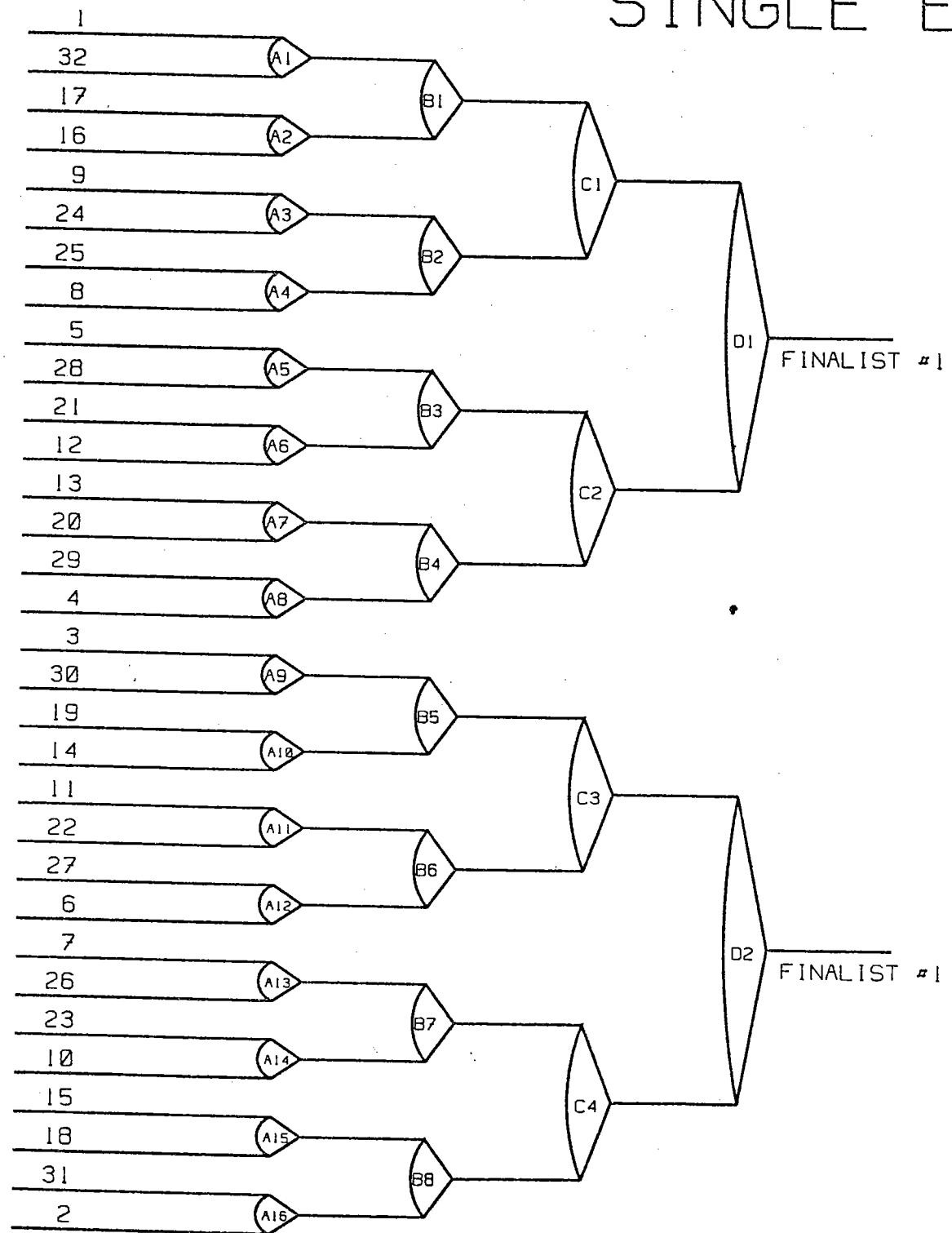


32 FIGHTER -- SINGLE ELIMINATION



FINALS

Three horizontal lines representing the final results of the tournament. Each line ends with a diamond-shaped box containing a label: E1, E2, and E3.

INSTRUCTIONS

- 1) WRITE THE FIRST FIGHTER'S NAME ON THE LINE LABELED '1'. THE SECOND FIGHTER ON THE LINE LABELED '2'. ETC.
- 2) ANY UNUSED LINES ARE BYES.

COPYRIGHT 1993 BY JOHN E. KASPER
(JOHAN VON TRAUBENBERG)
COPIES MAY BE MADE BY ANYONE, BUT
NO FEE, EXCEPT FOR ACTUAL COSTS OF
PUBLICATION AND SHIPPING MAY BE
CHARGED.

ADDITIONAL SIZES, ETC. MAY BE
OBTAINED FROM ME AT:

716 N. ST. CLAIR ST.
PITTSBURGH, PA 15206.

COPIES MAY BE FREELY MADE BY ANYONE, BUT NO FEE. EXCEPT FOR ACTUAL COSTS OF REPRODUCTION AND SHIPPING, MAY BE CHARGED.

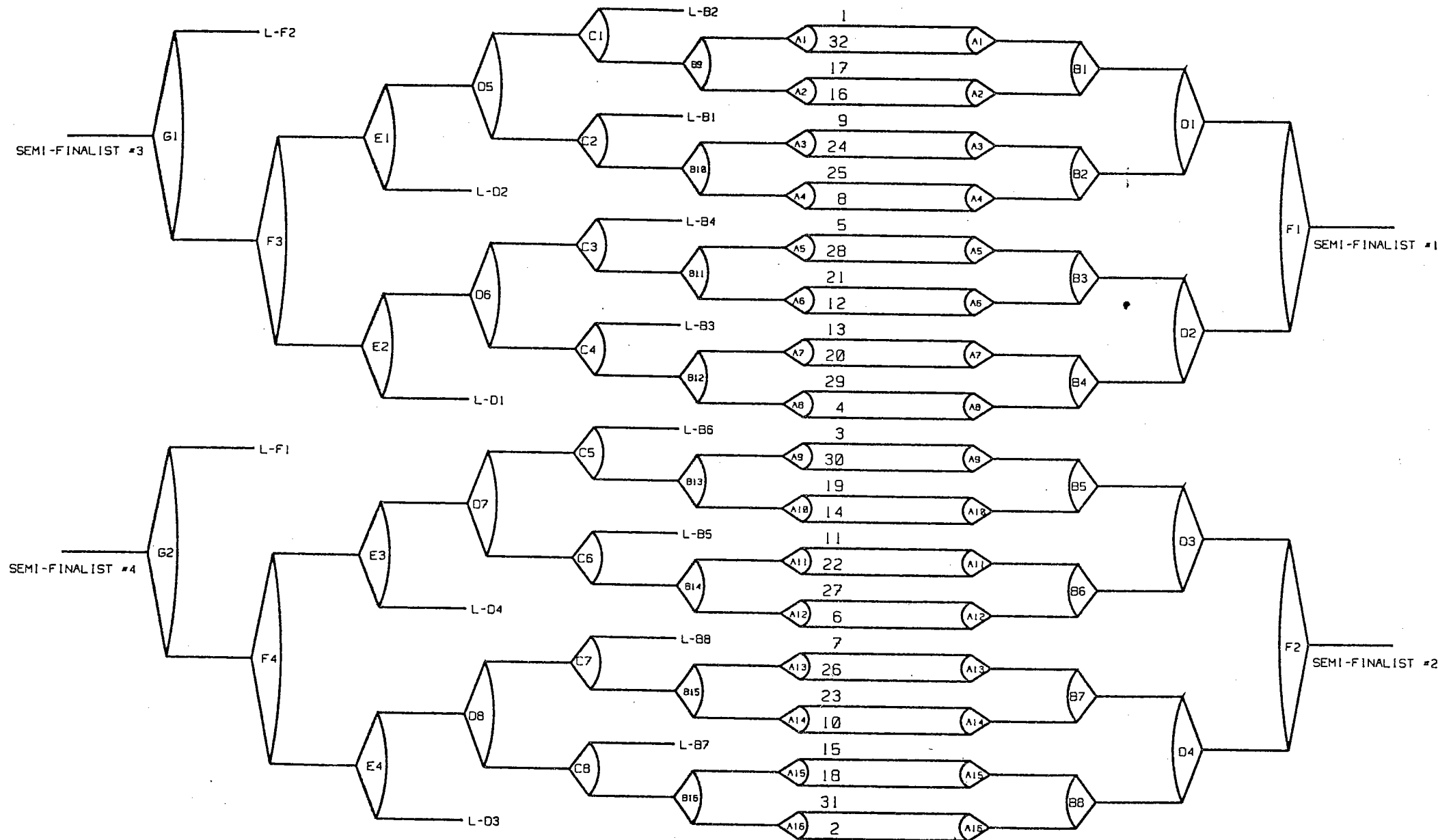
FOR OTHER SIZES, ETC. CONTACT ME AT: 716 N. ST. CLAIR ST., PITTSBURGH, PA 15206.

INSTRUCTIONS

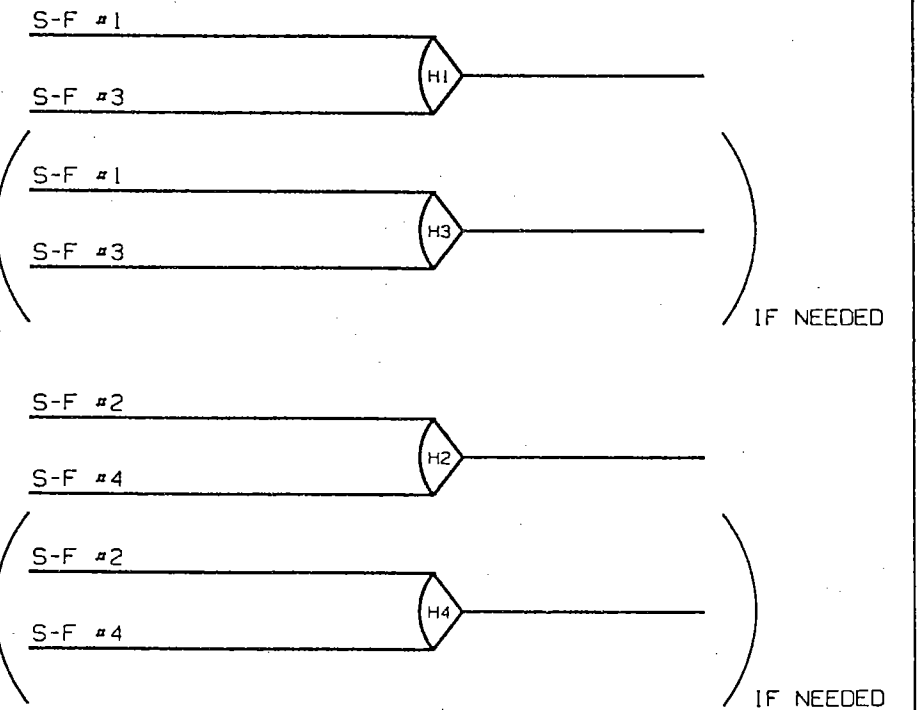
- 1) WRITE THE FIRST FIGHTER'S NAME ON THE LINE LABELED '1'. THE SECOND FIGHTER ON LINE '2', ETC.
- 2) ANY UNUSED LINES ARE BYES.
- 3) 'L-B2' INDICATES THE LOSER OF BOUT B2.

- 4) IN THE SEMI-FINALS. IF THE FIGHTER FROM THE LOSER'S LIST WINS THE FIRST BOUT. A SECOND MUST BE FOUGHT. THE LOSER OF THAT BOUT IS ELIMINATED.
- 5) IN THE QUARTER-, SEMI-, AND FINALS. REPEAT PAIRINGS MAY OCCUR.

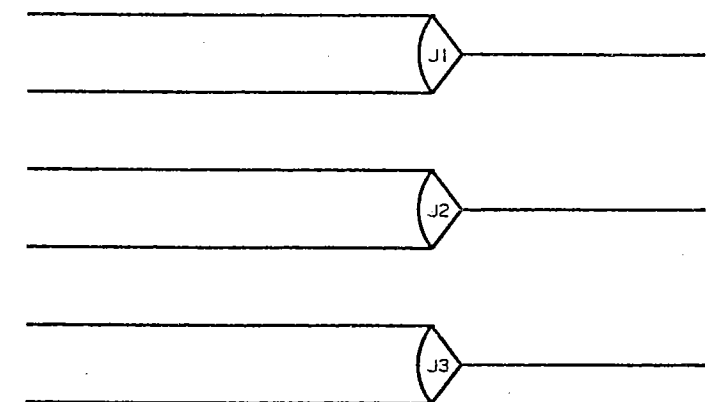
← LOSERS' LIST | WINNERS' LIST →



SEMI-FINALS

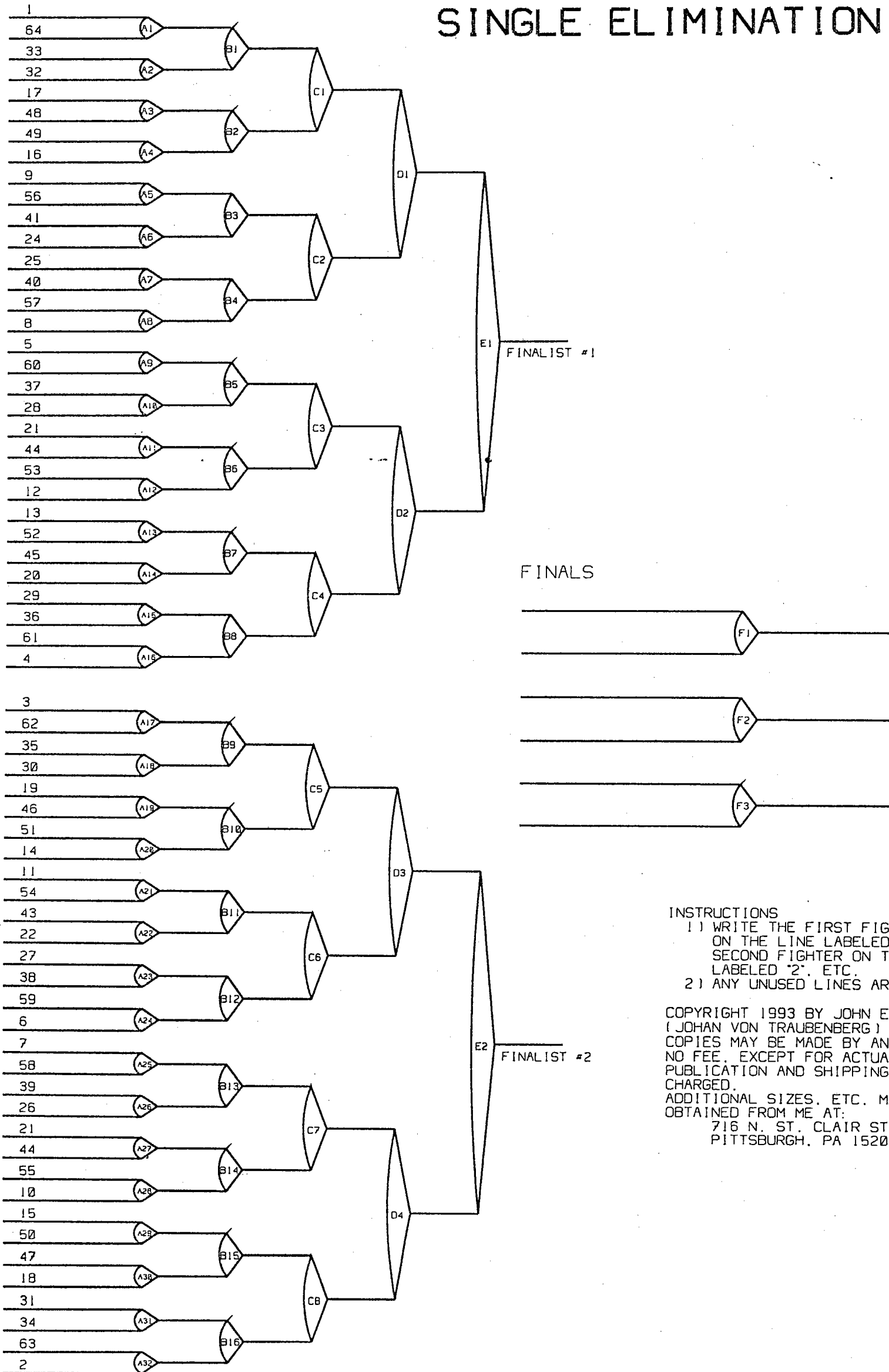


FINALS



32 FIGHTER -- DOUBLE ELIMINATION

64 FIGHTER -- SINGLE ELIMINATION

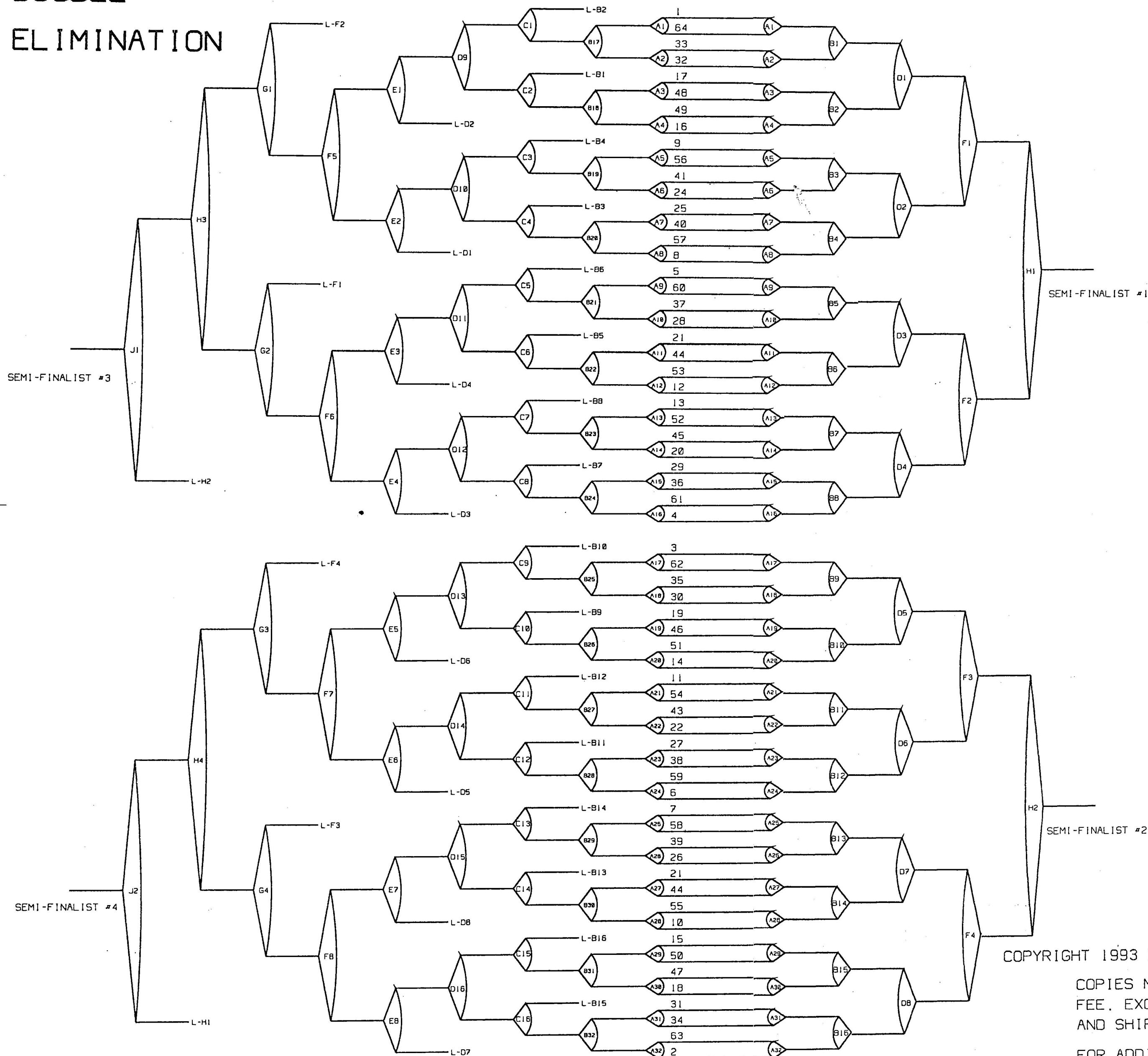


INSTRUCTIONS
 1) WRITE THE FIRST FIGHTER'S NAME ON THE LINE LABELED '1'. THE SECOND FIGHTER ON THE LINE LABELED '2'. ETC.
 2) ANY UNUSED LINES ARE BYES.

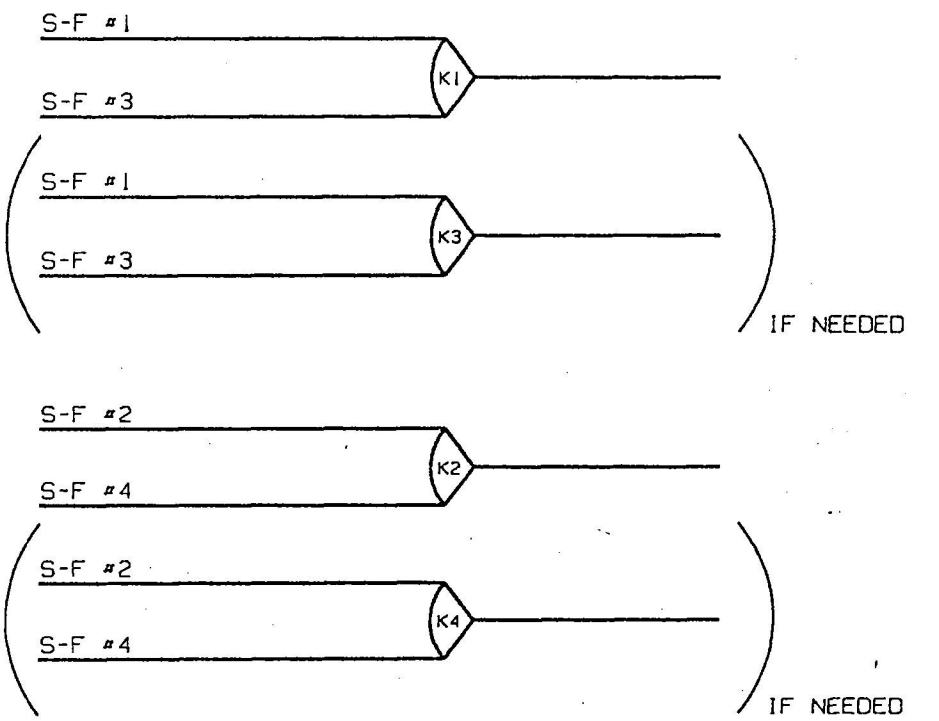
COPYRIGHT 1993 BY JOHN E. KASPER
 (JOHAN VON TRAUBENBERG)
 COPIES MAY BE MADE BY ANYONE, BUT NO FEE, EXCEPT FOR ACTUAL COSTS OF PUBLICATION AND SHIPPING MAY BE CHARGED.
 ADDITIONAL SIZES, ETC. MAY BE OBTAINED FROM ME AT:
 716 N. ST. CLAIR ST.
 PITTSBURGH, PA 15206.

64 FIGHTER --
DOUBLE
ELIMINATION

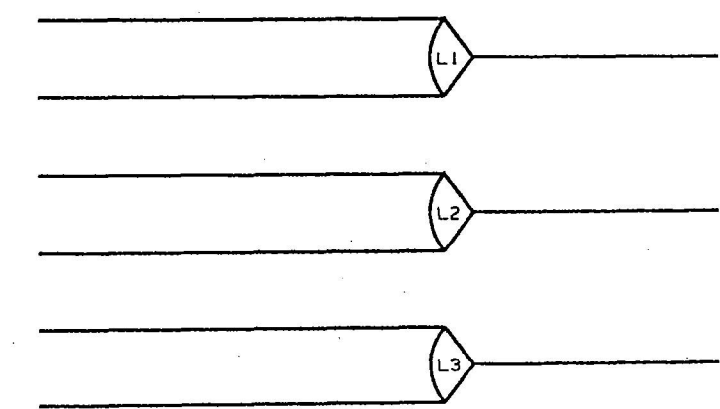
← LOSERS' LIST | WINNERS' LIST →



SEMI-FINALS



FINALS



INSTRUCTIONS

- (1) WRITE THE FIRST FIGHTER'S NAME ON THE LINE LABELED "1". THE SECOND FIGHTER'S NAME ON THE LINE LABELED "2". ETC.
- (2) ANY LINES NOT USED ARE "BYES".
- (3) RUN THE BOUTS IN ALPHABETICAL, THEN NUMERICAL ORDER.
- (4) "L-B2" INDICATES THE "LOSER OF BOUT B-2".
- (5) IN THE QUARTER-FINALS (LOSER'S LIST ONLY), THE SEMI-FINALS, AND FINALS, THERE MAY BE REPEAT PAIRINGS.
- (6) IN THE SEMI-FINALS, IF THE FIGHTER FROM THE LOSER'S LIST WINS THE FIRST BOUT, A SECOND BOUT MUST BE FOUGHT TO DETERMINE WHO ADVANCES.

COPYRIGHT 1993 BY JOHN E. KASPER (JOHAN VON TRAUBENBERG)

COPIES MAY BE FREELY MADE BY ANYONE, BUT NO FEE, EXCEPT FOR ACTUAL COSTS OF REPRODUCTION AND SHIPPING MAY BE CHARGED.

FOR ADDITIONAL SIZES, ETC. CONTACT ME AT:
716 N. ST. CLAIR ST., PITTSBURGH, PA 15206.