

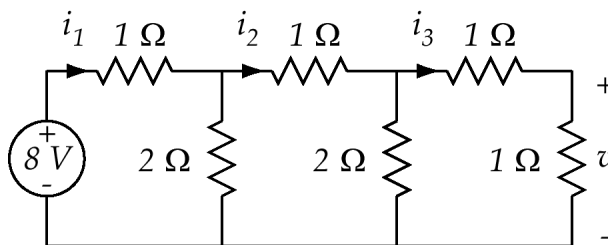
Inter American University of Puerto Rico  
Bayamón Campus  
School of Engineering  
Department of Electrical Engineering

ELEN 3301 – Electric Circuits I

Problem Set 2

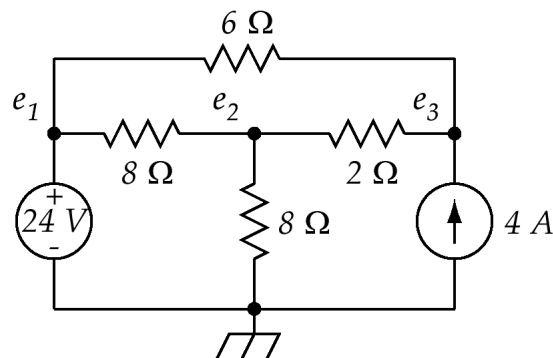
*Due Wednesday, September 1*

**Problem 1:** Find currents  $i_1$ ,  $i_2$ ,  $i_3$  and voltage  $v$  in the following circuit:

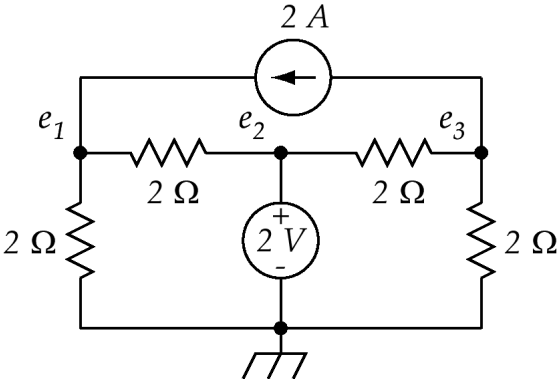


**Problem 2:** Find node voltages  $e_1$ ,  $e_2$  and  $e_3$  for the networks shown below using the node method (Note that the ground node has been chosen):

(A)



(B)



**Problem 3:** Find voltages  $v_1$ ,  $v_2$  and  $v_3$  in the following circuit using the node method:

