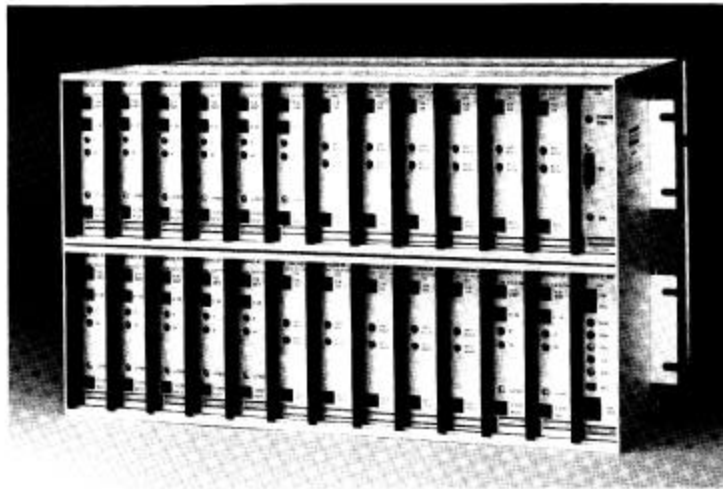


ROUTE-24



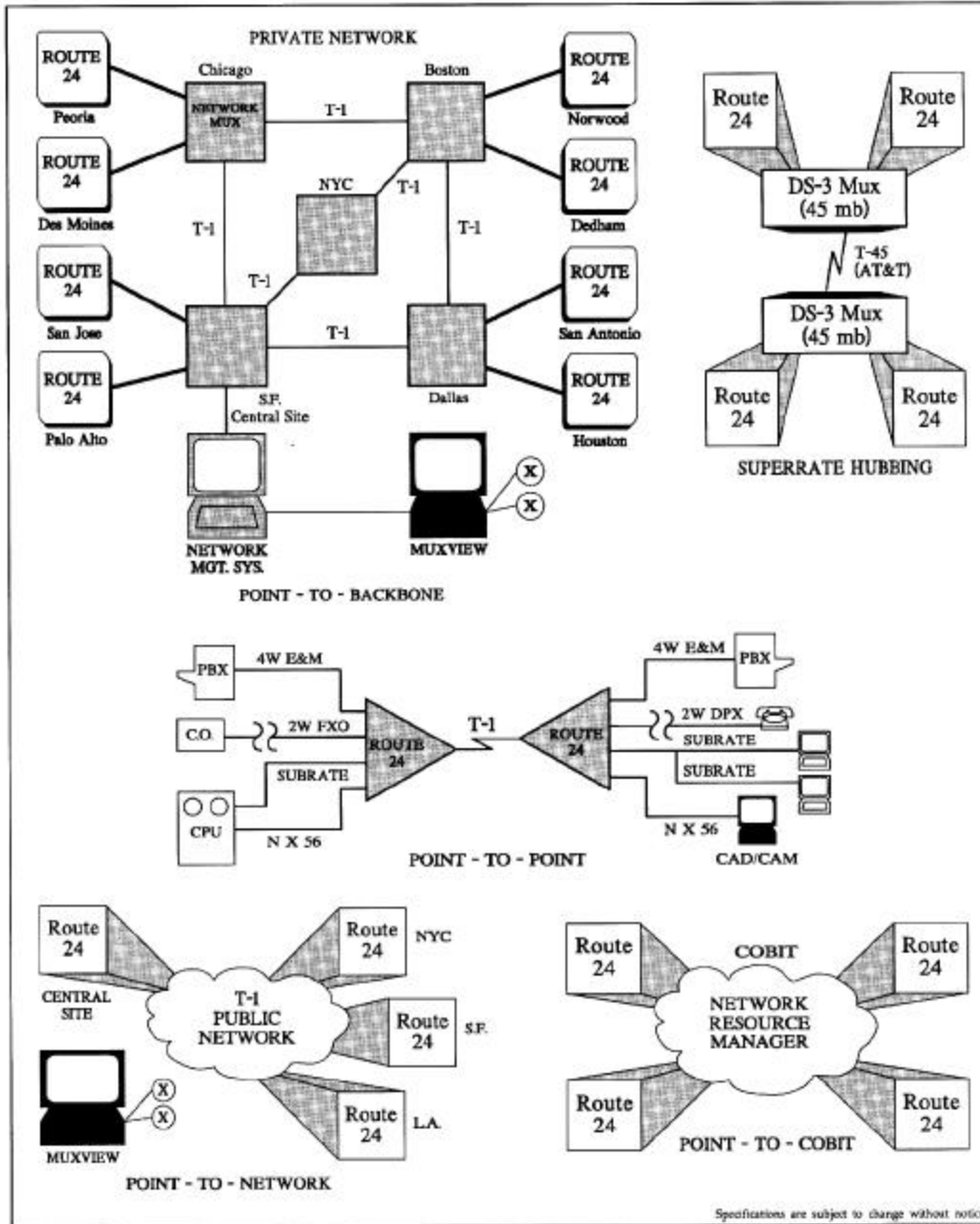
**PUBLIC NETWORK COMPATIBLE AND
COMPLIES WITH PUB 43801**

- ▶ **Compatible with M-24, ACCUNET T1.5, SWITCHED 56, MEGACOM, MEGACOM 800, SRDM, and DDS**
- ▶ **Supports Fractional T1 Services**
- ▶ **Network Management System Control Includes System Diagnostics**
- ▶ **Backward Compatible with Telco Systems' DCB-24**
- ▶ **Extended Superframe and 64 Clear Channel Capability (B8ZS)**
- ▶ **Bandwidth Allocation**
- ▶ **Time-of-Day Reconfiguration**

TELCO SYSTEMS

NETWORK ACCESS CORPORATION

TYPICAL APPLICATIONS



DESCRIPTION

Telco Systems presents the smart choice in intelligent T-1 multiplexers: Route-24™ and the MuxView® Network Management System. Both are cost-efficient and easy-to-use, which enables network designers and communications planners to introduce intelligent system management tools to their telecommunications environment.

Route-24 is based on our DCB-24 Digital Channel Bank, a proven design that has been successfully utilized in over six thousand T-1 installations. Telco Systems has specialized in multifunction voice and data interfaces to cover almost any application, such as 4W E&M, 2W FXO, 2W FXS, 56/64 kb/s x N, and subrate data. Route-24 complies with PUB 43801 so that it is compatible with the public network. Migration from DCB-24 to Route-24 is simple - by just replacing the line interface (LIU) in the DCB-24 with a smart LIU and doing minimal rewiring, the T-1 multiplexer takes on a new dimension without sacrificing network compatibility.

The intelligence of Route-24 resides not only in the LIU but also in the channel units. This is done to insure simplicity of design and network compatibility. The smart LIU is a software-controlled device that can be employed in a terminal application. Route-24 can function in either the D4 or extended super frame (ESF) format and supports AMI or B8ZS line coding. With an integral 212A modem, the unit is remotely accessible, allowing testing such as loopbacks and remote provisioning.

Route-24 also offers several types of "smart" channel units that have the capability local or remote configuration control. All intelligent channel units use nonvolatile memory to store the configuration. In the event of a power failure the units will be automatically restored to their individual specifications upon power recovery. As an added feature, the smart channel units can be monitored through Systems' MuxView management system.

Route-24 has smart and non-intelligent data channel units that accommodate synchronous, asynchronous, DDS-compatible, switched-56kb/s, and SRDM services. Software-selected data rates are also possible on the smart asynchronous and synchronous channel units.

The high speed data applications can use the 56/64 kb/s x N channel unit to dynamically allocate bandwidth from 56 kb/s to 1.536 Mb/s. This also provides access to the new fractional T-1 services. The channel unit supports V.35, RS-422/449, and RS-232 interfaces, and is protocol independent. The subrate data multiplexer (SRDM) channel unit can segment a 64-kb/s channel into twenty 2.4-kb/s, ten 4.8-kb/s, five 9.6-kb/s, or two 19.2-kb/s synchronous channels. Route-24 is fully compatible with subrate data multiplexing, PUB 54075.

Telco Systems is dedicated to solving one of the primary concerns of network supervisors: the control of their networks. Telco Systems offers the MuxView management system as an effective solution to

enhance network control. The system is a graphics-based, mouse or keyboard-driven program using a series of icons and user-friendly screens to enhance the functionality of the software.

From MuxView, the network supervisor can perform local and remote diagnostics, reconfigure channel units, access ESF performance monitoring, and examine statistical reports. Also, MuxView constantly monitors the modem in the LIU for incoming alarm calls. MuxView has multilayered password protection to ensure that the network supervisor controls access to the system.

Telco Systems offers the best features/price ratio in the industry, with thirty-day delivery at receipt of order, and a dedicated and knowledgeable customer support team. Route-24 is so well-designed and engineered that we back the product with a FIVE YEAR WARRANTY.

So when your network management plans call for an intelligent multiplexer, travel to T-1 with Route-24 and Telco Systems.

MEGACOM, MEGACOM800, M-24, ACCUNET T1.5, SWITCHED 56, and DDS are trademarks or registered trademarks of AT&T. ROUTE-24 and MUXVIEW are trademarks of Telco Systems.

