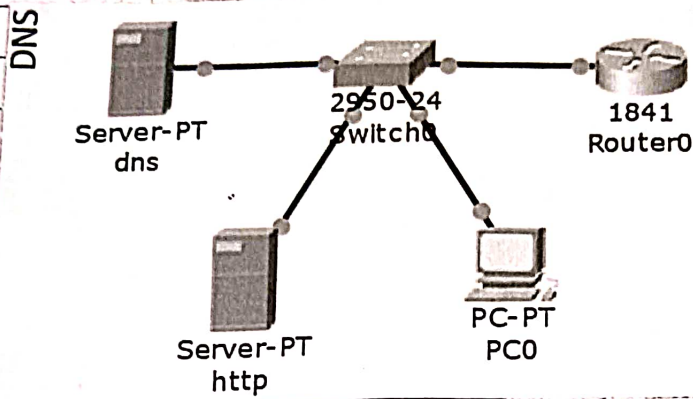


PRACTICAL NO. 7

Aim:- Configure DNS server.



Step 1:- Configure Router 0.

click on Router 0 → go to Config tab → click on fast Ethernet 0/0 and fill the data: Ip Address - 192.168.10.1,

Subnet mask - 255.255.255.0.

(Do not forget to select the check box port status).

Step 2:- Configure PC 0.

click on PC 0 → go to desktop → open Ip Configuration then fill the values Ip Address - 192.168.10.20, subnet mask - 255.255.255.0, default Gateway - 192.168.10.1.

Step 3:- Configure DNS server 0.

click on Server 0 → go to desktop tab → click on Ip Configuration and fill the values Ip Address - 192.168.10.20,

Subnet mask - 255.255.255.0, Default gateway - 192.168.10.1

Step 4:- Configure HTTP server 1.

Click on server 1 → Go to desktop tab → click on IP configuration and fill the values Ip Address - 192.168.10.30
Subnet mask - 255.255.255.0, default gateway - 192.168.10.1

Step 5:- DNS-server-0.

Click on DNS-server-0 → go to services → click on DNS service then fill the values Name:- syit.edu.in, Address - 192.168.10.20
[click add button after filling details].

Step 6:- HTTP-server-1.

Click on HTTP-server-1 → go to services → click on HTTP service → click on → index.html → edit.html → save.

Step 7:- client.

Click on pc1 → Go to desktop tab → Select web browser → type your domain name (syit.edu.in) in URL add click on Go to display your website.

