

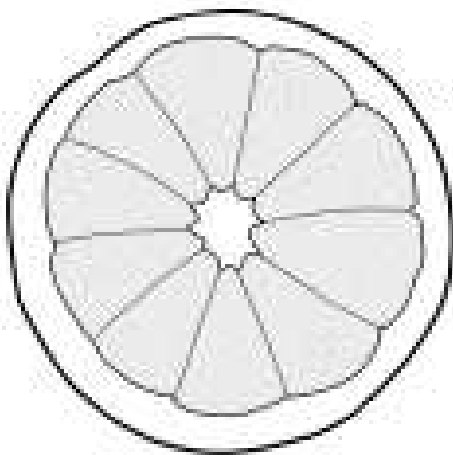
Name: _____

o is for  octagon

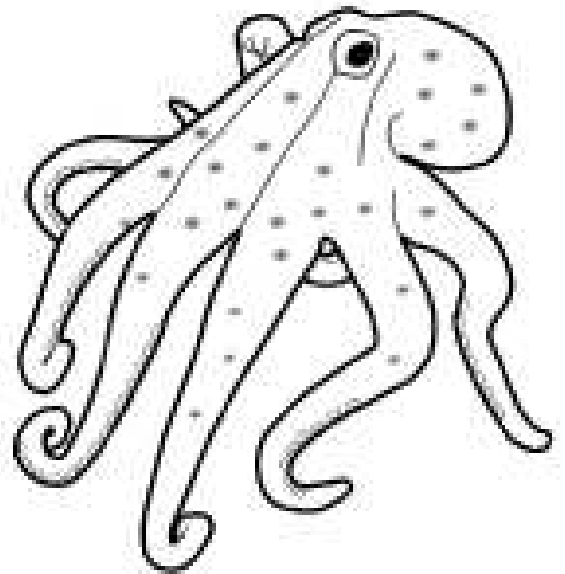
Trace over the O sounds then write some of your own.

O O O O O O O

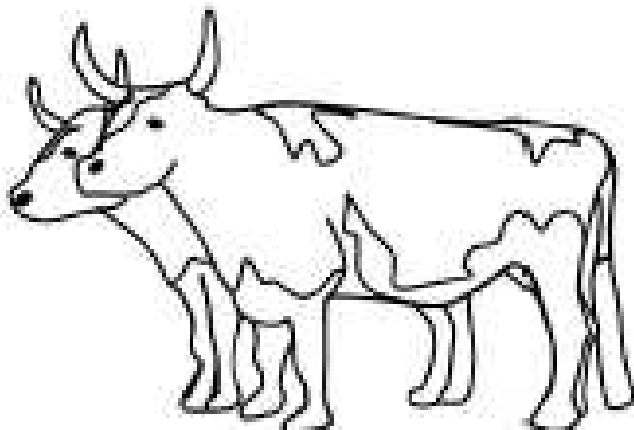
Write the O sounds at the beginning of these words.



__range



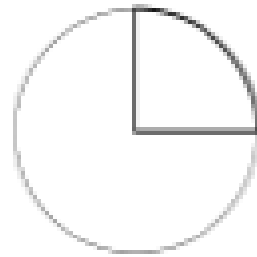
__ctopus



__xen

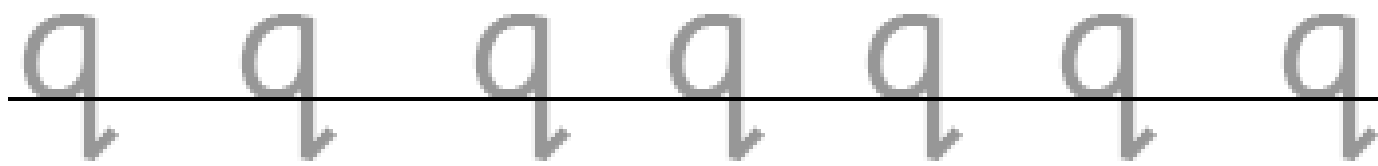
Name: _____

q is for

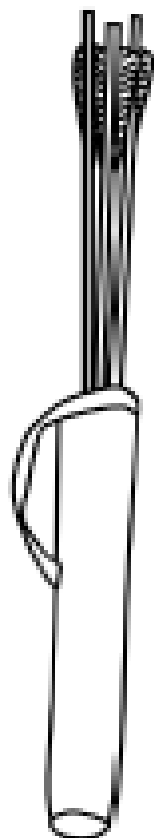


quarter

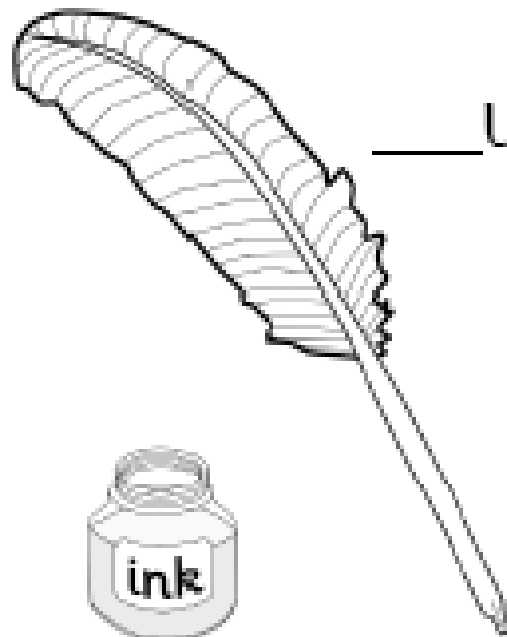
Trace over the **q** sounds then write some of your own.



Write the **q** sounds at the beginning of these words.



__uiver



__uill

__ueen



Name: _____

s is for



Trace over the **S** sounds then write some of your own.

S S S S S S S

Write the **S** sounds at the beginning of these words.

