

1 March 2014

Dr Eng. Jan Pająk

"Web pages of Jan Pająk - [immortality.pdf](#)"

(i.e. a PDF brochure with the content of web page named [immortality.htm](#) and entitled

"How we can accomplish immortality and everlasting life"

Wellington, New Zealand, 2014,

ISBN 978-1-877458-69-9.

Copyright © 2014 by Dr Eng. Jan Pająk.

All rights reserved. No part of this brochure may be reproduced, stored in a database or retrieval system, transmitted, or distributed in any form or by any means, electronic, mechanical, photocopying, recording, or otherwise, without the prior written permission from the author or a person legally authorized to act on his behalf. From the obligation of getting such a written permission are only released those who would like to prepare a single copy of this monograph for their personal use oriented towards the increase of their knowledge and who fulfil the condition that they will not use the copy prepared for any professional purpose or for accomplishing material gains, and also that they copy the entire brochure - including the title page, all items, all illustrations, and all enclosures.

Date of the latest update of the web page presented in this brochure is provided above in the top-left corner. (Note that in case of having access to several copies of this brochure, it is recommended to read the copy which has the latest date of amendment.)

This PDF brochure publishes the text of the web page authored by Dr Eng. Jan Pająk, indicated in the title of it. In turn the author's web pages are forms of fast reporting to the readers results of scientific research accomplished by the author of this brochure. The author is aware, that this research, and the results, are unique, as no-one in the entire world undertook earlier research of topics elaborated in this brochure. Therefore ideas which this brochure presents are the intellectual property of the author of this brochure. All ideas, theories, inventions, discoveries, explanations, descriptions, etc., published here, which have documentary or evidential value, are presented accordingly to standards applicable for scientific publications (reports). A special attention the author has given to the requirement of repetitiveness, i.e. that on the basis of this brochure any professional scientist or hobby investigator who would like to verify, repeat, or extend the author's research should be able to recreate his work and arrive at the same or very similar results and conclusions.

This brochure is another one from a series of similar brochures in PDF, offered free of charges to interested readers through the totaliztic web page named [text 11.htm](#) - which disseminates PDF versions of most significant and most widely read web pages by the author. The topic of this brochure is represented also in the newest [monograph \[1/5\]](#) with following editorial details:

Pająk J.: "Advanced Magnetic Devices",
Monograph, Wellington, New Zealand, 2007, 5th edition,
in 18 volumes, ISBN 978-1-877458-01-9.

Contact addresses to the author valid in 2013 – i.e. during the preparation of this brochure:

[Dr Eng. Jan Pająk](#)

P.O. Box 33250, Petone 5046, NEW ZEALAND

Email: janpajak@gmail.com

In spite that the official human science researches the reality around us since the times of Archimedes, it still has NOT managed to discover that the reality around us is governed by two drastically different kinds of time. (In all publications by the author, this official science is called the old "atheistic orthodox science", so that one could clearly distinguish it from the new "totaliztic science" in the spirit of which this web page is written.) One of these two different kinds of time, in totaliztic publications called the "irreversible absolute time of universe", is the time in which lives only our God. This time exists in nature, elapses in a smooth manner, and in our physical world it affects only the inanimate matter (i.e. non-living chemical elements, minerals, rocks, fossils, bones of dinosaurs, coal, etc.) - which are ageing according to its speed of elapse. The old official human science believes that this is the only time that exists in the entire universe. However, the new "totaliztic science" has discovered,

that people actually live in a completely different time, in publications by the author called the "reversible software time". That software time does NOT exist in nature, so it has been artificially pre-programmed by God and introduced to use during the biblical Great Flood - as it is explained in items #C3, #C4 and #C4.1 of this web page. It elapses in short jumps. (The actual existence of "jumps" of this artificial "reversible software time" in which we live is revealed to every person by the popular phenomenon described in item #D1 from this web page.) Because of the existence of long gaps between subsequent such jumps, the elapse of this artificial software time is about 365 thousands of times slower than the elapse of the natural "irreversible absolute time of the universe". To the ageing in this artificial jumping time are subjected humans and all the living creatures having DNA. It also allows for the building of my "Time Vehicles" described on this web page. Differences in speeds of elapse of

these two kinds of time from our physical world are so large, that many people notice with naked eyes e.g. astonishingly rapid ageing of rocks - see item #C4.1 from this web page. The fact of existence and work in the physical world of these two drastically different kinds of time, explains also many mysteries about which so-far people conducted disputes and wars, for example, explains why the Bible and the history reveal that God created mankind only about 6,000 years ago, while rocks and fossils (e.g. bones of dinosaurs or coal) date back to millions of years. Why people have a "deja vu". Why **prophecies** exist and become fulfilled. Why God knows the future. Etc., etc. This web page presents basic explanations and body of evidence for practically all the above topics and matters.

Personally, I am most surprised that today's scientists with parrots' inane reverently repeat baseless speculations of Einstein on the "irreversible absolute time of the universe" which in our physical

world rules only over the ageing of inanimate matter, while at the same time they completely overlook the entire ocean of irrefutable evidence that our physical world is governed simultaneously by as many as two kinds of time described above, and that people actually live in the totally different than rocks and fossils, "reversible software time" - which is artificially created by God and which elapses in jumps. After all, there is such huge body of evidence for the existence and operation of this artificial software time which elapses 365 thousands of times slower than the natural absolute time, that just indicating the most important categories of this evidence took on this web page the whole "part #D" and yet further sub-item #C4.1. In fact, there is enough of this evidence, that after ordering it accordingly to the reliable method of proving called the "method of matching attributes" it suffices for formulating the "formal scientific proof" that should be binding for everyone, even

for the most thoughtless scientists.

The length of life and the inevitability of death are the most important challenges faced by humanity, which are associated with time and with the passage of time. The majority of us believe, that extending the life, defeating the death and accomplishing immortality will be obtained through progress in medicine. They do NOT see, however, that medical extending of lives requires the undertaking of immoral activities described in item #B2 below. Furthermore, judging from the speed of such medical progress, it can require even several thousands of years of research before medical fraternity finds a way to defeat deaths and accomplish the access to immortality. Even then though, only a few individuals could use it. After all, it would require making highly immoral decisions (e.g. taking lives from other people or creatures to extend our own life). Furthermore, as such, it would also be very costly, and only a few people

could afford it. On the other hand, the philosophy called totalizm explains to us, that actually there is also a morally correct path to immortality, and that we could live forever already at the present level of knowledge and science. This is because immortality can be also accomplished in a moral manner with the use of technology - means through the construction of technical devices called here Time Vehicles. In turn when we have such devices, then **each time when we arrive to the old age we could repetitively shift our time back to years of the youth**. In this way everyone could keep extending his or her life infinitively long. But to get access to these Time Vehicles, we need to start accepting that such devices are technologically feasible, and we need to start building these devices as soon as we can. To be honest, if I received the assistance that is required from the very beginning of my research, means from 1985 - when I discovered how time works and when I invented Time

Vehicles and developed their design, then even if I would work just alone on the development of these vehicles, while the provided assistance limited itself just to financing and manufacturing subsequent prototypes, research stations, laboratories, measuring equipment, etc., still I would manage to complete these vehicles already a long time ago - as about these wasted chances I am writing more comprehensively in items #J1 to #J3 of the web page named magnocraft.htm. After all, since 1985 tens of years have elapsed. In turn, in such a case, already a long time ago the humanity would defeat deaths, while each one of us would already have the access to immortality - thus being able to live forever. As it turns out, constructing these Time Vehicles is relatively simple. But in order to accomplish it, we all need to change our attitudes and manners of thinking. We need to start thinking in categories of the philosophy of [totalizm](#). For example, we must understand that our universe is so

designed by God that "everything that we can think of, we can also accomplish" - only that for it we need to fulfil specific conditions. This web page is to point out for us such a correct direction in our thinking regarding the completion of my "Time Vehicles" and the technical access of humans to immortality through the repetitive shifting of our time back to years of our youth.

Part #A: Introductory information of this web page:

#A1. What are goals of this web page:

Motto: "The first step towards the earning of 'immortality' is to learn what it is all about and what laws apply to it."

The main goal of this web page is an attempt to realise to readers that the accomplishment of immortality is NOT so difficult as we may believe e.g. on the basis of present state of medicine. Only that in order to accomplish immortality we firstly need to learn everything about it, then we need to want it, and finally we need to actively help these people whose efforts are bringing it to us (instead of, as so-far, persecute them with the enraged by the human immortality the so-called "**curse of inventors**" - described in more details in item #G1 from the web page [eco_cars.htm](#)).

Other goal of this web page is to explain, that **a simplest and the most sure manner of gaining an access to immortality, boils down to the building of "time vehicles"**. After all, having such "time vehicles" allows that after each arriving to an old age, we can shift back in time to years of our youth and then live again through the entire our life.

To vital goals of this web page belongs also, amongst others, the explanation what actually is this "**reversible software time**" - such explanation is provided in

items #C3, #C4 and #C4.1 from this web page. That is, the explanation what is that particularly unnatural (artificial) kind of time, which elapses in jumps, and in which live and get older all people and all living creatures having DNA, but to which are NOT subjected and age, among others, rocks or fossils (such as "bones of dinosaurs" described in item #H2 from the web page named [god_exists.htm](#)). This web page reveals also how different is this artificially created by God "reversible software time" from the natural **"irreversible absolute time of the universe"** - means it explains that this absolute time flows smoothly with the speed of around 365 thousands of times greater than the speed of jumping software time, that in this absolute time lives only our God, and that in our physical world in this absolute time exist and age all minerals (including rocks, bones of dinosaurs, coal, etc.). That artificial "reversible software time" elapsing in jumps does NOT exist in nature, and thus it had to be artificially pre-programmed by some superior intelligent being with the knowledge and capabilities of our God (similarly like also artificially created have to be a kind of "language" called "DNA code" - due to the artificiality of the features of which in item #G2 from the web page named [god_proof.htm](#) it became possible to formally prove the existence of God). Therefore, the lack of knowledge of the existence and the work of this artificial jumping time in the to-date official human science, deprives the humanity of one of the most illustrative evidence for the existence of God, who, after all, pre-programmed this time. In addition, the ignorance of official science regarding this time, persisting in spite that almost every person saw with own eyes the phenomenon described in item #D1 of this web page, which conclusively proves its existence and work, reveals how erroneous are the monopolistic claims of the official science. After all, by being in error in matters of "time" - which is the most important component of virtually every process from our physical world, the old, official "atheistic orthodox science" is practically also in error in all other matters. No wonder that this old, official science has led the humanity to the situation that we see around us today, and even worse - that it still has NOT stopped to push the mankind toward the abyss and the self-destruction. For more explanations about the artificial characteristics of the "reversible software time" - see also item #C3 from a separate web page named [prophecies.htm](#), item #G4 from the web page named [dipolar_gravity.htm](#), and/or item #H2 from the web page named [god_exists.htm](#). In that item #C3 from the web page "prophecies.htm", and also in item #C4.1 from this web page here, it is worth to give a special attention to the evidential value of noticeable for us, much faster ageing of rocks than people, and thus also much faster ageing of human paintings, marks, footprints, and fossils preserved in rocks and caves. This faster ageing of rock than people stems from the length of gaps between subsequent "jumps" of this discrete time and from multiple repetition of life of people in the "reversible software time" - while simultaneously the rocks age constantly in the "irreversible absolute time of the universe".

Yet another goal of this web page is to realise to the reader, that in reality **it is impossible to truly understand** ourselves, or the reality around us, or actions of our God, without the prior knowledge of how works the **"reversible software time"** in which exist not only ourselves, but also all the living creatures from the entire physical world, that is, without learning how works the

God's "**omniplan**" described in item #C4 of this web page, without learning the design and operation of human "**Time Vehicles**" which in this "reversible software time" allow us to shift back to years of our youth, and also without the learning of most important consequences of our living in such "reversible software time". In other words, it is impossible to fully understand either ourselves, or what surrounds us, or the requirements and conduct of **God**, or selected commandments, terminology and phenomena described in the **Bible**, without the prior learning by us, for example, **(1)**consequences of the phenomena triggered in practically all immoral immortals, and described in item #H3 of this web page under the name of "everlasting hell"; **(2)**without prior learning of the requirement described in item #I1 from the different web page named quake.htm, which results from the existence of this "everlasting hell" and which states that to any kind of immortal life, meaning even to the immortal live in the "**kingdom of heaven**", may be admitted only those shockingly few people (i.e. those statistically NOT more than one person for every approximately 250,000 inhabitants of the Earth), which in their previous lives already reached the level of "morality" that in the Bible is assigned to the so-called "**righteous**" and that is described in item #I1 of the abovementioned web page "quake.htm", and thus only those people who have already acquired the character traits that will protect this "kingdom of heaven" from turning into the proverbial "**hell**" described in item #D8 from the separate web page named timevehicle.htm; **(3)** without the prior learning about different types of "immortality" described in items #L1 to #L6 from the separate web page named soul proof.htm, and thus without learning about the kind of immortality that characterizes our soul; **(4)** without learning about dangers that immortal beings bring onto other living creatures from their surroundings - which dangers are described, amongst others, in item #B1.1 from the web page named antichrist.htm; etc., etc. All these facts in turn begin to be disclosed for us only due the factual and objective research on the work of "time vehicles" described on this web page, as well as research on the consequences of the use of such time vehicles, i.e. the research carried out in accordance with "a priori" approach of the new "totaliztic science" (i.e. the new science, which has been described in more detail in item #C3 below on this web page).

#A2. Principles of operation of "time vehicles" is so simple:

Motto: *"Even a simplest invention is NOT going to complete itself."*

My "**theory of everything**" called the Concept of Dipolar Gravity teaches us, that the principle of shifting back in time and travelling through time, is very simple. After all, the time through which we just are living is pre-programmed in our bodies in natural programs called "programs of life and fate" that are stored in the form of natural software within DNA helixes from our genetic system. In turn the execution control which runs each such a program is carried out by shifting the resonance point of vibrations of these DNA helixes. In other words, double

helixes of DNA are like most simple and most elementary forms of natural computers, which run special "control programs" called the "programs of life and fate" that are stored in a software manner within the "counter-matter" that forms the atomic structure of these DNA. Therefore, in order to shift us to a different time, it suffices that our "time vehicle" (see "TV" below in part (a) from "Fig. #G1") surrounds all DNA helixes contained in our body, with a sphere of very strong pulsating magnetic field (see "E" below in part (a) from "Fig. #G1"). The frequency of pulsations of this field must be equal to the resonance frequency of the helixes. Then, by controlling the frequency of vibrations of this sphere of powerful field, it suffices to shift the resonance points into a different area of our "program of life and fate" coded into our DNA helixes. This in turn shifts us to a different point in time, e.g. again to years of our youth. How exactly this shifting in time is carried out, is demonstrated to us already today by "time vehicles" shown below on photographs from parts (b), (c) and (d) of "Fig. #G1".

The entire difficulty of completing a "time vehicle" boils down to the constructing of a device called the "[Oscillatory Chamber of the third generation](#)". This is because such a chamber generates a pulsating magnetic field that is sufficiently powerful to be able to surround us tightly with this sphere of the field and penetrate with this field to every single cell in our body. Its magnetic field is also controlled sufficiently precisely to allow the simultaneous shifting resonance points of all DNA from our body to a new time. The majority of theoretical problems connected with the travelling through time and with building this "Oscillatory Chamber of the third generation" I already have resolved. Apart from this web page, my solutions for these problems are also described on the totaliztic web page named [timevehicle.htm](#), as well as in volumes 11 and 2 of my newest monograph marked as [\[1/5\]](#). Thus almost the only matter still awaiting the completion, is the building of that "Oscillatory Chamber of the third generation".

I approximately know how to build that "Oscillatory Chamber of the third generation". After all, I invented it. Unfortunately, instead of creating for me reasonable conditions for research and for the development of my inventions, the paralysed by the "**inventive impotency**" (i.e. by consequences of the "curse of inventors") countries in which the fate make me to live, allowed that either someone tried to hunt me down, or they make me spend my time on an idle and horrifying unemployment deprived even an unemployment benefit.

#A3. The technical implementation of this principle of shifting our time is to restore to us our young bodies and leave unchanged our memory and our knowledge already gained - thus it allows for an infinitive prolonging our lives:

The travel through time carried out on the described above principle of "shifting the execution control to a different point of our 'program of life and fate' " yields quite extraordinary outcomes. Namely, **the above principle causes the shifting of our physical body to a different point in time from our own life, but it simultaneously leaves unchanged our memory and keeps the knowledge which we already gathered.** In the result, if we shift our time e.g. to years of our youth, then physically we again will be in bodies which we had in times of our youths, and also in times which prevailed during our youth. But our knowledge and memory will be the continuation of the knowledge and memory which we already had at the moment of shifting our time. Therefore, after such a shifting of our time, in the body young again we are to repeat from the beginning our entire life starting from the point in time to which we shifted - but our memory and knowledge this time will be enriched by experiences of everything that we lived through during the life to-date.

Such consequences of shifting our time through changing the execution control in our "program of life and fate" is especially suitable for infinitive extending the length of our lives on principles which in item #H1 of this web page, and also in item #C7 of the web page named [timevehicle.htm](#) is described under the name of "**imprisoned immortality**". In this principle **after each reaching the old age one sits into the "time vehicle" described on this web page and shifts his or her time again to years of the youth.** Unfortunately, this principle does NOT allow to take with us to years of youth any technical devices nor any inanimate objects. This is because their "programs of life and fate" work on different principles" than in living organisms. So the only thing that we can take back with us to our rejuvenated body, is our memory and our knowledge. Thus for example, if I build a "time vehicle" already now in my old age, then I could shift myself back in time to my young age, but in order to return from over there to the moment of having again the access to my time vehicle - I would need firstly to live through the entire my life and again build this vehicle from the very beginning (what should be much easier because I would already have the entire knowledge from the previous passage through life and time). The principle described here does NOT allow also to shift our time to any point through which we did NOT live yet. Thus, we in fact are "imprisoned" inside of time of our lives - in spite that we could repeat this life infinitive number of times.

Independently from the principle of shifting our time by changes to the execution control in our "programs of life and fate", as described on this web page, there is also a different principle of time travel described in "part #J" of this web page. That different principle time travel displays a different set of characteristics, which I am explaining in item #J3.

#A4. The characteristics of repetitive shifting back in time to years of our youth carried out through the described here

"shifting of resonance point in DNA helixes" which causes our travel through time:

The travelling through time carried out on the described here principle of "shifting the resonance point in DNA helixes", is characterised by following attributes:

(1) After shifting to a different time, our body takes all physical characteristics that this body displayed in the time to which we just shifted, and in which time we previously lived. Because the body undergoes a rejuvenation after we shift to years of our youth, this principle of time travel opens for us the infinitively long life (i.e. immortality) accomplished through repetitive returning to years of our youth after each subsequent living until an old age.

(2) Into the travel through time we cannot take with us any object nor any person. Even if together with us, other people are also taking a trip to a different time, after arriving in there, these other people find themselves in bodies, clothing, and places, in which they were when previously led their lives through a given point in time. So if in the trip through time we went together with our wife or friend, then only due a pure coincidence we could land together in the same point of the physical space. Notice here, that only a different principle of travelling through time, briefly described in item #J3 near the end of this web page, allows to shift to a different time together with other people and together with objects which we take with us.

(3) However, to different times is shifted together with us the current state of our knowledge, our memory, and our current personality (i.e. our character, level of happiness, sense of humour, memory, experience, etc.). Thus, if e.g. shifted to different times is someone already old, then after the arrival to years of his youth he or she is going to have again a young body of a young person, although his or her knowledge, memory, experience, attributes of character, sense of humour, habits, etc. - all will be the continuation of the same attributes which a given time-traveller has at the moment when he or she shifted back in time. In other words, if to years of youth we shift an old, grumpy, immoral and unproductive criminal, then still the same grumpy, immoral and unproductive criminal will appear in different times, only that he is going to have a young body - thus will be able to intensify his destructive influence on other people. This is why, **an iron condition must be imposed onto the attempts to shift anyone back in time with method described here - namely that the person shifted back in time must previously accomplish the state of totaliztic nirvana, so that this condition makes impossible for all immoral people who practice the highly corruptive philosophy of parasitism to shift back to years of their youth and to corrupt in there all people from their surrounding** - as this is explained more comprehensively in item #11 from further part of this web page.

(4) The method of time-travel described here allows only to shift back to the point in time through which we lived already, or to move forward in time also to the point in which we lived previously. But after the arrival to a new time we can interact with our environment. This means that a given time traveller can

participate actively in everything that he or she encounters in the time being visited, and he or she can change everything in there according to his or her "free will".

#A5. What inspired me to write this web page:

Motto: "The history of new inventions teaches us, that the most difficult stage in their completion is to convince to them other people."

The human immortality is a perfect example how immensely erroneous can be whatever is commonly believed in. After all, a typical opinion about the humanity overcoming death and living forever is almost exactly opposite to reality and to truth on this subject. For example, this typical opinion states that immortality can be accomplished only through the progress in medical sciences, and that the immortality itself will already be a source of huge happiness to everyone who is saved by it from a death. In turn, relying on statements of the Bible and on the present level of human medicine, it is commonly believed that the defeat of death and the access to immortality is going to be achieved only "at the very end" - means in a very distant future. (See the Bible, 1 Corinthians 15:26 "The last enemy to be defeated will be death.") However, the reality and facts state something completely different. As this is explained in items #B2 and #B3 of this web page, the only acceptable (because it is moral) path to the human immortality leads through the development of technology, not medicine, or more strictly through the construction of so-called **time vehicles**. In turn item #H3 of this web page reveals, that the immortality obtained by someone who previously did NOT accomplished the state of so-called **"totaliztic nirvana"** is going to turn out to be a hell and a curse - NOT a source of happiness. Finally item #K1 of this web page discloses that our civilisation could have already now both "time vehicles" as well as the access to immortality - if only people in their attitudes to creators of new discoveries and new inventions are NOT so egoistic, persecuting, cynical, sceptical, and so deprived the ability of an independent and logical thinking.

I am promoting the above truths about immortality already since 1985 - means since the moment when I discovered how time works. Already then I could initiate the construction of time vehicles - if I only received then the help of other people that is required. In such a case, until today - means after around a quarter of century, time vehicles would already be build and working. After all, even much more complex programmes, such as "Apollo" or "Manhattan", gave concrete results already after 8 and 4 years - as I reminded this descriptively in item #K2 of this web page. And we must remember that at the time when these programmes were initiated, their final goals appeared to be equally distant and equally impossible for accomplishing as today the construction of time vehicles seems to be. We also need to remember, that the detailed knowledge on given subjects in people who implemented these historical programmes, was at the time of

initiating them even much lower than the level of my own knowledge about the work of time and about principles of operation of time vehicles. Furthermore, people who implemented these historic programs had NO access to so obvious confirmations of their ideas as these numerous confirmations of principles which I described in items #D1 to #D7 of this web page, and also in chapter M from volume 11 of my newest [monograph \[1/5\]](#). Unfortunately, in spite that I continually kept explaining to people the truth about the immortality, providing these explanations at every opportunity and in numerous my publications, somehow my efforts do NOT seem to change the commonly prevailing (erroneous) views. This hard "scepticism" prevailing commonly, hit our eyes especially strongly when I publicly discussed in the Internet the visual proof on the discrete (jumping) nature of time, which is described in item #D1 of this web page. (This public discussion of the proof that time really runs in short jumps - like our present computer programs, can be viewed in Internet at addresses listed in item #M3 near the end of this web page.) Such a stubbornly erroneous "scepticism" of other people about the immortality, caused that on the meaningful day of 9/11 I decided to prepare a special (this one) web page on this particular subject. When writing this web page I hoped that if I manage to explain clearly and briefly the matter of immortality on a dedicated web page, then perhaps it finally gets to the attention of at least some readers. Let's us hope that just this is going to happen.

Part #B: What is this immortality and how the humanity can accomplish it:

#B1. What actually is "immortality", means the definition of "immortality":

Motto: "Things that seem to be obvious frequently turn out to be untrue - the accomplishing of happiness through a medical extending of lives is impossible."

The name "immortality" is assigned to consequences of defeating death. It means a possibility to life forever, while those ones who gained such everlasting life are fully aware that they live forever and that they remember parts of their lives through which they already passed.

The immortality is well known to people since the oldest times. This is because creatures used to live on the Earth in past, which were immortal. Examples of just such immortal creatures are various ancient gods - see "Fig. #B1" below. Also the [Bible](#) promises to people that one day the humanity defeats death and accomplishes access to immortal lives.

The philosophy of **totalizm** reveals to us, that immortality and everlasting life can be accomplished through the use of two drastically different means, namely (1) medical, and (2) technological. The group of medical ways of accomplishing immortality is so obvious that it is commonly recognised since a long time. It boils down to medical methods of infinitive extending of human lives. In turn the most realistic amongst another group of technological manners of accomplishing immortality was NOT known to people before. To the human awareness it was introduced only by the philosophy of **totalizm**, and also by the **theory of everything** called the **Concept of Dipolar Gravity** from which totalizm emerged. The most realistic out of these technological manners of accomplishing immortality boils down to the use of so-called "time vehicles" for the infinitive extending of human lives through repetitive shifting people back to their years of youth each time after they reach an old age. It is described comprehensively on this web page.

#B2. Immoral immortality accomplished with medical methods:

Motto: "Because the humanity never will be able to invent and to create alternative manifestations of life, all methods of medical extending of life always will be based on either copying or robbing fragments of other living creatures. As such, medical methods of extending life will always remain immoral and thus these never become a source of someone's happiness."

The medical method of accomplishing immortality **assumes**, that infinitive lifespan can be accomplished when ways are found with which human bodies can be maintained always young, so that due to these young bodies human lives will automatically extended themselves into infinity. (Of course, as this is revealed by the mechanism of work of time described on this web page, this assumption is naive and completely erroneous.)

In academic circles of medical sciences there is a kind of international organisation which promotes research on accomplishing the immortality of people. This organisation is named "The Strategies for Engineered Negligible Senescence (SENS)". It publishes its own journal named "Rejuvenation Research", while earlier in September 2009 it organised a conference in the Queens' College Cambridge, UK (in this conference took part around 200 scientists). Descriptions of goals and intentions of this organisation were presented, amongst others, in the article "Immortality beckons as scientists tackle ageing" from page A21 of newspaper **The New Zealand Herald**, issue dated on Wednesday, September 16, 2009. Members of this organisation see the solution to the problem of immortality in a very naive manner. For example, they believe that it is enough to medically eradicate present diseases, find pharmaceuticals which will renew biochemical processes in the body, and learn how to replace worn-out parts of the body, and soon people will be able to live over 1000 years, or even live forever. The accomplishing possibility of living over 1000 years,

according to them is going to be possible already in around 25 years. Of course, this naive view of immortality does NOT take under consideration a few facts. For example the fact that already after the World War Two the medical standards of life in some countries were rapidly increased by a relatively high value. Yet the longevity has NOT increased in these countries by the same proportion, and still very rarely someone lives in them to 100 years (e.g. in 2009 the oldest known man in the world had 113 years - his name is Walter Brelining). This means that just the improvement of health does NOT suffice to extend drastically the longevity. Another fact also NOT taken under consideration by these scientists is that since God in the Bible which He authorised confirmed that there exists a physical limitation of the length of human life to 120 years (see the Bible, Genesis 6:3), this means that must be a valid reason for this permanently build into our bodies. After all, if **the elapse of our time is really a jumping motion of the execution control through elementary commands of our "programs of life"**, while all the evidence in existence actually confirm this, then the length of life cannot be medically extend above whatever is permanently wired into these "programs of life". In turn to be able to change this permanent wiring of our "programs of life", especially to be able to additionally extend the length of these programs above present permanent (because physical) limits of their length, we people must gain the knowledge equal to the knowledge of God. After all, this would require, amongst others, the introduction of extensions to the double helixes of genetic codes (DNA) in every human cell - see item #C2 below. But accomplishing such level of knowledge is NOT going to occur within 25 years (nor even 250 years). In other words, this naive claim of believers in medically accomplished longevity for me resemble claims which I have heard in years of my youth about cars - namely that still before the year 2000 cars will already fly in the air - instead rolling over roads. However, the year 2000 already passed, while the principle of operation of cars remain exactly the same as the one from years of my youth (although I invented myself over a quarter of century devices called the Magnocraft and the Oscillatory Chamber, which can replace cars and allow us to fly, but so far no-one is rushing to help me to build these devices).

When watching carefully what happens around us, we can state for sure, that unfortunately, the humanity practically never can compete with God in creation forms of life which are alternative to these prevailing at present, and which simultaneously would be compatible with the life that already does exist. In turn without the existence of such life-forms created by people but compatible to the existing ones, in order to renew human body and to extend human life, people must either "copy" or "rob" the necessary biological resources, e.g. cells or tissues. In other words, independently from God the humanity will never be able to create the required biological resources (e.g. living cells or living tissues) which would be able to renew the human body and simultaneously which would NOT be rejected by organisms of people, but which would NOT be copied or robbed from other living creatures. On the other hand, the fact is certain that **every copying and every robbery, especially the copying or robbery of components of life, is an extremely immoral activity**. It is just because of this fact, that the humanity invented the so-called "copyrights", intellectual properties, and a large number of various laws which supposed to defend people from robberies. Therefore, independently how in the future people are going to extend their lives

with medical methods, always this extending will remain an activity that is highly immoral.

An immoral character of medical extending of lives will always induce various doubts and protests in these people who base their actions on whispers of their own conscience (as this is done by **intuitive totalizts**). Therefore, the path of people to immortality accomplished through medical methods will always be full of problems, immoral decisions, and ethically problematic actions. In turn as such, it will also be highly expensive, thus accessible only to a few very rich people. Moral problems which the humanity is going to encounter on this medical path to immortality, are already signalled both by the real life, as well as by various films on this subject. Probably the most clear picture of these problems revealed the science-fiction film of a "thriller" type, entitled "**The Island**", MVL, 2005, with Ewan McGregor and Scarlett Johansson in main roles. It shows a colony of self-aware human clones farmed in a city separated from the rest of the world, only to provide transplant organs for extending lives of rich people from which they were cloned. When a time was arriving to medically kill a given clone in order to harvest its organs, in order to calm down this clone, as well as other clones, they were told that it is being send to a distant island which supposedly was a kind of "heaven on Earth".

The immoral character of medical extending of lives has also various other drawbacks. For example, it does NOT encourage people to improve their morality through undertaking efforts to accomplish the **totaliztic nirvana** - as it is impossible to experience nirvana while acting immorally. It also has this attribute, that it is going to be used mainly by people with immoral inclinations in their characters. This in turn will lead the humanity directly into claws of so-called "everlasting hell" described in item #H3 below. As such, the medical path of humanity to immortality is the truly "evil" and instead of bringing good and happy life, in reality it is going to bring only the indescribable evil and suffering.

#B3. Morally correct immortality accomplished technologically through the repetitive use of "time vehicles":

Motto: "Totalizm reveals to us that there is also a morally correct path to the immortality depending on the use of 'time vehicles' for repetitive shifting back in time after each arriving to an old age."

It was necessary to develop the philosophy of **totalizm** to realise to us that there is also much better (moral) way to the human immortality, than the path that leads through the immoral achievements of medical sciences. This moral way boils down to a technological mastery of time, or more strictly through the construction of devices called "time vehicles". Time vehicles will be able to shift selected people back in time. Thus when these time vehicles are constructed, **immortality will be accomplished through simple shifting**

selected people back in time to years of their youths, on each occasion when these people accomplish old ages, or when their bodies refuse to fulfil correctly functions that are imposed onto them. This technological method of defeating death and accomplishing immortality is moral in every aspect, is simpler from the medical method, and can be accomplished already at the present level of technical development of the humanity.

The technological path to immortality which depends on the use of time vehicles is also going to create many additional advantages. For example, it will allow to **eliminate all mistakes and imperfections in our actions.** This is because when someone realises that he or she committed a mistake in own actions, then he or she can shift time back, while in the next elapse of time already avoid committing the same mistake.

Time vehicles will also be able to perform the present **functions of most perfect pharmaceuticals and doctors.** After all, if for example someone catches a flu because was dressed wrongly and got cold, then he or she will be able to shift time back, while in the new elapse of time get dressed correctly. Or someone catches an STD, or gets unwanted pregnancy, because had unprotected sex, then he or she can shift time back and in a new elapse of time protect himself or herself much better. On the same principle it is going to be possible to eliminate the majority of other illnesses and consequences of unlucky accidents which in present times trouble people.

Time vehicles will also enable people to **accomplish their life goals more effectively.** After all, when someone for example uses a fruitless method of action and becomes defeated in something very important, then he or she will be able to shift time back and repeat the attempt with a different method. In this way time vehicles will allow to try until a success (we know that in present times typically we have just a single go and chance at practically everything). How such a repetition of attempts works, it is illustrated perfectly in the film entitled "Groundhog Day" - mentioned below in item #H3 of this web page.

However, while indicating the fast way of technological access to immortality, totalizm simultaneously warns us, that behind every form of immortality various dangers and requirements are going to lurk. For example, if people are allowed to live infinitively long, then no matter in what manner this is accomplished, these people still can fall in claws of so-called "everlasting hell" described in item #H3 below. (Actually, the medical path to immortality for sure will always lead to this "everlasting hell".) Therefore, in order to make us aware of requirements and problems of immortality, in the further parts of this web page, especially in items #H1 to #H10, most vital such problems which stem from the infinitively long lives of people are going to be discussed.



(a)



(b)



(c)



(d)

Fig. #B1a-d (OD1 in [1/5]): Examples of immortal creatures which in past used to appear on the Earth. Typically they were believed to be "gods". But if one analyses carefully their evil behaviours, then would rather qualify them either to the present category of "devils", or to the category of "evil UFOonauts". (Click on any amongst above photographs in order to see it enlarged.)

Fig. #B1a (upper-left): The Hindu god most frequently called "Murugan". It is also called with other names, e.g. Subramanya. His name means "ever young". Everything in his life confirms his immortality. This God is the second son of god "Siva" - which in Hinduism represents the "god of destruction". A gigantic figure of god Murugan stands at the entrance to so-called "Batu Caves" in Kuala Lumpur, Malaysia. Photograph "a" shows him in frontal view. As this is explained more comprehensively in item #B6.1 of the web page [god.htm - about secular and scientific understanding of God](#), the religion of Hinduism by many is considered to be the first religion on the Earth, which God disseminated amongst

people just after He created the physical world. Thus, this religion does NOT contain yet the separate concepts of God and Satan - understood as separate carriers of good and evil. Therefore all Hindu "gods" in fact were creatures that demonstrated with their actions both, numerous aspects of good, as a significant dose of evilness. For example, in present times the behaviour of the above god Murugan would be described as highly "evil" or "devilish", and thus more appropriate to "evil UFO-nauts" who secretly occupy and exploit the Earth, than to "gods".

Fig. #B1b (upper-right): The Hindu god Murugan shown in a back view. In present times he would be rather considered to be an UFO-naut with rather an evil character, than to be a god. After all, he carries a typical equipment of an UFO-naut. For example, along his back clearly visible are two absorption bags for purifying the air with which he breathes. Old descriptions also claim that he never blinked his eyes and that his penis was always erected - so clearly he used a plastic stiffening implant in his penis, similarly as this is done by present UFO-nauts. Other information about this "god" is provided in caption under his photograph from the web page [parasitism.htm - about the philosophy of parasitism.](#)

Fig. #B1c (lower-left): A line of figures that represent Buddhist so-called "twelve immortals". According to the Buddhist mythology these "immortals" NOT only that were able to live infinitively long, but also had various "supernatural powers" which induced deadly fear amongst ordinary people. For example, the first in the line of these twelve immortals is the famous "dragon taming Lohan". This is because he was famous from piloting and using a flying "vehicle-beast" which in past was called a "dragon", while presently we would call a "UFO". On this figure he is shown as he sits on the horrifying beast that represents a "dragon" ([click here to see him enlarged.](#)) Interestingly, each single one amongst these Buddhist "twelve immortals" had anatomical features which differ from features of typical people, but are similar to features known from sightings of UFO-nauts - e.g. prolonged ears similar to that in Buddha. (Notice that anatomic features of UFO-nauts which differ from these of people, are illustrated in photographs from the web page [evil.htm - about origins of evil on the Earth.](#)) Also each one of these immortals had a rather nasty character, which presently we would describe with the qualifier "evil". So each one amongst them fits well into the present picture of UFO-nauts as evil creatures that secretly occupy and rob the Earth. The explanation why in old times flying vehicles presently called "UFOs" were named "dragons" is provided in item #B3 of the web page [evidence.htm - about evidence of continuous activity of UFO-nauts on the Earth.](#)

Fig. #B1d (lower-right): The view of the entrance to the Buddhist temple from the city of Melaka in Malaysia. (The spelling "Melaka" for the name of this city is used in Malaysia. In English this city is spelled "Malacca".) It is in this temple that figures of "twelve immortals" are located. The city Melaka is very old - its written history is known already since 1403, when Parameswara, the Hindu Prince from the Kingdom of Sri Vijaya in Sumatra, chose Melaka for the capitol of his Sultanate. Since around 1490 this city went under influences of Portuguese, who conquered it militarily and turned into their colony already in 1511. Melaka has many similar old Buddhist temples. But only this one contains figures of

Buddhist "twelve immortals". Under each figure there is a metal plate which describes his story and supernatural feats. Therefore, when one visits this historic and world-famous city, then it is worth to pop for a while also to the temple shown above.

* * *

Notice that you can see the **enlargement** of each illustration from this web site. For this, it suffices to **click** on this illustration. Furthermore, most of the internet browsers that you may use, including the popular "Internet Explorer", allow also to **download** each illustration to your own computer, where it can be looked at, reduced or enlarged to the size that you may want, or printed with your own graphical software.

#B4. The possibility of defeating death and morally extending our lives through repetitive shifting time back, is confirmed even in the Bible:

There is a holy book on the Earth, which was authorised by the same omniscient God that also created the entire physical world. This holy book authorised by God-creator is called the **Bible**. In His Bible God confirms all key information about the universe and the future - e.g. see item #C12 on the totaliztic web page [bible.htm](#). Only that God always does it in such a way, that this knowledge is impossible for decoding and applying by atheists and other people who have NOT deserve to learn the truth. **A vital information which God confirms in the Bible that He authorises, is that time is a software quality which can be shifted back if we wish to extend someone's life.** This information is contained in the Biblical "2 Kings" 20:1-11, and for a better reassurance repeated also in "Isaiah" 38:1-8. In these Biblical verses is described in detail how God extended the life of someone named Hezekiah by 15 years - just by shifting his time back. In this description is even confirmed illustratively that the principle of shifting time back boils down to the shifting back the execution control in natural programs from the double DNA helix (i.e. exactly as it is described below in this web page) - only that in the Bible the "execution control in natural programs from the DNA helixes" is called the "shadow on steps of the stairway set up by King Ahaz" - see "2 Kings" 20:11. However, in order to comprehend these information from the Bible, one needs to learn firstly the principles and mechanisms of work of the "software time" - explained in the content of this web page, and also one needs to learn, understand, and accept descriptions from the totaliztic web page [bible.htm](#).

A more comprehensive description how in the ancient language of the Bible was explained exactly the same as from this web page principle of shifting time back, is presented in item #D5 from the evidential section of this web page.

Of course, the Bible contains much more information about the possibility of

controlling the elapse of "software time" in manners that will be possible in the future by human "time vehicles". For example, in "Joshua" 10:12-14 is described that the elapse of time can be stopped altogether.

#B4.1. The Bible informs us also, that each person, including also you, the reader, is shifted back in time at least two or three times in the entire life (this explains why we all feel sometimes the "dejavu"):

A reader of this web page has pointed to my attention, that the confirmation of a repetitive shifting people back in time by God, is provided in the "Book of Job", verses 33:25-30. This confirmation explains, that in order to direct correctly the life of every human, practically every person is shifted by God several times back to years of his or her youth. But it so happens, that this confirmation is originally expressed in a rhymed form (poetry). However, the same poem various translators seem to translate on many different ways. Thus, that vital information that "every person is shifted back in time at least twice or three times", is NOT expressed with the same clarity in all translations of the Bible. The best in my opinion expression of this information, has amongst all Bibles the Polish translation contained in the Polish Bible named the "Biblia Warszawsko-Praska (przeklad biskupa Kazimierza Romaniuka)". Nearest English translation to this Polish Bible, out of two English Bibles that I have, contains the "Good News Bible" (Thomas Nelson Publishers, 1984). I am going to quote here from it the text of these verses 25-30 (note that I underlined the most vital parts of these verses): "His body will grow young and strong again; when he prays, God will answer him; he will worship God with joy; God will set things right for him again. He will say in public, 'I have sinned. I have not done right, but God spared me. He kept me from going to the world of dead, and I am still alive.' God does all this again and again; he saves a person's life, and gives him the joy of living." Unfortunately, this translation misses several vital points which are absent here but present in the abovementioned Polish translation. For example, it does NOT make clear that such shifting back in time God carries out for every person on the Earth.

In other translations of the Bible, the same verses were translated in a less understandable and clear manner. For a comparison I am going to quote here the same verses 33:25-30 taken from another English Bible that I have, namely from the "New World Translation of the Holy Scriptures" (Watchtower Bible ..., NY 2006): "*Let his flesh become fresher than in youth. Let him return to the days of his youth vigor. He will make entreaty to God that he may take pleasure in him. And he will see his face with joyful shouting. And He will restore His righteousness to mortal man. He will sing to men and say, 'I have sinned; and what is upright I have perverted. And it certainly was not the proper thing for me. He has redeemed my soul from passing into the pit. And my life itself will see the light.' Look! All these things God performs two times, three times, in case of an ablebodied man,"*

The above comparison of translations from various Bibles illustrates perfectly also another information, which the [philosophy of totalizm](#) tries to realise to us and to document at every opportunity. Namely, that God intentionally designed His holy texts in such a manner, that **the Bible does NOT offer ready-made recipes for lazy people and for infidels - thus in order to understand the wisdom and knowledge contained in the holy scriptures, people firstly need to laboriously discover by themselves specific truths, by climbing uphill in the "moral field", while only then the Bible confirms these truths for them.**(What is that "moral field" - due to the existence of which everything that is "moral" and "good for people" requires laborious climbing "uphill" in that "moral field", is explained in items #A2.1 and #H2 of the web page [totalizm.htm](#) and item #F1 on the web page named [rok_uk.htm](#).)

The confirmation with words from the Bible, that in our lives each one of us is several times shifted back in time to years of his or her youth, agrees NOT only with the described in item #C3 below methods used by God for a precise "tuning" of life of each one of us to God's superior goals and intentions, but it also agrees with empirical facts that God allowed me to see with my own eyes during my research. After all, several times in my life God granted me the privilege of seeing in person cases when God shifted someone's time back and allowed this someone to live again (and in a different way) through a specific section of his or her life. One amongst the most unambiguous and obvious cases of just such shifting back the life of a New Zealand inventor and a definite restoration of his house (which two subsequent phases of destruction I saw with my own eyes), plus probably also invalidation of the previous death of this inventor, is described comprehensively in items #E1, #C2, #D2, #D4 and #A4 from the web page named [boiler.htm](#).

#B5. Presentation of still further ideas about possible principles of gaining immortality:

The immoral principle of immortality accomplished due to progress in medicine - described in item #B2 of this web page, and also the moral principle of immortality accomplished through the technical shifting us in time back to years of our youth - described in item #B3 and in the remaining parts of this web page, are NOT the only principles about which it is claimed that can make people immortal, and the description of which I encountered so-far. In further sub-items of this item I am describing further such principles.

#B5.1. Immortality accomplished through growing back the lost, damaged, or used up organs and body parts:

Every human cell contains in itself the genetic information from which it is possible to grow back all organs and body parts of a given individual. Only that in people the process of this re-growth is blocked naturally. But it works in other creatures. For example, lizards are able to grow back lost tails, salamanders - lost appendices, while sharks - lost teeth. Fortunately, not long ago was found a manner of unblocking this natural re-growth of lost, damaged, or used up organs and body parts. This manner depends on the use of the "releaser of re-growth" which is contained in an extraordinary powder called the "pixie dust" - see the article "Severed finger grows back with help from 'pixie' ", from page A13 of newspaper [The New Zealand Herald](#), issue dated on Friday, May 2, 2008. That "pixie dust" is received by scraping cells from the lining of a pig's bladder. After this powder is put onto the wound formed e.g. after cutting a finger off, the finger grows back (i.e. something in that powder eliminates this normally working in people blockade of re-growth of lost body parts).

The powder called "pixie dust" becomes increasingly more famous in the world. For example, on Wednesday, 21 April 2010, on the subject of it a sizeable documentary report was broadcasted in New Zealand television as part of the cyclical programme "60 minutes" from channel 3 of TVNZ at 7:30 pm to 8:30 pm. In turn, on totaliztic web pages that "pixie dust" is also discussed in (15) from item #F2 of the web page [god_proof.htm](#) and in (15) from item #F2 of the web page [bible.htm](#).

#B5.2. Gradual extending of lives through the production of mechanical "spare body parts":

In the article "Fifty active years after 50" from page B1 of New Zealand newspaper [The Dominion Post](#), issue dated on Wednesday, October 21, 2009, is described a scientific program which started to be implemented in the United Kingdom. This program aims at allowing people to live to 100 years of age through the development and implementing mechanical "spare body parts" - which are to replace parts of body that most frequently fail (such as metal joints, plastic heart valves, back bones, etc.).

#B5.3. The immortality accomplished due to use of so-called "nanotechnology" and microscopic machines:

Quite an interesting idea for accomplishing immortality was published in the article entitled "Immortality just 20 years away, claims US scientist", from page A11 of newspaper [The New Zealand Herald](#), issue dated on Thursday, September 24, 2009 (which was a summary of a similar article published in the British newspaper "Sun"). In this article are described claims of 61-years old American scientist who believes that immortality is to be brought by progress in so-called "nanotechnology" (i.e. in skill of constructing microscopic machines). According to his believes, after a good learning of functions of all components of

human bodies, microscopic machines are to be build of the size of e.g. red blood cells or nerve cells, while these machines are to take over all functions of human bodies the fulfilment of which is to be refused by ageing cells of a given person. In this way, as people get older they are to gradually transform into mechanical "cyborgs" in which increasingly larger number of bodily functions is to be done by microscopic machines of the size of individual cells instead by the true cells of human body.

In my opinion the above idea contains several unaddressed problems. For example, in order someone could live forever it is necessary to secure the continuity of his or her memory and the continuity of his or her self-awareness. The site for both these extremely vital life phenomena is the brain - which also is ageing, and which self-aware and memory functions in my opinion no machine can replace. Another problem is the huge number of these microscopic machines which are necessary for sustaining the work of body of just a single human. After all, if we replace with these machines just only selected cells in an ageing body, e.g. only red cells of blood, then still it would be necessary to build a huge factory which would produce nothing else apart these microscopic machines for the use by body of just a single person. After all, a body of every person contains astronomical numbers of individual cells. Another problem results from the imperfections of scientific acquisition of knowledge. Scientists have this tendency that they use simplification (or "taking out of context" - scientifically called "system approach") in their process of learning, especially that they concentrate their interests on researching just a single aspect or a single role - at a cost of learning other aspects or other roles, and at a cost of learning mutual relationships between significances of these aspects or roles. On the other hand, if we create mechanical parts of human body which will implement only some aspects of their true functions, then a human provided into these parts will be just "a partially working person". Still another problem boils down to the supply such microscopic machines in energy. In order these machines could fulfil their functions, they need energy which is to be consumed by them by the entire period of their operation. Thus, in order to allow people to live forever, these machines would need to be supplied into infinitively large amount of energy. But the humanity does NOT know, nor it sees to be possible to get to know, a manner of supplying these microscopic machines into infinitive amounts of energy extended to infinitive lengths of time.

#B5.4. The immortality accomplished due to imprisoning human souls in so-called "cyborgs" - means in mechanical bodies:

The idea of this kind of immortality originates from research done on people abducted to UFOs. The investigators who research these People, stubbornly keep coming across circumstantial evidence that UFOonauts supposedly intercept souls of dying people (especially souls of those who committed suicides). Then they imprison these souls forever in especially prepared for this purpose computerised control systems of their UFO vehicles. In this way their

UFO vehicles in fact become kinds of flying "cyborgs" which have human souls (means also human memory and intelligence), but instead of bodies have mechanisms of entire flying vehicles. In turn UFO-nauts that utilise this imprisoning of human souls obtain a kind of "artificial intelligence" for their UFO vehicles, which is equally perfect like human intelligence. More information on the subject of such imprisoning of human souls in computerised control systems of UFO vehicles is explained in second part of subsection U4.1 from volume 16 of my newest [monograph \[1/5\]](#).

With the elapse of time these information about the possibility of constructing "cyborgs" in which human soul (and thus also human memory and intelligence) is imprisoned in a kind of body-machine, leaked somehow from UFO investigators to creators of science-fiction movies. Thus, presently an increasingly higher number of films is recorded, in the style of "Robo-cop". In these films the idea of accomplishing "mechanical immortality" described here is being shown in various versions and interpretations. But generally it always boils down to imprisoning someone's memory and self-awareness in a mechanical body of some sort - which body can later be subjected to periodic repairs and regenerations, and thus which can keep this soul imprisoned for infinitively long period of time.

Part #C: The work of time and principles of technological travel through time:

#C1. What is "time" according to the Concept of Dipolar Gravity:

The **theory of everything** called the Concept of Dipolar Gravity gives us the following definition: **time is the passage of execution control through natural programs of our lives and fate**. In chapter N from volume 11 of my newest [monograph \[1/5\]](#) such a definition of time is described under the name of "software interpretation of time". Explaining this definition with our words, each one amongst us carries in his or her counter-material duplicate (i.e. in his or her "spirit") a special system of superior natural programs, which (the system) is called the "soul" by present religions. One amongst programs that are constituting this complex "soul", is an unique kind of natural program, which could be called the "program of life" or the "**program of life and fate**". This unique natural program is composed of a long sequence of elementary commands, the sequential execution of which causes our passage through the life. In turn this execution of subsequent commands from the "program of life and fate" is carried out by a special system of automatic "execution control". The stepping movement of this "execution control" from running one such elementary command, to

running next such elementary command (in our "program of life and fate"), is perceived by us as the "elapse of time".

Independently from this web page, the above "software interpretation of time" is discussed on several totaliztic web pages - e.g. in item #G4 of the web page [dipolar_gravity.htm - about the Concept of Dipolar Gravity](#) in item #C1 from the web page [timevehicle.htm - about time, travelling through time, and about time vehicles](#), or in item #11 from the web page [evolution.htm - about the need for intentional fabrication by God of the body of evidence which supports the corner stones of atheistic views, e.g. "natural evolution" or the "big bang"](#). In turn the software human "soul", together with the so-called "program of life and fate" that is contained in this soul, are described in items #C1 and #C4 of the totaliztic web page [soul_proof.htm - with compendium of physical and medical evidence, photographs, and experiments, which confirm the existence of immortal human souls](#).

#C2. The general principle of shifting back someone's time and the practical implementation of this principle by Oscillatory Chambers of the third generation:

In item #C3 from this web page, and also in item #G4 from the web page named [dipolar_gravity.htm - about the Concept of Dipolar Gravity](#), is explained how exactly time works. (This explanation was briefly repeated in item #C1 above.) In turn item #D1 below from this web page describes the empirical proof which documents that time actually does elapse in jumps - means time elapses exactly in the manner as this is explained by the Concept of Dipolar Gravity. So now it is turn to explain how time vehicles are going to shift this time back.

It is explained more comprehensively in "part #1" of the totaliztic web page [evolution.htm \(about the need for intentional fabrication by God of the body of evidence which supports the corner stones of atheistic views, e.g. "natural evolution" or the "big bang"\)](#), that the carriers of natural "programs of lives and fate" for all living creatures are the double helixes from their genetic codes (DNA). It is the rhythmical stepping (staircase-like) one-after-one execution of individual commands from these "programs of lives and fate" stored in atoms of genetic codes, that living creatures perceive as the "elapse of time". It is also because of this stepping execution of this program, that the elapse of time has a discrete (jumping) character - which is documented by the empirical proof described in item #D1 below. Every atom and every molecule of genetic codes from living creatures contains and stores in itself a section of this "program of life and fate". Such a section defines how in a given moment of time the cell from the

body of living creature that this program describes supposed to look like. Also the section of program links this cell from the body with a given layer of the "timespace". (What actually is this "timespace", also called "omniplan", it is explained comprehensively on a number of my publications - for example see item #C3 below on this web page, or see item #G4 from the totaliztic web page named [dipolar_gravity.htm - about the Concept of Dipolar Gravity](#), or see item #B2.1 from the web page named [timevehicle.htm - about time, travelling through time, and about time vehicles](#).) Each subsequent section of this "program of life and fate" is executed at the moment when the atom and molecule in which it is stored gets into a resonance with vibrations of the "timespace". Thus, the key to control over the elapse of someone's time, is the capability to induce a resonance of these atoms of genetic code of a given creature, which we want, instead of these atoms which resonate under the control of natural mechanisms of the "timespace". (More about the role of genetic codes is explained in "part #I" of the totaliztic web page [evolution.htm - about the need for intentional fabrication by God of the body of evidence which supports the corner stones of atheistic views, e.g. "natural evolution" or the "big bang"](#).)

The device which is going to be able to execute practically the resonance of a selected atom and selected molecule of someone's genetic codes, is the so-called [Oscillatory Chamber of the third generation](#). This is because such a chamber is able to generate extremely powerful magnetic field of an ideally constant value. Onto this ideally constant magnetic field this chamber is going to superimpose impulses of the required frequencies and the required course of curves that describe changes of the field. In this way the Oscillatory Chamber of the third generation is going to excite the resonance of a selected atom and selected molecule of someone's genetic code. This in turn is going to cause, that such someone is to be shifted in time to the period in his or her life that is described by a section of the program of life and fate which is stored in this resonating atom and particle. If this resonating atom and particle are to be positioned below the atom and particle which are just resonating because of the action of natural mechanisms of "timespace", then such a creature is to be shifted back in time, e.g. to years of his or her youth.

As the above reveals it, the general principle of shifting time back is relatively simple. In order to be able to shift time back it suffices to build the [Oscillatory Chamber of the third generation](#), and then surround ourselves with a powerful and correctly controlled magnetic field that is generated by this Oscillatory Chamber. According to a well-known (Polish) saying "to a clever head just one word is enough" (in the Polish language "mądrej głowie dość po słowie"), this general principle indicates the direction towards which should go the research effort of future builders of time vehicles. Of course, another (English) saying states that "devil is in details". So in order to build time vehicles, still many amongst these "details" need to be learned. It is a bit like with a general principle of atomic bomb - which is presently known to practically every child. (I.e. with the principle stating that "in order to build an atomic bomb it is enough to construct a device which several pieces of nuclear fuel of under-critical mass joins rapidly into a single piece of such fuel with over-critical mass.) After all, luckily for us it is just because of such "details" that even large countries which already have

nuclear fuel and have the required level of technology, still are unable to construct such a bomb. Relating this to the requirements of building time vehicles, it is rather pity that so many people do everything in their powers to make impossible for me undertaking the construction of this miraculous machines. After all, the missing details which my creative mind could work out either theoretically, or learn empirically from research on UFOs of the third generation, or determine experimentally, within just several years, the future researchers may need to seek for hundreds of years or perhaps even for thousands of years. In the meantime all people from our civilization will still be forced to die, because the lack of time vehicles will NOT allow them to shift back in time to years of their youth after their arrival to an old age.

The topic of practical implementation of principles of time vehicles is also presented in subsection N3.2 from volume 11 of my newest [monograph \[1/5\]](#) (disseminated free of charge via this web page), as well as in item #B6 from the totaliztic web page [timevehicle.htm](#).

#C3. How time really works - means what is this "timespace" (called also "omniplan"):

Motto: "Only the immensely wise God was able to create the world so excellently as we see it around us - in turn so immensely wise God would NOT have created a world in which there would be something, e.g. time, that God would NOT be able to freely control so that it implements His superior intentions and goals."

My **theory of everything**, called the [Concept of Dipolar Gravity](#), explains the concept of time and the work of time in a completely different way than did it the old, official, "**atheistic orthodox science**" (i.e. that old, monopolistic, ignorant and arrogant science, which is described more broadly, amongst others, in item #D8 from this web page). For example, according to my Concept of Dipolar Gravity, **time is actually a kind of motionless "software landscape" formed from a special kind of program and data stored in the "counter-world" and called here the "omniplan" or "timespace", while our life depends on moving through this "landscape"**. (It is worth to remind here, that the old official science says just the opposite, namely that time "flows" around us - similarly like a stream flows around a stone, while we stand in one place - like that stone stands in a stream.) Due to the fact, that in reality "time is motionless while we travel through this time", God can freely rule over time, while for us people it is possible to build "time vehicles", which - similarly like our present vehicles, also allow us to move through time in all possible directions, i.e. to shift back in time, to accelerate time forward, to stop the elapse of our time, etc. In this item I am going to explain to the reader more precisely how the Concept of Dipolar Gravity describes the work of time, while more specifically, explain how

works this "omniplan" ("timespace") - with which God actually controls time, while through which we can also accomplish various extraordinary capabilities, like to shift our time back (i.e. to become immortal), to skip forward in time (i.e. to visit the future), to stop the passage of time (means to live through whatever we like the most for as long as we wish), etc.

Immensely wise God intentionally pre-programmed our physical world in so intelligent manner, that it gives Him a free reign over every possible parameter of the universe, including also reign over time, i.e. so that, for example, God freely is able to shift time back, move time forward, stop the passage of time, view, change, and adapt to His plans and goals everything that happens in any time (i.e. also in times that we consider to be the past or the future), etc. After all, such a free reign of God over all the parameters of the universe, including His control over time, allows Him to accurately govern over the physical world which He has created, and thus allows the precise achievement of His superior divine goals. Of course, a kind of a by-product of this intelligent pre-programming of time by God, is that we can also benefit from it. After all, if we advance our knowledge to the level, that we learn how to control this "timespace" ("omniplan"), then we will also be able to execute our control over time. In other words, the fact that God reigns over time, means also that if we deserve it with the moral life and with the persistent learning of truths, then we also will be given a similar mastery over time. This in turn will give us the capability for immortal lives.

Such a control over the time God has achieved through the wise formation of the physical world into a software structure, or a software entity, which the Concept of Dipolar Gravity calls the "timespace" or "omniplan". This **timespace** ("omniplan") in reality is a **"natural control program" developed by God and stored in memory of the intelligent counter-matter, which program controls over everything that happens in the entire physical universe**. Notice, that I introduced here both these names, i.e. "timespace" and "omniplan", so that depending on the situation being described, I can use either the name "timespace" - which illustrates how we move through time, or just use the word "omniplan" - which explains the role that the "timespace" fulfils in the intentions of God. Thus, both of these names, i.e. "timespace" and "omniplan", mean here exactly the same, while the meaning of both of them illustratively describes that God created this "software structure", or "software entity" which I have called with these names.

In my busy life, filled with a variety of activities, already a long ago I got to know a similar (but created by people) "software structure", which actually is one amongst several developed by the human technology and simplified "models" or "imitations" of the divine "omniplan". This human "software structure" that I met quite a long ago, thus that lies at the foundations of my later understanding as to how works the software time pre-programmed by God, is the so-called **"control program" for the numerically (computer) controlled machine tools**. Due to learning in years of my youth, how exactly such "control programs" work in machine tools, and due to my understanding that **for the numerically (computer) controlled machine tools, such "control programs" are exactly the same as for people is time**, I was later able to NOT only understand myself how wise God pre-programmed the work of software time for us, but I was also able to explain this work of time to other people - which explanation I provide,

amongst others, in this item. Later in my life, I also discovered that the "control programs" for machine tools are just one amongst many similar simplified "models" or "imitations" of the divine "omniplan". Some amongst these other "models" or "imitations" are even known more widely and more commonly than these "control programs" from machine tools. Therefore, they are even more suitable for the use in order to explain to readers how works this software time created by God. One amongst the most frequently used at the moment, and hence the most widely known such "models" or "imitations" of software passage of time, is an ordinary movie film (e.g. a feature film) stored in a computer's memory and played by someone on the screen of that computer.

So in order to better understand what is that "omniplan", and how works this software "timespace" created by God for governing over time, **I am introducing here quite a simple and primitive analogy of time to a movie film stored in a computer.** This movie film is shown on a computer screen and viewed by a computer illiterate, i.e. viewed by a person who does NOT know computers well enough to be able to control them just by himself. For such an illiterate who is only viewing (although emotionally living through) the action of this movie film, the flow of the events from the film through a computer screen is an analogy to the flow of time in our lives. Namely, just like in our lives, on that computer screen also one can see the events that occur in sequence one after the other, one can see the objects and creatures involved in these events and affected by their consequences, also for the heroes of that film the development of events on the computer screen is like the development of real-life events in our lives, etc. Furthermore, just as it is with the passage of time, such a film displayed on the computer screen and viewed by a computer illiterate also flows in only one direction, namely only towards the future.

However, unlike the illiterate viewers of this film from the computer screen, and also in contrast to the heroes of this film, the situation is quite a different one for programmers familiar with the principles of encoding videos in the computer memories. After all, this film from the screen of a computer, is actually a kind of program. Thus, such a **programmer well familiar with the principles of movies' encoding in computers, can select in the computer memory any part of the program of that film, and then change this part in any manner that is suiting him or her the best.** For example, if the bride of the hero from that film, dies in a park because onto her head falls with a thunderous noise a heavy branch broken off a tree - as this is described, for example, in the article **[1#C3]** entitled "NZ burial for woman killed by falling branch" from page A8 of the New Zealand newspaper [The Dominion Post](#) (issue dated on Thursday, September 27, 2012), such a programmer can change that part of the film e.g. into a situation, that onto this bride falls a flower wreath thrown by a nearby bride who implements an old custom that it can be caught by a next miss which soon is to get married. As a result of such type of changes introduced by the programmer, this illiterate watching a movie film and symbolising here the audience (witnesses) of someone's real life, would see a completely new story-line that are experiencing the heroes of that film (which heroes are analogies to us in the described here "imitation" of time). Exactly on the same way works software time. Only that for time an equivalent to this film stored in the computer memory, is the described here software "timespace" (i.e. "omniplan") - stored in

the memory of the intelligent counter-matter from the counter-world. Simultaneously, the equivalents of the heroes from that film, are ourselves, while the equivalent of that computer-illiterate watching a movie on a computer screen, are "witnesses" of our lives - that is, all other living creatures from the physical world, which together with us are watching and experiencing what is happening throughout the entire universe. I mean, neither we (nor these other creatures), are able to change anything significant in this supposed film, but we only are witnessing and reliving what in the universe is unveiling. But God is like the programmer from the above analogy - who pre-programmed the entire this film. So God can reprogram any portion from that film in the manner that suits Him. Only that this reprogramming God is carrying out in the other "counter-world", which is superior to our "physical world" in the same way as a computer's "processor" is superior to the "screen", and thus that this counter-world is managing everything that is going on in our physical world.

The primitive analogy of time together with timespace (or omniplan) described above, to the software encoding of a film in the computer memory, perfectly explains the operation and features of time. To better realize this explanation, I am going to describe now the actual features and principles of operation of time - as these are described by my **theory of everything**, means by my **Concept of Dipolar Gravity**. Here they are:

1. Time is a kind of motionless "software landscape". This means that like a film placed in the computer's memory is simply a kind of fixed "landscape of bits and bytes", also time and programs that control it are just "software landscape stored in the memory of intelligent counter-matter". (This "landscape" I call here the "timespace" or "omniplan" - depending on which of these two names illustrates better a given part of a description.)

2. The flow of time is a movement of the "execution control" over that "timespace" ("omniplan"). To view a video from the computer's memory, a kind of pointer, indicator or a "cursor", must be moved through this "landscape of bits and bytes" which stores the entire content of the film. This pointer (cursor) indicates the frame of the movie film that is about to be displayed. Such a process of moving the "cursor" and the work of computer caused by it, programmers call the "execution control". Similarly is with time. The current point in time from the "omniplan" that we just are living through, is indicated by the pointer of the "execution control" contained in our genes. In turn the elapse of time is simply the movement of this "execution control" through the "omniplan".

3. Time elapses in short jumps - similarly like a movie film passes through a computer screen. This jumping passage of time is documented by the facts described in item #D1 below on this web page. The jumpy (i.e. NOT continuous) passage of time is in turn the empirical evidence, that time works exactly as it is described here. (After all, if time was as it is described by the old "atheistic orthodox science", then its passage would be continuous.)

4. For creatures that still have NOT deserved to have time vehicles, time flows in only one direction, that is always only towards the future. Such creatures are therefore similar to that computer illiterate from the previous descriptions, who still does NOT know how to operate a computer, and thus who can see the movie film only once - when someone else displayed it to him. Our present civilization as a whole, as well as almost all of today's "atheistic

orthodox scientists", are just equivalents to such computer illiterates. However, totalizts who get to know findings of the Concept of Dipolar Gravity, no longer are similar to such complete illiterates like present professional scientists. In turn creatures that already know how to use time vehicles are like people who have learned to use computers. However, the highest level of human cognition is the ability to build time vehicles.

5. The operation of time vehicles boils down to introduction of changes to the current position of the pointer in the "execution control" of the "omniplan" described here. In other words, just as a person who is capable of using a computer can repeat or skip through any parts of the movie film played on the computer screen, also creatures which use time vehicles cause that these time vehicles shift the "execution control" to other points in time from the "omniplan". Of course, it is mainly God who intentionally shifts the "execution control" whenever He decides so, while time vehicles are only able to duplicate some of God's actions.

6. Time vehicles are NOT able to change anything from our past or the future, and they can only shift us to a different point in time, which we naturally have experienced in our previous life. So they are similar to a computer that is NOT able to change the plot of the movie film stored in its memory without the programmer's intervention. To make a change, in the new passage of time we ourselves must choose for ourselves a different path through the life, means we must enter onto a different path leading us through this divine "omniplan".

7. God is the programmer of time, and thus He can change whatever He wants both from the events of the past as well as from events of the future. In other words, God is like the programmer from the previous analogy of a computer movie film, who not only can shift execution control in this film to any scene, but also who is able to "reprogram" the story-line of the entire film into a completely different one. In fact, God does so for each of us and He does it several times in our lives - to which changes God even admits in the Bible (as it is described in item #B4.1 from this web page). After all, if God shifts us back in time and at the same time He erases the appropriate portion of our memory, we do NOT have the slightest idea about the occurrence of this shifting us back in time - even though we sometimes wonder why certain life-situations seem familiar to us, as if we had already experienced them ("deja vu"). Due to these capabilities, God is able to accurately "pre-program" the life of each one of us in a manner that is consistent with the superior God's goals and intentions, and also with our knowledge, skills, and character traits, as well as with the fate for which each one of us individually deserved.

8. The passage of "real time" which occurs in the counter-world, is of a different kind than the passage of "software time" in our physical world. In the previously introduced analogy of time to a film displayed on a computer screen, the "real time" that elapses in the counter-world can be compared to the time that elapses for the computer itself (i.e. that computer, in memory of which the film is stored), and also to the time that elapses for the programmer who operates the downloading and displaying of this film. However, the "software time" that elapses in our physical world, can be compared to the elapse of time which experience the characters (heroes) from that film displayed on the

computer screen. Thus, for example, if the display of the movie film is interrupted, because the person watching it has e.g. do some other works, then for the characters from that film time is to stop in one place and stands still until when this person returns to watching the movie. On the other hand, if the watching of a film is shifted back to the beginning, the time of heroes from that film is also to shift back to the beginning and then re-start to run from the very beginning. The above illustrates that God and all spiritual beings from the counter-world live in the "real time", which could also be called the "absolute time" - because it is impossible to turn back. (Of course, for God and for spiritual beings this impossibility of reversing their "real time" actually does not matter, as God and these beings exist immortally - as it is explained comprehensively in item #C3 from the web page named [soul_proof.htm](#).) However, due to the pre-programming of the physical world by God into the form of "omniplan", everything that exists in the physical world is living in a different "software time", which can be stopped, shifted backward, accelerated forward, as well as every event of which God can reprogram into a completely different event.

9. God has a simultaneous insight into all times of the physical world (i.e. God see at the same time whatever for us is the past, as well as whatever for us is the present, and future). This is because the "timespace" pre-programmed by God already contains within itself all possible times, all objects, and all the events from the entire physical world - similarly as in the previous analogy to the film contained in the computer's memory, this computer has stored in itself the entire course of the film, NOT only a moment of time that just appears on the computer screen, and thus the situation of which moment just experiences the hero from the film. (Thus, for example, a programmer familiar with the encoding of that film in a computer, also has a simultaneous access to all of its plots, and if he wants he also may "fine tune" to each other, and change, events taking place in that film into events that are most suitable for him.) Due to this simultaneous insight into all times and all events from the physical world, God has the ability to "fine tune" to each other, all moments of time in which each event of the universe are occurring - so that their results were exactly in line with His superior plans and goals. That is why, if God wishes so, He can precisely fine-tune e.g. the moment of the collapse of a heavy tree-branch described in [1#C3] above, to the moment when a person passes under this tree-branch - which person e.g. is subjected to the **principle of the "extinction of most immoral"** described in item #G1 from the web page named [will.htm](#). (Intriguingly, so far I came across as many as three almost identical cases, when someone's fiancé has died, killed by a tree-branch that with a great bang broke off from the tree when this girl walked right under it. The first of these cases affected Zbyszek - i.e. my office colleague from the [Technical University of Wrocław](#). At a description of another similar case I came across in a newspaper, but I have NOT written down the editorial data of it. However, when I came upon the third such a case, almost identical to two previous ones, I already wrote down the editorial data of it and then repeated these data in the article [1#C3] above. It is worth noting here that such a "scenario of killing a fiancé with a falling tree-branch" could NOT be re-played repeatedly so many times in the world in which prevails the time described incorrectly by the old "atheistic orthodox science".)

There are various serious consequences of this fact that in the "omniplan"

from the very beginning are already preprogrammed all times, all events, and all the objects of the physical world. One of these consequences is the **co-existence of what is called the "destiny" with what we call the "free will"** (this co-existence of both of them I am going to explain further on another occasion). Another consequence is that the duration of the physical world is limited, and thus that actually one day unexpectedly to people, still **the "end of the world" announced in the Bible is to come**. Only that, according to what I am explaining e.g. in items #N1 and #C2 from the web page named [quake.htm](#), this "end of the world" is still very far away. Before it will happen, for example people first are to build "time vehicles" and overcome death with these vehicles - just as the Bible foretold. Yet another consequence of the pre-programming of physical world into the form of "omniplan", is that the storage of this "omniplan" in the memory of the counter-world must absorb the appropriately enormous "information capacity" of the counter-world. That "information capacity" can be compared here to a capacity of the computer's memory that stores the film from the previously-described analogy. After all, the longer is the film and the more characters and objects are in it, the more memory it takes when it is stored in a computer. In turn, the "information capacity" of the counter-world required for the storing of the entire "omniplan" which God created, decisively influences **the relative proportion between the size of the elementary particles of counter-matter from the counter-world, and the size of any of the elementary particles of matter from the physical world**. The point is, that every elementary particle of counter-matter can store in itself only a limited amount of information - similarly as in today's computers each unit of memory can store only a certain amount of the so-called "bits". So in order that to every elementary particle of matter (which a particle of matter is, however, a separate object in our physical world) is assigned in the counter-world the amount of memory which is able to accommodate all the information related to this particle and which is present in the "omniplan", it is necessary to assign to this particle of matter the large number of elementary particles of counter-matter. This number will also be the higher, for the longer passage of time God has pre-programmed our physical world. Thus, if we estimate the amount of information that these elementary particles of counter-matter must store on the subject of every elementary particle of matter from the physical world, and it still is multiplied by the amount of time the "omniplan" has been pre-programmed, then we must find out that **the ratio of dimensions of a single elementary particle of counter-matter from the counter-world, to the dimensions of a single particle of matter from our physical world, must be enormous and probably it exceeds the ratio of size of one elementary particle from our physical world to the size of entire galaxies in space**. In other words, we already consider ourselves (i.e. the human body) as giants in comparison, for example, to sizes of single cells from our bodies, not to mention comparing our size to the size of atoms and elementary particles. But our mind is NOT even able to comprehend how gigantic we are, if we compare ourselves to the size of individual elementary particles of counter-matter. Since, in spite of these enormous differences in sizes and in the required behaviours, God programmed this everything so precisely that it runs "like a Swiss watch", we can imagine how incredibly great are: the knowledge of God, His power, and the glory, respect, and obedience to Him, which He deserves from us. For me the

breath is clogged up from the impression, when I think how vast and how wonderful is the knowledge of God, and how immensely creatively He designed our present physical world. And I do NOT forget the fact, that a long time ago, God said in the Bible, that the next world that He will create will be even grander and more perfect than our present one.

The analogy to the movie film from our computer, that I introduced here to my descriptions of time to make them easier for understanding, is, of course, a very primitive and simplified one. In fact, instead of the "film" used in my above analogy, this divine "omniplan" is more similar to these **"control programs"** from the today's machine tools with numerical (computer) control - the programming of which I had dabbled in during my career as an "adiunkt" (i.e. assistant professor) at the [Technical University of Wroclaw, Poland](#). (The reader may have already heard that once I even created my own language for programming machine tools with numerical control. This language is called JAP - for descriptions of it see for example my article "The automatic programming language for lathes with NUMEROBLOK 21 T01 control system" - in the original Polish language: "Język automatycznego programowania tokarek sterowanych numerycznie w układzie NUMEROBLOK 21 T01", Mechanik, No. 4/1973, pp. 175-178.) In addition, this divine "omniplan" is NOT pre-programmed in the "procedural" convention - as still commonly today are programmed control programs for machine tools. Rather, it is a kind of futuristic and more advanced version of what today's programmers call "OOP" (from "Object-Oriented Programming"). However, the above is explained here only in a marginal capacity, to realize to the reader that although the principle of the divine program of "omniplan" can be easily explained by the previously stated analogy to a film, the actual program of the "omniplan" is extremely complicated and precise. It will probably take centuries of most strenuous research by followers of my **"totaliztic science"** with its "a priori" approach to research, before people manage to learn precisely what is the structure and work of this divine "omniplan", and how the humanity can also use this "omniplan" in its own ventures. (Notice here also, that professional scientists practicing the old, wrong, arrogant and still monopolistic, the official so-called "atheistic orthodox science" with its "a posteriori" approach to research, practically never will be able to work out the design and operation of the "omniplan" described here - because of their philosophical limitations. Thus, if the humanity does NOT formally manages to establish quickly the competitive and new "totaliztic science" - as explained in items #C1 to #C6 from the web page named [telekinetics.htm](#), then the building of time vehicles and conquering of death will remain for people only an unfulfilled dream.)

#C4. How God uses the reversible software time, controlled by the "omniplan" (also called the "timespace") , so that the life of each person is designed

and differentiated individually and that the required characteristics of the "soldier of God" are developed in this person:

Motto: "Although the old official science has NO competence and knowledge to design and to carry out experiments which prove the existence of God, the new 'totaliztic science' has already indicated experiments showing that our world is ruled by the reversible software time - while only the intelligence and purposefulness of God are able to create a world ruled by such reversible software time."

Those readers who thoroughly familiarised themselves with the previous item #C3 from this web page, already have learned the design and operation of the so-called "omniplan". So now they are able to define for themselves what is this "omniplan", and to explain how with the use of this "omniplan" God exerts the control over time. Thus, they know that **in the Concept of Dipolar Gravity the name "omniplan" is assigned to the superior software entity (i.e. to a type of natural program) which resides in the intelligent counter-matter and organizes operation of the entire physical world.** In order to be able to organize the operation of the entire physical world, this "omniplan" is actually a kind of a "landscape" composed, among others, from the appropriately pre-programmed software definitions (i.e. from "souls") of all objects that ever existed, exist, or will exist in the entire physical world and in all times in which these objects are to exist. (It is just because of the necessity of continuous participation in this "omniplan" of the souls of all objects from the physical world, that God does NOT judge the soul of every person immediately after his or her death, but keeps this soul "asleep", and in constant readiness to be revived, until the "end of the world" described in item #N1 from the totaliztic web page named [quake.htm](#).) Due to such a composing of the "omniplan" as a kind of "landscape" formed from all the objects and all times of the physical world, the life and passage through the time of each of these objects is reduced to its movements (in small jumps) through this landscape - similarly like the content of a movie film boils down to the jumpy movements of pictures of heroes of that film along the landscape created from various physical objects and from other characters of that film. In addition, such a composition of the "omniplan" allows also that, if necessary, any of its constituent objects can be taken away from a given place in the "landscape" and moved to other place or any other time.

That software entity named "omniplan" allows God, amongst others, a strict control over time. As it is revealed to us precisely by the [Concept of Dipolar Gravity](#), while described for interested people on numerous totaliztic web pages and monographs, **the "omniplan" transforms the order of events which in the reversible software time from our physical world occur sequentially one after the other, into events that the absolute (real) time from the counter-world are available simultaneously.** The "omniplan" achieves this transformation of the order of events through defining the time NOT as a continuous passage, but as a sequence of miniature jumps of time. In each of

these jumps of time, a next phase of changes of events from the physical world is defined. This phase is visible in there as a still image of the given phase, NOT as a moving change. So, due to this transformation of the order of events and due to turning moving sequences of events into sequences of their motionless phases, **for God all the events and all times from our physical world are available simultaneously, and in the same absolute (real) time of the counter-world, and thus they are viewed by God as series of still images from the successive phases of the events progressing in the physical world.** In other words, due to "omniplan" the progress of events in our physical world are viewed by God the same way as we can see subsequent still frames from a movie film. Thus, in that God's virtual world (counter-world), the development of every single one amongst events of our physical world (i.e. the event that takes place in our reversible software time), God is able to see simultaneously as a series of still images - and this regardless of whether in our physical world this event is seen by us as if it occurred in the past, occurs now, or is about to occur in the future. Only the inertia of our eyes, gives later to these quickly flashing still images of individual phases of the changes, the nature of smooth movements and uniform conversions. However, experiments and devices, such as those described in items #D1 and #D2 from this web page, again reveal to our eyes, that what we perceive as a smooth movement and change, actually is a series of still images parading in short increments in front of our eyes (thus they experimentally prove the truth of findings of the new "totaliztic science" which are described here).

The most important achievement, due to which starting from the time of the biblical Great Flood, God runs the lives of all physical beings in that reversible software time controlled by the "omniplan", is that this allows God to design accurately every detail of the events that affect humans. After all, the fact that due to the work of "omniplan", all events and all the times from our physical world, are seen by God simultaneously as series of still images, allows God to design precisely every detail from the developments of events taking place in our physical world, and to tune the course of each of these events to the course other events. For example, if God decides to eliminate someone from the further life by the collapse of a heavy tree branch on his or her head, then just suffices that in a sequence of still images of this someone walking under a tree, God so redesigns these images that they show fall of a branch and crushing the head of that person. So when the "program of life and fate" stored in DNA of that person, turns to implement this sequence of images, then in fact the branch is to fall on his or her head, and that person is to die.

The pre-programming of the reversible time from our physical world in the form of such software "omniplan", brings also benefits for us, humans. This is because it allows people to build and to use "time vehicles" - such as these described on this web page.

The described above design and implementation of the reversible software time in the form of the "omniplan" allows God to achieve all the goals which in His superior wisdom and purposefulness of action God set for Himself. Let us review now the most important out of these goals, along with explanations as to how due to the "omniplan" God accomplishes the completion of these goals. Here they are:

1. Such individual upbringing of each person, that he or she fulfils the purpose of the creation (i.e. "pursues the knowledge"), and simultaneously acquires the required by God characteristics of the "soldier of God". Due to the "omniplan" God has an access to the software design of the entire life of each individual person. God is also able to freely redesign every part of this life, the accurately synchronizing the passage through this part with the events that take place in the surroundings of this person. In this way God is able to subject this person to such a selection of events affecting it, which has the highest chance of increasing the knowledge and of developing in this individual the traits and types of experiences that God wishes this person has acquired in order to most effectively carry out in the future its tasks as the "soldier of God" - to perform which tasks God is laboriously upbringing and training every person (as this is explained in item #B1.1 from the web page named [antichrist.htm](#)). But if it turns out, that a given selection of events did NOT manage to develop in this person the necessary knowledge and attributes required from a "soldier of God", then the principle of operation of the "omniplan" allows God to shift that person back to his or her years of childhood, then pass it again through a specially designed for him or her set of different events. As God confirms this in the Bible (see item #B4.1 above on this web page), every person is in this way repeatedly shifted back in time to the years of his or her childhood at least two or three times during the lifetime. This repetitive shifting back in time, is discontinued only when God judges that events to which He subjected this person make up in it all the qualities that God requires from it, or when God comes to the final conclusion that this particular person is unable to acquire the traits of character required by God, and thus that it must be eliminated from the further plans of God.

2. Allowing God such changing of the fate of each person in relation to the fate of other people, that everyone who finishes the training for the "soldier of God" gathered in himself or herself the unique and very different pool of life experiences, than the pool of experiences gained by other "soldiers of God". The point of God is, that the increase in the diversity of life experiences which gathered individual "soldiers of God", multiplies the battle usefulness of the army that these soldiers are to make up. This is because the Army of God must be characterized, among others, by intelligence and by the ability to develop innovative manoeuvres. These in turn are only possible, if each of His soldiers accumulated a diverse body of experience in his or her life. So it is worth to notice here, that the approach of God to training of His troops, is quite the opposite to the approach of human rulers and politicians. After all, human rulers are trying to cause that all their soldiers went through the same training, as well as acted and thought in exactly the same way (preferably automatically and without thinking - like "robots"). Not surprisingly, that if such a "robotic" human army is to fight the "gangs of civilians" - as this was the case, for example, during wars in Vietnam or Afghanistan, then these "robots" are always beaten by civilians having in themselves accumulated a significantly wider variety of life experiences.

3. Such a control over the course of life of every person, that it has both, the "free will" to choose its experience, and that it still fulfils its "destiny". Namely, only in our first passage through the life, each one of us has the total "free will" to do whatever he or she wants. But after this first passage

through the life, God shifts us back in time to years of our youth and erases our memory - as explained in the biblical quotation from item #B4.1 of this web page. However, our most important achievements that we accomplished during that first passage through our life, are then inscribed on a permanent basis to our so-called "program of life and fate" stored in our DNA. Thus, from that time on, they become our "destiny". So every next passage through our life, we are repeating these achievements, while at the same time we additionally "improve" them - because God has already been preparing and training us for their accomplishing since our childhood. Therefore, in the next passages through the time and through our own lives, this our first passage through time and life is already becoming our "fate" and "destiny". On its basis in fact God individually redesigns the life of each one of us in such a way, that each one of us has fulfilled those initially programmed accomplishments of his or her "destiny", and that simultaneously obtained such kinds of knowledge and experience, and built in himself or herself such qualities of character, about which God cares the most. So it is NOT a very wise behaviour of many people, who reify as they can against their destiny and against these God efforts which are to impart the attributes which God requires from them.

4. Gathering the history and the memory of a person's life in his or her software "soul", and the use of the physical body of that person only as a kind of "vehicle" which carries this "soul" and allows it to complete physical activities. The location of human life in the reversible software time which is controlled by the divine "omniplan", allows God to separate the software "soul" of every person, from the physical "body" of that person. That soul God turned into the carrier of self-awareness, character, memory and the history of life of every person. This in turn is to allow God to resurrect in the future the dead people and to give to them new (immortal) bodies - while their self-awareness, memory, knowledge, and character are to remain unchanged, similarly as they remain unchanged e.g. after a surgical transplant of a heart, kidney, or a limb. (More details about this resurrection is provided in item #J3 from the web page named [malbork_uk.htm](#).) In addition, turning the software soul into the carrier of our awareness, knowledge, memory, and history of life, also allows God to move a given soul to any other body still in the present physical life - if such a move turns out to be needed.

5. Placing the soul of a given person in this body, which according to the knowledge of God, is best suited to fulfil the "destiny" of that person. As we know, what a person is able to do or to accomplish in his or her life, to a large extent depends on the parents and the family to which this person belongs, on the country and the city in which he or she was born and lives, on the support of influential friends with which this person went to the school or which managed to meet, etc. Therefore, if God discovers, that the "destiny" that someone had chosen and programmed with its first passage through the time and life, is NOT done best in the physical body that this person initially received, then God shifts that person to years of his or her childhood, and then transfers his or her soul to a more suitable body. Examples of evidence that proves the feasibility of such a transfer of souls, are reproduced near the end of this item - see in there a link to the paragraphs {3200} and {3230} from the Polish [treatise \[3b\]](#).

6. The most educational elimination from the life and from the impact on other people, of individuals who, in spite of God's efforts, do NOT implement their destiny. Unfortunately, NOT with every person God is successful in achieving its destiny. For example, NOT every person is suitable for the upbringing into a "soldier of God". So if, after several repetitions of changes in the kind of events that affect a given person, God determines that this person stubbornly does NOT acquire the characteristics required by Him, then God classifies this person to the category of "disposable" people. In turn, according to the information provided in the Bible, such "disposable" people will NOT be resurrected to the immortal body and NO longer are to participate in the further plans of God, but only at the end of the current (initial) phase of raising the humanity, after the final judgment, their bodies and souls are to be irreversibly burned. However, in order to NOT waste completely the life of given person, God always gets rid of it in a manner that has the highest educational value for the rest of the people who learn about the fate of that person. Therefore, after the empirical finding that this person is totally unsuitable for the implementation of God's future plans, God shifts this person back to the time in his or her life which God selects as the most appropriate for the educational to others elimination of him or her from among the living, then He designs the manner in which this person is to leave our physical world. Thus, although for people who learn about the departure of a given person from among the living, that departure may look as if it was still e.g. in his or her youth, actually **the reason for every premature human death is what a given person has done as an adult in his or her previous passages through time and through the life.** (This is why the philosophy of totalism warns: "pay attention to what you do as an adult, because it will be deciding what fate you will meet during the years of your youth".) More details about sending off from this world such "disposable" people, is contained in item #G1 from the web page named [will.htm](#), and in items #D1 to #D3 from the web page named [god exists.htm](#). It should be noted here, that the number of such "disposable" people overwhelmingly outnumber the people which God manages to raise into effective "soldiers of God" - that is, to rise into people who meet the Biblical definition of the so-called "righteous" explained in item #I1 from the web page named [quake.htm](#). For example, we already know from the information contained in verses 21:10-23 from the biblical "Book of Revelation", and explained more thoroughly in item #J3 of the web page named [malbork uk.htm](#), that at the end of the current (initial) phase of raising the humanity, all these "righteous" are to fit into a single flying city built in the form of **[Four-Propulsor Magnocraft type T12](#)**. Because we know already now the dimensions of that Magnocraft type T12, and also because we know approximately how many cubic metres of its interior is required to support a comfortable life of each one amongst these "righteous", already now it is possible to approximately estimate, for how many "righteous" God ultimately intends to give the immortal body and the eternal life. Hence, knowing an approximate number of people who have lived on the Earth since the time of creation, we can roughly estimate of what is the approximate "density" of these "righteous" amongst the human population. My estimates of this "density" seem to indicate that in average **for every million of people who lived, or live now, on the Earth, fall NOT more than four people who fulfil the biblical definition of**

"righteous". What even more intriguing, independently from the abovementioned verses 21:10-23 from the biblical "Book of Revelation", approximately a similar number of finally saved "righteous" seems to also confirm verse 14:3 from that Revelation - which verse can be interpreted, that their number is to be a "hundred and forty-four thousand". (Notice here, that in order to reassure us about the correctness of most vital information, the [Bible](#) applies the principle of repeating this information in 3 different its places.) The justification why only such a small number of people is to be selected by Jesus to accompany Him in the flying city, stems from phenomena which appear in a community of imperfect humans that received an access to immortal life - especially from the phenomenon that under the name "everlasting hell" is described in item #H3 of this web page. Thus, NOT without a vital reason, in a whole range of places from the Bible, are provided warnings which suggest, that after the final judgment, to the eternal life God permits only those persons, who fulfil the biblical definition of "righteous". In other words, if during the final judgment God implement those biblical warnings with the severity, and results of my research of God seem to indicate that this is to be the case, then it is possible that after the "end of this world", resurrected to the eternal life is on average only one person in NOT less than every 250,000 of people previously living on the Earth. In turn all the remaining people perhaps may be resurrected only for being irreversibly burned after the final judgment - I hope I am wrong in these estimates and may God show us mercy. In the face of such meaningful premises, one should NOT be surprised, that in item #B1.1 from the web page named [antichrist.htm](#), I am emphasizing that every present religion has been distorted so considerably, that for achieving a variety of benefits and political gains, in many enormously important matters it simply is lying to its followers.

7. Such management of decisions, actions, and the fate of subsequent communities, cities, nations, and countries, that they form a social climate and the conditions, which are most favourable for the attainment of God's plans and intentions. In other words, the creation of such conditions and social climate in each human environment, which are needed by God, and NOT such which would suit, or serve, the people in the best manner possible. But because the God's goal is the upbringing of people into the tough and battle-hardened "soldiers of God" - as this is explained in item #B1.1 from the web page named [antichrist.htm](#), the use of "omniplan" allows God a daily implementation for every human being, a very effective, although rather unpleasant for people, the "principle of upbringing" which is described under the name of the "**principle of reversals**" in item #F3 from the web page named [wszewilki_uk.htm](#). Also, in spite that this educational "principle of reversals" is highly disliked by people, and that all the time people take various efforts to get rid of it somehow, the pre-programming of the "omniplan" allows God to maintain the implementation of this principle for people almost continuously for thousands of years.

8. Such an "iterative" change of the fate of every nation and of the entire our civilization, that the fate of humanity exactly fulfilled the scenario of divine prophecies - which scenario God designed for Himself and for us soon after the introduction of the reversible software time during the Biblical Great Flood, while detailed descriptions of which God encrypted in the content of Bible. It just so happens that each of the events that God

designed for upbringing a given individual person onto an unique "soldier of God", with its consequences also affects other people, and to some extent influenced the fate of entire our civilization. However, the principle of operation of the "omniplan" is so perfect, that after the introduction of any changes to the life of a given person, in other parts of the "omniplan" God immediately sees how this change has affected the lives of other people and the fate of the entire human civilization. In this way God can iteratively shift time of a given person and so improve the events that affect this person, that the impact of these events will NOT change the scenario of the divine plan which for thousands of years is prophesized in the holy books (e.g. in parts 9 and 12 from the "Book of Daniel" in the [Bible](#)). As a result, through the repetitive shifting back the life of selected people up to ages of their youths, and through the subsequent passing of these people by increasingly more refined by God types of experiences, on one hand God is able to improve the knowledge and character traits of these people, on the other hand, He still is able to maintain in force the announced in the Bible scenario of events that are to affect the entire humanity.

9. The "omniplan" allows also God such realization of the "end of the world", that its coming will fulfil all the conditions and situations foretold in the Bible, while simultaneously it will not break any amongst God's promises that the Bible reveals to us. In the Bible is contained many details about the end of the world. For example, it explains that before the arrival of the end of the world, the official laws issued by governments are to openly run against the laws given to people by God - the beginning of which process can be seen already now (as it is reported e.g. in item #B5.1 from the web page named [will.htm](#)). The Bible also explains, that before the arrival of the end of the world the people who gained the knowledge of God and who will try to live morally, will be subjected to incredible persecution comparable to that which underwent Christians in the ancient Rome. So we can guess, that the old "atheistic orthodox science" (see item #D8 below for descriptions of that old science) will still continue to keep its absolute monopoly on the human knowledge and the control of human views, by using terror and by encouraging governments to lock in prisons people attempting to follow the findings of a new "totaliztic science", and also that governments are to prohibit NOT only reading, but even having, for example, the Bible. (Notice, that already now exist countries, in which ownership of a copy of Bible is forbidden by the authorities, while these people who are caught on having a copy of that holy book risk their lives. An information about one of such countries is contained in the article [\[1#C4\(9\)\]](#) entitled "Kim's ex shot dead over porn-report", from page B2 of the New Zealand newspaper [The Dominion Post Weekend](#) (issue dated on Saturday, August 31, 2013), while additionally confirmed in the article [\[2#C4\(9\)\]](#) entitled "North forces public to watch executions", from page A24 of newspaper [The New Zealand Herald](#) (issue dated on Wednesday, November 13, 2013). In the Bible is also contained a lot of promises, which in order to NOT break, God must bring the end of the world in a strictly defined way. For example, in item #I1 from the web page named [quake.htm](#), I am pointing out the biblical promise of God, that He will NOT destroy with a cataclysm that He sends, any community amongst which lives at least 10 particularly moral people whom the Bible describes with the name "righteous". Since the end of the world will also be for the people a kind of

cataclysm sent by God, this promise means, that before the arrival of it God must establish on the Earth such conditions, that on the entire planet will NOT be more than 9 persons living a highly moral life, which are to fulfil the biblical definition of "righteous". All of the above taken together mean practically, that the end of the world must be carefully prepared, and thus that it will not happen so soon. In item #N1 from my web page named [quake.htm](#) I interpreted verses 12:11-12 from the "Book of Daniel" in the Bible - which quite openly suggest when the end of this physical world is to come. According to my interpretation of this verse, the end is to NOT occur earlier than in the year 2656 AD, while it may occur even much later than in the year 2656 AD. Unfortunately, so far I am too busy to search through the Bible (and to objectively interpret on the basis of the findings of the new "totaliztic science"), the two further indications of the date of the end of the world contained in the Bible, in order to see whether they also point at the same year 2656 AD. After all, when authorizing the Bible, God has adopted a policy (which He also indicated for us in the [Bible](#)), that in order to avoid improper interpretations of the important information contained in the Bible, caused by imperfections of the human speech, each more important amongst such information, God expresses in the Bible in at least three different places and with the use of at least three different phrases or expressions. In turn the date of the end of present world belongs to such very important information. Therefore, if the year 2656 in fact is to be the year of actual end of the world, then at it should repeatedly point out the reliable and unbiased interpretations of at least three different prophecies encrypted in the [Bible](#). It is worth to also emphasize at this point, that various dates of the end of world are continually indicated by people eager for fame, power, money, etc. Thus, for these dates, it is useful to learn the principle, which confirms what is the motivation of the person which announces it. Namely, **the closer date of the "end of the world" is indicated by someone, the higher is the probability that with the use of it this person wants to gain some personal benefits; simultaneously the further this date lies beyond the scope of life of a given person, the greater is the certainty that this person provides it for the actual sense of moral duty and for the belief that this date is correct, and thus that the disclosure of it by this person represents a moral help to other people**. At the same time, for the actual date of the end of the world is effective the foretold in the Bible principle, that in times when that date is approaching, the inhabitants of the Earth will NOT be aware of it. The year 2656 AD fulfils also this principle, because (as I already explained this above) before the arrival of that year, on the entire Earth people probably are to be officially punished just for having a copy of Bible and for the dissemination of the information contained in the Bible, while the findings of the new "totaliztic science" will then be persecuted so viciously as a kind of heresy the spread of which is treated in the same way as in medieval times was witchcraft treated. Already in present times we see the beginning of such inquisition-like oppression of findings of the new "totaliztic science". For the example of this oppression consider the kind of "welcome" which employees of the old official "atheistic orthodox science" has prepared for the [Concept of Dipolar Gravity](#) and for the [philosophy of totalizm](#) - although both these morally unique intellectual accomplishments of the humanity form the scientific and philosophical foundations for the new "totaliztic science" so desperately

needed by present people.

Examples of the most important goals achieved by God through the introduction of management system for the "reversible software time" (i.e. the system described here under the name of "omniplan"), reveal the vital truth missed by a majority of people, namely that **due to making people's lives (and also lives of all other creatures) dependent on the "reversible software time", God gained an absolute control over everything that happens in the entire physical world.** In turn, due to this absolute control, God is now able to precisely control literally everything, so that it is absolutely consistent with His intentions and plans. For example, items #C1 to #C9 from the web page [god_exists.htm](#) reveal, that God controls even the amount of pain and suffering that individual people must experience, in turn items #H1 to #H7 from the web page named [prawda_uk.htm](#) explain, that due to this "omniplan" God is presently able to control even the fate and history of every truth. In turn us, humans, due to living in the "reversible software time" gained the ability to build time vehicles and the chance to access technical version of immortality - which is to be open to us through building these time vehicles.

Analysis of the content of Bible document, that **the artificially pre-programmed by God "reversible software time" did NOT exist at the time of the physical world creation, and thus was NOT always used by God** for running the lives of living creatures. In fact, many biblical descriptions suggests, that **before the Great Flood, people (and all other creatures from the physical world) had physical bodies operating on completely different than currently principles, which implemented their lives in the "absolute time" in which God also lives and which time God is unable to reverse or control freely.** These bodies were NOT susceptible to God's interventions, did NOT get older with the elapse of time, had the ability to extend their lives almost infinitively, while their deaths occurred only when they were deprived of a kind of "life energy" which they replenished through eating fruits from a special "tree of life". In turn, about the fact, that before the Great Flood and before the Noah's Ark, people (and all other living creatures) had such bodies working on different principles than our present bodies, which allowed them to live according to the "irreversible absolute time of the universe" (i.e. according to the same natural and irreversible time in which our God lives), certifies a number of facts discussed below in sub-item #C4.1. However, watching the results of His attempts to control of what was happening on the Earth then, God quickly realized that He had made a big mistake letting people to live in the absolute passage of time - over which He had no control. That is why God decided to destroy that world from before the Great Flood, while in the new world make dependent the people's lives and also lives of all other creatures that by His command Noah took to his ark, from the newly programmed by God, already "reversible software time" fully controlled with God's "omniplan". **The moving of people (and all other creatures) from the life in "irreversible absolute time", to the life in "reversible software time", took place sometimes around the middle of the duration of the Great Flood, when all the living creatures of that time were inside of the Ark of Noah.** This moving probably required the transfer of consciousness and memory (means the transfer of [souls](#)) of all the creatures present on the Noah's Ark, to their new and slightly modified bodies. But God knows the principle of such a

transfer of "souls" to different bodies. After all, according to what was already stated previously, God quite commonly uses this transfer even now. For example, in present times such a transfer of human "souls" to other bodies, means the transfer of human consciousness and memory, as well as the separation of the "souls" from bodies, thus suspending the consciousnesses of people away from their physical bodies and allowing these consciousnesses to watch what was happening to their bodies, is relatively frequently demonstrated to [UFO abductees](#) - descriptions of one of them are even published in paragraphs {3200} and {3230} from the Polish [treatise \[3b\]](#). In addition, many people experience such a separation of the soul from the body during so-called "NDE" means "Near Death Experience" - for example, during major medical procedures. A lot of descriptions of such NDEs is available in the literature.

The above explanation of the most important aspects of the operation of divine "omniplan" try to realize to us several very important facts. For example, they remind us, that for our good and our moral development, God precisely designed and constantly monitor every detail of our lives, and thus that if we draw the appropriate lessons from even the most unpleasant for us experiences, then these also enrich the databank of our unique experience and useful knowledge. In addition, these explanations also enlightens us that God implements the designed in advance (and described in the Bible) plan of such fate of our entire civilization, that in the future will provide us with the kinds of historical memory that will prove most beneficial to the next phases of the completion of God's intentions (e.g. to this phase of the trained of people to be "soldiers of God", which after the resurrection of dead and after the creation of immortal bodies, will continue for the next 1000 years, and which will be implemented in a flying "city", i.e. in Magnocraft type T12, described in item #J3 from the web page named [malbork_uk.htm](#), as well as to the subsequent phase of testing of people in the role of already trained "soldiers of God", in which testing "soldiers of God" are to deal militarily with armed supporters of e.g. [Antichrist](#)). They also reassure us additionally about the fact described in items #C1 to #C5 from the web page named [soul_proof.htm](#), that **we are NOT just "bodies" having "souls"**, but rather that in reality **God gave us the nature of the "souls", which to acquire the required traits of character and experience, are placed in the most suitable for us "bodies", then are passed in these bodies through types of experiences that are designed individually for each one of these souls**. The above explanations are also trying to make clear for us, that each person has both, the "free will" to shape his or her life and his or her fate, as well as with own fate he or she fulfils the "destiny". In addition, these explanations also highlight very important to us fact, already described on many other totaliztic web pages, that **whatever we experience in time of youth, stems directly from what we do in our adulthood**. (This is so because in different passes through our time and life, God repeatedly shifts us back to years of our youth, so that, among others, we could improve whatever we do as adults, about which fact of our multiple shifting back in time we are assured NOT only by the principle of operation of the "omniplan", but also by the Bible - see item #B4.1 above on this web page.)

#C4.1. The confirming body of evidence and most important consequences of the introduction of unnatural "reversible software time" with jumping elapses, pre-programmed by God during the Biblical Great Flood:

Motto: 'Although God considered all the creatures and the entire former physical world that He created within the first six days to be "very good", the iterative improvements that He introduced later, by today have completely restructured several times these creatures and world.'

Because a vast body of evidence presented in "part #D" of this web page confirmed conclusively, that the lives of people are governed by this artificially pre-programmed by God "reversible software time", now there is the turn to document with another body of evidence, the discovery of the new "totalistic science" described in item #C4 from this web page, that this artificial time with the jumping elapse was introduced by God only around a half of duration of the biblical Great Flood. In other words, now there is the turn to present a wealth of evidence which confirms, that the "reversible software time", has NOT existed and has NOT been working since the beginning of the creation of the physical world, but was additionally pre-programmed (means like "patched") to our physical world, when the Earth, cosmos and people already existed, while God did NOT want to destroy everything that He previously created, only to reprogram into it a new kind of time. For the fact of the introduction of that artificial time only then, certifies a vast body of evidence, many of items of which I have already revealed in the previous descriptions and publications indicated below. So in order to NOT expand unnecessarily the volume of this web page, I am providing here only summaries and links to a few most vital amongst further examples of such items of evidence - which include, among others:

#A. A wealth of evidence contained in descriptions from the Bible. After all, as it reveals the web page named [bible.htm](#), independently from the list of moral requirements which people must fulfil in their lives, the Bible (authorized-inspired by God Himself) is, among others, also a kind of God's autobiography and at the same time a written history of the universe prepared from God's perspective. The most important evidence derived from the Bible, which confirms the introduction of "reversible software time" only during the Great Flood, includes amongst others:

#A1. Biblical descriptions of God's helplessness towards the absence of obedience in people who lived before the Great Flood. After all, the only prevailing then "irreversible absolute time of the universe" did NOT allow God to serve then to people educational methods of the type of "principle of reversals" described previously.

#A2. Biblical descriptions of the methods with which at that time God was trying to persuade people to return to the path of obedience to their God - e.g. God showing Himself to people, sending angels to Earth, inspiring prophets, etc.

#A3. Biblical descriptions of longevity of humans living before the Great Flood (i.e. before the Great Flood people lived till almost 1000 years).

#A4. The change of principles on which worked bodies of people from before the Great Flood and work bodies of present people. For example, the information provided, amongst others, in verse 3:22 from the biblical "Genesis", that before the Great Flood people died only when their bodies consumed the entire reserve of the kind of "life energy" given to these bodies through eating the fruit from God's "tree of life", or through the birth, combined with the information contained, amongst others, in verses 90:9-10 from the Biblical "Psalms" - which confirms, that after the Great Flood people died already like today at the age of around 70 to 80 years (because their bodies were subjected to ageing). Or the information, that before the flood, people consumed fruits only (i.e. all of them were "vegetarians"). From old Israelite sources is also known that bodies of pre-flood people were NOT eaten by worms, nor subject to decay after the death. This matter is discussed, amongst others, on pages 213 and 217 from the Polish-language book **[1JG9.4]** by Andrzej Olszewski, "Paradoksy tajemnicy wszechświata" (i.e. "paradoxes of the mystery of the universe"), Warsaw, 1998, ISBN 83-900944-2-8 - the part of which about the lack of decomposition of human bodies before the Great Flood is discussed in subsection JG9.4 from volume 8 of my newest [monograph \[1/5\]](#). A large proportion of the pre-flood people grew also to sizes of giants.

#A5. The information contained in the Bible, that in fact there are two different kinds of time and two different speeds of elapses of these times. For example, the information from verse 3:8 of "2 Peter" - quote: "But do not ignore this one fact, beloved, that with the Lord one day is as a thousand years, and a thousand years as one day". This information should be interpreted, amongst others, that there are two different kinds of time, and that God lives in a different time than us, so that when in our artificial "reversible software time" elapses just one day, in the natural "irreversible absolute time of the universe", in which lives our God, can elapse even around 1000 years. An information about the existence of two kinds of time with two different ways of elapsing is also encoded in the choice of words with which in the biblical "Book of Genesis" God describes the smooth passage of time during the creation of the world and people, and then describes reversibility and jumping character of time which existed after the Great Flood - e.g. see the quotation from item #D5.1 of this web page.

#B. A wealth of evidence contained in regularities of the development and the history of the mankind. Until the biblical Great Flood the humanity was developing chaotically. But after the flood suddenly occurred the clearly noticeable regularity in its development and history, that could only occur if its development and history initiated at that time is intelligently controlled in compliance with a divine "scenario" pre-planned in advance - that is, in compliance with the "omniplan" described in items #C3 and #C4 above, that manages the "reversible software time". Here are easiest noticeable by nearly every person examples of these regularities in the development and history of the mankind:

#B1. The fulfilment of prophecies. As it is explained in the introduction and in item #C3 from another mine web page named [prophecies.htm](#), the fulfilment of so-called "prophecies" would NOT be possible if the fate of humanity and the Earth is NOT ruled by the pre-planned in advance by God "scenario" described

under the name of "omniplan" in items #C3 and #C4 of this web page. But prophecies actually do fulfil themselves - especially if they originate from the Bible (which fact is already proven by a huge body of various scientific evidence). For example, the majority of prophecies concerning the history of humanity that are provided by the Bible, already has fulfilled itself with the precision of a Swiss watch - as an example consider the described in item #N1 from my web page [quake.htm](#), the 1,260 years long period of the political power of the Roman Catholic Church (i.e. from 538 AD to 1798 AD), foretold in the Bible and described in verse 7:25 from the biblical "Book of Daniel". Of course, some non-biblical prophecies formulated by selected humans also fulfil themselves - only that among people a lot of "**false prophets**" appears, who either simply are wrong, or who pretend that they know what the future is to bring us (their predictions typically do NOT fulfil themselves). Moreover, even in fulfilment of prophecies told to us by people who are inspired by God, God also is forced to make deliberate inaccuracies. After all, God must constantly remind the mankind that every human is imperfect and fallible, and furthermore God must also avoid assigning the undeserved statute of a "prophet" to e.g. immoral individuals who by some accident were able to predict that something is to occur - for details see the final part of item #B8 from my web page named [seismograph.htm](#). So usually from the prophecies of people supported by God is fulfilled only "what" is to happen, but these people can drastically be erroneous in the matter of "when" it is to happen, "who" and "where" is to carry it out, etc. - for details about this "what", "when", "who", etc., see item #C3 from my web page named [prophecies.htm](#). As an example of the human prophecy, which already fulfilled itself, consider the prophesied by Nostradamus the inventing of my [Magnocraft of the third generation](#) (on this web page also called a [Time Vehicle](#)), described in more details in item #H1.1 from my page named [prophecies.htm](#). That prophesied by Nostradamus invention of my Magnocraft already fulfilled itself, only that the construction of this starship is still awaiting to be completed by humans. So the fulfilment of prophecies is the further proof, that since the Great Flood people and Earth actually are subjected to both kinds of time described on this web page. At the same time it is also the proof that God exists - as only God could pre-program the non-existing in nature "reversible software time" and then also reprogram humans for the life in this artificial time created by Him.

#B2. The pre-planning in advance of the order and type of inventions.

The best proof of this preplanning is the so-called. "cyclic table for earthly propulsion systems" that I invented (or discovered) yet in 1972, and the implications of which I briefly described, amongst others, in items #C3 and #H1.1 from my web page named [prophecies.htm](#), while I discussed it in great detail in item #B1 from the web page named [propulsion.htm](#).

#B3. The loosing of every war by the aggressors. A few examples of aggressive wars, which in the final effect were always lost by aggressors, is discussed on the web page named [bitwa o milicz uk.htm](#) - with the summary presented over there in item #I2. That systematic loosing of wars by aggressors could NOT have happened if the fate of humanity is NOT ruled by the divine "omniplan".

#B4. The work of the principle of the "extinction of most immoral". Without reprogramming of human bodies during the Great Flood to the work

according to the "reversible software time", it would NOT be possible the consistent implementation by God of the "**principle of the extinction of most immoral**" described in more detail in items #G1 to #G6 from the web page named [will.htm](#), and in item #B1 from the web page named [changelings.htm](#).

#B5. The consistent work of the divine educational method for people, named the "principle of reversals". This principle is described in item #F3 from my web page [wszewilki_uk.htm](#), while its use is justified in item #B1.1 from the web page named [antichrist.htm](#). In turn, the consistent implementation of it on Earth is continuously documented by events from the world around us. However, the consistent implementation of this principle would NOT be possible if during the biblical flood, people were NOT reprogrammed to a life in the "reversible software time".

#C. A wealth of evidence that is contained in the world that surrounds us, and thus that is scientifically verifiable by any interested researcher. It includes, among others:

#C1. The existence on the Earth of two drastically different rates of ageing, which, for the more observant people, can be noticed even with the naked eye, i.e. the slow ageing of people, and the shockingly rapid ageing of rocks and fossils (e.g. bones of dinosaurs, coal, etc.). The reason for the existence of these two different rates of ageing is that people are subjected to the "reversible software time" artificially pre-programmed by God, while all minerals (including rocks and fossils) are subjected to the naturally existing in nature the "irreversible absolute time of the universe" - as it is described in items #A1 and #C4 of this web page, as well as, amongst others, in item #H2 from the web page named [god_exists.htm](#), item #G4 from the web page named [dipolar_gravity.htm](#), or items #C3 and #H1.1 from the web page named [prophecies.htm](#). The fact, that to the ageing consistent with the "irreversible absolute time of the universe" is only subjected everything that could NOT be reprogrammed on the Noah's ark, is one amongst many confirmations, that the introduction of artificially pre-programmed "reversible software time" had to take place when all of living creatures having DNA were on that ark. That fact, that hard rocks in just a few years can be subject to changes of shapes for which the natural erosion should take them millions of years, I noticed already a long time ago in several places of New Zealand, for example, on the volcanic rock of so-called "Lawyers Head" from Dunedin, or on the rocky path to the lookout platform for penguins watching in Oamaru - which I had documented long ago at the end of item #H2 from my web page named [god_proof.htm](#). Similar sightings were also reported to me by several more observant amongst my friends.

#C2. Remains of living creatures from before the Great Flood (such as bones of dinosaurs), which due to being subjected to the action of "irreversible absolute time of the universe" are aging much faster than the remains of creatures that lived after the Great Flood. For example, everything that lived before the flood, until today turned into fossils the age of which science estimates at millions of years. In contrast, everything from after the flood, already lived in the "reversible software time", thus is at most 6,000 years old - for details see item #H2 from the web page [god_exists.htm](#).

#C3. Limiting the action of "reversible software time" only to living creatures that have their DNA - the ancestors of all of which creatures were

on the Noah's ark. If the "reversible software time" would be introduced by God already at the stage of creation of the physical world, then it would work on everything that exists in the physical world - which situation would represent much more optimal and elegant pre-programming of this world, than the visible today "patching" tolerated in the current work of physical world accordingly to two different kinds of time. But since God was forced to resource to this "patching", this is the sign, that He has programmed and introduced the "reversible software time" only much later than the time of creation of the physical world, while using for this purpose the presence in the Noah's ark of all living creatures equipped in DNA.

#C4. Differences of ages between the human history documented in writing or in organic matter, and documented with data entrenched into rocks and fossils. Historians and archaeologists derive their dating from several different sources, for example from various written records made by people, from remaining organic matter, from dating of objects of mineral nature, from fossils, etc. As it turns out, sources of dating based on everything for which the rate of ageing has NOT accelerated after the biblical Great Flood, for example, based on writings or on organic matter, give the age of mankind not greater than 6,000 years. In contrast, sources of dating based on everything that after the Great Flood ages about 365 thousands of times faster than humans, for example based on drawings from walls of caves, on fossilised human footprints, etc., give the age of mankind reaching tens of thousands of years (e.g. in cases of drawings from caves) or even millions of years (e.g. for fossilized human footprints). Scientists who believe in [evolution](#) interpret this fact, that the humanity evolved millions of years ago, while groups of humans were painting cave walls tens of thousands of years ago. However, such an interpretation overlooked is the fact, that during the Great Flood a different kind of artificial time was introduced to people, which causes that humans and organic matter age about 365,000 times slower than minerals, rocks, caves and fossils.

#C5. The need for iterative improvement of the physical world and people. When God created the physical world and the people, He pre-programmed their work according to the "irreversible absolute time of the universe". After all, until today the oldest part of it and practically the most of this world, i.e. all elements, minerals, rocks, planets, stars, etc., still work according to this natural absolute time. Also, it would NOT make a sense to complicate the act of creation by chaotic pre-programming (already since the beginning) of two different kinds of time in the operation of one physical world. Anyway, before the creation of humans and experiencing their existence, God had NO way to learn, that their lives according to the natural absolute time proves to be impossible to control. As God Himself admits this in the Bible, after the creation of the world and the people God considered everything (including also the work of entire physical world according to the natural absolute time) to be "very good" (see Bible, "Genesis", 1:31). Currently, however, humans and all living creatures with DNA are already living by the artificially programmed "reversible software time" - which allows God the continuous iterative improvement of them, described in item #C3 from the web page named [prophecies.htm](#). Because so drastic reprogramming lives of humans and all other living creatures onto the artificial jumpy kind of time, required the reduction of their numbers to just a few living

individuals, the only period of time when this reprogramming could take place, was the Biblical Great Flood during which was destroyed almost the entire population of the Earth - except for those few reprogrammed individuals.

* * *

There is a huge number of various consequences of the documented above introduction by God, starting from the date of the Great Flood, of this artificially programmed "reversible software time", and thus subjecting the physical world to a simultaneous action of two different kinds of time with two different speeds of elapses. These consequences dramatically change the rules on which actions should be implemented in virtually every area of human activity. For example, in every kind of dating they require that the present units of the elapse of time, such as year, day, hour, etc., should relate only to everything that contains DNA. For dating of everything that is ageing accordingly to the "irreversible absolute time of the universe", e.g. for dating of metals, rocks, fossils, etc., need to be introduced completely different units. In turn, for example in all analyzes of actions it is necessary to take into account the fact, that **God is constantly improving our physical world**, using the method which under the name "**iteration**" is described in item #C3 from the web page named [prophecies.htm](#). Hence, the majority of quantities which now we see and experience around us, and which the old "atheistic orthodox science" tell us that they are "unchangeable", for example the majority of already completed activities, principles, phenomena, laws of nature, physical constants, appearances, written texts, structures and positioning of buildings, locations of human settlements, etc., in past were NOT necessary the same as are now, nor must be the same in the future. In fact, I already experienced in my life, and described in a number of my publications, changes of many supposedly "unchangeable" quantities listed here.

However, in my opinion, the most important consequences of the simultaneous existence and operation in our physical world as many as two different kinds of time, is that because of the ignorance and arrogance of that old, official, "atheistic orthodox science", this science completely "got things wrong" in all matters relating to the essence of time, operation of time, speeds of the passage of time, dating, etc. For example, in spite of the researching of the physical world since the time of Archimedes, present scientists still do not realize that the various components of our physical world are subjected to the action of these two different times with two drastically differing speeds of elapses, and thus that e.g. rocks and fossils get older hundreds of thousands of times faster than individual people and the entire mankind. As a result of this state of things, **practically everything that the old, official, "atheistic orthodox science" tells people about "time" is untrue, is a kind of "scientific nonsense", and is the misleading of people and making them to err**. In addition, the oversight by the old science of the fact, that the artificially pre-programmed by God "reversible software time" does exist and works, while it naturally could NOT appear in the universe, deprives people of one amongst the most clear items of evidence for the existence of God. In the light of what explains e.g. item #I1 from the web page [quake.htm](#), such pushing people into acceptance of the "scientific nonsense" really spoils lives of all those poor people who entrust the findings of the present "atheistic orthodox science" and whose actions are guided by what this science tells them. Another important in my opinion consequence of the

simultaneous existence and operation of these two different kinds of time, is that it reveals how much complacent is the present official science in its claims, as well as how dangerous for the whole mankind is a monopoly of this science in the official dissemination of knowledge. After all, errors, blindness and distortions of this science, NOT only that just led us to the visible today ruining of the Earth, and NOT only that allow this science to lead the entire humanity into an abyss, but it also destroys the harmonious coexistence of people with God. It is about time that the official launch of the new "**totaliztic science**" takes away the "monopoly for knowledge" from this old science, and restores a balance to the human development - as it is explained in items #C1 to #C6 from the web page named [telekinetics.htm](#).

Part #D: Evidence and proofs that time has a software character, and thus that it can be shifted back:

#D1. Here is how each one of us can see with own eyes that time flows in jumps (i.e. time has a discrete character), and thus that my findings regarding the possibility to build time vehicles and to live forever are correct and can be implemented technically:

YES, yes! In fact there is a generally noticeable phenomenon, which can provides each person with a conclusive experimental proof for the existence and for the work of this artificially pre-programmed by God, passing in jumps, the so-called "**reversible software time**" - in which time live all the people and all the creatures having DNA. This phenomenon represents therefore also a commonly available experimental proof for the feasibility of building my "Time Vehicles" and for the ability of these Time Vehicles to shift us back in time. Every reader can see this proof with his or her own eyes and in a natural daylight. In order to see it, it is enough to find some spinning object which is accelerating slowly from zero to the velocity of around 1800 flickers per second, and which has some spokes, holes, wings, propellers, unevenness, lines, etc., the increasingly faster flickering of which we are able to see with our own eyes in a daylight. For example, this object can be a gradually accelerating propeller of an airplane or blades of the entrance turbine in a jet engine just being started, a hole in a belt pulley from a

three-phase electric motor which accelerates a heavy farm machinery - and thus which gradually increases its spinning from zero to a typical for such motors speed of 1800 rev/min, a wheel of a car that is overtaking us, and even spokes from the back wheel of our bicycle placed on a floor with wheels pointed upwards and gradually accelerated by someone when we are tentatively watching it. Well, if we carefully watch such slowly accelerating spinning object, then we should see a strange change of its direction of rotation. Namely, initially our eyes are to notice clearly in which direction it is spinning. But at some stage of the acceleration our eyes are to tell us that the spinning of this object firstly stopped, and then reversed direction in relation to reality. This visual impression taking place in daylight, that the direction of spinning of a gradually accelerated object is opposite to the real direction of its spin, is the proof that time passes in jumps - as the [Concept of Dipolar Gravity](#) describes this to us, and thus also the proof that time vehicles can be build. More information about this visual proof that time passes in jumps is explained in item #D2 of the web page [god_proof.htm - with the review of scientific proofs for the existence of God](#), and also in item #A1 of the web page [timevehicle.htm - about time vehicles and principles of technical shifting time back](#).

It is enough to learn two things in order to understand why exactly this visual impression that spinning objects rotate backward is the proof that time can be shifted back (and thus that time vehicles can be build and that through repetitive shifting time back to years of our youth we could live forever). Namely learn (1) the use of so-called "stroboscopic lamps" for visual stopping or for changing the direction of rotation of spinning objects, and (2) the principle on which time works. The use of stroboscopic lamps is described in many sources, e.g. in Internet, in manuals for repair of cars, and in textbooks of physics. So I am NOT going to repeat it here. In turn to understand the principle on which time works, one needs to read item #C1 from this web page, or even better - item #G4 from the web page [dipolar gravity.htm - about the Concept of Dipolar Gravity](#). When reading in there about time, we will learn that time in fact is the passage of execution control along the natural program of our life. This program is composed of sequences of individual commands - like present computer programs also are. So the execution control runs a command after a command in a jumping manner. Thus, when we look at a spinning object, the completion of each of these commands in our life program is like a single flash from a stroboscopic lamp beamed at a spinning object. So if this object spins very fast, then the completion of a single command from our life program shows this object to us just only in a specific position. Therefore, when the frequency of flickering of spokes in this spinning object is close to the frequency of completion of individual commands in our life program, then both these frequencies begin to interfere with each other - we see this interference as an apparent reversal of the direction of spin of the object being watched. A similar effect, only that seen exclusively in darkness - instead in the daylight, is simulated in spinning objects through the use of repetitive flashes of "stroboscopic lamps".

Of course, as one should expect and as it is very easy to verify, present official and highly paid science has NO clue why the effect described here in fact appears in the daily light on spinning objects. After all, present scientists reject the entire my Concept of Dipolar Gravity and scoff at my discoveries. Thus they

also reject my explanation of this effect as being caused by the jumpy elapse of time. In turn, without acceptance of the fact, that time elapses in short jumps and pulsates like a "stroboscopic lamp", this phenomenon cannot be explained. Predictably, present scientists are NOT going to openly admit that they are ignorant in this particular matter. When I discussed the proof described here in internet on [google discussion groups](#), various "experts" crudely tried to hide their ignorance by arrogantly playing wise men through using scientific terminology of the kind "stroboscopic effect", or "inertia of human body". However, these well-paid "experts" were unable to explain neither mechanism which causes that whirling objects look as if they rotate backward, nor indicate any evidence that this their "highly scientific" terminology actually is confirmed by any other already researched attributes or phenomena.

After the [Concept of Dipolar Gravity](#) explained to us what is time, how time works, and what commonly-known and accessible proof each one amongst us can see to obtain the assurance that these explanations are true, it should become easy for us to understand that shifting time back is possible and relatively easy. After all, in order to shift our time back it is enough to catch this execution control and to move it to the initial part of the program of our life. In turn the device capable to accomplish this is already known. It is the so-called [Oscillatory Chamber of the third generation](#) - which I would constructed many years ago if not these hordes of hostile people who did everything in their power to prevent me from building this wonder device.

I do NOT wish to extend this web page by proving here also that every evidence for the elapse of time in small jumps, is simultaneously another proof for the existence of God. After all, the reader should be able to deduce by himself or herself, that time which elapses in jumps, and thus which can be shifted backward, could be implemented only in case when God does exist and thus when He intentionally designed time just in such an extraordinary manner. (For details see the description of so-called "timespace" constructed by God and explained in items #C6 and #E1 of the web page [timevehicle.htm - about the work of time, time travel, and about time vehicles](#).)

The above, commonly accessible, visual proof for the jumping (discrete) character of time, is also described in item #D2 of the web page [god proof.htm - with the review of scientific proofs for the existence of God](#), in item #A1 from the web page [timevehicle.htm - about time, travelling in time, and about time vehicles](#), as well as in subsection M1.3 from volume 11 of [monograph \[1/5\]](#).

#D2. Method and equipment for experimental determination of the speed of time elapse in individual people:

The physical proof described above, for a jumping (discrete) character of time, provides us simultaneously with a principle for measuring the speed of

elapse of time in individual people, as well as provides us with a first instrument for measuring this speed. As the philosophy of **totalizm** explains this, time does NOT elapse with the same speed for every person and for every situation. For example, this speed changes with age, thus e.g. for older people time flows much faster than for youngsters. Also in situations that release powerful feelings time clearly changes the speed of flow. Therefore, if we construct a kind of propeller which is to measure precisely for a given person the frequency (speed) of flickering at which this person notices that the propeller apparently changes the direction of rotation into an opposite one, then we obtain an instrument for measuring the speed of elapse of time in individual people.

The design of such an instrument for measuring the speed of elapse of time in individual people is so simple, that it is possible to be completed just by technically inclined hobbyists and by DIY (i.e. do it yourself) people. On the other hand, because there is NO hope that such measurements are going to be carried out by present professional scientists who are so hostile towards my theories and results of my research, herewith I am strongly encouraging the reader to build such an instrument if he has such possibilities, so that he could help me in my research - according to descriptions from item #K2 below on this web page. In turn, after the instrument is build, I strongly encourage to measure, both in himself, and also in other people who are different by age and by emotions experienced, the speed of individual elapse of time. Then I would ask to send me outcomes of these measurements. The basic component of such an instrument for measuring the speed of time, is a small electric motor with regulated rotational velocity. The best if it would be possible to get a motor which could be supplied in electricity from an oscilloscope. Then it would NOT be necessary to measure its rotational velocity, as this velocity would be indicated by the OSCILLOSCOPE. To the exit axe of this motor a single-armed propeller should be attached with a clearly visible pointer - e.g. painted in black or white. Furthermore, it is needed to link this motor with some electronic system for measurement of its rotational velocity. The measurement itself would boil down to a gradual increase of the rotational velocity "rpm" of this electric motor, and to a simultaneous careful watching in daylight the single pointer spinning. The velocity of the elapse of our own time will be indicated by the rotational velocity "rpm" of the electric motor from this instrument, in which the single-armed pointer will make a visual impression on us that it stopped its rotation (i.e. the moment of time just before this pointer begins to appear as if it started to rotate in the direction that is opposite to the real one). The best is to express this speed of the elapse of one's own time in Hertz (Hz) units. So if our measuring instrument captures the rotational velocity "rpm" in "rotations per minute", and if we use only a single-armed pointer-propeller, then our velocity of the elapse of time expressed in "Hz" is given by the equation " $\text{Hz} = \text{rpm}/60$ ".

It is worth to remind here, that the measuring device described above fulfils the known saying that the "simplicity is a key to success". After all, it is extremely simple. In its simplicity it resembles the first measuring device of electronics, means an **electroscope**. And we need to remember, that this long path which electronics crossed on its way to present success, also started from such a hugely simple discovery. After all, the beginning of electronics was when the inventor of electroscope discovered that if a rubbed amber is touching two gold

leaves, then these leaves repel each other. In this way was build the first measuring instrument of electronics (i.e. an electroscope) which indicated the presence of electricity. Then people learned how to utilise this electricity. From this come out that today we have computers, television sets, and telecommunication satellites. Similarly is with this simple device that I described in previous paragraphs. It begins from a simple discovery, but it can lead the humanity to immortal lives. After all, it is this humble beginning, or more strictly this tip of a symbolical "submerged iceberg", which can be noticed because it sticks out above the surface of water.

On the device discussed here it is worth to carry out the measurements of the speed of elapse of time for at least two people with a drastically varying age, e.g. on a teenager and on a retired person. The reason is that the bigger the difference in age, the bigger also should be the difference in speeds of the elapse of time.

The experimental measurements of the speed of elapse of time in individual people may lead us to shocking discoveries. This is because such measurements NOT only confirm that time has a software nature - as it is explained by the [Concept of Dipolar Gravity](#), but also that e.g. some people are obese NOT because of their genetics or amount of calories that they eat, but e.g. because their day is much shorter than a day of slim people - thus some obese people may have not enough time to burn all calories that they eat.

The above method of measuring the speed of elapse of time in individual people is also discussed in item #D2 of the web page [god_proof.htm - with the review of scientific proofs for the existence of God](#).

#D3. Examples of evidence originating from living organisms, which confirm the software nature of time, and thus confirm the possibility of building "time vehicles" described here:

Organisms of people and animals are sources of a wealth of evidence for the software nature of time. In turn, through confirming that time has a software nature, this evidence confirms also that time can be shifted back, and that "time vehicles" described on this web page can actually be build. Below I am providing examples of most commonly known cases of such evidence.

#D3.1. Biological examples of evidence for different speeds of the discrete elapse of time for each species,

each age, and for each kind of intense emotions:

The software time described by the **theory of everything** called the **Concept of Dipolar Gravity** has this attribute that it does NOT elapse with the same speed for all living creatures. Practically time elapses with a different speed for each species of living creatures. For example, for a fly or a mouse, it elapses many times faster than e.g. for a snail or a tortoise. Also within a given species of creatures, e.g. within the population of people, speed of the elapse of time changes with the age and with the intensity of feelings that one experiences.

Most clearly changes in the speed of the elapse of time are revealed to people during accidents that endanger their lives. People who experience such accidents report later that time slows then down to almost a snail speed. It is the empirical finding which almost constitutes a kind of a proverb, that a person who falls from a roof, in a short time when he or she flies between a roof and a ground, has enough time to have a picturesque review of the entire his or hers life. Of course, such a review would be impossible if the time passed then with a normal speed. A similar experience of a huge slowing down of time report all people who went through the so-called "NDE" (Near Death Experience).

On the other hand, if one thinks about it thoroughly, if the elapse of time was an objective and constant quantity - which our official science claims it to be, then it should elapse with exactly the same speed for all creatures, for all ages, and for all emotions. For these reasons, the **empirical findings and experiences of biological sciences that in some situations and for some species time flows with different speeds, in fact represents biological evidence for the software character of time and for the possibility of building time vehicles.**

* * *

In addition to facts described above, there is also a vast pool of evidence that the elapse of time is a kind of "program" stored in our genetic system (or more strictly in the so-called "program of life and fate" stored in DNA from our genetic system). More comprehensive discussion of this huge body of evidence is provided in item #J6 from the web page wszewilki.jutra.uk.htm.

#D3.2. Transplanting of characters of organ-donors confirms that DNA contain software so-called "programs of life and fate":

Since the time when people started to transplant hearts, kidneys, lungs, liver, and other ill organs from one person to another, it started to turn out that together with transplant of organs receivers obtain also attributes of donors' character. For example, in receivers of such organs rapidly appears a taste for food and for music which was liked by organ donors, they rapidly change their daily routines into similar to these in donors, rapidly experience allergies or phobias which had donors, rapidly become sad, difficult, or humorous - exactly like donors used to be, etc., etc. Accumulated already is a huge amount of evidence for such transplanting attributes of character from donors into receivers of organs. For example, I saw even a part of American documentary series entitled "Weird or

What?", in New Zealand broadcasted on TVNZ 3 at 7:30 to 8:30 on Monday, 31st January 2011, in which documented were numerous examples of such transplant of attributes of character.

If one considers thoroughly the phenomenon documented by these facts, then it turns out that does NOT exist any other possibility of transplanting the character of donors into receivers of organs, than via the software "program of life and fate" described on this web page. After all, if this transplanting of character is explained (as it is done by present science) by any mechanism of a "hardware" memory, e.g. memory written permanently into the biological structure of cells from a given organ, then still it disallows to explain the mechanism which would convert this hardware memory of cells into fate (i.e. into character and actions) of a given person. This is because such a hardware memory can be compared to having a piece of paper with the content of an email - which still does NOT allow the receiver to read this email (for a receiver to read and implement this email, still it is necessary to have a typist, a "Cyber Cafe", the Internet, and a receiving computer link to Internet). But the software coding of the "program of life and fate" explains in one go all mechanisms of this phenomenon. In turn the confirmation by evidence described here, that the transplanted organs shift to the receiver their own software "program of life and fate", is simultaneous with the confirmation that time has a software nature, that time can be shifted back, and that "time vehicles" can be build - as it is explained by this web page.

#D4. Evidence for the possibility of shifting time back that originate from research on UFOs:

UFOonauts already for a long time use on the Earth their "time vehicles". Therefore UFO research is the provider of the largest number of evidence for the feasibility of building time vehicles and for the capability of people to shift back in time. On this web page some amongst these items of evidence are going to be discussed in item #G1 below.

Various items of evidence for the use of time vehicles on the Earth by UFOonauts is also described on several web pages of totalizm. For example, it can be found in item #D6 and in part #D of the web page [timevehicle.htm - about time, travelling in time, and about time vehicles](#), or in item #F1 of the web page [explain.htm - about scientific interpretation of authentic photographs of UFOs](#).

#D5. How the Bible confirms the principle of overcoming death through reversing

the passage of time with backing motion of "shadow" along the staircase of DNA helixes:

Motto: "The Bible is NOT a list of free recipes for lazy and ignorant people. Rather it is a bundle of puzzles aimed at confirming and supporting these people who with their effort earned learning some extremely vital truths."

Many people probably will be shocked to learn that the Bible contains in its verses the confirmation for principles on which "DNA" can be used in the operation of "time vehicles". After all, the Bible was written still in antiquity - when no human had an idea about DNA nor about time vehicles. This is why a majority of present scientists feel that they can ignore or dismiss the Bible to be just a collection of fables and stories told by ancient shepherds. But this ancient Bible NOT only confirms the role of DNA for the principles of operation of time vehicles. It also confirms that the ability to shift back in time accomplished due to DNA, allows people to overcome death and to accomplish the access to infinitively long life. In other words, this ancient Bible contains the confirmation of exactly the same principles of overcoming death and accomplishing immortality, which I had the honour to work out only in 1985 on the basis of my **theory of everything** called the **Concept of Dipolar Gravity**, and which I described in more details on this web page. Let us remind these principles here. The immortality is explained by them as the outcome of using "time vehicles" for repetitive shifting selected people back in time to years of their youth, each time after these people reach an old age and are close to death. In turn the principle of shifting these people back in time boils down to shifting back the indicator of so-called "execution control" (i.e. to shifting back something like a "computer cursor") in natural so-called "programs of life". For every person these "programs of life" are written in the double spiral of DNA which by its appearance resembles stairs in a spiral stairway.

The Biblical confirmation of the principle of overcoming the death through shifting time back is described in first 11 verses from the "2 Kings" 20:1-11. In these 11 verses, the Bible describes a case of shifting back time for a historic figure, i.e. for the king of Judah named Hezekiah. This king ruled over Jerusalem for 29 years from 729 till 716 BC. He was famous from his devotion to God. Thus, when he got ill and supposed to die, God decided to extend his life for further 15 years - through shifting his time back. To the shock of present historians, this shifting his time caused, that while being already a king, he again landed in times when the king was his father named Ahaz. (In Judah a new king could assume the throne only after the death of the previous king.) In the result of this, in the second passage through time, for a significant proportion of his rules he needed to co-regent with his father. This his co-reign with his father is confirmed by the historic sources - thus indirectly also confirming that the time of Hezekiah was really shifted back. In the Bible king Hezekiah is mentioned in many places. For example, in "2 Chronicles" entire chapters 29 to 32 are devoted to him. Biblical verses from "2 Kings" 20:1-11 discussed here, describe in details how God

carried out this shifting Hezekiah back in time. This description, and also technical data provided in the Bible and supplemented with the excellent selection of words and illustrative comparisons, provide us now with the confirmation of correctness for all key principles described on this web page. The further analyses from this item are to indicate, that principles of shifting back in time described in the Bible, similarly to principles of shifting back in time described on this web page, boil down to moving back the special "indicator of execution control" within super-coils of DNA double helixes.

In item #C5 of the web page [bible.htm](#) - a principle used by God is explained (which is also a God's recommendation and example for people). It states that "confirmations for every matter must be seek from two or three independent witnesses or sources". This is why, to increase our certainty, the description of principles of overcoming death through shifting us back in time, is discussed thoroughly and repeated in the Bible in two separate books. Thus, independently from the indicated above "2 Kings" 20:1-11, the same principles are repeated also in "Isaiah" 38:1-8. Furthermore, their occurrence is additionally confirmed in "2 Chronicles", 32:24-26.

#D5.1. Let us have a look at these 11 verses from "2 Kings" 20:1-11:

Because NOT every reader is going to have a copy of Bible in hands while reading this item, I decided to quote here these short 11 verses from "2 Kings" 20:1-11. The quotation which I am providing below originates from the Bible used by Catholics and entitled "Good News Bible", American Bible Society, 1976 - note that in the next item I am using quotation from a different Bible. So here is these extremely important 11 verses:

20:1 About this time King Hezekiah became sick and almost died. The prophet Isaiah son of Amoz went to see him and said to him, "The Lord tells you that you are to put everything in order, because you will not recover. Get ready to die." 2 Hezekiah turned his face to the wall and prayed 3 "Remember, Lord, that I have served you faithfully and loyally and that I have always tried to do what you wanted me to." And he began to cry bitterly. 4 Isaiah left the king, but before he had passed through the central courtyard of the palace the Lord told him 5 to go back to Hezekiah, ruler of the Lord's people, and say to him, "I, the Lord, the God of your ancestor David, have heard your prayer and seen your tears. I will heal you, and in three days you will go to the Temple. 6 I will let you live fifteen years longer. I will rescue you and this city Jerusalem from the emperor of Assyria. I will defend this city, for the sake of my own honor and because of the promise I made to my servant David. 7 Then Isaiah told the king's attendants to put on his boil a paste made of figs, and he would get well. 8 King Hezekiah asked, "What is the sign to prove that the Lord will heal me and that three days later I will be able to go to the Temple?" 9 Isaiah replied, "The Lord will give you a sign to prove that he will keep his promise. Now, would you prefer to have the shadow on the stairway go forward ten steps or go back ten steps?" 10 Hezekiah answered, "It's easy to have the shadow go forward ten steps! Have it go back ten

steps." 11 Isaiah prayed to the Lord, and the Lord made the shadow to go back ten steps on the stairway set up by King Ahaz.

Herewith I am inviting you to accompany me in the detailed analysis of the above 11 verses from the oldest part of the Bible. These verses (1) confirm the role of DNA in principles of accomplishing immortality, (2) confirm the principle of shifting people back in time, and (3) confirm the software nature of time. As such, these verses confirm principles and phenomena which in times of writing the Bible were known only to God. I interpret scientifically the content of these 11 verses on basis of the knowledge which I accumulated so far on subjects these verses concern. Perhaps learning by the reader what these verses really state would allow also him or her to experience the same feelings of awe and amazement which I experienced in October 2009 when for the first time a realisation of the content of these verses has opened for me. After all, for me learning the true meaning of these verses was like witnessing a miracle with my own eyes. The verses confirmed that the principle of operation of "time vehicles", which I worked out and described only in 1985, in fact the Bible has described over two thousand years ago. Only that the previous generations of scholars were blind to these principles. Furthermore, the verses also documented that already in ancient times God knew exactly that one day on the Earth a man will appear, who is to understand and appreciate this reassurance and support that God prepared so long ago in His Bible (as it appears from the quotation provided at the beginning of the web page [god.htm](#) - already then God knew even the name of that man). So these verses reveal how farsighted and foreseeing are thoughts of God. They also reveal how **awesome** is our God!

#D5.2. Let us analyse together what these 11 verses from "2 Kings" 20:1-11 are really saying:

For me personally the most impressive is the precision and skills with which in just 11 sentences-verses from "2 Kings" 20:1-11 God managed to confirm all key principles of overcoming death through shifting back the "software time". (On this web page just brief descriptions of the same principles filled the entire web page.) To be even more difficult, these Biblical descriptions God so coded, that for atheists and for people who did NOT went through the trouble of learning the described on this web page principles of shifting the "software time" back, these Biblical verses look like fables of ancient shepherds. Really, the Biblical confirmation of principles of shifting back in time discussed here, constitutes also the confirmation of thesis explained in items #C1, #C5 or #C11 of the totaliztic web page [bible.htm](#) - namely that "the Bible opens its true content only to believers and to people initiated into the given knowledge". But returning to the precision and skills with which in 11 sentences of "2 Kings" 20:1-11 God confirmed the principles of overcoming death through shifting back in time, this confirming was accomplished through formulating the God's explanations into several phases. Namely, firstly in verses 20:1-3 of "2 Kings", God reassured the reader that a given description concerns a man who arrived to the end of his life and is to die. For example, in the verse 20:1 is written, amongst others: "...

Hezekiah ... you will die and will not live." Then in verses 20:4-7 God explained that He decided to extend the life of dying Hezekiah by 15 years. For example, in verse 20:6, God states "... I shall add fifteen years to your days..." Then, in verses 20:8-10, God utilises the analogy of motion of the sun shadow in only one direction to unambiguously confirm that this extending the life of Hezekiah is to be carried out through shifting him back in time. For example, in verse 20:10 is contained, amongst others, the statement "... the shadow should go backward ten steps." Finally, in verse 20:11, God utilises the knowledge of readers, in order to confirm for them that the principle of this shifting time back does boil down to moving back the execution control in the natural "program of life" stored in the double helix of DNA (i.e. the helix that looks like a spiral stairway). For this is used a hidden symbolism of "steps of the stairs of Ahaz" coded in the meaningful context of the expression "... he made the shadow that had gone down gradually go back on the steps, that is on the steps of the stairs of Ahaz, ten steps backward."

Some people like to skilfully mask the obvious meaning of their statements with the jocose "puns" (this is especially favoured by Englishmen). In such puns typically the same words are used in at least two different meanings. For example "Mr Close is not close". Unfortunately, as time progresses, people use puns increasingly less frequent - after all present minds are sterilised with the thoughtlessness of television and by rapid deterioration of educational level, so present people are NOT as clever as past generations. But in past it was different. For example on page 822 of the book "The Oxford Companion to the English Language", edited by Tom McArthur (Oxford University Press, 1992, ISBN 0-19-214183-X), under the keyword "Pun: In Scripture", is written "In ancient times, puns were used to suggest deep truths." Actually the older times we consider, the more appreciated puns were. So it should NOT surprise us, that in the Bible which God authorises, puns are used especially frequent. After all, puns hide also from unauthorised people the true content of whatever these verses are to say. Thus the same words used in verses of the Bible, relatively frequent have completely different meanings. In this way, in order to understand the depth of the Bible and to understand the true meaning of given verses, it is necessary to accomplish beforehand a deep knowledge in a given subject. An example of such "pun" taken from the Bible, when the word "water" is used once in the meaning of "counter-matter", while the other time in the meaning of real "water", is discussed in item #C3 of the totaliztic web page [god_proof.htm](#), and in item #B5 of the web page [evolution.htm](#). Due to the use of such "pun" with two meanings of the word "water", the Biblical descriptions of the process of creation of the physical world effectively camouflage their true meaning from unauthorised and ignorant people. Similarly, in order to camouflage against unauthorised and ignorant people the true meaning of verses from "2 Kings" 20:1-11, in these verses words "shadow" and "Ahaz" are used in two completely different meanings (i.e. the same word replaces in there two different words). For example, the first use of the word "shadow" refers to a real "sun shadow". But the second use of the same word "shadow" refers in there to the "indicator" (i.e. a kind of "cursor") in a "system for controlling the execution run". Similarly, in the majority of the Bible the word "Ahaz" refers to a historic person, i.e. to the king of Judah named Ahaz - which ruled in years 735 to 715 BC. (This king was the

father of king Hezekiah - i.e. the one whose time was shifted back. The Bible refers to this king's name "Ahaz" in a number of places, for example in "1 Kings" - see in there the entire chapter 16, in "2 Chronicles" 28:22-25, and in "Isaiah" - see there the entire chapter 7.) But in the verse 20:11 from "2 Kings", the word "Ahaz" refers NOT to a person with this name, but to a "system of execution of time control". Let us explain now more comprehensively why it is so.

In the Bible the word "Ahaz" most frequently is used just by itself or when being preceded by the word "king". But in "2 Kings" 20:11, the use of this word is preceded with the word "steps". In turn as we know from any language, a change of preceding word is able to completely change the meaning of a given word and expression. In this case, the change replaces the pointing at a "person" by pointing at an "object". So exactly what kind of "object" is indicated in this verse. The first hint about this "object" results from the revealing by the Bible that the "object" serves for expressing the elapse of time. Some Bibles even translate this word as "the dial of Ahaz". This means that the "object" is a kind of system or mechanism for expressing the elapse of time. A second hint on this object results from the meaning of the word "Ahaz". This word is an abbreviation from the word "Jehoahaz" - literally meaning "he who controls". Thus, after the change of indication from a "person" into an "object", the word "Ahaz" means something that today we would call with a more professional name of a "clock system for execution control". A third hint is a skilful use of the preceding word "stairs" in the verse discussed here. It indicates that the "object" actually has a shape of "stepped system of control". In still another hint, the meaning of this "stepped system of control" is linked with the circular motion of sun's shadows, thus suggesting that this "stepped control system" has the shape of a "spiral stairway". All these hints are still completed in the Bible with another set of information, namely with the quantitative data. For example, the Bible emphasises that the shifting back this "indicator of current time" (i.e. the "shadow") along such a "spiral and stepped system of control", by 10 steps, causes the shifting back person's life by 15 years. This quantitative data, in connection with the content of verse 6:3 from "Genesis", informs us that the spiral system of control about which we are talking here, contains in total as many as around 80 steps. (Means, it is rather huge.) Thus, all the above hints taken together, suggest that the Bible is talking about a really sophisticated and spectacular system, or mechanism. If such a system was really constructed by people in the kingdom of Judah (Jerusalem) - which is deprived of mountains, then it would become a kind of another "technical wonder of the ancient world". Numerous historical sources would brag about it throughout the entire ancient world. But in the history is nothing on this subject. It means, that for sure this system was NOT a product of human hands. Most clearly the Bible refers here to some system of control that exists in the nature. If we collect together all hints that the Bible provides regarding this natural control system, then its identification is obvious. It is the DNA double helix. Such DNA "natural spiral stairway" is the only natural creation that fulfils all attributes illustrated by hints contained in the discussed verses of the Bible.

In order to summarise outcomes of the above decoding, the verse 20:11 from Biblical "2 Kings" passes to us skilfully coded information, that in order to shift someone's time back, an "indicator of a current time" (i.e. a "shadow") must

be moved backward in the "system of control over the elapse of time" - which is DNA. In this way for people with the required knowledge who know the content of this web page, the Biblical verse reveals that the system of governing over the "execution control" in human "programs of life" is similar to a "clock control system" used in present computers for the control over the run of computer programs. All this taken together reveals to those people who know already principles of operation described in the content of this web page, that the verse 20:11 in fact confirms the principle of shifting back time through moving back the resonance point in the double helix of DNA. (Interestingly, for outside observers the resonance point in any vibrating helix resembles a "shadow" on this helix.) In spite that I frequently keep returning to reading the Bible, the true meaning of verses from "2 Kings" 20:1-11 discussed here I started to realise only in October 2009 - in spite that the principle of shifting back in time which is presented on this web page I knew already many years earlier (i.e. I worked out and described it thoroughly starting from 1985). Actually in October 2009 my attention to these verses directed my countryman, Mr Jerzy Miazgowicz (E-mail jurekrichard@gmail.com). This in turn realises how skilfully and effectively the true meaning of these verses was camouflaged from unauthorised people. Clearly, the intention of God in formulating these verses was to confirm and to reassure the inventor - after "time vehicles" are already invented and worked out, NOT to provide a "ready solution" to lazy and ignorant people who did NOT earn the honour of knowing how time travel is to really work. (In other words, "the Bible does NOT provide principles which people still do not know, but only confirms and supports principles which were already earned with a heavy effort". In this way the Bible also supports the canon that "everything that is moral must climb uphill in the 'moral field' along the so-called 'line of the greatest resistance' " - for more comprehensive explanations see "part #G" from the web page [eco cars.htm](#).)

The above is worth to be complemented with the emphasizing the influence which the Biblical confirmation of the principle of defeating death and accomplishing immortality described here introduces to our certainty of the existence of God. After all, a Bible which is NOT authorized by God would NOT be able to provide any information or references on a double helix of DNA. Furthermore, even a child is aware that if the Bible is NOT authorised by God, then in only 11 sentences cannot be contained so many precise and skilfully coded information that confirms principles of shifting time back. For example, just decoding principles - the description of which in the Bible occupies 11 sentences, for me required to write here over 3 pages of Word's text. In other words, apart from God Himself, no-one in the entire universe is able to skilfully pack so many precise technical information to 11 sentences written in ancient everyday language. In addition, the DNA helix to which these Biblical descriptions refer, was discovered only relatively recent. Only God Himself could know about the DNA helix in times of writing the Bible. For this reason, the Biblical confirmation of the principle of accomplishing immortality described on this web page, is both, still another proof that the "Bible is authorised by God Himself" (as this proof is explained on the totaliztic web page [bible.htm](#)) and also another scientific proof that "God really does exist". This proof can be added to a long list of similar scientific proofs for the existence of God indicated and interpreted on the totaliztic

#D5.3. How the moral awareness of humanity is to be lifted due to this biblical reassurance that time vehicles can be build and that these vehicles are to allow accomplishing immortality for people:

The [philosophy of totalizm](#) explains the role of physical world and our planet in the following manner: "The physical world and the Earth are intelligently pre-programmed and perfectly camouflaged machines which lift the moral awareness in souls passed through them." In other words, our lives on the Earth can be compared to passing grain ears through mechanism of farming machines for crop threshing. After such threshing in this "moral threshing machine" our souls are cleaned from the most dangerous desires to cultivate immorality. In turn for souls, which after passing through the life do not learn anything and still turn out to be unripe for "threshing" on the Earth from their inherited immorality, God keeps several further methods of uplifting their morality described on the web page [soul_proof.htm](#) (e.g. so-called "reincarnation" and repetitive passing through the "threshing machine" - as described by Hinduism, or the "hell" and "deletion" explained in the [Bible](#)).

If one considers the matter thoroughly, then it turns out that literally everything in our physical world was pre-programmed so intelligently that it constitutes a mechanism for natural uplifting moral awareness of our souls - for examples see item #G3 on the web page [eco_cars.htm](#) or item #D6 on the web page [evolution.htm](#). So let us explain now, how the biblical reassurance described here, that "time vehicles" can be build and that with the use of these time vehicles the humanity accomplishes an access to immortality, also represents a component of such mechanism for uplifting moral awareness in humans.

The reassurance described in the Bible for sure is to cause that with the elapse of time increasingly more people become tempted by the prospects of gaining an access to immortality through building time vehicles. Simultaneously the elapse of years combined with the lack of real progress in medical extending of longevity is to realise to people that in real life actually does happen what is explained in items #B2 to #B5 of this web page. In the result, after some time a decision maker will finally give in to the temptation and will finance the building of time vehicles. But when the humanity finally decides to undertake this building, then it is to turn out that - similarly as myself in past, also future builders of "time vehicles" are to be troubled by a powerful action of the "curse of inventors" - which is described in item #B4.4 from the web page named [mozajski_uk.htm](#), and in "part #G" of the web page [eco_cars.htm](#). This "curse of inventors" will make impossible the completion of "time vehicles" for as long until the true morality of least moral members of the society is lifted to the required level. In the result, if the humanity finally gives to the temptation to have time vehicles and to accomplish immortality through them, then people will have no other option but to

lift the moral level of even the most immoral amongst inhabitants of the Earth - see also item #11 below on this web page.

#D6. Filmed proof that time travel is possible:

It is 1928. Charlie Chaplin makes his movie entitled "The Circus". After some scenes, the camera is directed at the crowd that watch filming. Into the view of it comes a woman. Similarly as women almost 100 years later, she walks while discussing something intensely through the hand-phone. On the film clearly is visible her hand-phone and her engagement into the talk. This extraordinary take remains in film archives undiscovered for the next over 80 years. After all, in that times no-one knew what is a hand-phone. Such a telephone is NOT invented for further 50 years. Only near the end of 2010 a more inquisitive than others Irish film maker discovers the significance of this scene. After all, he is a professional who is able to distinguish an original from a fabrication. He also has a sufficient knowledge to understand what this scene shows. Besides, by people who do not know what it shows, the section of this film was disseminated for many years on the DVD with authentic copy of that old film. So it is absolutely certain, that the film shows an authentic old scene (not e.g. someone's modern fabrication). The original version of this scene is disseminated on the factory DVDs with copies of the film "The Circus", in the part of these DVDs named "Documents", under the title "The Hollywood Premiere". The section of the film containing this extraordinary scene the inquisitive Irish film maker placed fast in the YouTube, while the entire matter is reported to the world via press agencies. I learned about all this from the article " 'Time traveller' snapped" published on page A3 of newspaper [The New Zealand Herald](#), issue dated on Thursday, October 28, 2010. The next day I viewed also this scene from the original film available in YouTube at the address www.goo.gl/DLV3.

The reaction to this objective evidence of the existence of Time Travellers on the Earth, is typical for arrogant people of 21 century. The majority of viewers unable to think, hides their embarrassment with own ignorance in matters of the work of time, in typical manner - i.e. scoffing sarcastically at the objective proof. In turn these sparse viewers, who still try to think, decrease the evidential value of the film by claiming that supposedly this filmed woman could NOT talk by a hand-phone, as in 1928 still there was no infrastructure on the Earth which would allow to connect her with the person receiving her call. Unfortunately, in their negation of the authenticity of that film, they overlook several obvious possibilities. For example, that if someone arrives to the past in a time vehicle, then this vehicle is going to be parked somewhere nearby, and thus it is that vehicle that can provide the infrastructure needed for connecting the caller to the receiving person. Or that time vehicles will NOT be build in the Earth for some time, thus until the time they are completed the hand-phones may get so much improved, that they may NOT need any present infrastructure and hardware that links them to the receivers of their calls.

Of course, enemies of my research will keep silencing or scoffing the truth presented on this web page, that if at a required time I was offered a right conditions for scientific inquiries and a requires financing for my research, then until today our civilisation would already have working time vehicles. But whatever would be the arguments of such enemies of my research, the fact remains that the filmed proof for the existence of time travellers, adds itself to a whole array of other evidence which confirms my rational and well documented explanation, that the building of time vehicles is possible, while "time travellers" are already an objective phenomenon on our planet.

Independently from the above description, the information about the existence of that film of 1928, that captured a woman talking through a hand-phone, is also described in subsection M1.7 from volume 11 of my newest [monograph \[1/5\]](#). That subsection is a part of the extensive chapter M from monograph [1/5], devoted to a comprehensive explanation of principles of operation, design, and major problems of "time vehicles" completion.

#D6.1. Photographs that document the existence of "time travellers":

Typically people are highly sceptical in the matter of authenticity of "old photographs". After all, with the present level of computer technology which allows to "fabricate" even most complex "photomontages", the preparation of hoaxes that pretend to be "old photographs" is technically possible and easily accomplishable. Therefore, I personally rather do NOT insist that photographs represent evidence for the existence of "time travel". However, in connection with other evidence presented on this web page, especially in items #D5, #D6 and #D7, the "fabrication" of which is impossible, such photographs of "time travellers" are additional evidence which at least suggest to consider the possibility of "travelling through time" and the feasibility of my "time vehicle". Thus, for the use of these most "open minded" readers, I am going to indicate here an example of just such a photograph.

Just such an old photograph of a "time traveller", which for me looks to be authentic (although I do NOT pretend to be an "expert" of photography, thus I can be wrong), was available in December 2010 at the web page of someone named [Jason Kottke - see the address http://kottke.org/10/04/time-traveler-spotted-in-old-photo](http://kottke.org/10/04/time-traveler-spotted-in-old-photo). The person who show this photograph reassured viewers that it has not been digitally tampered with. The photograph presents some old gathering of 1940s. In the crowd of old-fashion dressed people, there is one "tourist" in a today dress - which completely does NOT fit into the rest. As we can see from the photograph, he just watches what is happening. He is dressed in a "t-shirt" with a typical print on it (net-print, or heat-print) - such techniques of printing on shirts started to be used only around 40 years later. His glasses look like a model in sale after the world war two. His photo-camera is also modern and completely different than these used in 1940s (although it is difficult to determine what model it is - because the photograph is not very clear). Well, I leave the reader to decide whether this photo is another example of evidence that "time

travellers" do exist, or is just going to see it as someone's interesting "photomontage".

I would like to ask the reader to look at old photographs in his or her possession, that show groups of people, and to check whether these can represent any further evidence of capturing "time travellers". In case of suspecting that the reader has such an evidence, I would be grateful for letting me know via my email addresses indicated below in item #M4.

#D7. The formal scientific proof that the "counter-matter" of DNA is the carrier of software "programs of life and fate", based on the physical identity of DNA helixes in a given individual:

Motto: "If two physically identical computers work in a drastically different manner, then it means that (1) their work is controlled by software stored in their memories, and that (2) this software is composed of very different programs."

In item #A2 of this web page I explained the principle of operation of time vehicles. This principle reveals, that time travel, construction of "time vehicles", and the access to immortality through the repetitive shifting people back to years of their youth each time they accomplish their old age, are possible because double DNA helixes are most elementary forms of natural computers. These helixes run the software of so-called "programs of life and fate" stored in memory of the "counter-matter", which control the elapse of time in every living creature. Unfortunately, my discoveries of the work of time, manner of shifting back in time, and principles of operation of "time vehicles" - which open for the humanity the access to immortality through allowing people to repeatedly shift back in time to years of their youth each time they arrive to an old age, encountered reception which is rather detrimental for our civilisation. Not only that these discoveries are ignored by well-paid professional scientists, but in addition are also persecuted with rude and noisy criticism of internet mob, which is completely deprived of ability for rational thinking and for civilised debating. Clearly, the most hostile inclined persecutors of myself and my research are not discouraged even by these numerous examples of evidence discussed in previous items #D1 to #D6 of this web page, nor by my postulates based on facts and logic which are so easily verifiable by everyone. Therefore, in this item I decided to provide still another proof which is based on commonly known facts, and which also unambiguously confirms that "double helixes of DNA are actually miniature natural computers which run software 'programs of life and fate' contained in the memory of their 'counter-matter' ".

The proof described here, which confirms that "double helixes of DNA in

fact are simplest natural computers that run the software codes of 'programs of life and fate' stored in their memories", is based on a sequence of very elementary empirical findings. The first out of these findings is obvious for everyone. It states, that *"every cell of the body displays a different development, function, work, changes, fate, etc."* In other words, the "passage through time" for every single cell of living body of a given individual differs from passages through time of remaining cells from the body of the same individual. The second commonly known empirical finding about DNA, is that *"the double helixes of DNA can only be used by criminology for identifying an individual from which they originate, because independently from which cell of this individual they are retrieved, their hardware (atomic) structure is still exactly the same"*. For example, when soon after formulating the proof described here, on 23 November 2010 I checked what about the use of DNA in criminology is described in internet web pages devoted to this subject, then e.g. on then available web page with the address "<http://www.exploredna.co.uk/dna-and-criminology.html>" I found the following statements expressing the above (commonly known) empirical finding - quote from the abovementioned web page: *"a person's DNA is the same in all areas of their body, it can't be altered or modified in any way"*; and also *"DNA is found in blood, skin cells, hair and all around the human body"*.

Of course, my findings and knowledge on the topic of "counter-matter" - which I described and supported with wide evidence in volumes 1, 4, 5 and 11 of my newest [monograph \[1/5\]](#), provide an unambiguous explanation for the empirical findings described above - stating that "the passage through time and fate of completely different cells of body is controlled by DNA which has the same hardware (atomic) structures". This explanation states, *"DNA must contain software 'control programs' written into the intelligent memory of 'counter-matter' that forms the hardware (atomic) structure of these DNA"*. In other words, double helixes of DNA are actually equivalents of these computers described in the "motto" from this item (which "motto" reminds us the obvious truth that **"if exist two physically identical computers which carry out drastically different activities, then this is a proof that such computers (1) contains inside some software that controls their activities, and (2) this software is different in each one of these computers"**). After all, as we know it from the use of DNA in criminology, from the physical point of view DNA helixes in a given individual look identical, no matter from which cell they were taken. On the other hand, in each of these cells, the same looking DNA extends the control over a completely different course of the development, function, work, changes, fate, etc. - for a given cell. This in turn would be impossible if the "control program" which these DNA must contain inside, was written in a hardware manner by being "permanently hardwired" into the hardware (atomic) structure of these DNA. In other words, to be that way, DNA must store inside some "programs of live and fate" which have the purely software character.

The fact proven here, that DNA helixes are actually miniature computers with own memories in which they store their "control programs", is also confirmed by various other empirical evidence on which genetics continually is "stumbling". An excellent example of this evidence is the recent discovery regarding "trauma", reported, amongst others, in the article "Trauma research punches hole in Darwin's theory" from page B13 of New Zealand newspaper [Weekend Herald](#),

issue dated on Saturday, November 27, 2010. According to this discovery, in people who experiences some serious trauma, e.g. in returning from a war, their DNA is modified, so that consequences of this trauma are passed to next generations of their descendants. But if these next generations do not experience similar trauma, then the content of their DNA returns to previous norm after around 3 generations. Of course, if the information would be carried out by DNA in the manner "permanently hardwired", then such passing consequences of trauma to next generations would be impossible. Unfortunately, present genetics still believes unconditionally in the "permanent hardwiring of DNA information". Therefore, these intermediate modifications of DNA information, genetics still tries to explain as consequences of modifying influences of chemical "epigenetic regulators". But this explanation can be related only to a single individual and it cannot be spread over several generations. Therefore, if we wait another several years, then probably genetics finally has no option but to admit, that DNA helixes are small computers which carry in memories their software "control programs".

I am always fascinated by the close-mindedness with which some present scientists twist their interpretations of the surrounding reality. In the result, **scientific errors, twisting, and deviations of the interpretation of reality are already as numerous and omnipresent as if the life-goal of the present generation of scientists was to impregnate people with all possible kinds of untruth before they mature to learn the truth.** An example of just such close-minded interpretation of reality, which however, empirically supports the truth of the formal scientific proof from this item, is the "[NASA's alien DNA with arsenic](#)" - the descriptions of which was rumbled in all television news of New Zealand on Friday, 3rd December 2010. (On the subject of these "alien DNA with arsenic" appeared also press releases - for example see the article " 'Aliens' amongst us on Earth" from page A3 of newspaper named "[The New Zealand Herald](#)" (issue dated on Friday, December 3, 2010), or the article "Arsenic-eating germ boosts chance of finding extra-terrestrial life" from page A23 of the New Zealand newspaper named "[The Dominion Post Weekend](#)" (issue dated on Saturday, December 4, 2010), or see articles on the same subject published in the same time e.g. at addresses

<http://news.nationalgeographic.com/news/2010/12/101202-nasa-announcement-arsenic-life-mono-lake-science-space/>

or

[http://science.nasa.gov/science-news/science-at-nasa/2010/02dec_monolake/.](http://science.nasa.gov/science-news/science-at-nasa/2010/02dec_monolake/))

According to these descriptions, scientists from NASA discovered "alien bacteria" in the Californian lake named the "Mono Lake". In this volcanic lake water is so saturated with arsenic, that supposedly Earthly bacteria have no right to life in there. However, scientists from NASA detected bacteria in that lake which not only that live in the arsenic waters, but in addition these bacteria adopted arsenic to their cellular structures, while in their DNA they replaced atoms of phosphorus with atoms of arsenic. But in present official understanding of DNA as "hardwired permanently" carriers of life information, such replacement of atoms of phosphorus from DNA with atoms of arsenic, should completely destroy the ability of these DNA to control the life of cells. So the conclusion to which jumped quickly scientists from NASA, is that these bacteria from the "Mono Lake" must be "alien" - i.e. must arrive to the Earth from distant cosmos. Of course, scientists from NASA, who interpreted in that way the

replacement of atoms in DNA, probably feel too busy to read about my humble discoveries. These discoveries for a long time try direct the notice of other researchers to the fact, that DNA really are miniature natural computers, the hardware of which does NOT carry any information, but just runs the implementation of the information that is stored in a software manner in the "programs of life and fate" that are inside of computer-like memories of these DNA. After all, if these scientists knew my publications, then would also knew, that kinds of atoms from which DNA hardware is composed, have no significance to the life and fate of given cells. What only matters are just these software "programs of life and fate" which are stored in memories of hardware from these DNA. Even a more illustrative explanation for the small significance of that replacement of atoms of phosphorus with atoms of arsenic, has the "computer analogy" from the "motto" to this item. This is because the motto realises that **"if two computers constructed on opposite ends of the world from completely different electronic components, perform exactly the same functions and run exactly the same algorithms, then this only means that (1) their work is executed by software 'control programs' stored in their memories, and that (2) this 'control software', which each of these computers stores in own memory and then executes, is composed of very similar or even identical programs"**. In other words, if the NASA interpretation for swapping of elements in DNA is compared to the situation of present computers, then what NASA claims is an equivalent of the claim that e.g. Korean computers must have "alien" origin as they have different atoms and different electronic components than e.g. American computers. Thus, the message which I would like to realise through this example of the "bacteria from Californian Mono Lake with arsenic DNA", states that these bacteria are NOT "aliens" of cosmic origin (as erroneously rushed to announce scientists from NASA), but are still another highly evidential example, which additionally conforms my formal scientific proof from this item, that "DNA are miniature natural computers, the hardware of which only executes the software 'programs of life and fate' that are stored in a software form in memories of these DNA".

The formal scientific proof described here is immensely important. After all, in addition to the evidence provided before on this web page, it also confirms the correctness of the principle of operation of "time vehicles" described on this web page, which is to provide people with access to immortality. Furthermore, it also confirms that the "counter-matter" displays attributes of a liquid computer hardware, in memory of which are stored software control programs. In this way it confirms the truth and correctness of everything that about the "counter-matter" (and thus also about e.g. the self-evolution of God from chaotically behaving counter-matter) was explained, e.g. in item #E1 of a separate web page named ["will.htm"](#) and in item A1.1 from volume 1 of my newest [monograph \[1/5\]](#), and it also confirms the truth of whatever about the creation of the physical world and man by God was explained and supported with evidence in items #C3 and #C4 of the separate web page named ["god proof.htm"](#). In addition, the proof discussed here is also helpful in illustrating how thoughtless and how deprived of inquisitiveness are present users of empirical findings about DNA. After all, these users know jolly well, that in every cell from the body of a given individual, DNA controls over a different development, function, work, changes, fate, etc., for this

cell. Simultaneously they also know that in a given individual the hardware (atomic) structure of this DNA is sufficiently identical for all cells of the body, that on the basis of the DNA taken from any cell, it is possible to identify the entire given individual. In spite of this, none amongst users of DNA to-date come to a conclusion, that such facts confirm that DNA helixes in fact must be kinds of miniature control computers which run software programs stored in their memories. None of them was also noticing, that in order codes contained in DNA could control the development, function, work, changes, fate, etc., of individual cells, there must exist some mechanism of carrying the control commands into cells - while our science to-date has NOT identified such a mechanism yet. In face of such a lack of thinking and inquisitiveness on part of other scientists, is it really in interest of the humanity to still officially ignore my discoveries and outcomes of my research? Is it really worth to take seriously these noisy attacks of internet mob which not only is similarly mindless, but which in addition is also deprived of the specialised knowledge that is required to understand ideas described here?

In order to emphasize the immense significance of the proof described here, and also to formally introduce this proof into a permanent accomplishment of human knowledge, below I am going to repeat this proof in the form that is customary for formal scientific proving according to principles of mathematical logic. So here is the formal scientific proof, stating that **"the hardware entities known as DNA double helixes are the most simple forms of natural computers that control the passage of their cells through the time by using software 'programs of life and fate' stored in the memory of 'counter-matter' that constitutes the physical structure of these DNA"**, completed with the use of methods of mathematical logic:

Theorem:

"The hardware entities known as DNA double helixes are the most simple forms of natural computers that control the passage of their cells through the time with the use of software 'programs of life and fate' stored in the memory of 'counter-matter' that constitutes the physical structure of these DNA".

Basis proposition:

(') The control of development, function, work, changes, fate, etc., of subsequent cells in a living organism, which represents the passage of these cells through time, can occur only if (1) DNA from these cells contain either appropriate programs stored in a software manner (i.e. DNA contain some forms of natural "programs of life and fate" stored in the memory of the "counter-matter" that constitutes these DNA), or if (2) these DNA contain programs stored in a hardware manner (i.e. programs which are "permanently hardwired" into the hardware (atomic) structure of these DNA). The fact that present criminology is able to identify given individuals on the basis of the hardware (atomic) structure of DNA of these individuals taken from any cells of their bodies, proves that the hardware (atomic) structure of these DNA cannot be a carrier of the hardwired code of such a program, because (a) this hardware (atomic) structure is identical in all cells of a given individual - and thus it CANNOT reflect the diversities of development, function, work, changes, fate, etc., of subsequent cells in a given organism, and also because (b) there is no outside mechanism which would read

and implement such a hardwired program. This way the above facts completely exclude the possibility that such controlling programs are "hardwired permanently" into the hardware (atomic) structure of DNA.

(") The above basis proposition can also be expressed in a slightly different manner, for example with words: Control over the development, function, work, changes, fate, etc., of a given cell, which must have a different course for every cell of a given individual, and thus which represents the passage of a given cell through time, may be accomplished either (1) by DNA helixes which are kinds of most elementary natural computers that run appropriate "programs of life and fate" written in a software manner into the memory of "counter-matter" that constitutes these DNA, or can be accomplished (2) by the DNA which are kinds of "permanently hardwired" programs written into the hardware (atomic) structure of these DNA in a hardware manner, and which are later read and implemented by a different mechanism located outside of these DNA. The fact that present criminology is able to identify every individual on the basis of hardware (atomic) structure of the DNA of that individual taken from any cells of his or her body - no matter what is the development, function, work changes, fate, etc., of this cell, proves that the hardware (atomic) structure of these DNA cannot be a carrier of such a "hardware coded program", because (a) this hardware (atomic) structure is identical in all cells of a given individual - and thus it does NOT reflect the diversity that is required for expressing the differences in development, function, work, changes, fate, etc., of every single cell from a body, and also because (b) for such a "permanently hardwired program" would need to exist a mechanism outside of the DNA which would implement this program - but the science has NOT encountered to-date any trace of it. Thus, the above facts completely eliminate the possibility that such a control program is "hardwired in a hardware manner" into the hardware (atomic) structure of DNA.

Proof:

The above basis proposition is to be transformed with the use of tautological form of the method known under the name of "disjunctive syllogism". This form can be written as $[(p \vee q) \wedge \neg p] \Rightarrow q$, in which the assertion "p" says "the control of development, function, work, changes, fate, etc., of subsequent cells in a living organism, can be so diversified only if the DNA of these cells contain appropriate programs stored in a hardware manner (i.e. the atomic structure of these DNA contains 'permanently hardwired programs of life and fate')", while the assertion "q" says "the control of development, function, changes, and fate of subsequent cells in a living organism, can be so diversified only if the DNA of these cells contain appropriate programs stored in a software manner (i.e. contain in memories some forms of natural 'programs of life and fate' stored in memory of the 'counter-matter' that constitutes these DNA), while the atomic structure of these DNA is just a simplest form of computer hardware that executes the run of these program". In turn the assertion " $\neg p$ " states "the fact that present criminology is able to base the identification of individuals on DNA taken from any cells of their bodies, which proves the identical hardware structure of DNA in cells with drastically different development, functions, work, changes, fates, etc., completely eliminates the possibility that programs contained in these DNA are written in a hardware manner by being 'permanently hardwired' into the hardware (atomic) structure of these DNA". The transformation of these

propositions implies the conclusion that "the development, functions, changes, and fates of individual cells of a body are so diversified because their DNA contain software programs that describe the passage of a given cell through the time (i.e. DNA helixes contain natural programs stored in memories of the 'counter-matter' that form their atomic structure)".

Conclusion:

The above inference chain unambiguously and conclusively proves the truth of the theorem that "the hardware entities known as DNA helixes are the most simple forms of natural computers that control the passage of their cells through the time with the use of software 'programs of life and fate' stored in the memory of 'counter-matter' that constitutes the physical structure of these DNA".

* * *

For the use of these readers who are NOT familiar with the notation that is applied in the above proof, I would like to explain that symbols "p", "q", and "r" mark subsequent "assertions" utilized in this proof as logical variables. In turn symbols "!", "&&", "||", and "=>" mark logical operators "not", "and", "inclusive or", and "implies" (if ... => then ...).

#D8. The above proof for the role of DNA software in controlling the elapse of time, is just one amongst a whole series of mutually related formal scientific proofs developed for the first time by the author of this web page due to the use of tools of the new so-called "totaliztic science":

The above proof is just one amongst an entire series of mutually related formal scientific proofs, the honour of developing of which for the first time in the world was granted by God to the author of this web page. All these related formal proofs are briefly summarised and mutually linked in item #G3 from the totaliztic web page named [god_proof.htm](#). Also all of them introduce immensely vital consequences both individually for each one of us, as well as for the entire our civilisation. After all, these formal proofs repair deficiency of our knowledge which result from intentional ignoring by the old official so-called "**atheistic orthodox science**" of practically every area involved in these proofs - for examples of such ignoring see item #A2 from the web page named [petone.htm](#). (The name "atheistic orthodox science" is increasingly frequent used for describing this old monopolistic science, the erroneous claims of which we still are forced to learn in schools and at universities, while which immoral practices are disclosed more exactly in items #C1 to #C6 from the web page named [telekinetics.htm](#).) Moreover, all formal scientific proofs from this series were formulated with the

use of modern methods of scientific proving (e.g. methods of mathematical logic, or the method of matching attributes). These proofs include, amongst others:

(1) **The formal scientific proof that "the counter-world does exist"** (this "counter-world" is actually another world existing parallel to our "physical world" and it is filled with the continually moving substance called "counter-matter" which displays attributes of liquid computer hardware) - see item #D3 of the web page named [dipolar gravity.htm](#), or see subsection H1.1.4 from volume 4 of my newest [monograph \[1/5\]](#).

(2) **The formal scientific proof that "God does exist"** - see item #G2 from the web page [god proof.htm](#), item #B3 from the web page [god.htm](#), or see subsection I3.3.4 from volume 5 of my newest [monograph \[1/5\]](#).

(3) **The formal scientific proof that "God created the first pair of people"** - see item #B8 of the web page [evolution.htm](#), or see subsection I1.4.2 from volume 5 of the monograph marked [\[8/2\]](#).

(4) **The formal scientific proof that "the humanity lives in the world created and wisely ruled by omnipotent God"** - see item #B3 from the web page named [changelings.htm](#).

(5) **The formal scientific proof that "people have immortal souls"** - see item #G2 from the web page named [soul proof.htm](#), item #C1.1 of the web page named [nirvana.htm](#), or see subsection I5.2.1 from volume 5 of my newest [monograph \[1/5\]](#).

(6) **The formal scientific proof that "God authorised the Bible"** - see item #B1 of the web page named [bible.htm](#), or see subsection M7.1 from volume 11 of my newest [monograph \[1/5\]](#).

(7) **The formal scientific proof that "DNA are most simple forms of natural computers which control the passage through time of cells in which these DNA reside, while this control of the passage of cells through time they accomplish by a sequential running of software 'programs of life and fate' contained in memories of these DNA"** - see item #D7 of this web page (named [immortality.htm](#)), or see subsection M1.6 from volume 11 of my newest [monograph \[1/5\]](#).

(8) **The formal scientific proof that "UFO vehicles do exist objectively and they are already operational [Magnocrafts](#)"** - which the formal proof is historically the first proof that I developed and published for the area of knowledge intentionally ignored by the old official "atheistic orthodox science" - for details see item #G3 from the web page named [god proof.htm](#). This proof for the objective existence of UFOs is presented on the web page named [ufo proof.htm](#) and also in subsections P2 to P2.17 from volume 14 of my newest [monograph \[1/5\]](#).

* * *

I really encourage readers that for their own good they consider the existence and validity of these proofs in everything that they do in their lives. As I explain this e.g. in item #G1 of the web page named [will.htm](#), or in item #I3 of the web page named [day26.htm](#), such consideration can turn out decisive in many life situations and sometimes may even translate into life (instead of death).

The development of all these formal scientific proofs became possible only due to establishment of a new so-called "**totaliztic science**" broadly described, amongst others, in items #C1 to #C6 from the web page named

[telekinetics.htm](#), or in items #F1 to #F3 from the web page named [god exists.htm](#). The reason is that the old so-called "atheistic orthodox science" (i.e. this official science paid from our taxes, which erroneous statements people continue to learn in schools and universities) abuses its absolute "monopoly for knowledge" to refuse carrying research on these topics, which are in any way contrary to the officially adopted by it philosophical foundations of the kind of the "Occam's Razor", atheism, "a posteriori" approach to research - i.e. the approach "from effects to causes", etc. (Notice that this old "atheistic orthodox science" completely ignores "a priori" approach to research - i.e. ignores the approach "from cause to effect" means "from God understood as a superior cause of everything, to the world around us as the effect of actions of that God". This approach "a priori" was implemented with the modern scientific methods only by the new "totaliztic science", while the above formal scientific proofs represent only a single one amongst numerous kinds of the results that it already yield. Various other results of the same "a priori" approach to research are summarized in item #B1 from the separate web page named [changelings.htm](#).)

The proof presented above was subjected to the public discussion on internet discussion forums of the "Google" search engine at addresses indicated in item #E2 of the web page named [faq.htm](#). Furthermore, this proof is also included into subsection M1.6 from my newest [monograph \[1/5\]](#).

Part #E: Oscillatory Chambers of the third generation, means devices which will implement practically the shifting us back in time:

#E1. Oscillatory Chambers of the third generation:

On 3rd January 1984 I invented an accumulator and converter of magnetic energy that is immensely vital for the entire humanity. I called it the "Oscillatory Chamber".

The Oscillatory Chamber could be described as kind of an electromagnet in the shape of a transparent chamber that is empty inside, in which electrical charges rotate around the main magnetic axis, taking the form of strands of parallel electric sparks - instead (like in electromagnets) electrical current that flows in wires of a conductor. Every Oscillatory Chamber is a source of a powerful magnetic field which is simultaneously a precisely controlled field. Columns of this magnetic field gush outside of every Oscillatory Chamber through two walls of it, namely through the floor and the ceiling - as illustrated in

"Fig. #E1" below.

In spite that I constantly make such efforts, at NO university in which I worked so-far I was allowed to undertake the completion of this chamber. It is pity, as the history of inventions to-date indicates, that NO-ONE can replace the creative mind of the original inventor in the completion of his invention. Therefore, whatever the original inventor builds in just a few years, other people may need tens or even hundreds of years of intense efforts to complete it.

The Oscillatory Chamber is going to be build in three different generations - see "Fig. #E1". Each one amongst these generations of the Oscillatory Chamber will have a different shape. For example, the Oscillatory Chamber of the first generation is going to have the shape of a transparent cube. The name Oscillatory Chamber of the third generation is assigned to the most advanced generation of this device - which will be able to shift time back. Thus, the Oscillatory Chamber of the third generation is going to be the "heart" and the most important component of every time vehicle.

The design and principles of operation of the Oscillatory Chamber are described in details in volumes 2 of two my scientific monographs, namely my newest monograph [1/5], and my slightly older monograph [1/4]. Briefly this chamber is also summarised on several web pages of totalizm, for example on the web page devoted entirely to it and named oscillatory chamber.htm - about the Oscillatory Chamber, as well as in part #D of the web page eco cars.htm - about pollution free eco-cars of our future. Therefore, on this web page I am NOT going to repeat these descriptions.

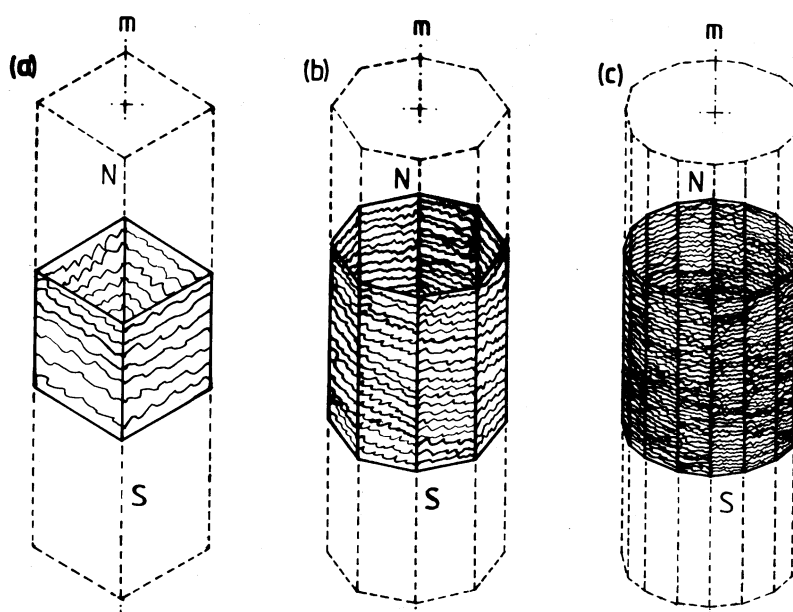


Fig. #E1 (F3 in [1/5]): The external appearance of Oscillatory Chambers of the (a) first, (b) second, and (c) third generation. The continuous lines mark the appearance of the Oscillatory Chambers themselves. These chambers are transparent and empty inside. Thus they show the rotation of strands of electric sparks, which spin along inner peripherals of side walls of these devices. In turn the broken lines mark on this figure small sections of columns of precisely controlled magnetic field (N, S) gushing to the environment from the floors and ceilings along magnetic axes "m" of these chambers. Notice that for practical

reasons, on the above drawing these columns of field must be cut off at some distance from outlets of the Oscillatory Chambers. But in a real life these columns are forming closed circuits of force lines of magnetic field - only that these circuits are too huge to be fully shown on the above drawing. (Click on this drawing to see it enlarged.)

(a) The Oscillatory Chamber of the first generation which has the shape of a transparent cube that is empty inside. Around side walls of this cube thick strands of bright electric sparks are visible in rotation.

(b) The Oscillatory Chamber of the second generation which has the shape of an octagonal, transparent box (i.e. a section of an octagonal rod). Also in this chamber strands of bright shimmering sparks are to be visible are they rotate around the side peripherals of it.

(c) The Oscillatory Chamber of the third generation which has the shape of a transparent box with 16 side walls. Because such a box looks almost like a round one, this most advanced generation of Oscillatory Chambers will look like a section of a transparent pipe, around the peripherals of which spin strands of bright, regular, and evenly thick sparks. The columns of precisely controlled magnetic field generated by this Oscillatory Chamber will gush to the environment from both ends of it, i.e. from the floor and from the ceiling.

#E2. What are differences between subsequent generations of the Oscillatory Chambers:

The Oscillatory Chamber of the first generation is going to take a cubical shape - as this is shown in "Fig. #E1" above. Its construction will allow people to learn phenomena and principles which are vital for the implementation of its principles of operation. After being constructed the Oscillatory Chamber will find countless applications. For example it is going to be used as the propelling device for building magnetic starship of my invention, called Magnocrafts. It is also to be used as a perfect battery for accumulating energy in so-called zero pollution ecological cars.

Empirical experience gathered during the building and use of cubical Oscillatory Chambers of the first generation will allow humanity to build also octagonal Oscillatory Chambers of the second generation. Oscillatory Chambers of the second generation will be utilising a different control over the rotation of electric sparks than the one used in the first generation. This in turn will allow to use it for the generation of more precisely controlled magnetic field which will be capable of generation of so-called "Telekinetic Effect". Therefore such Oscillatory Chambers are to find use in so-called "telekinetic vehicles" described in chapter M from volume 11 of monograph [1/5].

In turn experiences gathered during the building and use of the octagonal Oscillatory Chamber of the second generation will allow the humanity to build also the sixteen-sided Oscillatory Chamber of the third generation. The

Oscillatory Chamber of the third generation will use still another principle of control over the rotation of electric sparks than the Oscillatory Chamber of the second generation. This in turn will allow it to generate magnetic field which will be controlled even more precisely than the magnetic field from chambers of the second generation. In the result, Oscillatory Chambers of the third generation will be able to cause changes in the elapse of time - e.g. shift time back. This is why such Oscillatory Chambers will find application in "time vehicles" described more comprehensively in chapter N from volume 11 of [monograph \[1/5\]](#).

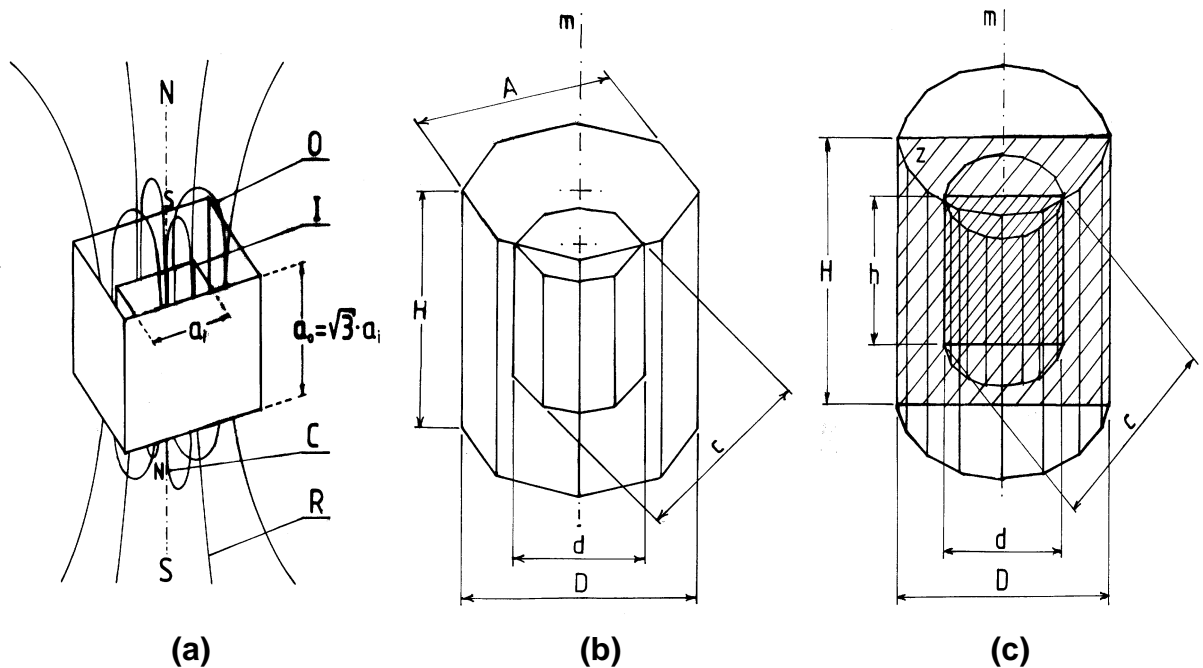


Fig. #E2a-c (F5, F8(2s), F8(3s) in [1/5]): The side appearance of so-called "twin-chamber capsules" composed from two Oscillatory Chambers of (a) first, (b) second, and (c) third generation. These capsules are formed through placing a smaller "inner" Oscillatory Chamber "I" to the empty interior of a much larger "outer" Oscillatory Chamber "O". Both chambers, i.e. inner "I" and outer "O" have opposite orientation of their magnetic poles (N, S). In the result, their magnetic outputs subtract from each other splitting themselves into two magnetic streams. The first "C" amongst these two streams circulates just between both chambers, while the second resultant "R" amongst these two streams is yield to the environment by such a twin-chamber capsule. Thus these capsules allow very precise control over all parameters of the generated magnetic field. This is why they are going to be used in propulsors of the future [Magnocrafts](#) of all three generations - in this number also "time vehicles". (Click on this drawing to see it enlarged.)

Fig. #E2a (left): The cubical "twin-chamber capsule" of the first generation. It represents the basic arrangement of two Oscillatory Chambers of the first generation combined together in order to increase their controllability. This capsule illustrates the general principle of formation of such arrangements from Oscillatory Chambers of all three generations. Namely, all the twin-chamber capsules are formed from two oppositely oriented chambers placed one inside the other. Because of the need for free floating of the inner (I) chamber suspended inside of the empty outer (O) chamber, the side edges "a" of both

Oscillatory Chambers must meet strict mathematical relationships - e.g. for the Oscillatory Chambers of the first generation must meet the equation (F9) from volume 2 of [1/5]: $a_o = a_i(\sqrt{3})$. (These relationships can later be verified and confirmed on authentic photographs of UFOs - e.g. see "Fig. #C9" on the web page [explain.htm](#), or on marks left on the ground during landings of UFO vehicles - see "Fig. #G2" below on this web page.) The resultant magnetic field (R) yield to the environment from these capsules is obtained as a difference between outputs from two chambers having opposite orientation of their magnetic poles. The principles of formation of this resultant field (R) are illustrated in "Fig. #E3". The twin-chamber capsule allows full control over all the attributes of the produced magnetic field. In the twin-chamber capsules of the first generation subjected to such a control are the following properties of the resultant magnetic field (R): (1) strength of the field (fluently controlled from zero to maximum), (2) Period (T) or frequency (f) of pulsations, (3) ratio of the amplitude of the field's pulsations to its constant component ($\Delta F/F_o$ - see also "Figure #C5" on the web page [ufo_proof.htm](#)), (4) character of the field (i.e. constant, pulsating, alternating), (5) field's variation in time (i.e. linear, sinusoidal, beat type curves), (6) polarity (i.e. from whichever side of the capsule the N and S poles of the resultant field (R) prevail). In turn in capsules of the second and third generations controlled are also parameters of the magnetic field that are to decide about the ability to form telekinetic effect and changes in the elapse of time (these parameters still remain unnamed by present human science).

Symbols: O - outer chamber, I - inner chamber, C - circulating flux trapped inside the capsule, R - resultant flux yield from the capsule to the environment.

Fig. #E2b (middle): An octagonal twin-chamber capsule of the second generation, shown in a side view. It is composed of two Oscillatory Chambers having octagonal cross-section, i.e. a smaller inner chamber (I) and a larger outer chamber (O).

Fig. #E2c (right): A 16-sided twin-chamber capsule of the third generation, also shown in a side view. It is composed of two Oscillatory Chambers with 16-sided cross section, i.e. inner (I) and outer (O). It is this capsule that will be used in time vehicles to shift time back.

#E3. Control over parameters of the magnetic field which is generated by the Oscillatory Chambers of the third generation:

In order to enable a precise control over the magnetic output generated by the Oscillatory Chambers, in their practical application always two such chambers are going to be combined together into configurations called "twin-chamber capsules". Such configurations are shown and explained in "Fig. #E2" above.

The most vital advantage of such "twin-chamber capsules" will be their ability

to strictly control of all parameters of magnetic field yield to the environment from such capsules (including the ability to control over the changes in time, means over the curve, of the resultant magnetic field "R"). The principle of this control is explained in "Fig. #E3" below. On this Figure is shown an example of principle used for controlling the resultant magnetic field "R" so that the curve of changes in time $FR=f(t)$ of the resultant magnetic flux "FR" takes the course that is a difference between courses of the fields generated by inner "I" and outer "O" chambers. (In the case shown in the discussed Figure generated is the so-called "beat-type curve".) If frequencies of pulsations of the field in both chambers of the capsule differ from each other (e.g. when the inner chamber "I" generates the flux "FI", the frequency of pulsations of which is e.g. twice as high as the frequency of pulsations of the flux "FO" generated by the outer chamber "O"), then the algebraic subtraction of both these fluxes generates the resultant flux "FR" (shown by curve "FR" on "Fig. #E3") the fluctuations in time $FR=f(t)$ of which occur according to a "beat-type curve". In this manner can be obtained a wide range of changes in the resultant flux "FR" through just ordinary control over frequencies of pulsations in the inner "I" and outer "O" chamber (or more strictly through controlling over their period of pulsations "T" which is linked to the frequencies "f" through the equation (F8) from [1/5]: $f=1/T$). Equally simple becomes the generation of the pulsating resultant flux "FR" which takes the shape of any pulsating curve, as well as the alternating flux of any shape. In each of such case the period of pulsations of the resultant field can be controlled with the required accuracy.

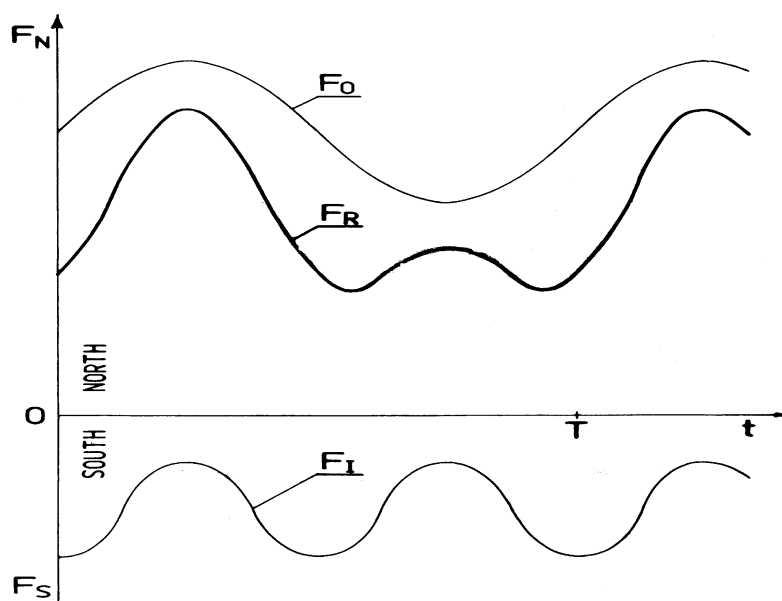


Fig. #E3 (i.e. F7 in [1/5]): Curves which illustrate a principle of control over all parameters of magnetic field generated by the configuration of the "twin-chamber capsule" composed from two Oscillatory Chambers of the same generation. (Click on this drawing in order to see it enlarged.)

Curves which illustrate the principle of combining together the outputs from both chambers of the twin-chamber capsule from "Fig. #E2a" into the resultant flux "FR". The case of producing the resultant flux whose variation in time reflects a beat type curve is considered. The outer chamber "O" produces the greater

magnetic flux "FN" whose variation in time (determined at its north, "N" pole) is represented by the curve "FO". The inner chamber "I" has the opposite polar orientation - see "Fig. #E2". Therefore in the direction NORTH where the north, "N" pole of the outer chamber "O" prevails, the inner one "I" extends its south, "S" pole. The variation in time of the output "FS" from this inner chamber "I" is represented by the curve "FI". If two fluxes "FO" and "FI" of the opposite polarity are combined together, the resultant flux "FR" represents the difference in their values: $FR = FO - FI$. This difference of fluxes FR is yield outside the twin chamber capsule forming resultant flux "FR". The entire output "FI" of the inner chamber remains trapped inside of the capsule as the circulating flux "C" that circulates internally between the inner "I" and outer "O" chambers. (Note that in further deductions the shape of the resultant beat type curve "FR" is roughly represented by pulsing curves containing the constant component "FO" and the pulsating component " ΔF " - see also "Fig. #E2a".)

Part #F: Magnocrafts of the third generation, means true "time vehicles":

#F1. How the technically advanced "time vehicles" are going to look like:

Oscillatory Chambers of the third generation, which are absolutely necessary for constructing the time vehicles, are also a basic propelling devices for interstellar spaceships of my own invention, called the **Magnocrafts**. Therefore, the logic indicates that in the future both these kinds of vehicles will be merged together, forming a kind of **Magnocrafts of the third generation** which will be capable of flying NOT only in the space, but also in time - means capable of flying in the so-called "convention of time vehicles". The appearance of these extraordinary time vehicles is shown in "Fig. #F1" below.

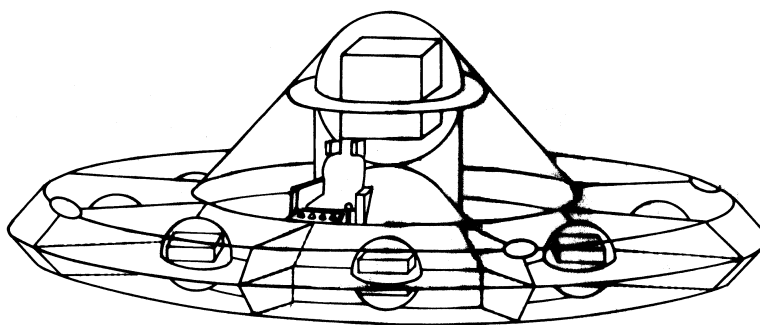


Fig. #F1 (G1(a) in [1/5]): The side appearance of the interstellar spaceship called

the Magnocraft - means also the side appearance of a time vehicle. In order the above Magnocraft of the first generation is transformed into the Magnocraft of the third generation capable of flights in the "convention of time vehicles", it suffices that its cubical Oscillatory Chambers of the first generation (visible above inside of transparent spherical casings) are exchanged into sixteen-sided Oscillatory Chambers of the third generation shown in "Fig. #E1c" and "Fig. #E2c". It is worth to notice, that at the moment when the above Magnocraft would begin to work like a time vehicle, its body would be surrounded with an ideally spherical ball of glowing space excited by the magnetic field generated in its sixteen-sided Oscillatory Chambers, which is capable to "deform time". Through the glowing volume of this ball still one could see the unfocused outlines of the above starship, especially bright-glowing outlets from its Oscillatory Chambers. The appearance of just such a glowing ball of space excited to glow is described below in item #F2 and shown on photographs from "Fig. #G1". (Click on this drawing to see it enlarged.)

#F2. The unique appearance of the characteristic ball of glowing space which was "deformed" with the magnetic field of time vehicles:

The principle of operation of time vehicles is such, that their magnetic field acts as if it "deforms" the space in which the shifting time back takes place. This "deformed" space assumes the appearance of a glowing sphere (ball). In turn in the centre of such a glowing ball are visible brightly lighted outlets from Oscillatory Chambers of this vehicle. To summarise, the work of time vehicles will form an unique picture which every person will be able to recognise easily. Examples of photographs of this unique picture of time vehicles captured in action are shown below in "Fig. #G1".

#F3. The appearance of "time vehicles" and phenomena they induce drastically differ from the appearance and phenomena formed by less advanced generations of UFOs and Magnocrafts:

Already on a number of totaliztic web pages was explained that flying vehicles with magnetic propulsion system, such as UFOs or Magnocrafts, can

fly on as many as three different principles. The first generation of these vehicles flies on principles of magnetic repulsion and attraction. (Principles of flights for this first generation of spaceship with magnetic propulsion system are described comprehensively in chapter G from volume 3 of my newest [monograph \[1/5\]](#) and in chapter F from volume 3 of my older [monograph \[1/4\]](#) and while briefly it is summarised on the totaliztic web page [magnocraft.htm](#).) The second generation of flying vehicles with magnetic propulsion system flies on principles of technically induced telekinesis. (Principles of flights for this second generation of spaceship with magnetic propulsion system are described comprehensively in chapter M from volume 11 of my newest [monograph \[1/5\]](#), while briefly it is summarised in item #F1.2 of the totaliztic web page [propulsion.htm](#).) Only the third generation of flying vehicles with magnetic propulsion system is flying on principles of time travel. (Principles of flights for this third generation of spaceship with magnetic propulsion system are described comprehensively in chapter N from volume 11 of [monograph \[1/5\]](#), while this web page is devoted, amongst others, to a brief summary of these principles.) In other words, "time vehicles" are only these starships which belong to the most advanced, third generation of magnetic space vehicles.

So, if someone has a sighting of such a magnetic vehicle in flight, e.g. sees a UFO vehicle, then from the point of view of probability it is possible that it is NOT a "time vehicle" at all, but rather any amongst these three generations of such spaceship. Thus, a witness must yet establish which generation is watching. This establishing is relatively easy, as such vehicles differ amongst themselves not only in several small technical details, but also in phenomena which their flight induces. For example, propulsors of "time vehicles" contain Oscillatory Chambers in the shape of sixteen-sided rods (see "Fig. #E2c" above) which clearly differ from cubes and octagons of Oscillatory Chambers of the first and second generations. In turn during flights "time vehicles" are surrounded with ideally round sphere of glowing space, which clearly differs from shaped like discs, glowing spaces formed by vehicles of the first and second generations. (How exactly look like shapes and outlines of the space induced to glow by UFOs of the first and second generations, is illustrated on photographs from the web page [explain.htm](#), and also from chapter P in volume 14 of [monograph \[1/5\]](#).) Of course, flights of "time vehicles", especially their taking off and landing, induce also various disturbances in the normal elapse of time - which an inquisitive eye witness usually also notices in his or her environment. Some amongst these disturbances of the normal elapse of time are described on the totaliztic web page [timevehicle.htm](#), and also in subsection N4.1 from volume 11 of [monograph \[1/5\]](#).

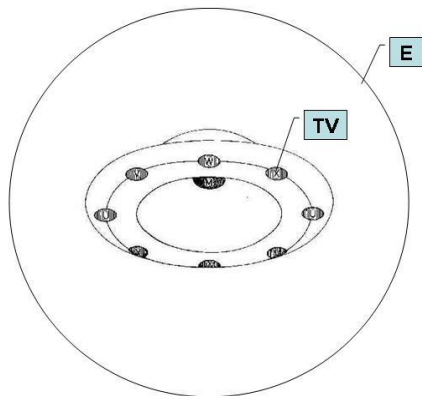
Part #G: Sightings of already operational Magnocraft of the third generation - means UFO vehicles that fly in the convention of

time travel:

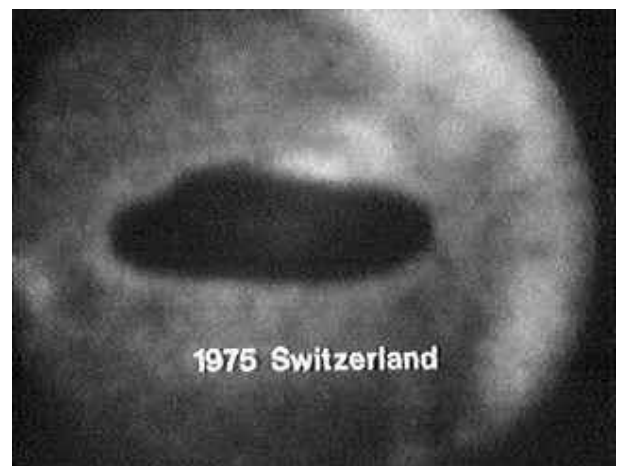
#G1. Time vehicles are already sighted and photographed in their flights above the Earth:

Time vehicles are already sighted on the Earth. Only that people call them "UFO vehicles". Examples of photographs of time vehicles are shown in "Fig. #G1" of this web page, as well as in "Fig. #F2a" from the totaliztic web page [explain.htm - about scientific interpretation of authentic photographs of UFOs](#). In turn descriptions of time vehicles, supplemented with their photographs, are presented in chapter N from volume 11 of my newest [monograph \[1/5\]](#) and in subsection C9 of the Polish [treatise \[4c\]](#).

More information about reasons for which time vehicles are sighted and even photographed on the Earth, is provided in item #F1 from the web page named [katrina.htm](#), in item #L2 from the web page named [magnocraft.htm](#), as well as in almost the entire separate web page named [evil.htm - about origins of evil on the Earth](#). In turn a formal scientific proof that these time vehicles are real and material technical devices, is presented on the web page [ufo_proof.htm - about formal scientific proofs for the existence of UFOs](#).



(a)



(b)

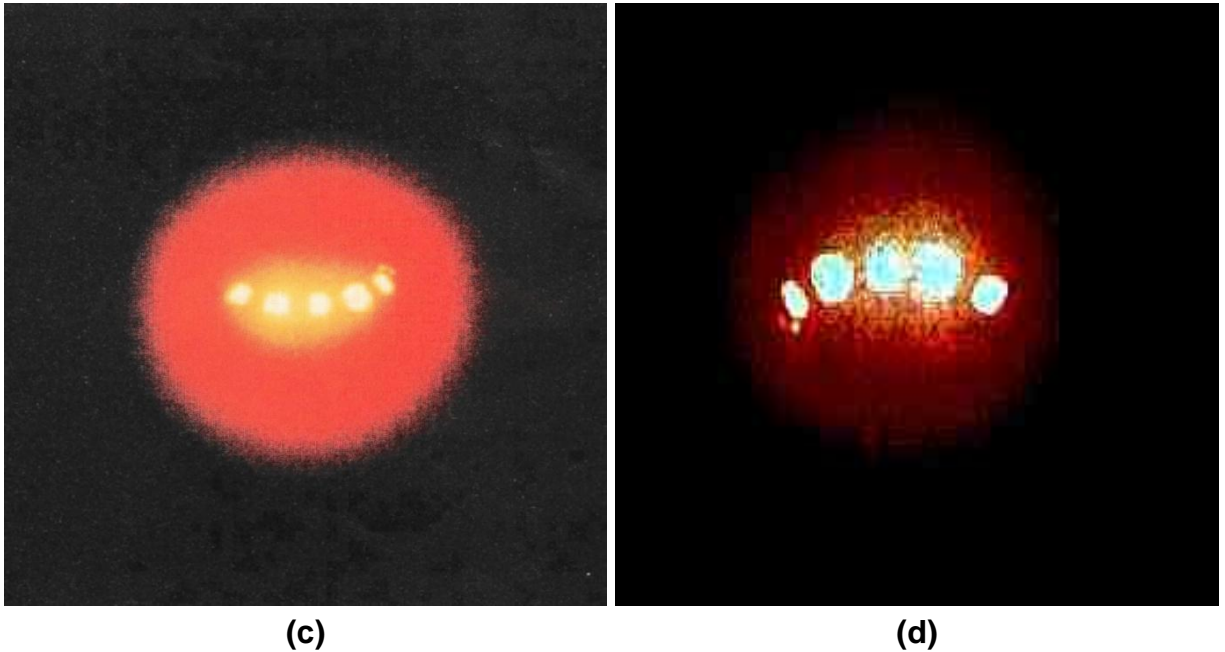


Fig. #G1a-d (M1(a) in [1/5]): Illustration of the appearance of time vehicles at the moment when they carry out a jump to another point in time. Such time vehicles operate already on the Earth for a long time, only that people call them UFOs. Photographs (b) to (d) show just such UFOs operating as time vehicles. On photographs of these vehicles clearly visible is a sphere of space excited to glow by energy of vibrations of magnetic field of these UFOs. In the centre of this sphere visible are outlines of discoidal UFOs with glowing outlets from Oscillatory Chambers assembled in propulsors of these vehicles. (Click on any of these photographs to see it enlarged or to shift it to another area of the screen.)

Fig. #G1a (top-left): A drawing which explains what actually becomes visible on photographs of time vehicles. As this drawing illustrates, photos of time vehicles typically capture round sphere of space excited to glow by the energy of vibrations of magnetic field of this vehicle. This sphere is marked with the symbol "E" (from English "Energy"). This energy spreads uniformly in all directions from the main propulsor of a given time vehicle, behaving similarly like thermal energy (after all, heat is also a kind of vibrations). The time vehicle itself marked with the symbol "TV" (from English "Time Vehicle") hovers as if hidden inside of this sphere of glowing space. The drawing shows it in the standing position. Because of the low transparency of the sphere, usually most clearly in this time vehicle are visible outlets from Oscillatory Chambers of its propulsors.

Fig. #G1b (top-right): Black-white photograph of time vehicle which flies in the standing position (i.e. with its floor directed down, while main propulsor – directed up). The unique for this photograph is, that apart from the sphere excited to glow by the energy of vibrations of magnetic field, the photograph captured also the relatively clear outlines of discoidal UFO hovering in the centre of this sphere.

Fig. #G1c (down-left): A photograph of a UFO of third generation which flies in a hanging position (i.e. when the main propulsor is pointed down, while floor is pointed up) and in so-called "convention of time travel". It clearly shows the sphere of space induced to glow by powerful vibrations of the magnetic field of this vehicle, with glowing white outlets of side propulsors of this vehicle. This

spherical excited ("deformed") space distinguishes the appearance of UFOs which fly as time vehicles, from telekinetic and purely magnetic UFOs. In order to learn and notice these differences in the appearance, it is worth to have also a look at web pages [explain.htm - about scientific interpretation of authentic photographs of UFOs](#) and [ufo_proof.htm - about formal scientific proofs for the existence of UFOs](#). These web pages show the appearance of UFOs flying in all three conventions, namely (1) magnetic, (2) telekinetic, and (3) time vehicles. Photographs of UFOs flying in all these conventions are also included to PDF versions of the Polish [treatise \[4c\]](#) (see subsection C9 in there), and [monograph \[1/5\]](#) (see subsections P2, T2, and N3.1).

[Fig. #G1d \(down-right\)](#): Still another photograph of a UFO that flies in the standing position and in the convention of time vehicle. Again is visible this unique sphere of glowing space excited by energy of vibrations of the magnetic field of this vehicle, together with white glows of outlets from side propulsors of this space vehicle.

#G2. Sightings of UFOs which operate in the "convention of time vehicles" are sources of precious data which allow us to build our time vehicles much faster:

On many totaliztic web pages, including into this such web pages as [ufo_proof.htm - about formal scientific proofs for the existence of UFOs](#), [explain.htm - about scientific interpretation of authentic photographs of UFOs](#), or [evidence.htm - about evidence of continuous activity of UFOonauts on the Earth](#), I explained to all interested, that scientific research on UFO sightings can be a source of many precious data. These data in turn allow us (people) to build faster our own interstellar spaceship - for an example see "Fig. #G2" below. As this is illustrated in photographs from "Fig. #G1" above, also UFOs working in the "convention of time vehicles" can be sources of similarly precious data that are able to assist us humans in much faster building of time vehicles - and thus in faster gaining an access to immortality.



Fig. #G2 (S3 in [1/5]): A reflection of the "Oscillatory Chamber" from UFOs left on the ground. The above example illustrates how scientific research on UFOs can help us in much faster completion of our own interstellar spaceship - in this case, in completion of **Magnocrafts of the first generation, type K5**. I have chosen this particular example, because it does NOT require much explanations to illustrate its high usefulness and to prove the direct link between UFOs and the subject of my research. However, photographs of UFOs working in the "convention of time vehicles" also hide numerous data and clues, only that explaining these here would require long descriptions and a lot of theory. (Click on the above photograph to see it enlarged.)

The above photograph shows magnetically scorched grass from a "landing site" of a UFO of the first generation, type K5, oriented in a "hanging position" (i.e. with its dome directed towards the ground). In the centre of this UFO landing site is visible a square mark which perfectly illustrates parameters of the outlet from the twin-chamber capsule of central propulsor in this UFO. This capsule has the design explained in "Fig. #E2a". In order to illustrate dimensions of this mark, near it is placed a white "reference ring" of an exactly one meter in diameter - the arrow of which points at the magnetic north. This square mark from the twin-chamber capsule of the first generation, scorched magnetically in the grass by the magnetic field bursting to the environment from outlets of this capsule, provides us with a whole range of quantitative data that allow us to verify the validity of my theories concerning the design and operation of the **Oscillatory Chamber**, as well as the design and operation of the interstellar spaceship called the **Magnocraft** - which utilises this Oscillatory Chamber for propelling purposes. For example, this mark allows to determine exact dimensions of the Oscillatory Chambers from the central capsule of this UFO type K5, it allows to determine that during the landing this capsule operated in so-called "mode of the outer chamber prevalence", and also allows to confirm that both Oscillatory Chambers from twin-chamber capsule used in this UFO fulfil the equation (F9) from [1/5] used in "Fig. #E2a" above - of the form: $a_o = a_i(\sqrt{3})$.

Please notice that the above photograph is also shown and explained on the web page [ufo.htm](#), in "Fig. #H1" from the web page [oscillatory_chamber.htm](#),

as well as in chapter S from volume 15 of monograph [1/5].

Part #H: The characteristics and limitations of the "imprisoned immortality" accomplished by the repetitive shifting back in time:

The reader will notice from descriptions in this part, that I use names and expressions which we know from religions and from the [Bible](#), so that I can vividly describe with their use various phenomena and capabilities which are to reveal themselves after people build my Time Vehicles. Examples of such names and expressions include: the "final judgement", the "everlasting life", the "everlasting happiness", the "everlasting hell", the "rising of people from graves", etc. Of course, **I could invent completely new names for phenomena and ideas that hide behind these names and phrases**. But then such completely new names would be rather difficult to remember and would require additional explanations. Furthermore, their use in relation to situations which people can also induce technically with the "Time Vehicles" that they are to build, illustrates excellently the thesis which is repeated on a number of my internet web pages, namely the thesis, that **"without the learning of construction and operation of Time Vehicles, people are NOT able to truly understand God nor the Bible"** - for example of this thesis see items #H1.1 and #C3 from the web page named [prophecies.htm](#). Therefore, for naming these phenomena and ideas, I use various religious and biblical terms which almost everyone already knows very well. But it is worth to notice that I do NOT do this reuse of names for religious reasons, but mainly for practicality, rationality, and appropriateness of the use of names which are already well known to everyone. Yet, I also recognise (and emphasize in item #H10 below) that it is highly meaningful that so many biblical names are turning out to be appropriate for describing futuristic situations of people who use time vehicles. I am also aware, that phenomena which I am describing below, reveal to us mechanisms and requirements that are also to appear when after the God's "final judgement" God opens for the imperfect people the access to immortality and to everlasting life. Thus, the descriptions below reply also many questions of the "why" type - which are very difficult to reply without the knowledge of phenomena that are described here. For example, they provide a reply to the question "why after the God's "final judgement", Jesus opens the access to the everlasting life in His flying city to only so small number of highly moral people, as this is estimated in item #C4 from this web page?" (e.g. only to a "hundred and forty-four thousand").

#H1. What is this "imprisoned

immortality":

Time vehicles described on this web page, which operate on principles of the deformation of magnetic fields, allow to come true the oldest dream of people. This dream is to accomplish infinitively long life. The principle of giving to the users of these time vehicles the infinitively long lives is relatively simple. It boils down to a repetitive shifting a given person back in time during the final part of his or her life. The person is shifted back in time to the period when this person was young. In turn **after this someone is shifted back in time, this person remembers his or her previous lives from previous passages of times, in exactly the same manner as if the living was continued through a normal elapse of time.** Therefore people shifted back in time with a time vehicle again to years of their youth, still remember their previous part of life that they led as older people. In this way they are able to relive through their life any number of times, remembering each passage through it. So actual building of time vehicles gives people who have these vehicles in their disposal, a taste of accomplishing the immortality.

This form of immortality, accomplished through such repetitive shifting back in time, has however a limitation, which makes "prisoners of their own times" all these ones who utilise it. Means, these people may live infinitively long in total. However, their lives always remain limited to the same period of time. For example, they can only return back in time to the date, which must be later than their date of birth. They can also move forward in time no more than to the date when they died naturally. Thus, the outcome of this repetitive shifting back in time is a kind of "**imprisoned immortality**". Furthermore, during every shifting back in time, these people can take with them mainly their memories. (They take also with them everything that is resulting from their memory, namely their knowledge, life experience, character, weaknesses, prejudices, etc. - see items #H2 and #H3 of this web page.) But they are unable to take with them anything else (material) - that they did not have already in times to which they just are returning. Thus, if e.g. in older age they meet some necessary technical device, which in times of their youth was not invented yet, or they had a favourite cat or beloved soul-mate which they got to know only in the final phase of their life, then after shifting back in time they lose all this and are forced to do without it until the time when they meet it again in the later phase of their life. (They can also not meet it at all - if in a new passage of time they choose a different path through the life than the path which they followed in the previous passage through time.) Such a limitation and consequences of this "imprisoned immortality" accomplished via time vehicles working on the principle of deformation of magnetic fields described here, impose a special kind of psychological strain onto people who utilise it. In the result of this strain, not for all people this "imprisoned immortality" turns out to be a blessing. Some people, especially those who practice in life the philosophy called **parasitism**, actually can perceive it as a kind of curse. Means, they will not be able to resist using repetitively this form of immortality - like it was an addiction, but it is going to make them increasingly more unhappy.

If a given consumer of the "imprisoned immortality" practices in his or her life the philosophy called **totalizm**, and has a good fortune to live in a totaliztic

civilisation, then this form of immortality becomes a true blessing for him or for her. After all, due to leading a pedantically moral life, such someone is going to maintain the state of [nirvana](#) the entire his or her life through. So he or she is continually happy, cheerful, and optimistic. Everything satisfies him or her, while his or her soul is not forcing him or her to seek anything better than whatever is already there. Furthermore, such someone continually tries to improve his or her morality, goodness, and the level of perfection. Thus, together with the accumulation of the knowledge and life experience, such someone becomes increasingly productive for his or her surroundings. All others appreciate him or her increasingly more and always want him or her to be with them forever. In the result, **for members of totaliztic civilisations the accomplishing of the "imprisoned immortality" described here is a blessing which allows them to lead infinitively long and indescribably happy lives.** Slightly more about the "everlasting happiness" that members of such civilisations then experience, is explained in item #H2 of this web page, as well as in item #H2 of a separate web page about [God](#). In fact, for these people such limited form of immortality in practice turns out to be equally perfect and effective as the true immortality described in item #J1 of this web page. However, the key for such an imprisoned immortality to become a blessing, is the ability of people to maintain themselves in the state of continuous [nirvana](#). In turn, to be able to continually earn for themselves this [nirvana](#), it is absolutely essential that these people live in the society which practices the philosophy of [totalizm](#).

However, if a given user of the "imprisoned immortality" practices in his or her life the philosophy called [parasitism](#), and also lives in a parasitic society, than this limited form of immortality with the elapse of time turns out to be a kind of curse for him or for her. After all, the life in a parasitic society makes impossible for him or her to accomplish a nirvana. In turn without a nirvana, such someone is all time pulled apart by desires and needs impossible to be satisfied, which eat him or her alive. Because such someone never is able to have everything that is continually desiring, with the elapse of time these unsatisfied desires make permanent changes in his or her psychological makeup. On the other hand, in spite of shifting back in time, the psychology, memory, and needs of such people remain unchanged. Also, as their longevity progresses, their attributes and character becomes increasingly evil and unpleasant. So a time arrives one day, when they become too uncontrollable and too unbearable to other their countrymen, while their life becomes a kind of hell. Thus either themselves voluntarily, or with a delicate push by their countrymen who cannot tolerate their unpleasantness anymore, their life is terminated - in spite that they could live infinitively. In the result **for members of a parasitic civilisation, the accomplishing of an "imprisoned immortality" described here is a kind of disguised curse and cheat, which theoretically could give them infinitively long lives, but which in practice drowns them in suffering and hell of increasingly higher unsatisfied desires, increasingly less fulfilled ambitions, and increasingly more powerful feeling of unhappiness, and thus which sooner or later must be terminated with a death.** Slightly more about the "everlasting hell" that members of such civilisations then experience, is explained in item #H3 of this web page, as well as in item #H3 of a separate web page about [God](#). So in fact, in civilisations which practice parasitism, this

imprisoned immortality - similarly as everything else that they accomplish, is only a kind of illusion, cunningness, and theory. In practice, life of each citizen of such civilisations is limited and always finishes with a death, only that lasts a bit longer than it would normally, and that it spreads amongst all involved much more destruction and suffering than it should. However, what is even worst, with the progressing number of subsequent repetitions of lives by citizens of such parasitic civilisations, the level of immortality, unsatisfied desires, and the feeling of unhappiness in these citizens is increasingly growing. In the result, such a civilisation with the elapse of time must blow itself up - as this is explained in item #H5 below of this web page.

Because of this ability of imprisoned immortality, to push the civilisation which uses it into the grip of "everlasting hell", at this point I have an appeal to our descendants who will build time vehicles. Namely, I beg them that **under NO excuse they may allow to shift back in time a person which at the moment of shifting is unable to prove that just experiences nirvana.**

An example of civilisation which right now experiences such imprisoned immortality are these **evil UFO-nauts** who secretly occupy our planet, while whose time vehicles are shown in item #G1 of this web page.

#H2. What is this "everlasting happiness" accomplished due to time vehicles:

*Motto: "The expression 'everlasting happiness' is also a simplest description of the situation when inhabitants of a totaliztic civilisation who mastered the skill of maintaining a continuous **nirvana** use time vehicles for repetitive renewal of their physical bodies, accomplishing in this manner immortality which becomes an everlasting time of indescribable happiness."*

The new "totaliztic science" defines the human-induced "everlasting happiness" as a situation which users of the so-called **time vehicles** accomplish at the moment when they acquire the ability to generate the "imprisoned immortality" described in item #H1, and they implement this immortality in conditions when every inhabitant of their civilisation maintains the state of continuous **nirvana** throughout the entire duration of his or her life. As we remember, this "imprisoned immortality" depends on repetitive shifting back in time to the years of youth of this person, and on reliving the entire his or her life an infinitive number of times. If this repetitive shifting back in time to years of the youth is carried out when someone previously already accomplished the state of the **totaliztic nirvana**, then such a person is going to live infinitively long, while being very happy all time along. This is because of this continual happiness during infinitive period of time that such a situation is named the "everlasting happiness".

Because civilisations which practice this "everlasting happiness" act pedantically morally regarding practically everything, in subsequent repetitions of

their lives they can choose increasingly more perfect variants of their conduct. After all, when they behave pedantically morally, then by a change of variants of their behaviour in subsequent repetitions of their lives that do not spoil the general course which their civilisation is following. Therefore, one amongst attributes of "everlasting happiness" is that participants of it not only live forever, but additionally in every repetition of their lives they may choose a different path through their lives.

Much wider descriptions and explanations concerning this "everlasting happiness" are provided in item #B7, #B10 and #E1 from a separate web page [timevehicle.htm - about time vehicles](#). Explanations why the expression "everlasting happiness" in fact relates to our "physical life", not to the "fate of our soul after the death" is presented in item #J3.3 from the web page [soul proof.htm - about evidence which proves the existence of souls](#). In turn explanations as to what exactly is this "imprisoned immortality", and how we are going to accomplish it in the future, are provided in item #B7 of that web page [timevehicle.htm - about time vehicles](#).

#H3. What is this "everlasting hell" (or "eternal persecution") caused by immoral use of time vehicles:

The described here, human-induced version of the "everlasting hell", can be described as a situation, which members of the civilisations that already have [time vehicles](#) accomplish at the moment when they acquire the ability to generate the "imprisoned immortality" described in item #H1, and when they implement this immortality without previous maintaining in themselves the state of continuous [nirvana](#). As this is explained in item #H1 above, such an "imprisoned immortality" depends on the repetitive shifting a given person back in time after each becoming old. But after each such shifting back in time to the years of his or her youth, the memory of this person, as well as habits, personality, character, envy, evilness, etc., remain the same as they were when this person was old. In the result, because of this repetitive shifting back in time to years of the youth without previous accomplishing the state of the [totaliztic nirvana](#), the level of evilness of such a civilisation is continually growing. After all, they are lacking the nirvana which would exert its saving impact on them. This is because nirvana changes the character and personality of people who just experience it. Such people in nirvana become extremely nice in companionship, indescribably friendly, helpful, daring, loving, always satisfied with everything, etc. In turn in the lack of this nirvana, all members of this "nirvana free" civilisation create mutually to themselves a kind of continuous hell, and are extremely unhappy all the time. But they still are unable to resist the temptation to shift back in time after each reaching an old age, and to relive their life again and again, even if this turns to result in life of misery and unhappiness, and even if each such shifting back in time makes them even more unhappy. Thus such infinitive repetition of

someone's life which makes this person increasingly more unhappy, totalizm calls the "everlasting hell".

Civilisations which just experience such "everlasting hell" are forced to impose a huge number of restrictions onto their members. These restrictions concern the selection of actions which they are allowed to undertake during each subsequent repetition of their lives. This is because, if they for example use slaves from the Earth, they are not allowed to enable these slaves to free from UFOonauts that occupy their planet. Therefore the life in "everlasting hell" allows to keep shifting back in time infinitive number of times, but after each such a shifting back each immortal member of these civilisations do not have a choice how is allowed to act. He or she must act in a way as other members of this civilisation order him or her to act. This practically means, that even after they return to the time of their youth for over 1000 times, they still must again and again go to the same school, write the same tests, accept the same bullying of increasingly immoral colleagues, meet the same people, loose the same dog, etc., etc. Notice, however, that such a boring repetition of the same life thousands of times does not need to be taken by participants of the "everlasting happiness" described in previous item #H2 - who in each repetition can change their path through the life.

In order to vividly illustrate for us consequences of such "everlasting hell", God highly realistically "simulates" for us the [evil UFOonauts](#) who behave as if they secretly occupy our planet, while whose time vehicles are shown in item #G1 of this web page. There is a film made in 1993, entitled "[Groundhog Day](#)". The scenario for this film was probably written either by a UFOonaut who uses time vehicle for such a repetitive shifting back in time and for reliving the same day and events, or by someone whom such a UFOonaut explained how it feels such a repetitive reliving the same events. This is because the film perfectly reflects the feelings and fate of a given participant of such "everlasting hell", who must relive again exactly the same events infinitive number of times. In this film Bill Murray plays a television reporter, who via a time vehicle (NOT shown on the film) is repetitively shifted back to a beginning of the same day. Because it is his time being repetitively shifted back by a time vehicle, he remembers exactly all previous events and versions of the same day. However, all other actors from this film, including Andie MacDowell and Chris Elliot, represent us, people, who live through a given day in a natural (first) passage of time without being shifted back by a time vehicle. Because for us the same day is lived for the first time in a natural course of our time, we do not remember subsequent repetitions of it. Therefore for us people everything that happens during such repetitions of the same time is always happening for the first time. In total the film represents a perfect illustration for numerous aspects of the "imprisoned immortality" practiced without reaching a nirvana. For example, it illustrates perfectly which capabilities of the shifting back in time the immoral aliens (e.g. UFOonauts) are able to utilise for accomplishing various material benefits. It also illustrates the experimental "method of trials and errors" enforced via such repetitive shifting back in time, with the use of which UFOonauts are able to solve for their own benefit practically every situation that they encounter in life. The film shows as well why, and in what manner, such an "everlasting hell" is practically also a kind of refined torture for these ones who experience it through the technical shifting back in time

without previous accomplishing a nirvana. Of course, in reality lives of UFO-nauts are much more sinister than it is shown on this mild film.

Much wider descriptions and explanations concerning this "everlasting hell" are provided in items #B7, #B10 and #E1 from a separate web page [timevehicle.htm - about time vehicles](#). Explanations why the expression "everlasting hell" in fact relates to our "physical life", not to the "fate of our soul after the death" is presented in item #J3.2 from the web page [soul proof.htm - about evidence which proves the existence of souls](#). In turn explanations as to what is this "imprisoned immortality", are provided in item #B7 of that web page [timevehicle.htm - about time vehicles](#).

#H4. What is this "everlasting life" induced by time vehicles:

The new "totaliztic science" defines the induced by human version of "everlasting life", as a life which is repeated infinitive number of times after mastering the ability to shift time back to years of one's youth carried out with the use of technical devices called the [time vehicles](#). Such an "everlasting life" are earning members of all these civilisations which accomplished so high level of their technology, that they build [time vehicles](#). On a separate web page which describes these time vehicles, it is explained that if the humanity was not so much preoccupied with negation of obvious matters nor implementing the so-called [curse of inventors](#) against the most creative people it has, but rather would allow me to complete my inventions and to prove my creativity practically instead of continually making me [redundant from the job](#), then such "time vehicles" could be build not later than within the neared 50 years. Means that people could accomplish such "everlasting lives" not later than in around 50 years from now. But because after these "time vehicles" are build, an unique phenomenon takes place which will "shift back in time the skill of constructing time vehicles" (described below), practically this means that in such a case the generations of people which live on the Earth already now could experience this "everlasting life".

There is a serious problem which is connected with this "everlasting life". The problem depends on the fact, that people who practice this "everlasting life" can live forever, however their everlasting living depends on infinitive shifting back in time to years of their youth. Thus in practice they are always tied to the same times. Therefore this version of the everlasting life is called by totalizm the "imprisoned immortality". But independently from such "imprisoned immortality" there is also "**true immortality**". But the true one is accomplished with the use of superior time vehicles which work on completely different principle of operation. These superior time vehicles are extremely difficult for building. For example, the UFO-nauts who secretly occupy the Earth and whose time vehicles are shown in "Fig. #G1" of this web page, are still unable to build such superior time vehicles, although all date indicate that ordinary time vehicles which allow the "imprisoned immortality" they have and use for at least around 100 thousand years. In order

to be able to build such superior time vehicles, a given civilisation must be able to release a huge doze of creativity - what is only possible if all members of it pedantically obey so-called moral laws. Therefore the chance for earning the true immortality obtain only civilisations which choose the path of light and life precisely according to the intentions of universal intellect - i.e. the life that is recommended by the philosophy of totalizm. Present civilisation of humans is very far from getting any chance for such a "true immortality". After all, in the present human civilisation the dominating philosophy is the parasitism which is an exact opposite of totalizm.

#H5. The "**non-existing existence**" of evil civilisations the inhabitants of which practice the "imprisoned immortality" without accomplishing previously a nirvana:

Accomplishing the totaliztic nirvana turns out to be the decisive factor which determines the further fate of every civilisation that reached the level of the "imprisoned immortality". If a given civilisation creates in itself such a moral climate, that every member of this civilisation continually maintains the state of totaliztic nirvana, then members of this civilisation live infinitively long while being infinitively happy. Furthermore, with the elapse of time they earn for themselves the true immortality described in item #J1 of this web page. But if a given civilisation begins to repetitively shift back in time its members without making sure that each of the shifted back in fact acquired the ability to earn and to continually maintain the state of totaliztic nirvana, then the moral level of this civilisation begins to drop, until this civilisation become the indescribably evil - as I explained this in item #H3 of this web page. In turn such an evil civilisation after a number of shifts back in time all its members finally blows itself up. After all, with each such a shift back members of this civilisation become increasingly more unhappy and increasingly more evil towards each other, but they simultaneously have increasingly more powerful tools of destruction. In turn at the moment when they actually blow themselves up, the laws that govern over time cause that the universe transforms in such a manner as if this particular civilisation never existed at all. Because for such a satanic civilisations it is only a matter of number of repetitions of the life of their members before they actually blow themselves up, in fact these satanic civilisations which practice the "imprisoned immortality" supposedly do exist and supposedly carry out their evil, but in fact they are already non-existent - means they live in a kind of timely "black hole". So each member of these evil civilisations takes part in a kind of the "**non-existent existence**". Means, this member does exist until the moment in time when his civilisation blows itself up, then it turns out that in fact he never

existed. This is because in the universe there will be no sign of his existence and activity. Because through the repetitive shifting back in time, his existence is like suspended in the same point of time, in which later it turns out that he never existed, the existence of every member of this civilisation is as if he or she really never existed.

Very interesting is the natural mechanism with the use of which this "non-existing existence" of members of evil civilisations which practice the imprisoned immortality is implemented. This mechanism in itself is so extraordinary, that it bits all the "paradoxes of time travel" which were invented by authors of "science fiction" and which are described in item #C3 of the web page [timevehicle.htm](#). In order to realise here at least the most vital points why it is extraordinary, now I explain briefly what it is about. If we would to compare to something a civilisation like ours, which still does NOT have time vehicles, then a good comparison would be a **mole** which makes its passage under the ground. Similarly as for this mole, in such civilisation at any moment of time exists and lives only a short number of generations, which make changes in the universe which surrounds them and thus leave behind a trail which certifies that they existed. Behind them on the path which they passed lives nor exists nothing apart of marks of their activities. Similarly in front of them also exists nothing. So when any ancestor of this "mole" rapidly gets crazy and decides to blow himself up, he would NOT be able to do this for a simple reason that he would be dead for a long time. Means, in such a civilisation of mere mortals ancestors are NOT a threat to anyone.

But a completely different situation is in a civilisation which already uses time vehicles. If we would also seek a comparison that would describe such a civilisation that already practices the imprisoned immortality, then the best comparison would be a **tapeworm**. The head of this tapeworm is this particular generation which build the first time vehicle, and to which applies the human version of expression the "**final judgement**" explained in item #H8 of this web page. Every next segment of this tapeworm is a generation of this civilisation which was born from the previous generation that already have time vehicles. So similarly like a tapeworm, this civilisation at any moment of time does exist on the entire its length. Means, in every moment of time not only the descendants do exist, but also all the ancestors starting from the moment when time vehicles entered the public use. After all, these ancestors are also immortal. Only that at very end of this "tapeworm" - which is opposite to the head hooked in a single point of time, periodically new segments are growing which represent next new generations of members of this civilisation. So when in the result of drop in the level of morality, any segment of this tapeworm blows itself up, then disappears not only this segment, but also all other segments which were born after this particular one. After all, these next segments existed only because this blown up segment did exist previously. In such civilisation which uses time vehicles ancestors represent the same threat as a given generation. At any moment of time these ancestors can blow themselves up. In this way they blow up also all these who were born from them and who started their immortal lives from them. Thus in such an immortal civilisation each generation of owners of time vehicles like "**lives on mercy**" of their own ancestors.

Independently from this web page, the topic of "non-existing existence" is also discussed (although from different points of view) at totaliztic web pages

[god.htm - about scientific and secular understanding of God](#) (see there item #D7), and also [parasitism.htm - about the philosophy of parasitism](#) (see there item #E5).

#H6. The phenomenon of "shifting back in time the skills to construct time vehicles" caused by the use of time vehicles:

The phenomenon of this "shifting back in time the skills to construct time vehicles" results from the very nature of these vehicles. Namely, after these vehicles are build, they are able to shift back in time their own builders, while the entire memory and knowledge is maintained by these builders. In turns, after these builders are shifted back in time, time vehicles can be build much earlier than originally. Simultaneously social pressures will be exerted onto these builders, to build the vehicles much earlier. After all, such earlier construction of these vehicles is going to save from the death much higher number of people. In the result, the process of such shifting back in time of the date when these vehicles are constructed will gradually be carried out until the times when it is blocked by the view of the world of people who live in given times (i.e. by the "curse of inventors"). I personally believe, that this blocking by views of people is to take place somewhere on the border of my generation. Judging from the difficulties and persecution which my university superiors and colleagues piled in front of me when I tried to carry out officially the research which a small portion I am describing on this web page, when this phenomenon of shifting back in time the skills to construct time vehicles finally arrives to the inventor of these vehicles, means to myself, in fact this "curseof inventors" will make impossible any further shifting it back by even one more generation of people.

An interesting feature of the phenomenon of "shifting back in time skills of building time vehicles", which is described here, is that this skill is to display the tendency to take an **elite character**. This mean, that it is NOT going to be implemented in the same way as the construction of the first time vehicles - which will have to be conducted officially, with the knowledge of the entire society, and by a sizable research and development team described in item #J3 from the web page named [magnocraft.htm](#). After all, those ones who learn the technology of building time vehicles, will then be able to build them almost alone, with only a small effort and resources. This is because they will have the knowledge how to build them already accumulated, so the only thing that will remain for them to figure out will be how to complete this building with the use of increasingly imperfect tools and materials. (As an example of the smallness of such effort and resources needed then, note from item #D3 of the web page named [eco cars.htm](#), or from item #F2 of the web page named [artefact.htm](#), that the most important component of time vehicles, which is the "[Oscillatory Chamber](#)", were able to build even ancient Israelites - after they received the required knowledge.) Therefore, this regression of skills of building time vehicles - after the

first such vehicle is completed, later can be continued **secretly**, by only a small group of people which in secrecy from rest of the society will repeatedly shift back themselves and their loved ones to years of their youth in order to build their time vehicles each time earlier and earlier. In turn keeping this efforts in secrecy from the rest of people will allow this group of builders to accomplish many benefits and to avoid numerous problems. Thus is almost certain, that this process will be implemented in just such secretive and elite manner. For example, the secrecy will allow them to avoid the so-called "impeders" - i.e. people who do NOT deserve immortality, who refuse to accomplish nirvana before being shifted back in time to years of their youth, who will NOT be able to assist in the construction of time vehicles, but who could block the progress of builders that implement this shifting back of technology, by directing at them the destructive powers of the "**curse of inventors**", etc. (So it should NOT be a surprise, if for example, sightings described in items #D6 and #D6.1 from this web page, were reports from someone's accidental encounters with participants of just such very elite group of builders who act in absolute secrecy already now.) Therefore, I encourage these readers, who would like to take part someday in the work of such an elite group of builders, to already now somehow show that they practice and disseminate totalizm, to keep helping me in my research and in dissemination of my results in any way that lies in their capabilities, and to repeatedly maintain a contact with me - as this is explained in item #H10 from this web page, and in item #F2 from the different web page named [timevehicle.htm](#). After all, the more widely someone is to disseminate today the knowledge about totalizm and about the work of time vehicles, the greater is probability, that the future builders of these vehicles are to secretly turn to him or her in the manner described here.

#H7. How time vehicles are also going to cause the "rising of people from graves":

Motto: "If you wish to belong to an elite group of people which in the result of 'shifting back' the technology of building time vehicles are going to be returned to the everlasting life, you must already now become known as a person who actively promotes moral live and who is a role model for a moral behaviour."

The building of time vehicles on Earth is going to cause an extraordinary phenomenon of "shifting back in time of the technology of building time vehicles" - i.e. the phenomenon already mentioned in item #H6. This shifting back of technology is going to manifest itself in such a manner, that each time bodies of builders of these vehicles are returned to the time of their youth, time vehicles are going to be build several years earlier. This increasingly earlier building of time vehicles is going to be caused by two factors. Firstly, each time after the builders of time vehicles are moved back in time, they will perfectly remember from the previous lives how to build these vehicles. So they are going to be able to build

them faster, means also earlier. Secondly, their purely human feelings to those their close ones, who died only because time vehicles were still unavailable, will mobilise them to undertake even more intense efforts to build time vehicles much earlier. In the result of these two factors, the date when time vehicles become build, is going to be gradually moved backward. Of course, this movement backward is going to have a limit, which is to be defined by the view of the world in people who gradually are going to be called to the earlier building of time vehicles. I estimate, that this limiting view of the world is going to be placed at my (and ours) generation of people. After all, it is my (and ours) generation of people that was the first on Earth which began to use computers. Thus, it is also going to be the earliest generation on the Earth, which will be susceptible to the mobilisation from future generations to initiate earlier the building of time vehicles. In fact, from various own "recalls from the future" I suspect, that I am going to be included during one of these future passages of time into a team which is going to build time vehicles at an earlier date.

Because of this increasingly earlier building of time vehicles, an extraordinary phenomenon is going to take place on the Earth. Namely, some people who in "normal" passage of time will be forced to die - because during their "normal" life time vehicles were still not build, after the earlier building of time vehicles they become rapidly returned to life. Thus, such shifting back in time of the technology of building time vehicles is going to have this consequence, that many people who already died, rapidly "raise up from their graves". Of course, this "rising up from graves" will have a different character that we typically imagine it from descriptions in the Bible. In reality these people will awake like from a long dream and then they will continue their lives normally like nothing has happened. In turn, after such waking up they will discover, that their bodies are already younger than they remember having them before the death. Only the memory of many out of them will still remember that they already died some time before. All people who in this manner will "raise from graves" will NOT die again later, but will live forever repetitively shifted back in time after each reaching of a more senior time - as it is described in item #H1 of this web page.

Unfortunately, this "rising people from graves" is going to have a selective (elite) character. This means that NOT everyone is going to be returned to life within the scope of generations which will be included into this shifting back the technology of building time vehicles. Namely, only these people who let themselves know as either giving to others examples of moral lives, or become famous amongst others with their fight for the spread of morality, will selectively be returned to life (i.e. only these people, the level of morality in which is going to provide a guarantee, that they are able to earn the totaliztic [nirvana](#) for themselves). The reason for such an elite character of these returned to life, will be the "final judgement" which is explained in item #H8 of this web page. Namely, if the verdict of this final judgement will be the "everlasting happiness" for the humanity, then only moral people will be returned to life during this shifting back the technology of time vehicles. In other words, the returned to such everlasting lives will be exclusively people who with their normal lives give their successors the guarantee, that after the return to life they are NOT going to spoil this verdict with their immoral behaviour. In turn if the verdict of the final judgement will be the "everlasting hell", then again the returned to life will be only moral people.

The reason is that the future generations which then already will taste how this hell actually feels like, will exert an enormous pressure on these their ancestors, who are going to implement the shift back of the time vehicles' technology. Their pressure will request to return to life only moral people, or people who fought for morality on Earth. This is because by returning to life only moral people, these our descendants who will be sentenced to the "imprisoned immortality" will obtain a chance, that the previous verdict of the "final judgement" may become somehow invalidated and changed into the "everlasting happiness". So the outcome will be such, that independently of the verdict of the "final judgement" described in item #H8 below, returned to life always will be exclusively moral people. So if you, the reader, just in case, wish to be included into this elite group of selected people, then already now you need to let others know yourself as a person leading a very moral life, and also you need to show to others, that you actively fight to allow the morality to prevail on our planet.

The phenomenon of "rising of dead from graves" is also described briefly in item #H5 from the web page [god.htm - about scientific and secular understanding of God](#).

#H8. The court-hearing of the human version of the "final judgement" just started on Earth - and you are the judge and the accused:

Motto: "If you are a man born on Earth, then no matter what laws are imposed onto you, for the patriotic duty and also for your own good, in every life situation you should act pedantically moral - exactly as the conscience commands you to do."

The humanity just entered the most breakthrough period in the history. Never before in the past, a future fate of all people on Earth was depended forever on what the present generation of people does. This is because inclusively with the generation of people who were lately born on Earth, every next generation of inhabitants of our planet is able to build time vehicles for themselves - if they only decide to have them. All what is needed to build time vehicles, is to trust in truths that I explain to people, and to mobilise themselves to a common effort of technical implementation of my guidelines. In turn since the moment when a given generation of people build time vehicles for themselves, every inhabitant of the Earth becomes immortal. This is because every person obtains then the ability to renew his or her body infinite number of times by shifting back in time, while his or her memory and his or her awareness of the continuity of the life will remain unchanged.

But in this most breakthrough time in the history of the Earth, when the humanity accomplishes the ability to live forever, the entire our civilisation is

going to subject itself to the "final judgement", to pass on itself the final verdict. This verdict either advances every inhabitant of the Earth to the life in an "everlasting happiness", or condemns every inhabitant of the Earth to the life in an "everlasting hell" - as this is explained in item #H3 of this web page. After all, if every person on Earth manages to accomplish the state of the totaliztic [nirvana](#) still before he or she shifts back in time for the first time, then the humanity will be advanced to the honourable privilege of further life in the state of an everlasting happiness. Thus every citizen of Earth will then be able to live infinitively long, and to maintain during this infinitive life the unimaginable happiness. But if people begin to repetitively renew their bodies without the previous accomplishing the state of continuous totaliztic [nirvana](#), then their minds begin to roll downhill into the fires of increasingly higher suffering and unhappiness. After all, with each shifting back in time, only their bodies become renewed. In turn their minds remain equally disillusioned, disappointed, scared, bitter, unhappy, and full of unfulfilled desires, as they were before the shifting in time. Because with the progression of the number of such shifting back in time everyone is going to live in the society which is composed of exclusively such "disillusioned oldies in renewed bodies", also the level of morality and happiness of the entire society begins to rapidly fall down. In the result, soon afterwards the life in such a society becomes like a punishment in the hell - all will be increasingly more unhappy, increasingly more aggressive and unpleasant to others, increasingly more burned by fires of unfulfilled desires, increasingly more disillusioned and bitter, etc., etc. **Actually in case when someone accomplishes the immortality without previous accomplishing the permanent state of totaliztic [nirvana](#), then such someone is going to live like in the everlasting hell.** After all, he or she will be unable to resist the temptation of a repetitive avoiding the death through renewal of his or her body, but simultaneously after each such renewal of the body he or she becomes increasingly unhappy.

Although the above verdict about a kind of the future which awaits humanity becomes announced only at the moment when people build time vehicles for themselves, the court procedures for this final judgement begins already now. After all, humanity knows already now that at each of its wish it can accomplish the immortality, and also that the fate which people meet after this immortality is achieved will depend on whether by that time people earn for themselves the moral tradition of accomplishing the totaliztic [nirvana](#). In this proceeding of the "final judgement" of humanity just being initiated, everyone amongst us is both, the judge, and the accused. The judge is because by the level of happiness which the society around allows him or her accomplish in this life, he or she is able to determine precisely which one out of both fates to select from (i.e. the "everlasting happiness", or the "everlasting hell") the humanity already earned for itself by a given time. Simultaneously each one amongst us is also judged. After all, the fate which is going to be met by the entire humanity, can also be met by each one of us. This is because after building time vehicles, the skill of their building will begin to shift back in time - as I explained this in items #H6 and #H7 of this web page. So in some moment of time in the future, we also can be included into this cycle of reviving and repetitive renewals of the body, even if earlier we are going to die. (Not mentioning that for sure this fate is going to be met by our descendants.)

The above explanations reveal clearly how the old expression "final judgement" should be defined in the light of the situation called the "imprisoned immortality" that is repetitively implemented by the owners of time vehicles. According to this definition, **by the term "final judgement" the civilisation which builds time vehicles should understand the period in its own history through which is going to shift backward the technology and the skill of constructing time vehicles, and thus in which (period) is decided the moral situation of people who later are to use these time vehicles for accomplishing "imprisoned immortality"**. This "final judgement" issues a single verdict, to which are subjected later all people who in this civilisation use time vehicles for accomplishing "imprisoned immortality". Namely this verdict is either "everlasting happiness" or "everlasting hell". The verdict is going to depend on whether or not all people who are being shifted back in time to days of their youth managed to accomplish the state of totaliztic nirvana before this shifting back in time is executed for them.

So in reality right now the eternal fate of humanity is being decided. Therefore each one of us have now not only a moral duty, but also a personal interest, to put the entire energy which is able to yield, into the lifting of the level of morality around us. In turn by lifting this morality every one of us is going to contribute towards the creation of the moral climate on Earth in which every single citizen will be able to accomplish the totaliztic nirvana. Fortunately, this lifting of morality is simple - we only need to mobilise ourselves to implement it. It boils down to listening the voice of our conscience in everything that we do. Means in every situation that we encounter in our lives we should always choose such a line of action, that is agreeable with the voice of our conscience, and thus moral, while simultaneously does not break the requirements which are imposed on us by the society around us.

The only problem which during this lifting of the level of morality still does exist, is that mixed with us and hiding in crowds are UFOonauts who already long ago entered the state of an "everlasting hell". To be even worse, these UFOonauts occupy almost all key positions on the Earth. They impose on us their laws, provoke us to aggression and immoral activities, sabotage our efforts to spread knowledge and truth about the role of morality in our lives, and do everything in their powers to push us onto the path of an identical "everlasting hell" as the one along which they are moving. In order to act even more effectively, in present times they assumed the tactics of "wolves in ship skins" - about which the Bible warns us. For example, in Poland many of them for a long time impersonate adherers of totalizm, only to be more effective in pushing the totalizm down and in sabotaging my activities on the Earth. Thus another duty of each one amongst us (in addition to the doing everything in life in harmony with requests of our conscience), is that we have the duty to oppose all these provocations, commands, and cunningness, with the assistance of which UFOonauts continually try to push us from the path of moral behaviour.

#H9. Keeping young appearance and

health, which are to look apparently contradictory to the knowledge and position of a given person:

Time vehicles allow their owners to always live in the age of their bodies, when these bodies look the best and are most healthy. Thus, in the society of people who already have time vehicles, one are to see exclusively people looking surprisingly young for their real age, while the knowledge of which (and also their position in a given community of "immortals") will surprise by being contradictory to their appearance. Thus, e.g. when in the Bible one reads a verse from the "Revelation", in which is written about "elders", then one should NOT understand, that these "elders" will be composed of "old people" in present understanding of this word, but that they will look surprisingly young and beautiful - only that their positions will be of decisive types.

#H10. Why the folk wisdom persuades, that the insistence on truth always pays off in the end:

The terminology and expressions described in this "part #H", originally derived from the Bible, such as a "human version of the final judgment", the "eternal life", the "everlasting happiness", the "eternal damnation", the "resurrection of dead", etc., which to this web page has been adopted for a more illustrative explanation of various consequences of constructing time vehicles, contains extremely important truths, warnings, suggestions, tips, and far-reaching analogies, a careful study of which could turn out to be highly beneficial both, to the entire mankind, as well as to individual readers of this web page. After all, through for example, the disclosure of analogies existing between what the Bible describes as planned by God for implementing after the end of the present world, and what is possible through the use of the possibilities offered by the reversible software time, these realize to us mechanisms and principles with the use of which at the end of this world God will realize whatever He foretold in the Bible. In addition, **these expressions provide also a scientific confirmation for the truth of whatever the Bible describes, and simultaneously they add an empirical confirmation of the truth to whatever is explained on this web page** - after all, if two independent sources (i.e. the descriptions from the Bible and the scientific findings described here) state exactly the same, then this constitutes a proof that they both express an objective truth, only that in the case of the Bible this truth comes from the empirical knowledge of God, while in the case of descriptions from this web page, the same truth stems from research and deductions of the new "totaliztic science". These expressions also warn that regardless of one's worldview and belief, still in the vital interest of every person

on the Earth lies to practice in your life the "true morality" which a written form is relied to people in the Bible and repeated scientifically through findings of totalizm, in turn the verbal form is prompted to everyone by his own conscience (as it is emphasized in items #B5 and #C3.2 from the web page named [morals.htm](#)). These expressions also motivate, that in our daily proceedings we strive to achieve the level of so-called "righteous", described here in item #C4 (while more accurately explained in item #I1 from the web page named [quake.htm](#)). The expressions also urge to NOT be afraid to let others know us as supporters and promoters of "totalizm" and the new "totaliztic science", nor avoid helping the author of this web page in any way that lies in one's capabilities. Furthermore, the expressions also advise that **while remembering that the author of this web page has NOT enough free time to reply to emails he receives, still it is worth to keep in touch with him by sending him emails with brief statements of what we made and accomplished in our own promotion of totalizm and in inducing the advancement of knowledge about "time vehicles"**, as with such emails we enter (just in case) into the author's databank in memory, the list of our activities, achievements, and capabilities, so that this bank of information can be gradually formed in the mind (and soul) of the inventor of "time vehicles" described on this page. After all, when the process of shifting back in time the skills to build time vehicles (described here in item #C6) is once started, then this process will inevitably be pointed at the inventor of these "time vehicles" (i.e. at the author of this web page), and thus it sooner or later arrives to him.

Part #I: Requirements and consequences of practicing the "imprisoned immortality":

#I1. The Polish proverb "not every dog deserves a sausage" ("NIE dla psa kielbasa") is valid also for immortality - i.e. NOT every person deserves it:

Motto: "How to offer immortality to people who do not know what to do with their time just while their television set gets out of order."

The previous parts of this web page explained it clearly - to the immortality

we need to deserve, while in present times NOT every human deserves it. This is because in order such immortality does NOT transform into an "everlasting hell" for the entire humanity, from the people who will be shifted back in time to years of their youth must be required the fulfilment of an "iron" rule, namely that **before they are shifted back in time they must accomplish the state of totaliztic nirvana**. Thus, until the time when the humanity reaches the level of moral development at which this rule can be executed with an iron fist, people will NOT be ready for gaining the immortality.

The obligatory execution of the requirement of accomplishing the "totaliztic nirvana" by every person shifted back in time to years of his or her youth contains in itself also a verdict for accomplishing the immortality with medical methods. Namely, all medical methods of extending the life will always be immoral for reasons described in item #B2 of this web page. In turn their immoral character means, that these people who are going to use it, will NOT be able to accomplish the "totaliztic nirvana". After all, the requirement of this nirvana is, that everything what one does must be absolutely moral. So the practical consequence of immoral character of extending the life with medical methods is that people who will use them will be gradually drown into an ever-increasingly deeper state of the "everlasting hell" described in item #H3 of this web page. This fact in turn disqualifies the use of medical methods for extending lives - if the person who extends his or her life wishes to lead this life in a relative happiness. So it looks that the only acceptable path to immortality leads through the use of time vehicles.

Part #J: Accomplishing the "true immortality":

#J1. What is this "true immortality":

The principle of travelling in time through the "shifting the execution control in our 'programs of life and fate' " (described in parts #A to #G of this web page) has a whole array of drawbacks and limitations, which are explained previously in item #A3 and in "part #H". But there is also other principle of travelling in time. It is based on a different phenomenon of "waving (bending) the timespace". This other principle does not have limitations of the previous one. So it allows to shift to any point in time - even to the one that lies outside of the time of our life, and it also allows to take any objects with us to different times. Unfortunately, it is also indescribably more difficult to technical implementation than the principle described on this web page. Therefore it will be implemented only a long time after the principle described on this web page is mastered. But when finally it is

realised, then in connection with the principle described on this web page it provides people with the "true immortality". Means, due to the joining both these principles, people will be able to be always young, as well as they can shift to any point in time (both from past and from the future). So they trully can live forever. This "part #J" describes what we already know about this other extraordinary principle of unlimited travel in time accomplished through "waving (bending) the timespace".

#J2. The principle of time travel which is based on "waving the timespace":

The principle and the phenomenon on which the travel in time through "waving (bending) the timespace" is based, are manifested on the Earth since a long time. Most frequently people have a possibility of noticing it in the form of the "effect of time duplication", which is described more comprehensively in item #C6 of the web page named [timevehicle.htm](#). I personally note various manifestations of this effect at least once every year. It is this phenomenon that can also be used for travel in time. Fortunately, it is extremely difficult to construct devices which would allow to execute this means of time travel in a controlled manner. On the other hand, the time travel accomplished on this principle opens incomparably more possibilities that travel through time on the principle of shifting the execution control in our 'programs of life and fate' " described previously on this web page. For example, through "bending (waving) the timespace" one can interactively move to any epoch and is NOT limited by the length of own life. Also the access to unlimited immortality is then gained. One can take into the trip to other times any objects that wishes, including the time vehicle itself. This in turn allows to "return" to own times whenever one wishes.

In order to explain principles on which such bending (waving) of the timespace allows an unlimited time travel, we firstly need to remind ourselves the explanation how time works, provided in items #C1 and #C3 from this web page. According to this explanation, time is a kind of "software landscape", or more strictly "timespace" or "omniplan", through which everything that exists in the entire universe does move. This software "timespace" ("omniplan") is extremely elastic. Every rapid movement which takes place in it, causes powerful waving of it. In turn, when these waves caused by something are sufficiently powerful, then they cause that some objects are moved from one area of this timespace into another area. In practice this means, that these objects are shifted to totally different times. If any person by a chance becomes one of objects relocated in this manner, he or she is then shifted from his own time to a completely different epoch. On other totaliztic web pages I am explaining, that on the Earth "simulations of UFOnavts" are active - which already have "time vehicles" shown e.g. in photographs from "Fig. #G1b-d". Thus each time when these "simulations" start their "time vehicles", or when they explode their time vehicle (as this is described on the web page [tapanui.htm](#)) they by accident cause also such a phenomenon of a powerful "waving of timespace". Therefore, the "effect of time

duplication", which is described more comprehensively in item #C6 of the web page [timevehicle.htm](#), is just an external manifestation of this particular phenomenon. If inside of so waved timespace by accident a person (or any other living creature) is found, then for a short period of time he or she is shifted to completely different times. In turn when such a waving of timespace is especially strong, then the shifting to different times can be permanent.

There is a huge body of evidence, which confirms that such shifting of objects in time through waving the timespace is possible and that in fact every now and again it uncontrollably takes place around us. A significant amount of such evidence is presented in subsection V5.3 from volume 16 of my older [monograph \[1/4\]](#) (see item #4 over there). For a scientific exactitude I am going to repeat here the most representative examples of it. And so, it was just through such a waving of timespace, that in New Zealand a lizard-like creature called "tuatara" was permanently shifted to the present times from a different epoch. Just because of this extraordinary fact, that the mastery of the process of waving the timespace opens all possibilities, including the immortality, a Maori name for "tuatara" means a "key to the omni-knowledge". (See also item B1 in English monograph [\[5\]](#), which in subsection C7.3 from a Polish version [\[5/4\]](#) of this monograph was enriched by further details.) Also in literature there are descriptions of numerous phenomena induced by waving of timespace, which caused appearance and disappearance of various objects. Several examples of such cases are provided in subsection "Tajemnicze materializacje" from pages 57 to 83 of the Polish translation of the following book [\[8V5.3\]](#) by Rodney Davies "Nadprzyrodzone zniknięcia" (title of the original: "Supernatural Disappearances"), Dom Wydawniczy Limbus (85-959 Bygoszcz, skr. poczt. 21, tel./fax 28-79-74), 1995, ISBN 83-85475--80-X, 255 pages, pb. For example, on pages 78 to 83 of this book, a well documented case is described, when in 1979 four tourists from England, namely a brick layer Len Gisby, his wife Cynthia, and their friends - a rail-road worker Geoff Simpson and his wife Pauline, spend a night in a hotel from the village Cuccolde in Southern France. As it later turned out, this hotel, together with all employees, old furniture, and even old visitors and gendarmes, was shifted temporally to present times from around 1905. When, after their history was published, in 1983 searches for this hotel were initiated, only remains of the old foundations of it were found. Other case of shifting to different time is discussed in a part of the American television serial [\[2#J2\]](#) entitled "Weird or What?" which was broadcasted in New Zealand on 10th January 2011 at 7:30 pm till 8:30 pm on the channel 3 of TVNZ (this part probably still can be downloaded from the section "on demand" of the web page of this television channel with the address [www.tv3.co.nz.](#))

#J3. Characteristics of the time travel accomplished through the waving of the timespace:

The time travel which is accomplished on principles of the "bending (waving) of the timespace" displays the following characteristics: (1) It practically has no limits, conditions, nor requirements imposed onto it regarding the time point to which someone wishes to shift. So it allows to shift in time to any epoch or period of time and stay there for as long as one wishes.

(2) The traveller can take with himself or herself to such a trip practically every object that he or she owns - including the "time vehicle" in which he or she travels, and every person or creature the company of which he or she wishes to enjoy. In turn taking the "time vehicle" allows later to return to own times.

(3) To different times is shifted the current body and current state of knowledge and memory. Thus, if e.g. shifted to different times is someone already old, then after the arrival to different times he or she is still old. Notice that this principle of shifting in time does NOT change our age (e.g. does NOT make us younger) - as it happens after the use of principle characterised in item #A4 of this web page (i.e. after the use of a different principle the description of which was the goal of this web page).

(4) All visits in different epochs and periods of time have interactive character. It means that a given traveller in time is able to participate actively in everything that he or she encounters in the epoch being visited.

#J4. Advantages of the "true immortality":

Travel in time carried out on the principle of the "bending (waving) of the timespace" described in this "part #J", provides true immortality to the ones who mastered it. The owners of "time vehicles" working on this principle are able to shift to any epoch which they wish to visit, stay there for any length of time, and also take with them over there, or to take back from there, everything that they wish - including the "time vehicle" itself which allows them to return to their own times. Because their time vehicles are to have also inbuilt the ability to make their bodies younger through controlling their "programs of life and fate" - as described on this web page, their bodies will be always young and always capable. Since simultaneously they have the good luck to live in a totaliztic civilisation (because only totaliztic civilisations are able to develop this kind of time vehicles), in fact their infinitively long lives are also full of infinitive happiness. So they practically live like gods. Our civilisation should make for itself the major goal to become such an immensely happy totaliztic civilisation.

#J5. Tragedies of accidental shifting of people to different times on the principle described here:

In item #J2 of this web page is explained that because of the activities on the

Earth of the "simulations of UFOonauts" which already have time vehicles, sometimes happen cases when people present too close to such started or exploded "time vehicle of UFOonauts" by a chance are shifted permanently to different times. At this point I would like to realise that such a shifting is an immense tragedy for them, the living through which I do NOT wish even to my worst enemies. Especially if this accidental shifting is to times earlier than own. The reason of this tragedy is that such accidentally shifted people do NOT have a time vehicle which would allow them to return to their own times. So they land permanently in times in which they do NOT know anyone, do not have any friends nor family, in which is used a different technology than they know, and inhabitants of which practice a completely different style of living - sometimes even using a different language. In addition, their bodies are already in the age which they had at the time of being shifted to different times. So if the reader can place himself in their position, then he probably is going to understand what tragedy is for them to find themselves in such a situation. As an example, I suggest to consider what would happen if these are us that rapidly are shifted to time e.g. 50 years earlier. Even if we would have enough good luck, to have with us at the moment of this shifting our computer, digital camera, hand-phone, radio or television set, we still would be unable to use these - as 50 years ago there was NO infrastructure which would reassure the work of these appliances. For example, computer probably could be run to write on it a letter or a book, but this letter of a book could NOT be printed. There were no present printing devices at that time. We also could NOT link our computer to internet to send an email, as internet still did NOT exist at that time. In a similar way our hand-phone, digital camera, radio or television would turn useless. We also would NOT know anyone living at that time, while even if we manage to find some members of family, they probably would call police or a mental hospital. In turn our unexpected materialisation from the thin air in the middle of e.g. meeting of former council or family gathering would probably cause that local authorities would lock us in a special facility and never let us free. I will NOT elaborate on the fact that in order to return to "our times" we would need to await for further 50 years - probably in the meantime dying from old age. In a similar situation find himself or herself everyone who accidentally experiences such a permanent shifting to different times.

Part #K: The assistance of other people which I needed (but never obtained) in order to build "time vehicles" and give this way to humans the access to immortality:

#K1. Since 1985 (when I discovered the work of reversible software time) until today, I would already build time vehicles if other people provided me with the assistance that is required:

Judging on the volume of my accomplishments since 1985 (when I comprehended the principle on which time works and thus started the process of inventing time vehicles described here) we can be sure that if then I would receive from others the help that I need, until today I would build time vehicles. After all, since 1985 passed already over a quarter of century, means much more than I would need to build time vehicles - for details see item #J3 on the web page named [magnocraft.htm](#). About my creative potential perfectly certifies the large number of extraordinary devices which I managed to invent, discoveries which I accomplished, theories of the type "**paradigm shift**" which I developed, proofs for the correctness of my findings which I identified and pointed to others, and scientific monographs which I managed to write. And we must remember that I was forced to create all these in hugely hostile conditions in which other people would probably just sit and cry, and which (conditions) very cautiously and briefly are mentioned, amongst others, on the web page [pajak jan uk.htm - about myself, means my autobiography](#). After all, in the country I was born they tried to shoot me, in turn in the country I escaped to they do not have work for me for a majority of time, nor even consider me eligible for a dole. Thus, instead of creating, discovering, inventing, researching, constructing, and making progress, to which obviously I have in-born inclinations, the majority of my energy and time I was (and still am) forced to waste on seeking jobs or on wander throughout the world to earn for a slice of bread. Also the majority of what I created I was forced to develop while vegetating in a leaking flat only slightly larger than an average lift, not having at home even a good screwdriver, not even dreaming of having an Internet, and while with growing horror I spend each cent from my savings - as I may need it even more in my older age.

#K2. What is required to build time vehicles and to give the technological immortality to the humanity:

Time vehicles cannot be constructed by a single hobbyist in a corner of his kitchen or bedroom. How actually the building of time vehicle should look-like is

perfectly illustrated by historic examples. After all, the completion of a time vehicle would be a miniature version of programs of the type "Apollo" or "Manhattan" that were completed in past. For example, in times when these historic programs "Apollo" or "Manhattan" were carried out, their final goals seemed to be equally distant and equally impossible for accomplishing, as at present seem to be the final goal of undertaking the building of time vehicles. Also, the level of detailed knowledge about their goals in people who completed these historic programs was even much lower than the level of my own knowledge about the work of time and about principles of operation of time vehicles. Furthermore, people who implemented these historic programs had NO access to so obvious confirmations of their ideas as these numerous confirmations of my principles which are described in items #D1 to #D7 of this web page. But, as we all remember, these historic programs "Apollo" and "Manhattan" produced tangible outcomes and allowed their goals to be accomplished already after 8 and 4 years. So even if for the building of time vehicles we would designate a small fraction of resources which were eaten by these historic programs, still the success would be accomplishable. Perhaps NOT after 4 or 8 years, but for sure sooner than after the elapse of over a quarter of century which passed since 1985 - when I discovered the work of time and initiated the theoretical development of design of time vehicles, until today. (My estimates of the lengths of time required for constructing these vehicles by various teams of researchers, are provided in subsection M11 from volume 11 of my newest [monograph \[1/5\]](#).) **So for sure YES, at the present level of technology time vehicles can be build, while we are able to complete them - opening with them the access of humanity to the immortality.** (At this point I should remind that the goal of the "Apollo" program was landing of humans on the Moon. This program was initiated by President John F. Kennedy in 1961 and continued until 1975. On 20 July 1969, means already after 8 years, it was crowned with the landing of people on the Moon. In turn the program "Manhattan" was aimed at building the atomic bomb. This program was active from 1941 to 1946 and was "crowned", amongst others, with bombarding Japanese Hiroshima on 6 August 1945.)

In case when for example I was the researcher who builds the first time vehicle, then in order to accomplish a success it would be necessary that I am granted the following conditions for research. (1) Continuous access to a well equipped research laboratory, where all new prototypes and ideas could be tested, measured, evaluated, etc. (2) An efficient prototyping service which would supply all prototypes for research and which would operate sufficiently fast. (3) Optimal office conditions for constructive scientific investigations. Means a quiet office, an access to a good scientific library and to Internet, a lack of employment-related stress, etc. These conditions should be such, that they would encourage creative productivity, not kill it by any chance.

However, what even more vital, the possible project of building time vehicles cannot be initiated for as long until (4) the required number of people begins to support actively this project. In turn, to appear such a significant number of people who would request the starting of the program of building time vehicles, it is necessary (5) that the so-called "software interpretation of time" (described in chapter N from volume 11 of [monograph \[1/5\]](#)), is widely recognised and

accepted, and also it is necessary that (6) a significant proportion of people earns the certainty that the elapse of time really can be reversed and thus that time vehicles can be build.

Unfortunately, practically never the above conditions were met in my professional career to-date. This is the reason why, in spite that I promote the building of time vehicles already since 1985, as so-far nothing specific started to happen towards actual building these extraordinary devices. The problem is, that acting just by myself I am unable to convince other people to undertake building of time vehicles, nor I am able to start this building on my own. So it is absolutely necessary that in this matter I receive an assistance required from other people.

#K2.1. More extensive calculations of people and means needed to build the first time vehicle are provided in items #J1 to #J3 of the web page named [magnocraft.htm](#):

Quite a number of readers asks me repetitively what kind of material means and how big workforce would be needed to build the first working time vehicle. For the use of these readers I prepared appropriate calculations and published these in items #J1 to #J3 of a separate web page named [magnocraft.htm](#). I recommend to have a look in there - especially at item #J3.

#K3. An appeal for giving me assistance in the research described here to create the access of people to technological immortality:

Many people are unable to understand, that just by myself I am unable to build the time vehicle in this small space that I have to my disposal under the kitchen table. Especially in present hostile attitude of many people and many scientists towards my theories and discoveries. This is why I continually appeal for a help to other people. After all, the building of time vehicles and the access to immortality is NOT just my private matter, means is NOT the private business of [Dr Eng. Jan Pajak](#), but in reality is the business of everyone of us. After all, everyone of us must die at some stage. Also everyone must give out to death all these close ones whom he or she loves the most.

My time gradually runs out. As I explained this on the web page [about myself \(Dr Eng. Jan Pajak\)](#), I was born in 1946, and I had rather a tough life full of difficulties and shortages. Also currently I am forced to live in conditions which normally would NOT be recommended for health reasons. So my body and mind gradually loose their previous creative capability and vision. Thus, if I do NOT

receive an assistance needed relatively fast, then together with me will also go my **understanding and "feeling" for the software time** that I accomplished so far during my many years of research. In turn for someone else to accomplish this level of understanding and "feeling" of such extremely difficult subject area as the "software time", several hundred, or even several thousands of years may need to pass. Of course, without the required level of understanding how time really works, the building of time vehicles - instead of being completed within just several years, may last even hundreds or thousands of years. Thus, the present situation with gradual losing the chance for an accelerated completion of time vehicles - if only my countryman provided me with the required assistance (instead of scoffing and spitting at outcomes of my research), for future generations of people may become an analogy to the fate which in the play "Wesele" (i.e. "Wedding") by the Polish writer named Stanisław Wyspiański was met by the proverbial "**golden horn**". So herewith I am appealing to NOT waste any more the precious time, and to provide me with the required assistance already now. If the assistance arrives in time, then before I go perhaps I still may advance experimentally at least the shortest path which will lead others to accomplishing the technological immortality.

This appeal for assistance does NOT mean an appeal for funds - as I am explaining this in next item below in more details. After all, the essence of the assistance that I need depends on the creation of conditions in which it would be possible to undertake the building of the Oscillatory Chamber, time vehicle, and other my inventions. These conditions I described comprehensively in item #K2 above. In fact just such conditions were created a long time ago for taxpayers money on a large number of universities. Only that I do NOT have an access to these. So in order to have an access to these conditions, it is necessary to cause a change in thinking of several decision makers, which block my access to these conditions. In turn for such a change to take place, it is necessary to either disseminate amongst people the understanding of need for such a research as I am carrying out, or the appearance of something that changes the attitudes of these people. Therefore the assistance that I am asking for, depends on implementation of any amongst thousands of possible actions which would influence human attitude towards what I am trying to accomplish. For example it could be just e.g. opening for me a free access to a prototyping facility and to a research laboratory of some research institution. Other such an action could be a help in dissemination amongst people the knowledge about my theories, findings, and inventions. Thus it could boil down to e.g. discussions about immortality or Oscillatory Chamber with friends, writing about it in newspapers and in Internet, or - if possible, also supporting this knowledge with one's own knowledge and life experience. An assistance would also be e.g. a help in finding an university job for me - which presently consume the majority of my time and effort. After all, if I find such a permanent job at a university, then I could devote my time to research instead of wasting it for writing hundreds of job applications and for inventing manners in which I can decrease the speed of melting down my savings from which I am forced to live. An example of even more advanced help would be to build an instrument for the measurement of the speed of elapse of time - as this is described in item #D2 of this web page, and later measuring the speed of the elapse of time in all close ones around. Still other forms of help could depend e.g.

on assistance in book edition of my theories, on free passing to me own old computer, software, or a modem for a fast Internet connection, or on assisting me in free fixing formalities connected with gaining an access to fast internet (presently the access to Internet I have mainly through the nearest "cyber cafe"), or on undertaking the construction of any device which I invented, e.g. the construction of the "Oscillatory Chamber" discussed here and shown at the address <http://video.google.it/videoplay?docid=-6524822319379322289&hl=it>.

Of course, amongst forms of help described above the most effective one would be to open for myself somehow an access to a research laboratory and to prototyping facilities. In turn such an access is already being typically granted by taxpayers to a number of present scientists - only that for some reasons it seems to be closed for me. Therefore probably the most effective form of help would be causing somehow that I would receive an access to whatever typically is given to the disposal of scientists - many of which do NOT intent to make use of it. This form of help would NOT require any investment, and it still would be able to accomplish its goal (i.e. undertaking the building of the Oscillatory Chamber and time vehicle). This is because it would utilise resources which the society already has, makes available, and maintains, and it would only increase the efficiency and level of utilisation of social resources designated for the progress of human knowledge and technology.

#K4. Please take notice that I do NOT ask for a financial assistance:

Motto: "If you give a fish to someone you will set him for a day. But of your create conditions for someone to be able to fish, you will equip him for the entire life."

In present times people have some erroneous belief that help must depend on giving money. However, **totalizm** reveals, that giving money to someone never solves his problems. An excellent explanation why giving money is NOT a help at all, but only shifts the problem to a later date instead of solving it, provides this Korean proverb which I quoted above in the "motto" to this item. The building of time vehicles and the help for which I am appealing, is an illustrative example of just such a situation. After all, even if I would receive from someone a sum of money, still this would NOT help me to build a time vehicle. (I should emphasize here that I never received a financial help from anyone.) After all, the sum which a possible giver could afford would NOT change the harsh conditions in which I live presently (i.e. a small and dump flat only slightly larger than an average lift, a lack in home even a good screwdriver, not mentioning the access to Internet, a lack of access to a good scientific library, laboratory, and prototyping facility, etc.) into constructive conditions which are required for undertaking the construction of time vehicles or construction of any amongst my numerous inventions (these constructive conditions are described in item #K2 above). In the result, even if

someone would be able to give me any sum of money, it would NOT allow me to start doing what is my goal. Therefore, **money are NOT the assistance that I am appealing for**. The assistance that is needed depends exclusively on helping me to find myself in the situation when I myself would be able to help myself further. Means it boils down to the creation of appropriate conditions in which it would be possible to begin the building of Oscillatory Chamber, time vehicle, and other my inventions, or on contributing own effort towards appearing in people an awareness that creation of such conditions would work for their own good and for the good of entire our civilisation.

Part #L: Everyone who ignores my call for assistance, one day will be very sorry about this:

#L1. When each one of us is going to be sorry that has NOT provided his or her contribution towards accomplishing the technological immortality by the humanity:

Motto: "He who refuses to learn from own mistakes is doomed to repeat them."

Young people are NOT interested in the building of time vehicles, nor in the accomplishing immortality. This is because they believe that they are indestructible and that their life is going to last infinitively long. Only in an old age, when the life starts to come to a closure, many people begin to understand the value which would have the immortality. Unfortunately, at that period of life it is already too late to do anything about this.

So my reader, in order to avoid being very sorry in the future that you had an opportunity to help me but you did NOTHING in the matter of undertaking the construction of time vehicles and opening for yourself and for other people the path to immortality, try to begin your acting already now. After all, now you have opportunity to act and to help me.

Part #M: Summary, and the final information of this web page:

#M1. Summary of this web page:

The to-day television make us accustomed to the thinking that it is enough to sit comfortably on our back sides, while everything is going to be prepared and given to us on a silver plate. But real life repetitively reminds us the bitter truth, that others, of course, will be happy to rob us - if we let them, but almost never they prepare for us and give to us on a silver plate whatever we really need. This truth results from the action of so-called moral laws which state that **in our lives everything must be earned**. The requirement of earning everything relates also to the accomplishment of "immortality". In order this immortality NOT turns out to be our curse and hell, instead of being the source of our happiness, every person must earn it. At the time when the humanity will be already having time vehicles this earning of immortality will take the form of an "iron" respecting the requirement, that in order to be shifted back in time to years of one youth, it is necessary to earn previously the state of totaliztic nirvana. In turn in present times the humanity must earn the immortality through getting to understand, through accepting, and through disseminating amongst people the shocking truth that the path to the moral (and thus also happy) immortality does NOT lead through progress in medical sciences, but through recognising (instead of scoffing at) the theories and findings of Dr Jan Pajak and through actual building his time vehicles.

#M2. How with the web page named "skorowidz links.htm" one can find totaliztic descriptions of topics in which he is interested:

A whole array of topics equally interesting as these from the above web page, is also discussed from the angle that is unique to the philosophy of totalizm. All these related topics can be found and identified with the use of content index prepared especially to make easier finding these web pages and topics. The name "index" means a list of "key words" usually provided at the end of textbooks, which allows to find fast the description or the topic in which we are interested. My web pages also has such a content "index" - only that it is additionally supplied in green links which after "clicking" at them with a mouse immediately open the web page with the topic that interest the reader. This

content "index" is provided on the web page named [skorowidz links.htm](#). It can be called from the "organising" part of "Menu 1" of every totaliztic web page. I would recommend to look at it and to begin using it systematically - after all it brings closer hundreds of totaliztic topics which can be of interest to everyone.

#M3. Blogs of totalizm:

It is also worth to check periodically the blog of totalizm available under addresses [totalizm.wordpress.com](#) and [totalizm.blox.pl/html](#). (Notice that all these addresses hold the same blog with the same content of messages.) On this blog many matters discussed here are also explained with additional details written as new events unveil before our eyes.

#M4. Internet discussions on topics presented in this web page:

Motto: "Dismissals from jobs for views and beliefs, as well as refusals to grand a dole, in present times replaced former burning on stake, crucifixion, and throwing to lions. Still, judging from the hysteria escalated in the Internet because of views which I disseminate, many adversaries seem to be sorry that are unable to additionally burn me also on a stake."

For strange reasons - which I try to research and which are explained in item #L3 of the totaliztic web page [evolution.htm \(about the need for intentional fabrication by God of the body of evidence which supports the corner stones of atheistic views, e.g. "natural evolution" or the "big bang"\)](#), these anonymous discussions carried out on Internet discussion groups, in recent years transformed into verbal "matches". This shocking phenomenon of abusing and spitting instead of communicating and discussing, is lately so widely spread, that it is even discussed in newspapers - e.g. see the article "Excuse me, could we please be a bit more polite", from page B3 of the New Zealand newspaper [Weekend Herald](#), issue dated on Saturday, January 3, 2009. Participants of these verbal matches try to outdo each other in throwing mud and in spitting at every constructive idea. In spite of this, for the lack of other channels of gaining feedback regarding topics which I investigate, I still try to expose each topic researched to such Internet discussion. After all, between abuses and personal attacks, sometimes appear also single constructive voices in the discussion which contribute a new quality to a given topic. Therefore almost every topic of my research, including in this number also the topic of this web page, is discussed publicly in Internet at some stage. Typically the discussion is carried out simultaneously in two languages, i.e. English and Polish. The chronological list of links to all topics which already were subjected to discussion on Google discussion forums, is provided in item #E2 of the totaliztic web page [faq.htm](#).

(Please notice that links to discussion threads carried out in the Polish language on the same topics, are listed in the Polish equivalent of item #E2 presented in the Polish language version of the web page [faq.htm](#).)

If the reader have a constructive comment about any topic which I am discussing in Internet, then I would warmly encourage him to **voice his opinion in the discussion** and to also express it publicly. After all, such a public discussion - especially providing a positive and constructive feedback, is a manner of lifting the awareness of all readers, through pointing the attention of people at the significance of topics indicated here. In case of older topics, for which the Google discussion groups stopped to accept further opinions and voices, the reader can post me his or her opinion directly at my email address.

#M5. Emails to the author of this web page:

Current email addresses to the author of this web page, i.e. officially to [Dr Eng. Jan Pajak](#) while courteously to **Prof. Dr Eng. Jan Pajak**, at which readers can post possible comments, opinions, descriptions, or information which in their opinion I should learn, are provided on the web page named [pajak_jan_uk.htm](#) (for its version in the HTML language), or the web page named [pajak_jan_uk.pdf](#) (for the version of the web page "pajak_jan_uk.pdf" in safe PDF format - which safe PDF versions of further web pages by the author can also be downloaded via links from item #B1 of the web page named [text_11.htm](#)).

The author's right for the use of **courteous** title of "Professor" stems from the custom that "with professors is like with generals", namely **when someone is once a professor, than he or she courteously remains a professor forever**. In turn the author of this web page was a professor at 4 different universities, i.e. at 3 of them, from 1 September 1992 until 31 October 1998, as an "Associate Professor" from English-based educational system, while on one university as a (Full) "Professor" (since 1 March 2007 till 31 December 2007 - means at the last place of employment in his professional life).

However, please notice that because of my rather chronic lack of time, I **reluctantly reply to emails which contain JUST time consuming requests**, while simultaneously they document a complete ignorance of their author in the topic area which I am researching.

#M6. A copy of this web page is also disseminated as a brochure from series [11] in the safe format "PDF":

This web page is also available in the form of a brochure marked [11], which is prepared in "PDF" ("Portable Document Format") - currently considered to be the most safe amongst all internet formats, as normally viruses cannot cling to PDF. This clear brochure is ready both, for printing, as well as for reading from a computer screen. It also has all its [green links](#) still active. Thus, if it is read from the computer screen connected to internet, then after clicking onto these green links, the linked web pages and illustrations will open. Unfortunately, because the volume of it is around a double of the volume of web page which this brochure publishes, the memory limitations on a significant number of free servers which I use, do NOT allow to offer it from them (so if it does NOT download from this address, because it is NOT available on this server, then you should click onto any other address from [Menu 3](#), and then check whether in there it is available). In order to open this brochure (and/or download it to own computer), it suffices to either click on the following green link

[immortality.pdf](#)

or to open from any totaliztic web site the PDF file named as in the above green link.

If the reader wishes to check, whether some other totaliztic web page which he or she just is studying, is also available in the form of such PDF brochure, then should check whether it is listed amongst links from "part #B" of the web page named [text 11.htm](#). This is because links from there indicate all totaliztic web pages, which are already published as such brochures from series [11] in PDF format. I wish you a fruitful reading!

#M7. Copyrights © 2014 by Dr Jan Pajak:

Copyrights © 2014 by Dr Jan Pajak. All rights reserved. This web page is a report from outcomes of research of the author - only that is written in a popular language (so that it can be understood by readers with non-scientific orientation). Majority of ideas presented on this web page (and also in other publications by the author) are unique for the author's research, and thus from the same angle these ideas were NOT presented by any other researcher. As such, this web page presents a number of ideas which are the intellectual property of the author. Therefore, the content of this web page is the subject to the same laws of intellectual ownership as every other scientific publication. Especially the author reserves for himself the moral credit and copyrights for the scientific theories, discoveries and inventions mentioned or utilised on this web page. Therefore, the author reserves that during repeating any idea presented on this web page (i.e. any theory, principle, explanation, deduction, interpretation, device, evidence, proof, etc.), the repeating person revealed and confirmed who is the original author of this idea (means, as it is used in creative circles, the repeating person provided a full moral "credit" and recognition to the author of this web page), through a clear explanation that a given idea is repeated from the web page authorised by Dr Jan Pajak, through indication of the internet address of this web page under which this idea was originally explained, and through mentioning the

date of most recent update of this web page (i.e. the date indicated below).

* * *

If you prefer to read in Polish click on the flag below

(Jeśli preferujesz czytanie w języku polskim

kliknij na poniższą flagę)



Date of starting this page: 9 November 2008

Date of the most recent update of this page: 1 March 2014

(Check in "Menu 3" whether there is even a more recent update!)

at the end click on this counter of visits