

11 May 2013

Dr Eng. Jan Pająk

”Web pages of Jan Pająk - [day26.pdf](#)”

(i.e. a PDF brochure with the content of web page named [day26.htm](#) and entitled
”Secrets of deadly tsunamis: people can prevent them”)

Wellington, New Zealand, 2013,
ISBN 978-1-877458-69-9.

Copyright © 2013 by Dr Eng. Jan Pająk.

All rights reserved. No part of this brochure may be reproduced, stored in a database or retrieval system, transmitted, or distributed in any form or by any means, electronic, mechanical, photocopying, recording, or otherwise, without the prior written permission from the author or a person legally authorized to act on his behalf. From the obligation of getting such a written permission are only released those who would like to prepare a single copy of this monograph for their personal use oriented towards the increase of their knowledge and who fulfil the condition that they will not use the copy prepared for any professional purpose or for accomplishing material gains, and also that they copy the entire brochure - including the title page, all items, all illustrations, and all enclosures.

Date of the latest update of the web page presented in this brochure is provided above in the top-left corner. (Note that in case of having access to several copies of this brochure, it is recommended to read the copy which has the latest date of amendment.)

This PDF brochure publishes the text of the web page authored by Dr Eng. Jan Pająk, indicated in the title of it. In turn the author’s web pages are forms of fast reporting to the readers results of scientific research accomplished by the author of this brochure. The author is aware, that this research, and the results, are unique, as no-one in the entire world undertook earlier research of topics elaborated in this brochure. Therefore ideas which this brochure presents are the intellectual property of the author of this brochure. All ideas, theories, inventions, discoveries, explanations, descriptions, etc., published here, which have documentary or evidential value, are presented accordingly to standards applicable for scientific publications (reports). A special attention the author has given to the requirement of repetitiveness, i.e. that on the basis of this brochure any professional scientist or hobby investigator who would like to verify, repeat, or extend the author's research should be able to recreate his work and arrive at the same or very similar results and conclusions.

This brochure is another one from a series of similar brochures in PDF, offered free of charges to interested readers through the totaliztic web page named [text 11.htm](#) - which disseminates PDF versions of most significant and most widely read web pages by the author. The topic of this brochure is represented also in the newest [monograph \[1/5\]](#) with following editorial details:

Pająk J.: "Advanced Magnetic Devices",
Monograph, Wellington, New Zealand, 2007, 5th edition,
in 18 volumes, ISBN 978-1-877458-01-9.

Contact addresses to the author valid in 2013 – i.e. during the preparation of this brochure:

[Dr Eng. Jan Pająk](#)

P.O. Box 33250, Petone 5046, NEW ZEALAND

Email: janpajak@gmail.com

We all know that there is several effective ways of stopping someone who tries to bit us. The most primitive such way is to "oppose the force with force" - means we bit our opponent back so that he or she is going to be afraid of us. But this manner not always is possible - especially when the enemy is much stronger than us. Therefore, there is a more advanced way of preventing biting. It depends on removing the reasons for which someone persecutes us. In turn when the reason ceases to exist, we cease to get bitten. We all know that people make angry the "mother nature" lately, and she is biting us. For example, on 26th December 2004 just one tsunami from the Indian Ocean killed almost 300 000 people. In reply, our scientists try to "oppose the force with force". However, as we can see this from further tsunamis, this their strategy does NOT work. The "mother nature" becomes even more angry. So it is about the time we consider this more advanced way of tsunami prevention, through elimination of reasons for which people get bitten by nature. After all, this manner is hinted to us by information contained in every tsunami. This web page analyses such hints,

and then develops a method of preventing these future tsunamis which may kill, amongst others, us and all these whom we love the most.

Part #A: Introductory information of this web page:

#A1. What are goals of this web page:

This web page has a very simple goal. Namely, it tries to reveal these secrets of murderous tsunamis about which NO paid scientist would have a courage to speak openly, but which in reality define into whom, where, when, and how tsunamis hit. Due to this, the author hopes to create beginnings of the knowledge which in the future is able to prevent tsunamis.

This web page indicates also a very simple method of protecting the place where we live not only against tsunami and earthquakes, but also against all other murderous cataclysms. In order to extend such a protection over the area on which we live, it is enough that a group of ten colleagues from a school, good acquaintances, or even members of the same family, undertakes an aware and sincerely declared to God effort of a pedantic implementation in their lives of an iron principle, that "whatever they are going to do, they will do it exclusively according to recommendations of the highly moral [philosophy of totalizm](#)". In such a manner the group transforms itself into these at least "10 righteous" people required by [God](#) for stopping a cataclysm to be send to a given area - as this is explained in item #G2 of this web page, and also recommends the based on morality method of defence from cataclysms described in "part #I" of the web page named [quake.htm](#). My empirical checks described in item #I3 of this web page indicate, that the effect is striking and it is almost difficult to believe in our own eyes when one sees it and experiences it. It is really worth to have a try.

#A2. What inspired me to write this web page:

Although the stopping of a future tsunami may appear to be a task requiring "supernatural" powers, actually if the content of this web page convinces you,

then you will discover that it lies in powers of ordinary people, like you and me. As it turns out, future tsunamis can be stopped if a sufficient number of people learns their causes, become aware that every next tsunami actually confirms the truth of these causes, learned signs indicating their not-too-distant coming, and if these people join morally their efforts, thoughts, and feelings, to stop this cataclysm together. Therefore please read this web page. In turn if you find it convincing, please join our efforts to implement what this web page recommends. Especially, that implementing these recommendations have the ability to protect you individually - even if for various independent from you and higher reasons tsunamis still must come and destroy the community amongst which you live.

#A3. How my discovery from 2007, that UFOs and UFOonauts in fact are "advanced simulations", changes the interpretation of facts described on this web page:

When the first time I was preparing this web page in December 2004 (to publish it in January 2005), I still believed sincerely, that UFOonauts are cosmic relatives of humans, who practice the highly immoral philosophy of "evil parasitism", and that "black sheep" of human family intentionally cause all cataclysms, including tsunamis. But in 2007 I make a discovery, that UFOs and UFOonauts in fact are just "simulated" by God, to more efficiently accomplish His superior goals. However, that shocking discovery of 2007 does NOT change much in the interpretation of facts presented on this web page. After all, in the light of existing facts (presented on this web page) still is obvious, that tsunamis described here were caused by UFO vehicles. The only matter that changes, is the reply to the question **why UFOonauts induce these tsunamis and a number of other destructive cataclysms?** In turn, to allow the reader find the answer to this question, I suggest him or her to consider what morality and philosophy was practiced by the population living in areas affected by cataclysms described here, and then read about other similar cataclysms described e.g. in "part #H" from the web page named tapanui.htm, or e.g. in item #I3.1 from the web page named petone.htm. What is the most interesting, when we once find the answer to the above question "why?", then it turns out that we know also the reply to practically all other puzzling events that occur in the present world (even these ones which we see in today's television news, because they repetitively keep occurring also in present times).

Part #B: What is a "tsunami":

#B1. A scientific definition of "tsunami" as a "wanton element" unleashed because of the work of nature:

A scientific definition of "tsunami" states that **tsunami is a huge wave of sea water saturated with extremely destructive energy of undersea earthquake, the behaviour of which is ruled exclusively by laws of physics**. In other words, according to the present science, "tsunami" is a thoughtless, "wanton element" which hits, kills, and destroys in a completely random manner.

As a huge wave of water, tsunami is an extremely murderous "catastrophe". Its destructive force is increased because it carries various debris, pieces of wood, and sand, which blind, hurt, and pierce its victims, making impossible for them to swim and to survive.

Because the science explains the appearance of tsunamis as a "by-product" of random undersea earthquakes, the origins of which are ruled by laws of probability, according to the opinion of scientists the arrival of tsunami at the present level of our knowledge cannot be prevented nor defended from. The only thing that currently we can do, is to develop a technical system for warning people when the tsunami appears, allowing them to escape. Unfortunately, such a system, as all warning systems, always is going to have its drawbacks, thus at the time of emergency it may fail.

To summarise the above, because the official human science treats "tsunami" as a random kind of "wanton element" which obeys only "laws of mathematical probability" and "laws of physics", currently the science is NOT able to develop nor indicate ways of preventing eventuation of tsunamis nor indicate manner on which people could defend themselves against destructive action of it.

#B2. The totaliztic definition of "tsunami" as a "corrective intelligence" which only "simulates" a thoughtless, "wanton element":

The scientific **theory of everything** called the Concept of Dipolar Gravity defines "tsunami" in a completely different manner. According to its statements, all phenomena in our universe, including "tsunamis", have an intelligence. Thus, according to the dipolar gravity, "tsunamis" also have the ability to act intelligently. Thus for us, people, it only suffices to establish, for what purpose tsunamis utilise their intelligence. Then we can transform this knowledge into a principle of preventing tsunamis and into a principle of defending ourselves against their deadly attacks.

The confirmation for "intelligence" of tsunamis can be found relatively easy.

Independently from facts which I am going to describe in next parts of this web page, this confirmation is indicated in the very name "tsunami". After all, the [philosophy of totalizm](#) states, that in the physical world everything carries vital meaning, even names. The name "tsunami" originates from the Japanese language. It was formed through joining two words, namely: "tsu" = "harbour" and "nami" = "wave". In other words, "tsunami" = "wave in harbour". However, in this name we should be puzzled by its inner contradiction. The point is that a "harbour" is always build in such a manner that the boats anchored in it are protected from waves. So if a wave in spite of this still appears in a harbour, this wave must somehow cunningly get inside. In other words, the wave must be enough "intelligent" to be able to get to the harbour and cause destruction in there, in spite that the harbour is always protected by breakwaters which stop ordinary sea waves.

In the further part of this web page I am going to explain that "tsunami" manifests its "intelligence" through the correction of outcomes of people sliding down into claws of a highly immoral and destructive philosophy called [parasitism](#). (Principles of this correcting of consequences of parasitism are explained in item #B4 from the totaliztic web page [seismograph.htm](#).) In other words, the totaliztic definition of "tsunami" described in this item, states that **tsunami is a "corrective intelligence" which utilises sea water to spread death and destruction in order to repair consequences of sliding down of a given community into the deepest stage of the philosophy of parasitism.** Tsunamis are just a single kind amongst a whole array of intelligent "angry elements" of the "Acts of God" type, which are created especially to correct the "morality" of entire so-called "group intellects" described in items #B2 to #B4.4 of the web page [mozajski uk.htm](#) (i.e. to correct the morality of entire families, villages, towns, cities, islands, nations, countries, etc.). To other similarly intelligent such elements belong also, amongst others: [earthquakes](#), [tornadoes](#), [hurricanes](#), [landslips and mudslides](#), floods, fires, [wars](#), and a number of further listed in item #O1 below.

The defining of "tsunami" by totalizm as a "corrective intelligence" rapidly opens for us an opportunity which could NOT be able to be created by the scientific definition of tsunami as a "wanton element". After all, when we know that it is an intelligent "angry element", then we can determine reasons for which it appears, and then eliminate these reasons - so that the element is to disappear on its own. We can also find ways how to defend ourselves from it - e.g. through persuading it to leave us in peace. This is what further parts of this web page do. This is also why this web page is worth to read.

Part #C: Where "tsunamis" come from:

#C1. Let us cease this scientific "putting

heads into sand" and let us call the cause by its name:

Present scientists mastered to perfection the principle and skill of such defining and explaining all present tragedies, that this explanation neither makes anyone responsible for the destruction, nor indicates a manner on which this tragedy could be avoided. According to this scientific principle, tsunamis are random "by-products" of undersea earthquakes, in turn these "earthquakes" are consequences of natural, continuous, and purely physical (i.e. thoughtless) changes in configuration of the crust of our planet. Thus according to this scientific definition and explanation, supposedly "tsunami and earthquakes cannot be prevented, and we only can accept them" (means, apparently people should continue to die because of them). After all, in opinion of scientists, supposedly these events are unavoidable consequences of the work of nature. While we are aware of the existence of such scientific definition and explanation for tsunamis and earthquakes, we should also remember, that the official human science is continually forced to deny almost every of its previous claims. It is also worth to remember, that if scientists really knew everything, then our planet would NOT be in troubles which we can see currently around us - and which, amongst others, are fruiting with these tsunamis and earthquakes.

Fortunately for us, independently from the above official explanation of scientists for tsunamis and earthquakes, these phenomena are also explained in a completely different manner - on the basis of scientific **theory of everything** called the Concept of Dipolar Gravity. This explanation was developed with a chain of logical deductions based on empirical evidence, which are presented in items #B1 to #B7 of the totaliztic web page [seismograph.htm](#). It results from the empirical finding, that every earthquake and every tsunami contains in itself quite meaningful, repetitive, and shockingly "intelligent" attributes, for example: (1) **earthquakes and tsunamis always hit and destroy only these communities which practice the highly immoral and destructive philosophy called parasitism**, (2) they always are proceeded by symptoms which in advance warn people who know information provided on this web page that such a disaster is approaching and that people should take urgent action (these symptoms are described, amongst others, in item #B7 on the totaliztic web page [seismograph.htm](#)), (3) they always either can be prevented, or a given community can defend itself from destructive consequences of it - if only people of good will undertake morally motivated action (the manner of preventing of these cataclysms is described in item #B6 on the totaliztic web page [seismograph.htm](#), while it is illustrated on an actual example of the New Zealand settlement called "Petone" - in which I live, in items #I1 to #I3 from further part of this web page).

#C2. Why tsunamis are intentionally so

"simulated" as if they are formed by a superior technology:

If someone undertakes a thorough analysis of tsunami attributes, or attributes of any other murderous element (e.g. fire, flood, etc.), then without difficulty discovers that these attributes have a highly intelligent character. For example, tsunamis destroy houses but leave untouched religious objects - such as churches, mosques, Buddhist temples, crosses, etc. - for details see item #B2 on the web page [seismograph.htm](#). In selecting these people who are to be killed, tsunamis clearly use morality as the criterion - e.g. if a tsunami is to hit two people clinging to the same tree but having completely different levels of morality, then is to die the one who acts immorally, while survives the one with the high morality. Tsunamis destroy only these areas, citizens of which already slipped down to the level of so-called "agonal intellect" in their practicing the [philosophy of parasitism](#). Tsunamis have their favourite days in which they hit - see also item #B2 on the web page [seismograph.htm](#). During tsunamis water behaves like a living creature or like an "angel of death" which seeks, chases, and kills previously selected victims.

Unfortunately, not every inhabitant of the Earth is ready to accept the truth about origins of these intelligent attributes of tsunamis. Therefore tsunamis, and also almost every other "Act of God", independently from **(1)** its actual origins from this morally "corrective intelligence", is additionally so "simulated" as if it originates from further sources. Namely, for the use of scientists and atheists of all kinds, it is "simulated" as if it was **(2)** a thoughtless, "wanton element" that results from the work of nature. In turn for the use of these people, who already noticed the intelligent characteristics of tsunamis, but still are NOT ready for accepting the truth about the true origins of this cataclysm, tsunamis are so "simulated" as if they were **(3)** secretly formed by some superior technology. More information about reasons and mechanism of this at least three-level "simulation" of tsunamis and "simulation" of all other "evidence" (in this catastrophes), is presented in items #C1 to #C5 of the separate web page named [prawda uk.htm](#).

In order to simultaneously provide people with 3 above (completely different) explanations for its origins, every tsunami, as well as practically every other catastrophe, is so skilfully controlled, that it provides parallel evidence which is able to document at the same time each one amongst above 3 mechanisms of its formation. In other words, this morally "correcting intelligence" which controls tsunamis and controls all other catastrophes, does NOT form these cataclysms in a random manner which we could expect from accidental, thoughtless, "wanton elements". Opposite, it forms these into a particularly clever way which provides "evidence" simultaneously for as many as at least three different groups of researchers - each one amongst these groups trying to prove that a given tsunami or a given cataclysm originates from the causes believed by this group. In other words, this morally "correcting intelligence" forms tsunamis and other catastrophes in such a way, that they contain at least three parallel categories of evidence. The first **(1)** such a category, is evidence which reassures beliefs of

these researchers, who already are mature enough to accept the true origins of tsunamis and other catastrophes from this morally "correcting intelligence". In turn the second (2) category of evidence also contained in all "Acts of God", is such a "simulation" of these elements that they simultaneously provide another group of researchers with evidence for a more primitive character of these catastrophes, namely that they are only thoughtless "wanton elements". This second category of evidence is always so skilfully "simulated" that it hits eyes of every, even the most superficial, blind, and careless researcher. The third (3) and already slightly more refined and subtle category of evidence, which still is to deceive even these more inquisitive researchers, is such formation of these catastrophes that simultaneously with previous evidence they also provide yet another group of researchers parallel evidence that these catastrophes are secretly caused by UFOs. (But this evidence is so formed, that it causes also an impression, as if by a cunning and evil UFO-nauts it was so "disguised" to look as if the cause are thoughtless "wanton elements".) Examples of catastrophes other than tsunamis, which also are so cleverly "simulated" as if secretly they are caused by UFO vehicles, are described e.g. on the web page [tornado.htm](#) or on the web page [katrina.htm](#).) It is because of this third group of evidence, that every tsunami, which someone researches sufficiently thoroughly - as this is illustrated in "part #D" of this web page, looks as if was secretly caused by a "technological explosion of a UFO vehicle" which by the superior although evil intelligence of UFO-nauts was only intentionally so "disguised" as to look at a thoughtless "wanton element".

#C3. A related web page named [seismograph.htm](#) discusses the subject-area of earthquakes which, amongst others, induce tsunamis described here:

These readers, who become interested in content of this web page, I would like to invite also to review a related web page named [seismograph.htm](#). That related web page discusses the subject area of earthquakes, which - as we know, with the cause-effect chain physically induce tsunamis. For this reason, that web page [seismograph.htm](#) extends and additionally complements many topics discussed also here on this web page.

Part #D: The worst tsunami of present times, means the disaster of 26th

December 2004 from Sumatra:

#D1. My research on tsunami of 26th December 2004 - means a coincident or an intelligent act of fate:

In item #C1 of the totaliztic web page [immortality.htm](#) is explained that our lives are pre-programmed in advance in so-called "programs of life and fate". (This is why our lives can be e.g. shifted back with the use of [time vehicles](#), then again re-lived infinite number of times, thus giving to people a possibility of accomplishing technical immortality.) One amongst life situations when this pre-programming of my life was clearly revealed, was when by this "program of fate" I was forced to undertake research of the tsunami described in this part of the web page.

This supposedly "coincidental" forcing me by the fate to undertake the research on tsunamis, and in the result also to derive conclusions described on this web page, started when near the end of 2004 I purchased an airline ticket for my vacation in Malaysia. My vacation started just after Christmas. In this way, supposedly by a "coincident" I rapidly found myself in the centre of the area affected by that tsunami. Local newspapers got filled with reports and descriptions of this cataclysm. In turn I started to study these reports - thus directing my attention to facts described on this web page. Soon I noticed the high "intelligence" in actions of this supposedly thoughtless "wanton element". Only that later three further years needed to pass, before in 2007 I discovered scientifically where this "intelligence of tsunamis" comes from. (Initially I also was misled by this "simulation" of the tsunami as if it was caused by a "technical explosion of a UFO vehicle" - for more details see items #J1 to #N2 from further parts of this web page.)

This supposedly "coincidental" finding myself in the centre of the area destroyed by the tsunami discussed here, initiated many years long research of cataclysms, outcomes of which presents not only this web page, but also numerous other web pages about cataclysms of the morally "correcting intelligence" and about preventing them. In further items from this "part #D" which are to follow, I am going to describe most vital facts which immediately after that tsunami of 26 December 2004 I managed to gather about it from local publications that presented reports and recollection of eye witnesses and victims.

#D2. What [course](#) had this tsunami of 26th December 2004 from the Indian Ocean:

As all most probably still well remember this, on Sunday of 26th December 2004, means during the second day of Christmas - in English named the "Boxing Day", at 8 am of the local time, occurred the first "initiating" stage of the tsunami described here. It was then that a series of 9 powerful shocks of Earth, took place to the west from the Island of Sumatra on the Indian Ocean. This powerful earthquake was measured as having 9.0 on the Richter's scale. It was the biggest earthquake on our planet since 1964. The energy released during these 9 shocks, propagated along the Indian Ocean, causing catastrophic tsunami on the surrounding coasts. As it turned out later, this energy travelled with two different speeds, namely as the carrier of 9 "primary waves of tsunami" that expanded (in my estimate as magnetic disturbances) with the huge velocity estimated at around 800 kilometres per hour, and also as a carrier of a second series of a slightly smaller 9 "secondary waves of tsunami" which expanded (in my estimate as hydraulic vibratory disturbances of ocean waters), with the speed estimated at around 160 kilometres per hour. (Some eye witnesses are also claiming, that there was a third series of small shocks, that travelled with a very small velocity of only several kilometres per hour. In my estimate this third series propagated in the form of mechanical vibrations of the ground under the sea bed. Because of the existence of this third series, Malays claim that the tsunami had a form of passing of "three brothers of destruction". However, so-far I have not met any official confirmation that this third series of waves actually did exist.) After arriving to nearest coasts, the energy of these two main carriers of energy converted into two series of water tsunami. In each one from these two series there were 9 waves of water. They hit coasts, crushing and wiping out everything that stood on their path. The interesting aspect of these waves was, that 8 out of them were rather small and they did not cause a lot of damage. But one of them, located somewhere in the middle, was this destructive wave, around 8 times more powerful and larger from others. It was this one that crushed and killed everything on its path. Before these waves hit the coasts with an enormous fury, firstly the ocean water was suck back to the sea, rapidly uncovering enormously wide strip of beach, on the bottom of which shocked fish was jumping, rapidly left by water that withdrawn dangerously from the enlarged beach. These unwise witnesses, who run on the uncovered bottom of sea, to collect these jumping fish, become first victims of the powerful waves, which a short while later hit the coast. Countries most affected by the fury of these waves turned out to be Indonesia, Sri Lanka, and Thailand. However, waves of this tsunami destroyed completely coasts of many more countries, including into this even countries from Africa, e.g. Somalia and Kenya. In total, on 5 January 2005 - means at the time of preparing my first description of this tsunami, the official number of human victims of both these series of tsunami waves was stated as around 150 thousands of people. Then this number was continually increased. For example, when I again updated my descriptions on 17 January 2005, it was already given as reaching around 200 000 human victims, out of which number only in Indonesia died around 168 000 people. In turn the Malaysian newspaper "[The Sun](#)", issue dated on 21 January 2005, on page 9, wrote that the number of victims was then around 220 000. The evening TV news broadcasted on 25 January 2005 stated this number as equal to 281 705 victims (out of which 72 people died in Malaysia).

#D3. Most extraordinary attributes of the tsunami of 26 December 2004, the occurrence of which shocked me during my research of this catastrophe:

As I already mentioned this, in time shortly after that tsunami, I was on vacation in Malaysia. In turn as we know, the northern end of Malaysia, means the border between Malaysia and Thailand, especially the Malaysian island of Penang, was also hit by the tail end of this tsunami. So I could read about the destruction directly from the local press. Furthermore, I frequently talked with locals. After all, some of them participated in person in this tragic event. Out of the descriptions that I learned then, especially I was interested in several items. Here are the most important out of these.

(1) Earthquake after water waves. Tsunami from the Indian Ocean had quite an interesting attribute. Namely the **waves of water preceded in it the waves of earthquake**. Expressing this in another words, firstly the coasts of the Indian Ocean were flooded with waves of water, and only then they were shaken by waves of earthquake that arrived slightly later. In the result, this tsunami did NOT produce any phenomena that would warn the future victims that a cataclysm is just approaching.

(2) Angry water. Water from tsunami waves that hit the coasts, was NOT at all the enlarged version of ordinary sea waves that continually arrive to sea coasts. This is because normally sea waves that hit coasts are formed from transparent sea water of the same color as sea has in a given day. In turn water from tsunami waves was described by eye witnesses as "black and muddy", and also as "angry". These people who were hit by it, but somehow survived, describe it as literally **water of that tsunami boiled in a manner similar to water boiling in a kettle, only that it was not hot**. It also carried within itself a huge amount of sand, mud, and various debris mixed with rubbish. These who were hit by it, while still at a beach, were completely blinded by sand and mud, and did not know in which direction is the shore, while in which direction is the sea. Sand, mud, debris and rubbish got to their eyes and disallowed them to see. In turn when this water started to flow through the land, it turned out into a kind of "boiling" black mud, full of wooden beams, planks, various debris, bricks, stones, soil, pieces of metal, and everything that this water met on its path. People were unable to swim in it. In turn these ones who were hit by it, were pierced by debris, cut into pieces, and dismantled. So survived mainly these ones, who were sheltered from it by a hard shell of some sort.

(3) The surprise of animals. This time animals did NOT sensed the incoming tsunami, until around 5 minutes before this tsunami hit the coasts. (Normally animals are able to sense the approaching tsunami many hours, and frequently even many days, before it approaches the ground.) It was observed, that this time animals started to run only around 5 minutes before the first waves

of tsunami hit the ground. Most probably these animals were only scared by the wave of magnetic disturbances which arrived to them from the simulated UFO explosion, and which on the coast was just starting to build up the first waves of water that hit the ground several minutes later. However, in spite that animals started to escape so late, they were more effective from people in their escape. In the result, victims of tsunami were mainly people, while corpses of dead animals were found extremely rarely. This reminds me a folk wisdom of old miners, who used to state in past about accidents in mines, that **"if you see escaping rats, always escape with them wherever they run - as rats always know the best, how to save themselves"**.

(4) A strange "tide out". Just before the first waves of tsunami hit the ground, sea water firstly silently and majestically withdrawn itself deeply into the beach, as if in the result of an extremely low "tide". Only several minutes later it returned back and hit coasts with an enormous roar and fury. During this rapid withdrawal from the beach, water left on the enormously extended beach numerous large jumping fish. (Typically, the withdrawing water takes fish with itself, or more strictly fish follows the withdrawing water.) It looked almost like these fish experienced a shock from a curtain of magnetic disturbances which rapidly hit them and which arrived because of the simulation of exploding propulsors of a UFO. So these fishes were completely stun by these magnetic disturbances, they lost their orientation, and did not follow the withdrawing water. Just before the tsunami hit the coast several situations took even place, that in some places people run onto this non-typically extended beach, to collect huge fish that were jumping on the sand. But these people had no time to return with this fish to the solid ground. Soon afterwards they were drowned by the huge mountain of "boiling" water mixed with sand that fell onto them. This "angry" water blinded their eyes and made them unable to swim.

(5) Anonymous Samaritan. One more extraordinary event of this tsunami dated 26th December 2004, were warnings of an "anonymous European". These were described in the article "The unknown hero" published on page 5 from the Malaysian newspaper "[New Straits Times](#)" dated on 31 December 2004. Around an hour before the tsunami hit the beach named "Teluk Bahang" on the Malaysian island of Penang, along this beach a man looking like an European aged around 50 to 60 years was running. With a loud and full of terror voice he yelled in the Malay language "Keluar! keluar!" (what means "Get out! Get out!"). Something in his voice, run, or behaviour was so terrifying, that it scared children who make their parents to escape from the beach. So in spite that nothing indicated why these people supposed to get out, around 200 people listened to his yell and climber the steep cliff that run along the border of this beach. Then from the safety of the road which passes along this cliff, they observed the further development of events. As it later turned out, all of them own their surviving to this anonymous man. However, several people ignored his warnings and remained on the beach or in the water. All these died. Apart from yelling of this man, initially nothing else indicated that tsunami is approaching. It was a beautiful day without any breeze. Sea was calm and beautiful. It never was established who this man was. For me in his warnings several matters are unclear. For example, why he was so similar to UFO-nauts from the so-called "Nordic race"? How he knew that the murderous tsunami is approaching, when no other signs

indicated yet what is brewing up? How comes that he know the Malay language? (After all, only a few Europeans ever learns this language.) Why he squashed in himself the very human temptation to enjoy the fame and the thankfulness of these ones whom he saved? After all, in spite that people saved by him intensely sought him, he never revealed who he was? It is extremely difficult for me to imagine, that amongst these simulations of "diabolic UFOonauts" who are "simulated" as if they are just killing our entire civilization, who without a blinking even a single eye murdered with this tsunami around 300 000 people, and who in next catastrophes are "simulated" as if they murdered millions of next victims, was simulated even a single UFOonaut who still supposedly has a conscience and a moral behaviour. But in the above matter I have no other option but to consider such a possibility. The "anonymous UFOonaut", please accept my words of the deepest respect!

(6) "Ghosts" of Europeans. In Malaysian press, many reports appeared soon after this tsunami, about people seeing "ghosts" that looked as if they inspected areas where this tsunami has hit. These strange "ghosts" were sighted and reported not only in Malaysia, but practically in all counties hit by the tsunami. Probably it would not be anything unusual in seeing "ghosts" in areas where hundreds of thousands of people met a rapid death shortly before. But the problem is that these "ghosts" were described not as local "Asians", but as Europeans of typically "Scandinavian" appearance, who, however, displayed a non-typical ability for a rapid disappearance from the view, or for passing through closed doors or walls. Of course, the question which immediately arrives to my mind, is "why on the area where died mainly people of the Asian appearance, "ghosts" were seen which displayed only European appearance. Before someone invents a justification for this fact that is based on deaths of Scandinavian tourists, it is worth to consider how locals from the area of destruction would describe simulations of UFOonauts who flown over there in order to inspect effects of the tsunami that they caused shortly before. After all, many simulations of UFOonauts also belong to the so-called "Nordic race", looking like Scandinavian tourists. Furthermore, they have the ability to rapidly disappear from the view, to walk through doors and walls, etc. It is worth to add, that these sightings of "ghosts" reached so large intensity in areas destroyed by tsunami, that they caused even a kind of "ghost hysteria". Local people started to be afraid over there to go in evenings or at nights to the beach or at the area destroyed by this tsunami. (A best article on the subject of these "ghosts" I read in the Malaysian newspaper ["The Malay Mail"](#) dated on 18th January 2005. However, apart from written articles, in Malaysia people used to also talk a lot on the subject of this European "ghosts".) Very interesting in this entire matter of ghosts is also that soon after I placed this web page in the internet, rapidly in countries which these "ghosts" were ravaging, local authorities started to call for stopping these talks and these writings about ghosts, because supposedly "this scares overseas tourists". (Interesting why these authorities would not forbid "ghosts" to inspect areas destroyed by tsunami, instead of shutting up people's mouths and requesting not to talk nor write about these ghosts?) An article about this request not to talk nor write about ghosts was published under the title 'No ghosts please - you're scaring tourists', on page 11 of the free edition of Malaysian newspaper ["The Sun"](#) dated on Friday, 28 January 2005. I am personally puzzled by the

logic behind this request. In my opinion, if there is a tourist who is brave enough to fly to the area where not long ago a powerful tsunami stroke, and where according to statements of scientists at any time another powerful earthquake and tsunami could be expected, if this tourist is not scared that these areas are endangered with various illnesses and that there still bodies are being found, then how such a brave tourist can be scared by talks about ghosts? In my opinion such talks can only make him/her interested much more in a given place! (At least this was the case with myself!) So all this forbidding to talk about ghosts, makes no sense from the tourists point of view. But it makes a perfect sense from the point of view of simulations of UFO-nauts not wanting the world know that they inspect the area of destruction they caused.

(7) Survival of churches, mosques, and Buddhist temples. Tsunami destroyed the majority of buildings in the area flooded with the waves. But shockingly, all Muslim mosques, all Christian churches, and all Buddhist temples that stood in the area of destruction, come out undamaged from this disaster. In the result, when in TV the information about withstanding of these churches, mosques, and Buddhist temples was shown, the picture that emerged was astonishing. This is because there were shown areas completely destroyed, where for tens of kilometres only grey and deprived of greenery fields were left from human settlements and buildings, which looked like rubbish dumps, means were deeply covered with blackened beams, rubbles, splinters, rubbish, and mud. But in the centre of this grim dark picture of destruction, every now and again, a bright, clean, untouched by the devastation church, mosque or temple had stood. It looked as if God let know to all people, that whatever diabolic force is doing this destruction, it is unable to harm of whatever remains under His protection. Furthermore, in this withstanding from the destruction of churches, mosques and temples, in my opinion a clear message from God is contained, which states approximately something along the lines: **"people, do not turn one against another because of religions that you practice, as for me it is vital how morally you live, not under what name you are praying to me"**.

#D4. Which items of evidence confirm, that the course of tsunami of 26th December 2004 was additionally so "simulated" as if it was caused technologically by a UFO explosion:

As I already mentioned this in item #C2, the tsunami of 26th December 2004 displays the presence of a number of attributes, which were so intelligently simulated into three different levels of simulation, that these directly imply three different origins of this catastrophe. Namely, independently of the "true origins" of this catastrophe - which is to be explained in further parts of this web page, one

"level of simulation" of that tsunami shows it as a kind of "stupid element" enraged by the work of nature. In turn the other "level of simulation" of the same tsunami suggests, that it was NOT caused "naturally" by the "mother Earth", but it was induced technologically through the underground (or more strictly, under the sea bottom) explosion of a UFO vehicle type K3. These attributes which are simulating a UFO explosion, are to be discussed one-by-one in next items #D5 to #D8 of this web page. But in order to indicate already here some examples of these, these include, amongst others:

(Item #D5 below): the fact, that this particular tsunami was composed of exactly the same number (i.e. 9th) of water waves attacking the coast, as the number of propulsors that can explode in a UFO type K3. Furthermore, similarly as the eight side propulsors of a UFO type K3 is loaded with the same amount of magnetic energy, while a single main propulsor is loaded with the 8 times larger amount of magnetic energy, also 8 waves of water that attacked the coasts during that particular tsunami were relatively small and of a similar size, while one wave contained somewhere between them was around 8 times larger and it was this wave that caused all the damage.

(Item #D6 below): the fact, that the energy of this particular tsunami was carried out by two different carriers, namely by (a) a very fast (if not moving instantly) wave of magnetic disturbances, and (b) by much slower wave of hydraulic vibrations. It is also worth to notice, that during other typical tsunamis, energy of the earthquakes that cause them is carried out exclusively by hydraulic means.

(Item #D8 below): the fact, that the tsunami took place in a day supposedly especially favoured by UFOnavts, means on 26th (i.e. on 13 + 13). Etc., etc.

* * *

Independently from the mentioned above main items of evidence, which implies that this particular tsunami was induced technically by exploding a UFO, and thus which is discussed in separate items from the further part of this web page, there is also a wealth of additional observations and evidence, which point out at exactly the same fact. These additional items of evidence indicating the supposed involvement of UFOs in causing this tsunami, are so numerous that I run out of time, processing capabilities, and space, to document them comprehensively on this web page. So just in order to indicate what type these additional items of evidence are, below I am going to provide brief descriptions of the most representative out of them.

(1) Resonating fish. In several Malaysian newspapers photographs of sea shores (beaches) were shown. These photos were taken several days later in areas hit by the tsunami. On these photographs I was astonished to notice that in the area where a strip of rubbish normally left by sea waves lies along a beach, this time lied a wide strip of massive numbers of dead fish. The largest number of photographs of these dead fish was shown in a special attachment "Focus" to the Sunday edition of the Malaysian newspaper "[New Sunday Times](#)" dated on 9 January 2005 (e.g. see there pages 1 and 2). It would not be anything strange in the fact that after such a devastating event several dead fish is spread along a beach. After all, wherever elements get furious, there must also be accidents, while fish is not immune from becoming victims. However, it is already strange that such massive numbers of fish were dead. After all, even boats that floated in

the sea were unaffected by tsunami waves passing under them. So similarly should be with fish - the hydraulic wave of tsunami should pass around them without doing any harm. By the way, such lack of destruction inside of water was confirmed by research - see the article "Minimal damage to west coast reefs" which appeared on page 16 of the Malaysian issue of newspaper "[New Straits Times](#)" dated on Tuesday, 8 February 2005. But even more strange than the massive numbers of dead fish, is that this time something wrong was with this fish. On various photographs all these fish were of the same size, which on the basis of comparison to size of people I estimate at around 1 kilogram (i.e. at the size of a typical Christmas carp from [Milicz](#)). In spite of long searches I was able to find on these photographs only one fish of a different size (i.e. much larger). But this one larger dead fish fits within statistical boundaries of falling a victim of an accident, e.g. being pierced by tsunami with sharp debris. So how strange these "accidents" needed to be that they killed only fish of the same size - and in such huge numbers. I am ready to bet, that all these fish died from the same cause, which was not the tsunami itself. Their identical size immediately suggests only one possibility, namely that they died in the result of internal injuries caused by their bodies resonating with high energy vibrations of some sort that had exactly defined frequency. These vibrations needed to be propagated in sea waters simultaneously with the tsunami. We know that magnetic field generated by UFO propulsors oscillates with the frequency of around 2500 Hz. (The description of a manner in which this frequency of a UFO field was determined, is provided in subsection N5.1.1 from volume 11 of my newest [monograph \[1/5\]](#).) So all signs indicate, that at the time of this simulation of a UFO type K3 explosion, which supposed to cause that tsunami, into the sea water was also emitted a powerful beam of high energy vibrations which caused the death of all fish the bodies of which resonated with these vibrations. However, what I am shocked the most in all this, is that practically no-one was puzzled by the fact of this identical size of all dead fish, nor by the enormous numbers of it, and that no-one researched reasons why this fish died in such massive numbers. This shows how uninquisitive and just on surface is research carried out by professional (paid) scientists.

To the above I should add, that when in television from New Zealand I watched reports from tsunami in Samoa (described in item #F2 below), also I was astonished by a significant number of fish of sizes similar to each other, which dead lied over there on the sea shore. Only that in Samoa all these dead fishes were several times larger than fishes killed during the tsunami from the Indian Ocean that is discussed here.

(2) Cumulative earthquake? There is a special shape of explosive charges, which is used in military technology. It is named a "cumulative explosive charge". It is shaped like a mirror in a torch, so that after being exploded it channels the shockwaves mainly into one direction. Thus it is used basically to destroy armours, e.g. in tanks. Well, shocking as it may sound, the attribute of the tsunami of 26th December 2004 was that it produced a destruction which was shaped exactly like the destruction caused by such a cumulative explosive charge. A quite accurate description of this extraordinary (because "cumulative") destruction, is contained in the article entitled "Physics explains variance in waves" that was published on page 42 of the Malaysian newspaper "[Sunday](#)

Star" dated on 9 January 2005. According to this description, areas which were mainly affected by the tsunami, were located to the north, and also east and west from the epicentre. In turn small islands Diego Garcia and Mauritius, located approximately to south from the epicentre (or to the east from Madagascar), practically were left almost untouched by this tsunami. Furthermore, tsunami waves were displaying variations, depending on their location in relationship to the epicentre, means exactly as this happens with shockwaves from a "cumulative explosive charge". Of course, if the tsunami discussed here supposed to be caused by the "mother nature", then such a cumulative distribution of shockwaves would be rather extraordinary. After all, earth does not shake like a cumulative explosive charge. But if this tsunami was "simulated" as if caused by the explosion of propulsors from a UFO type K3, then it must have just such a cumulative character. This is because propulsors in a UFO are purposely arranged into a shape of a mirror from torch. Therefore also all previous UFO explosions described in item #N2 of this web page, i.e. Tapanui and Tunguska, had in fact such a cumulative character. (More on the subject of cumulative character of UFO explosions is explained in subsections C2, G4 and in chapter I of monograph [5/3e].)

(3) Hissing noise. Many eye witnesses of the simulated UFO explosion from Tunguska in Central Siberia (described in item #N2 below) emphasized in their reports, that simultaneously with the first flash of the explosion from disintegrating UFO vehicle, they heard also a very loud hissing noise. (Only a moment after that hissing they heard a first, magnetic series of 21 explosions.) Well, the shocking fact about the tsunami from Sumatra was that the eye witnesses also heard a similar hissing noise. Immediately after this hissing sea water started to "boil" producing bubbles and froth. Here is the description of this noise reported by one of eye witnesses and published in the article entitled "Waves like 'possessed beasts'" which appeared on page 17 of the New Zealand newspaper "Otago Daily Times" issue dated on 29 December 2004, quote: "*Thazangude, India: Seconds before the first wave struck the fishermen from behind, the air turned to mist and they heard a loud hissing noise, as if the sea had become a savage animal. ... the calm waters had started to froth and bubble, and it seemed as if a wintry fog was rolling in. "There was a ghastly 'ssssssssss' sound," Mr Arul recalled on Monday. "I hadn't seen or heard anything like this before." ...*" It is worth to add to the above, that - as this is illustrated with photographs from the web page UFO-clouds, vibrations of magnetic field from a UFO (or from a UFO explosion) are able to cause a rapid formation of fog due to a resonance with the own frequency of particles of water contained in the air.

(4) Unusually powerful auroras. When in 1908 the simulated UFO explosion in Tunguska, Central Siberia, took place, one of consequences were strangely powerful auroras (or "polar lights") that appeared then at both poles of Earth. For example, the reflection of these auroras was so powerful in England, that it made possible reading newspapers at midnights. Well, the extraordinary attribute of the tsunami discussed here was, that it also caused a non-typically intense polar auroras. I remember that in evening on 27th or 28th December 2004, New Zealand TV news contained an information about an abnormally powerful polar aurora that was then observed as high as almost the city of Dunedin on the South Island of New Zealand. In turn evening TV news from a

next day broadcasted an information that powerful polar auroras were observed in England in places which normally do not allow to see these luminescent phenomena. During watching this information I was unaware of the connection of it with the simulated UFO explosion near Sumatra (i.e. I did not comprehend then yet, that the tsunami discussed here was so simulated as if was caused technologically by explosion of a UFO vehicle). So I did not write down the exact details of these two news items. In turn when in the middle of February 2005 I returned to New Zealand from vacation in Malaysia, it was too late to find any written information on the subject of these especially powerful polar auroras that took place on Earth during nights following 26th December 2004. However, because of the evidential value of these polar lights, I would like to appeal here to readers to inform me about written publications on this subject - if by any chance they come across such publications.

(5) The disappearance of life in the crater at the bottom of ocean.

Exactly in the former epicentre of the earthquake which caused the tsunami of 26 December 2004, 4 km under water there is a 1000-metre crater (chasm), like a one left after a UFO explosion. This crater is similar to the so-called "[Tapanui crater](#)" which also has around 1000 metres in diameter, and which exists in New Zealand (the Tapanui crater is also described on a separate web page about [New Zealand](#)). Only that this underwater crater is located on a slope of much steeper cliff. Five months after the strike of tsunami described here, scientists directed a remotely controlled submarine to this crater. What was discovered in it, shocked everyone. The outcomes of their investigations are described in a small article entitled "Tsunami creates dead zone", which appeared in the New Zealand newspaper "[The Dominion Post](#)", issue dated on Friday, 16 December 2005, page B5. These outcomes were also presented then on the web page theage.com.au/news/world/tsunamis-mystery-of-the-deep/2005/12/13/1134236064117.html#. Namely, it turned out that at that time water over there was still "muddy". Furthermore, in spite of the location near the Earth's equator, the temperature of water in there was only 4 degrees Celsius. In turn, in this muddy water all life ceased to exist. Explaining this in other words, 5 months after the tsunami, in the very epicentre of the earthquake which caused it, still until then a huge zone dis exist which was deprived of any trace of life. However, if the tsunami had a natural origin, than life should return to the crater in the epicentre, after such a long time. On the other hand, if this crater was simulated as formed in the result of explosion of a telekinetic UFO, then water and sediments must be strongly telekinetised. In turn such telekinetised substances obtain an attribute called the "**super-slipperiness**". (This attribute is described in subsection H8.1 from volume 4 of my newest [monograph \[1/5\]](#).) This "super-slipperiness" on one hand makes impossible "sediments" dissolved in the water to settle down - this explains why water was then still muddy. On the other hand, it disallows the holding of gasses (oxygen) dissolved in it - this makes it unable to support life. Furthermore, the phenomenon of natural [telekinesis](#), which still takes place in this telekinetised water, causes the decrease of temperature. This in turn explains, why in spite of location in tropics, the water there was equally cold like water from the ocean just near Antarctic. Therefore, the fact of the existence of this "dead zone" in the former epicentre of the earthquake, is another evidence that the tsunami was simulated precisely as if

caused through the purposeful exploding of a (telekinetic) UFO vehicle.

While reading the above descriptions of further items of evidence, we need to remember that these are only complementary to the undeniable facts documented in items #D5 to #K2 below. These undeniable facts conclusively confirm one rather extraordinary truth. Namely, that the murderous tsunami of 26th December 2004, was for sure purposely simulated in such a manner as if it was caused intentionally by morally degenerated relatives of humanity, who exploded their UFO vehicle type K3 at the bottom of the ocean. In turn this extraordinary truth has for us such a meaning, that the tsunami was not "one off" or the last one, but a first in a whole series of tsunamis that this creatures simulates as our morally rotten relatives, supposedly planed to dish out to the humanity.



Fig. #D4 (P1 in [1/5]): Here is a photograph of a smallest UFO vehicle, the explosion of which was simulated on 26 December 2004 as a cause for the murderous tsunami from Sumatra. (Click on this photo to see it enlarged.)

This smallest UFO vehicle is named K3 type - it is shown also in [1/5] as Figure P1. (The name "K3" for it originates from the fact, that the "flattening coefficient" marked "K" and defined as the ratio of the outer diameter "D" to the

height "H", $K = D/H$, for this special vehicle is equal to $K = 4.38/1.46 = 3$.) All the simulation of UFO vehicles are carried out in such a manner, that the powers and technical capabilities of UFO vehicles are used to harm people. For example, it was just such a UFO vehicle of K3 type, identical to the one shown on the above photograph, that was exploded on 26th December 2004, in order to cause the murderous tsunami from the Indian Ocean. About the fact that it was the simulated explosion of just such a UFO vehicle which caused this tragic tsunami, certifies a number of attributes listed and explained on this web page. An example of these attributes can be the fact, that this particular tsunami was composed of 9 waves, means of the number of waves which corresponds exactly to the number of 9 propulsors loaded with magnetic energy that are assembled inside of such K3 type UFO. More information, as well as more photographs of subsequent types of UFOs, are provided in volume 15 of my newest [monograph \[1/5\]](#).

* * *

(**Notice** that you can see the **enlargement** of each illustration from this web site, simply by **clicking** on this illustration. Most of the Internet browsers that you may use, allow also to **download** each illustration to your own computer, and then look at it, reduce or enlarge the size of it, or print it, with your own graphical software.)

#D5. Why the fact, that the tsunami of 26th December 2004 was composed out of 9 waves confirms that it was "simulated" as if caused by an underground explosion of a UFO type K3?

The fatal tsunami of 26 December 2004 was composed out of 9 separate waves which hit shores in a sequence. In turn these 9 waves correspond to 9 propulsors that are contained in each UFO type K3. Every such a propulsor typically is heavily loaded with magnetic energy equivalent to around 1 megaton of TNT. Thus, in case such propulsors are intentionally exploded underground, they cause a destructive earthquake or tsunami. Explaining this in other words, in order to cause technically a catastrophe of the magnitude described here, it sufficed to explode underground one UFO type K3. For this, a UFO vehicle would need to be flown deeply underground. But this is no problem, as UFO vehicles have the ability to evaporate underground tunnels - such tunnels are shown and described in item F1 from the totaliztic web page [newzealand.htm](#). Moreover, UFO vehicles are also capable to withstand high temperatures and high pressures. This resistance gives to them the so-called "magnetic lens" and "magnetic framework". (This "magnetic lens" and "magnetic framework" are described in subsections F10.1 and F10.3 from volume 3 of my newest

monograph [1/5].)

Summarising the above, attributes of the tsunami described here correspond to consequences of underground detonation of the smallest type of UFO vehicles, namely a UFO type K3. This UFO type K3 has 9 separate magnetic propulsors filled up with the purest form of energy, means with the magnetic energy. Namely, it has $n=8$ small "side propulsors" with approximately the same amounts of magnetic energy contained inside of them, and one larger "main propulsor" with 8 times as much energy inside, as the energy contained in each side propulsor. As it is known to us from other historic UFO explosion that occurred in 1908 in Tunguska, Central Siberia, such separate magnetic propulsors of UFOs do not explode simultaneously, but they do it one-by-one with a small time delay. In the result, the explosion of a UFO type K3 has a character of NOT a single large bang, but a series of 9 blasts that occur in a fast sequence one after another. Because of the principles involved in a natural mechanism of propagation of magnetic disturbances, which governs later the distribution of energy by these 9 explosions, the waves of energy splashed around by each of these blasts, gradually are distancing from each other as their gap from the epicentre grows. In the result, to the areas significantly distant from the epicentre of earthquake discussed here, these 9 waves arrived with significant time delays between each other. Therefore, the coasts destroyed by waves were flooded cyclically as many as 9 times, one wave after the other. Thus, the fact that the destructive tsunami discussed here was composed out of 9 separate waves, not just from a single wall of water - as this takes place in case of a typical tsunami, provides us with a "smoking gun" for the fact that it was intentionally "simulated" as if caused technically by an underground explosion of a UFO type K3 that contains inside 9 propulsors loaded with pure magnetic energy.

The above is worth to supplement with the information, that if our professional (paid) scientists are not so busy with denying that UFOs are worth of researching, then they could easily prove scientifically, that the discussed earthquake and tsunami actually were "simulated" as if they originate from the explosion of a UFO vehicle type K3. This in turn would allow them to officially derive many conclusions presented on this web page. The point is that each earthquake leaves after itself a seismographic "signature" that is unique to the origin and mechanism of it. This "signature" is simply a set of unique attributes of the seismographic recording that was formed in the effect of a given earthquake. Because the discussed earthquake was "simulated" as if it originated from the explosion of a UFO vehicle type K3, the "signature" that it produced would display attributes similar to these produced by a series of 9 underground thermonuclear explosions taking place one after another (8 out of which were of similar power, while 1 was around 8 times stronger).

Even more interesting is the fact, that somewhere in depths of scientific laboratories is hidden an obvious and direct proof, that this tsunami was surely "simulated" as if caused by a UFO explosion. This proof are recordings of magnetometers from that tragic day. This is because "normal" earthquakes and tsunamis do not cause larger disturbances in magnetic field. But a powerful UFO explosion surely caused such a magnetic disturbance on an enormous scale. So in spite that I did not meet so-far even a smallest mentioning of any scientist that such disturbances of the magnetic field in fact were recorded that tragic day, I am

ready to bet everyone, that these highly evidential records either are still lying buried somewhere in depths of magnetic laboratories and not noticed by any scientist (probably as usually too frustrated by the lack of topics for his doctorate to notice what happens around him), or in a mysterious manner these records rapidly "vanished".

It is also worth to notice that shortly after this tsunami I heard in news about a burst of magnetic activities of the Sun, and about the appearance of strong auroras at magnetic poles of Earth - about which I wrote already in item #D4 above. So it appears that either the simulation of a UFO explosion triggered such intense magnetic phenomena, or that the date of this explosion was intentionally selected in the middle of period of increased solar activity, to hide from less inquisitive people the magnetic character of this explosion.

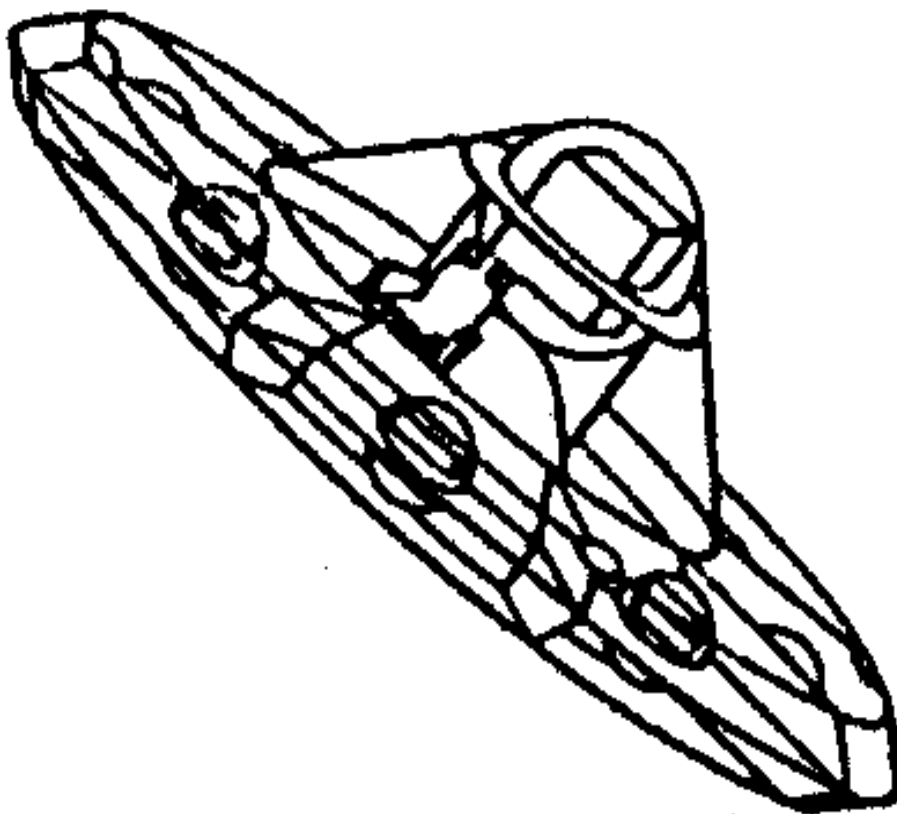


Fig. #D5 (P1 in [1/5]): Here is an exact appearance of K3 type of the Earthly starship with the magnetic propulsion system, called the Magnocraft. Developed was even a formal scientific proof which conclusively illustrated that such an Earthly "Magnocraft type K3" must fulfil a number of laws of physics and mathematical equations that result from these laws, and thus in spite that it was invented on the Earth, it still must have the exact shape and appearance of the

"UFO vehicle type K3". Therefore the above drawing reveals also how exactly looks a UFO type K3, the simulated explosion of which on 26th December 2004, caused the tsunami of so tragic consequences. In order to compare the shape of the above Magnocraft, with the shape of a UFO type K3, compare the above drawing with the photograph of a UFO type K3 shown in "Fig. #D4" (remembering, however, that on the above drawing the shell of the Magnocraft is transparent, while on the photograph of the UFO the same shell is reflecting the light like a mirror). Such a UFO type K3 is shaped like a saucer turned upside down. In the centre of it, and also around the peripherals, spherical propulsors filled up with magnetic energy are assembled. On the above drawing these propulsors are illustrated as spheres, with cubical so-called "Oscillatory Chambers" housed inside of them. In total a UFO type K3 has 9 such spherical propulsors. Out of these 9 propulsors, one "main propulsor", assembled in the centre of this vehicle, is 8 times larger than the remaining $n=8$ "side propulsors" assembled around peripherals of this spaceship.

More information about the design and operation of UFO vehicles, as well as more data about attributes and capabilities of these space vehicles which are simulated as means of transport used by our evil relatives from cosmos, can be obtained from volume 3 of [monograph \[1/5\]](#). In turn descriptions where this enormous energy comes from, which can be released during the explosion of UFO vehicles, is provided on web pages about the so-called "[oscillatory chamber](#)".

#D6. What tells us the fact, that tsunami of 26th December 2004 had two energy carriers, and these carriers moved at two different speeds:

In [monograph \[5/3\]](#) are summarized the most important reports of eye witnesses of another simulated UFO explosion, which took place in Tunguska, Central Siberia, in 1908. One extraordinary detail of these reports, which was confirmed independently by several eye witnesses, was that in Tunguska as many as two series of explosions were heard, around 21 separate explosions in each of these two series. (This is because a UFO type K6 exploded over there, which carries $n=20$ side propulsors, and one main propulsor - this is why there were 21 separate blasts.) The first out of these two series of 21 explosions from Tunguska, was very loud, sharp, and it could be heard almost simultaneously with the flash of the explosion. In turn the second series of 21 explosions arrived to the eye witnesses only around 10 minutes later. It was much quieter, and more fuzzy. The fact of existence of these two separate series of explosion I personally explain in the monograph [5/3] by the action of two energy carriers that were released over there, namely the magnetic energy carrier (this means the waves of magnetic disturbances generated by the disintegrating propulsors of the

exploded vehicle), and the acoustic energy carrier (means waves of vibrations of the air that carried the sound of the explosion's noise). The magnetic carrier transported the energy of explosion almost instantly. In turn the acoustic energy carrier transported this energy with the speed of sound.

Well, the most shocking aspect of the tsunami from the Indian Ocean, was in my opinion that also this tsunami had as many as two energy carriers (series of waves), which moved with two different speeds. Scientists called these two series of waves with names "primary tsunami" and "secondary tsunami". In the article "Expert: Lucky ours was a secondary hit" published on page 6 from the issue of Malaysian newspaper "[New Straits Times](#)" dated on Friday, 31 December 2004, it was estimated that the "primary tsunami" propagated along the Indian Ocean with the speed of around 800 km/h. In turn the "secondary tsunami" propagated with the speed of only around 160 km/h. In the result, coasts around the Indian Ocean this time were destroyed by two subsequent series of tsunami waves. The first series was the one which did the damage. It arrived almost instantly. It was composed of 9 separate waves of water, which attacked coasts with an extreme fury. After some time, when the water from the first series returned to the sea, arrived a second, smaller series that also was composed of 9 separate water waves. They again flooded coasts that were already destroyed. At this point I should explain, that two separate series of waves of tsunami that originated from a single "earthquake" are an extraordinary phenomenon. Normally a single earthquake causes a single wall of water that floods the coast. Thus the fact that there were two series having 9 waves each, is another evidence, that the tsunami discussed here was intentionally so simulated that it resembled a disaster induced by an underground explosion of a UFO vehicle K3 type.

A direct evidence for the fact, that the destructive energy of the first series of tsunami wave was forwarded via a magnetic carrier (means NOT by a hydraulic carrier) is also the fact that this first series of waves was propagating exactly along straight lines. So it did not hit coasts which were hidden behind some other lands or islands. In turn, as this is well known to everyone, the vibratory or a hydraulic energy carrier would allow the destructive waves to propagate along curved lines, and to hit also areas hidden behind a land or an island - if there is only a water path leading to these areas. So the fact of motion this tsunami in straight lines (means via a magnetic energy carrier) is a further undeniable proof for the fact that this particular tsunami was so simulated as if it was caused technically through the underground detonation of a UFO vehicle type K3.

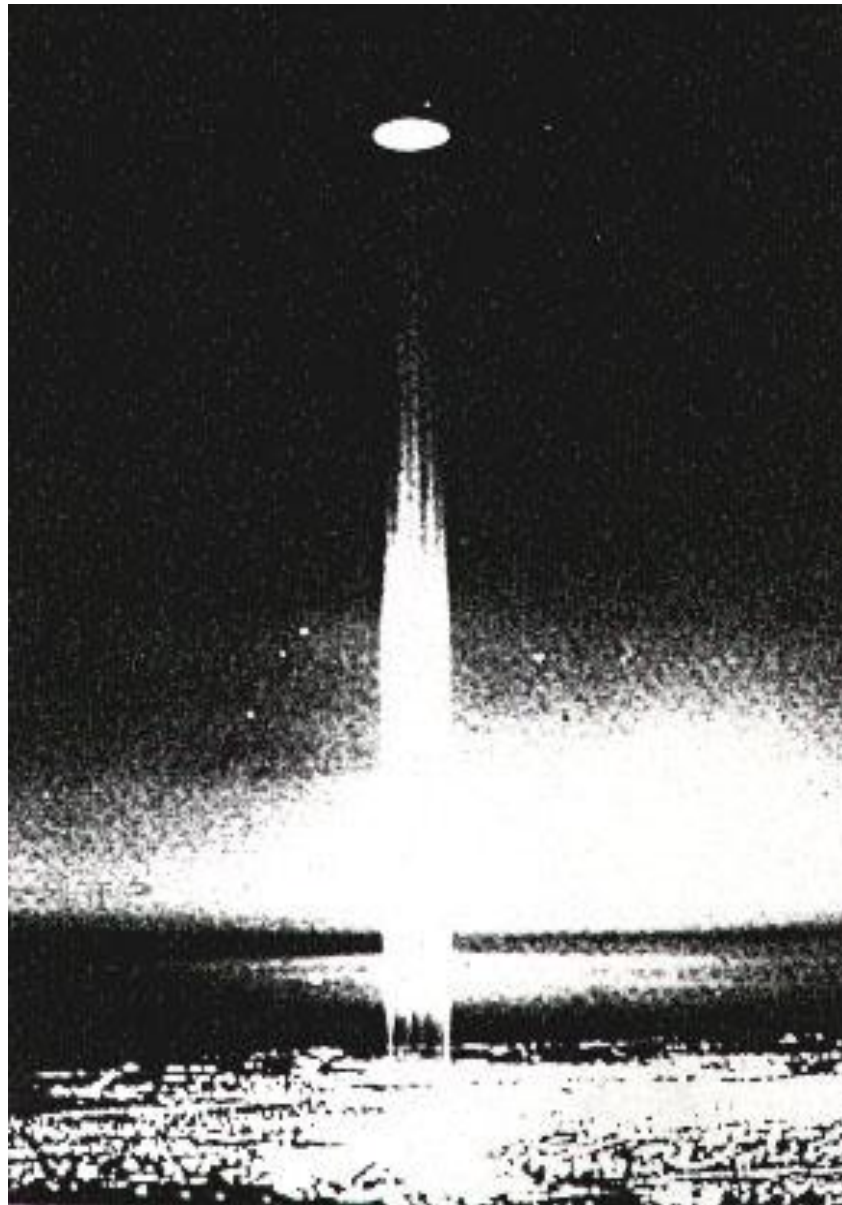


Fig. #D6 (P17 in [1/5]): A photograph of a UFO type K3 taken in Japan. It illustrates the directing of a beam of light along strands of force lines from a UFO magnetic field. Similarly like the energy of light is transferred within the channel formed from magnetic field of this UFO vehicle, also after such a UFO is exploded, the energy of explosion is propagating inside of a flash of magnetic disturbances. In the result, to sea shores this energy arrives carried out by two energy carriers, namely by (1) the magnetic carrier, and mechanically by (2) the hydraulic carrier.

More information about the above photograph is presented in the caption under Figure P17 from volume 13 of [monograph \[1/5\]](#), as well as on "Fig. #3" from the web page [memorial.htm](#).

#D7. What is indicated by the fact that the Sumatra tsunami of 26th December 2004 was not proceeded with warning

behaviours of animals:

As we know, every natural earthquake is brewing itself up for quite a long period of time. After all, the stress in Earth's crust is building itself up gradually for months and sometimes even years. During this brewing, it emits increasingly intensive warning signals, in the form of strands of increasingly intensive telepathic disturbances. These telepathic disturbances of the earthquake that is just brewing, are in turn perceived by various animals which react very strongly to them. Typically animals feel the approaching earthquake many days in advance (sometimes even many weeks) before it strikes. And so, dogs begin to howl before an earthquake, horses become nervous and refuse to work, some fishes become crazy, birds stop singing, while frogs and toads emigrate to place safe for them already 5 days before the earthquake is to strike (for more details see item #E6 below), etc., etc. Some of these strange behaviours of animals are then noticed by various highly sensitive people who receive in this way their early warning that a disaster is coming.

However, as it was already emphasized in (3) from item #D3 above, in Sumatra animals did NOT sensed this telepathic warning. Most clearly such a warning was not emitted this time. This fact emphasizes again, that the tsunami discussed here was intentionally simulated as if it was caused by a UFO explosion.

People living around the Indian Ocean are very close to nature. So if the earthquake brewing up would send any warning signals, then with no doubts they would perceive these signals and interpret them correctly. However, in the earthquake and tsunami of 26 December 2004 no such warning signals were emitted. The only incident which was noted priori to it, is that in a day proceeding the deadly earthquake fisherman catching directly above the area where the epicentre was located caught unexpectedly lot of fish. But we must remember, that in this area already earlier was simulated a situation as if UFO vehicles were gathering in there, to prepare the explosion of one of their vehicles in this exact spot. So the powerful magnetic field that would be generated by such UFO vehicles, and that needed to be simulated in there, caused the confusion amongst fish. In the result, these confused fish allowed to catch themselves much easier than normal. After all, just on the same principle of a powerful magnetic field are based methods of magnetic fishing (in such methods a powerful magnetic field leads fishes directly to the net). So the higher than usual catch of fisherman in the area of epicentre is only an evidence that in this area a situation was simulated as if UFO vehicles were present earlier in there. This catch did NOT constituted a warning signal about a natural earthquake brewing up. In turn the appearance of the powerful earthquake without prior manifestation of any warning signals typical for such an earthquake, is another convincing evidence that this particular earthquake from the Indian Ocean was simulated on purpose as if caused technically through exploding a UFO vehicle, NOT caused by natural phenomena. This means that the murderous tsunami discussed here was prepared to be perceived by people as if was caused by diabolic UFO nauts, not by the "mother nature".

#D8. What meaning has the date of 26th:

Subsection V5.4 from volume 16 of my older [monograph \[1/4\]](#) explains comprehensively, that in order to distinguish between events on the Earth which were simulated as purely natural, and events simulated as caused by UFOs, a secret code of dating of events seems to be introduced. And so, according to this code, every important event which happens on 13th of any month, and also on 1st April, was simulated as if it was caused by UFO-nauts. Examples of a whole range of such events supposedly caused by UFO-nauts on 13th days of a month, are described in subsections VB3.2, VB4.3, VB4.3.1, VB5.3.1 and VB5.3.3 from volume 17 of my slightly older [monograph \[1/4\]](#). Two such examples are also indicated in the caption under "Fig. #D8" below. As it turns out, the multiple of date 13th (means the date $2 \times 13 = 26$) seems to also be used for a secret marking earthquakes simulated as if it was caused by UFO-nauts. What even more interesting, from findings presented on this web page, and also findings presented on the web page named [seismograph.htm](#), stems that **the date 26th of a given month is used by God for carrying out these earthquakes with which God tries to let to know the affected victims that He does NOT accept their beliefs nor practiced [philosophy of parasitism](#)**. At this fact of intentional imposing by God the meaning to the date 26th, in the best way points our attention the extremely interesting article entitled "26th a quake-prone date", which appeared on page 2 of the free edition of Malaysian newspaper named "[The Sun](#)", dated on Saturday, 1st January 2005. Because of the evidential significance of this article, I am quoting it below. Here it is:

"PETALING JAYA. It may be a mere coincidence or the number 26 just attracts earthquakes but it is interesting to note that several major earthquakes in the beginning of this millennium had occurred around the date 26. In 2001, earthquakes in Gujarat near Ahmedabad, and Chennai fell on Jan 26 and Sept 26, respectively. In 2003 there were earthquakes in Japan on May 26, and on Sept 26, which injured hundreds and caused chaos around Hokkaido. There was also an earthquake in Indonesia on May 26. The most destructive earthquake, however, killed an estimated 30,000 people in the historic city of Bam in Iran. It occurred on Dec 26. And this year, the largest and most devastating earthquake by far in recent years happened in Indonesia, also on Dec 26. There were other earthquakes which were unleashed on the 26th day of the month including one in New Zealand on Jan 26, 2003 and in China on Oct 26, 2003."

The above it is worth to complement with the information, that the simulation of deadly tsunamis in a manner as if these were caused by UFO-nauts who chose the 26th day of the month to carry them out, did not started in this millennium. For example, in the article "Old wave gives clue to the next big one" from pages 18 and 19 of the Malaysian newspaper "[New Sunday Times](#)" dated on 9 January 2005, is described the oldest (known to me) exactly dated deadly tsunami. Shockingly, according to records in Japanese historic chronicles, it took place on 26th January 1700. The epicentre of it was located in the area in which presently the so-called "Cascadia fault" is located on the western shore of North America.

It is also worth to add here, that one of Chinese numerology interpretations for the number "26" in the Cantonese dialect states "**yee loh**" - what means "**easy to die**" (could it be possible that the intelligence which have chosen 26th day for inducing tsunamis was inspired by the Chinese language).

Of course, now when finally we managed to determine, that these most murderous tsunamis are so simulated as if they are technically induced by UFO-nauts on 26th day of any month, we have a chance to take a special notice of such particular dates. After all, it most probably will be on 26th when the "big bang" is to take place. (This "big bang" is unavoidably pulled onto our heads due to the rapid spread and advancing around the present world of the highly destructive [philosophy of parasitism](#).) So we can begin to prepare ourselves already now for the arrival of that tragic day.



Fig. #D8 (S1d in [1/5]): An authentic photograph of a UFO vehicle type K7. So far, people all around the world have gathered a huge number of such authentic photographs of UFOs, and even authentic movie films of UFOs (e.g. consider the famous "Kaikoura UFO film" taken on 31 December 1979 in New Zealand). Furthermore, has been accumulated also a vast number of various other items of evidence which confirm the objective existence of UFOs. In addition, in spite that many especially close-minded scientists repetitively tried to prove that the entire body of evidence for the existence of UFOs is a "fabrication" of unworthy people, the proving that supposed "fabrication" turned out to be impossible - e.g. see the web page [memorial.htm](#). Therefore this already accumulated body of evidence allowed to develop a formal scientific proof for the objective existence of UFOs - which proof is presented on the totaliztic web page named [ufo proof.htm](#). In turn, the scientific proving of the fact that UFOs do exist objectively, reveals to us that a significant number of most vital events on the Earth is so designed by this "corrective intelligence" which controls these events, that the events have as

many as 3 different explanations. Namely, each such an event in fact is (1) caused by this "corrective intelligence" described in item #J2 of this web page. But simultaneously, each such event is also (2) "simulated" as if it had "natural causes" resulting from the action of "laws of nature". Furthermore, each such an event is also (3) so "simulated" as if it was secretly organised by the advanced technology of UFO-nauts. In turn the existence of such 3 different explanations for all most important events, inspires in people turbulent confrontations of views and much more intense search for truth - the outcome of which is always a growth of knowledge and the increase in awareness.

An excellent confirmation for the intentional "simulation" as many as 2 additional explanations for every event which in reality is organised by this "corrective intelligence", is the so-called "Miracle from Fatima" in Portugal. Namely, when on 13 October 1917, God's Mother appeared to people another time in Fatima, Portugal, the appearance of that "God's Mother" was intentionally so designed, that she had all anatomic features of female UFO-nauts (described in item #M2 below) - for example a pointed chin, triangular face, etc. Simultaneously, at the moment when God's Mother appeared, an unexpected strong gust of wind opened clouds and show to shocked almost 70000 people that gathered below, a silver disc of a UFO vehicle, very similar to that UFO from the above photograph. More details about this supernatural event from Fatima is reported on pages 110 to 111 of the book by Stephen Skinner, "Millennium Prophecies", Carlton Books Limited, 1994, ISBN 1-85868-034-4, 160 pages, HC.

By showing to the crowd in Fatima that silver UFO vehicle, also the 3rd explanation was added to that religious event. In the result, that event has as many as 3 different explanations defined in the caption from the above photograph. Namely, for people whom are already enough mature intellectually to accept the evidence for multilevel activities of God this event from Fatima is just(1) another religious confirmation of the existence and actions of God. For people with the most primitive views of the world, whom in everything see just an action of "laws and forces of nature" the Fatima event is just (2) one amongst more strange manifestations of hysteria of crowds. In turn for people whom already discovered that laws and work of nature do NOT explain everything what happens in the universe, but whom still do NOT reached the level of awareness which would allow them to accept that God arranges absolutely all events which take place in the entire universe, including in this number also events which people perceive as "evil", this event from Fatima was so "simulated" that it can be considered to be a (3) cunning impersonating of a holy figure by female "UFO-naut".

The above photograph of a UFO vehicle type K7 is explained more comprehensively on Figure S1 from volume 15 of my newest monograph [1/5].

#D9. Why tsunamis and other "Acts of God" usually take place during a holiday?

The tsunami of 26th December 2004 was induced during a holiday. This is

because during a holiday the majority of public services responsible for keeping eyes open and for alarming people, either do not work, or are deprived their decision makers. Also during holidays it is extremely difficult to mobilize immediately any rescue operation. As this is explained in more details in subsections VB3.2, VB3.3, VB4.4, or VB4.5 from volume 17 of my older [monograph \[1/4\]](#), if an "Act of God" is coming, which supposed to cause a significant destruction, then usually it happens during a holiday, or during a weekend. This is because the "corrective intelligence" which controls these disasters know perfectly well that in such days practically almost everything on the Earth is having a holiday and nothing is working. So for example the majority of damages, which I experienced myself, was done during holidays or during weekends. As we know, the tsunami of 26th December 2004 also was caused during a second day of Christmas (in English this day is called the "Boxing Day"). So the date of carrying it out also directly indicates, that this particular tsunami for sure was caused by some "intelligence", which knew jolly well what and when is doing.

An excellent illustration of reasons for which this "intelligence" chooses holidays for carrying out its disasters, provides the article entitled "The day U.N. killed 227,000: Why there was no tsunami warning from agency monitoring seismic activity (from Joseph Farah's G2 bulletin)". This article was placed in Internet on 9 May 2005 under the address www.worldnetdaily.com/news/article.asp?ARTICLE_ID=44160. As it appears from this article, in time when this murderous earthquake and tsunami of 26 December 2004 took place, all 320 employees of the located in Vienna UN agency named the "Comprehensive Nuclear Test-Ban Treaty Organization" was send to holiday. The agency is responsible for monitoring the seismic activity around the globe, and supposedly has everything that is needed to warn all countries which were destroyed by this tsunami that the tsunami is coming at them. Only that, when this murderous tsunami stroke, according to the above article no-one from employees of the agency was at work to monitor what happens - all of them went at a simultaneous holiday. The activities of this agency are paid by UN and cost 105 millions dollars a year. The above article suggests that if NOT all employees of this agency went to a simultaneous holiday, then most probably it was possible to prevent the tragedy of 26th December 2004.

Part #E: Directions of further investigations which opened the Sumatra tsunami of 26 December 2004:

#E1. Kinds of questions which my

research on this Sumatra's tsunami inspired me to ask:

My research described above on the Sumatra's tsunami of Sunday, 26 December 2004, realised to me that there is a clear "intelligence" and purposeful action on the part of this supposedly thoughtless, wild, "wanton element". This in turn caused that I developed a whole series of questions, finding the answers to which would allow us to either prevent these cataclysms, or at least avoid their results. In subsequent items of this part I am going to present most vital amongst such questions, and provide replies to them. Here are these replies and questions:

#E2. Level of morality - i.e. what guides this "corrective intelligence" in the selection of victims of tsunamis:

My findings to-date indicate, that the major criterion for the selection of victims of every "Act of God", is the **moral** state of given people. And so, in case of individual persons, the ones who were hit by given disasters, and their lives were in serious dangers but still come out OK, either already practice the philosophy which is close to the philosophy of totalizm, or they begin to practice such a philosophy soon after going through this endangering of their lives. In turn, if someone gets through the trouble of checking the philosophy of these ones who died in the result of given tsunami or other "Act of God", then it turns out that they practiced the philosophy which displays attributes of the philosophy of parasitism. At this point it is worth to emphasize, that the practicing of the "philosophy of totalizm" cannot be confused with e.g. "religiousness" or with "church going". This is because many people can be regular "church goers" and display a high "religiousness", but simultaneously in their everyday life they practice the philosophy of parasitism. (For example, the so-called "religious fanaticism", and also "religious hypocrisy" ("irreligiousness"), are examples of practicing a religion and simultaneously practicing the philosophy of parasitism.)

The most interesting results, however, provide research of the moral state of entire communities which were hit by tsunamis or by other "Acts of God". Namely, as this research indicates, **tsunamis or other "Acts of God" hit only in these communities which already slipped down to the lowest level of so-called "agonal intellect" in their practicing of the philosophy of parasitism**, and in addition amongst them do NOT live these at least "10 righteous" described in item #G2 of this web page, and also in items #B5 and #B6 of the totaliztic web page seismograph.htm.

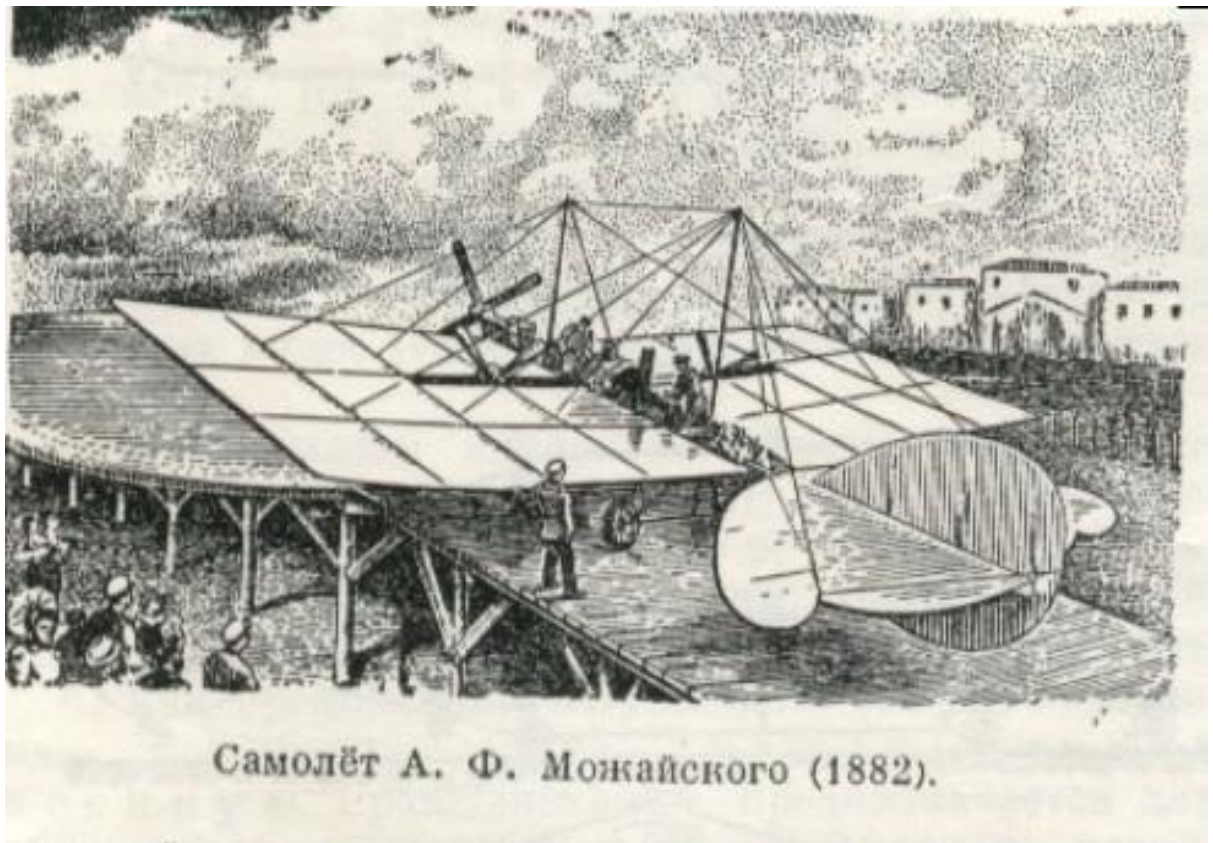


Fig. #E2 (T2 in [10]): Here is the airplane which can be a symbol of consequences of practicing the philosophy of parasitism. This is because practicing the philosophy of parasitism always leads to immorality, deviations, social stagnation, injustice, persecution, exploitation, depriving of information, imposing secrecy, limiting human rights, making impossible communicating between people, and many other forms of changing people into slaves. As such, parasitism always was, and will be, one of the most destructive social illnesses which work against humanity. After all, keeping everything secret and imposing various restrictions onto people, has not only psychological consequences of the type "I do not know so I do not act", "it was forbidden to me so I will not dare", but also spiritual and karmatic consequences.

The above illustration shows the first airplane in the world, build and flown in 1882 by a Polish engineer with the Russian citizenship, named Aleksander Mozhajski Unfortunately, due to the philosophy of parasitism the world did NOT learn that this airplane was constructed and tested, and that it managed to fly. More about Aleksander Mozhajski and his airplane is explained on the separate web page devoted to Mozhajski.

#E3. Influencing the depth of renewal - i.e. which city in a given community overtaken by the philosophy of parasitism is selected for destruction with a given "Act

of God":

As it stems from my research to-date, the city which is selected for the destruction by the "corrective intelligence" which controls a tsunami or earthquake, always turns out to be the one which if destroyed causes the biggest change in moral principles on which a given parasitic community operate. Simultaneously this city must NOT be inhabited by at least "10 righteous" (described in item #G2 below) which are to protect it from falling victims of a given "Act of God".

#E4. Reassurance for believers - means why this "corrective intelligence" so control tsunamis and earthquakes, that these disasters destroy houses but leaves untouched selected religious objects:

In the tsunami from Sumatra of 26 December 2004, I was hit the most by the fact that houses of people were destroyed, but churches, mosques, Buddhist temples, crosses, etc., were left untouched. Thus, in further cases of earthquakes and tsunamis which I investigated, I always checked whether this was just a coincident, or the repetitive rule. As it turned out, in every earthquake and tsunami about which sufficient information was disseminated to allow to verify this particular aspect, always were cases that in the very centres of completely destroyed areas survived untouched various religious objects, such as churches, crosses, temples, mosques, etc. The only cases in which selected religious objects still were destroyed, turned out to be these ones about which one should have any doubt that God definitively does NOT approve the direction in which are going believers who use a given religious object (e.g. it is known that an earthquake destroyed the cathedral in Haiti about which we also know that believers who use it still are faithful to the "pact with devil" which in past took their ancestors - for details see item #C3 on the web page seismograph.htm).

Fort me personally this fact of leaving religious objects untouched has a multidimensional meaning. For example, it emphasizes that given "Acts of God" have the moral nature and display links to religion. It is also a kind of "sign from God" which for believers that seek such a sign provided a reassurance in their faith.

#E5. Suggestion of rules - means principles by which this "corrective

intelligence" selects e.g. date and time of tsunami:

Tsunami of 26 December 2004 directed my attention to the fact that the selection of e.g. the date and time of a tsunami or any other catastrophe, is NOT coincidental. As it turns out, **morally "corrective" tsunamis and earthquakes always hit in days and at times when are able to cause the most of destruction.** And so, usually they hit in holidays - when the attention and readiness of immoral people is the most loose. They also hit either near the end of night, or during hours when people are under roofs - when the majority of immoral people still either sleep or is in buildings which are to be destroyed.

Interestingly, there are also "most favoured" days in which tsunamis hit. To these "most favoured" by tsunami days belong dates 13th and 26th (i.e. 13+13) of any month, and also dates 1 April and every holiday. The topic of day favoured by tsunami and earthquakes, discusses also subsection V5.4 from volume 16 of my older [monograph \[1/4\]](#), and item #D8 on this web page.

#E6. The inspirational function of "Acts of God" - means such design of these cataclysms that they motivate research and reveal hints to trigger the progress in knowledge and technology:

The intelligence that control cataclysms always designs these in such a precise manner, that each one of them hides numerous hints and factors that motivate people. These in turn are so formed that they inspire in people creativity and searchers for truth. In order to indicate here an example of such hints, one of them is e.g. the already described in item #D7 extraordinary behaviour of frogs and toads several days before an earthquake is to hit. Namely, these creatures emigrate and hide in safe places several days before an earthquake is to strike. Then they emerge again from there only after the earthquake. This fact was noticed in several places on the Earth. For example, for Italy it is described in the article [1#E6] "Toads may help predict quakes" from page A22 of the newspaper [The New Zealand Herald](#), issue dated on Thursday, April 1, 2010. (Please take notice in this article the date of its publishing, namely the "fools' day", which is highly "discouraging" to seriously consider this important discovery, but which (the date) is typical and in line with the action of the so-called "curse of inventors" described in item #G3 of the web page [eco cars.htm](#).) Another similar mass escape of toads, about which I already know, was noted in China during the earthquake on 12 May 2008 - for details see the article [5#E3] in 5 from item #E3 of the web page [katrina.htm](#).

Frogs and toads have this attribute, that they are exceptionally sensitive to telepathic commands. This their telepathic sensitivity is even exploited practically by the Polish snake called "zaskroniec" - which catches frogs just by remotely hypnotising them with telepathy and then ordering them to jump into its mouth. The report from my own sighting of just such a remote hypnotising of a frog by a Polish snake "zaskroniec" is presented in item #F2 from the totaliztic web page [stawczyk_uk.htm](#). Thus, if someone notices and scientifically investigates the principle and phenomena which allow frogs and toads to predict the arrival of earthquakes already around 5 days in advance, then he or she receives a hint how to build practically an apparatus which will be able to warn people in advance that an earthquake is brewing, and that they should run for cover. Just such an device was already developed and even tested in action. It is so simple that the construction of it lies in capabilities of almost every present hobbyist. On this web page it is briefly described in item #H2 below - but for the complete description of it is devoted an entire separate web page named [seismograph.htm](#). What everyone should be hit during looking at this device, is that the design of it also contains hints coded into its form. After all, the most vital of its parts were shaped just into the form of "dragons" and "frogs". In turn, as it is explained in item #B3 of the web page [evidence.htm](#), the word "dragons" is an old name for present "UFOs" and "UFOonauts". Thus such "dragons" symbolise creatures which in present "simulations" of earthquakes and tsunamis are supposedly responsible for causing these catastrophes. In turn "frogs" are creatures which are able to detect telepathically an earthquake that is just brewing up. Means, the person who designed this device, also knew jolly well what is doing, and knew how to code into it the hints which can inspire and direct future researchers.

#E7. Warning catastrophes - means the appearance of "signs" of murderous cataclysm approaching a given community:

From research to-date stems also, that before the main destructive and deadly cataclysm is send to a given community, firstly this community receives several "warnings". The most meaningful amongst these are "warning catastrophes" of a limited scale, which are send near the city that is selected to be hit by the major cataclysm, or to the country the morality of which God just tries to correct. (A good example of just such a gentle "warning" is the earthquake send by God do Christchurch in New Zealand and described in item #C5 of a separate web page named [seismograph.htm](#). These "warnings" are "signs" that if a given community does NOT voluntarily change its ways into more moral and totaliztic ones, then it can expect a major cataclysm the results of which are going to force such a change in a "hard way". Many amongst such "signs" are already

Part #F: Other cases of deadly tsunamis which took place after 26 December 2004, and which confirm regularity revealed on this web page:

#F1. My further searches for regularities imprinted into tsunamis by this "corrective intelligence":

Starting from the tsunami of 26 December 2004 described before, in every next deadly tsunami about the occurrence of which I learned, I searched evidence which would provide replies to questions listed in previous "part #E" of this web page. Of course, there were no many such deadly tsunamis after that of 26 December 2004. All of them, which took place already after 26 December 2004 (but before the date of most recent update of this web page) are described in this "part #F" of the web page. So here are all these cases of deadly tsunamis, and also partial replies to questions from previous "part #E" that results from their investigations:

#F2. Tsunami from Samoa on Tuesday morning, 29 September 2009:

To the east not far from New Zealand lies a small island country called Samoa. Because in times when New Zealand was a colony of England, this Samoa was a colony of New Zealand, everything that happens in Samoa is still watched and reported quite well in New Zealand. Thus, when in morning of Tuesday, 29 September 2009, a small section of the coast of the island "Upola" in Samoa, was hit by a deadly tsunami caused by a nearby earthquake of 8.3 magnitude, in which died almost 200 people, in New Zealand appeared quite a good selection of descriptions and television programmes on this subject. Thus I had an access to the required evidence for my investigations.

From analyses of this evidence stems out, that the population which lived in the section of sea shore in Samoa hit by this tsunami really practiced the philosophy of parasitism. Also, really houses were destroyed in there, while the

local church was left untouched. Also in fact, this tsunami caused a moral renewal in a proportion of inhabitants of Samoa - in spite that the "help" provided to local inhabitants was very far from meeting requirements of the "totaliztic help" described in item #R2 below on this web page.

The "help" provided by New Zealand for selected victims of Samoa tsunami is relatively well described in the article "Islanders rebuild shattered world", from page A6 of newspaper [The New Zealand Herald](#), issue dated on Monday, April 5, 2010. According to these descriptions, teams from New Zealand rebuild living houses of some people affected by this tsunami, provided their new homes in modern conveniences, selectively gave away equipment and materials, etc. So these lucky ones chosen from the local population who were privileged with receiving this "help", to the jealousy of others discriminated by NOT getting this "help" could lie back while everything was for them done by New Zealanders. In the result, instead of assistance in pulling up from claws of parasitism - for which thus tsunami was "arranged" for them in first place, this "help" rather pushed locals even more deep into practicing this destructive philosophy. Thus, the Samoan tsunami for sure is NOT going to be the last disaster about which we are to hear that it affected this island nation.

Tsunami from Samoa is also described in item #B2 on the totaliztic web page [seismograph.htm](#).

#F3. Tsunami in Chile on Saturday, 27 February 2010:

Another murderous earthquake and tsunami hit in Chile on Saturday, 27 February 2010 (in a part of the world then still was 26th). In New Zealand it was quite well reported, because sea waves reached as far as shores of New Zealand - only that were already too weak to cause some significant damage.

The earthquake and tsunami from Chile also hit settlements the inhabitants of which practiced the philosophy of parasitism and the hypocritical religiousness. These disasters also forced a moral renewal in the entire that country - although in my opinion this renewal was still insufficient to exclude further Acts of God. The warning of further Acts of God appeared in there soon after the earthquake and tsunami. It took the form of an unexplained "blackout" of almost the entire Chile, described, amongst others, in the article "Transformer failure plunges nervous Chileans into darkness", from page B1 of newspaper [The New Zealand Herald](#), issue dated on Tuesday March 16, 2010. (In this article for the blackout is accused the failure of a transformer, but in other articles about the same "blackouting" almost the entire Chile, various different reasons were given - this means that in reality the reason remained unknown to people.) An intriguing aspect of that earthquake was, that for the city named "Concepcion" (which refers to "Immaculate Conception") in which it caused the most of destruction, its significance stated that "nobility obliges" (in that case the meaning of it was that **if someone lives in the city which bears a religious name, he or she should behave in it as this is proper for the place with such a name**).

Tsunami from Chile is also described in item #C4 of the totaliztic web page [seismograph.htm](#).

#F4. Tsunami from west Sumatra, Indonesia, on Tuesday, 26 October 2010:

Most clearly the tsunami of 26 December 2004 (the one described in the main part of this web page) did NOT shake up sufficiently strong the complacent structures of Indonesia, to stop its increasingly deeper sliding down into claws of the [philosophy of parasitism](#). Thus God served to that country another cataclysm. On Tuesday, 26 October 2010, at 3:40 am of the New Zealand time (GMT+12), to the west from Indonesian "Mentawai Islands" at the west coasts of Sumatra, took place a powerful underwater earthquake of the force 7.7 in the Richter scale. This earthquake induced a killing tsunami wave of 3-meters high, which destroyed many villages and took life of hundreds of Indonesian villagers (on 29 October 2010 reported were already 311 deaths caused by this tsunami). It was caused by the same geological fault, which caused the tsunami described in the main part of this web page. Soon after that tsunami, God triggered also a volcano eruption on the Indonesian island of Java - which took next tens of lives - see the article "Tsunami alert had failed, say officials", from page A14 of newspaper [The New Zealand Herald](#), issue dated on Friday, October 29, 2010. Highly interesting in that tsunami was the meaningfulness with which God selected the date when it hit. The tsunami hit in the same 26th day of the month, as the tsunami of 2004. Furthermore, in 2005 a German company installed in Indonesia a complicated devices for early warning against tsunamis. But these devices get out of order in around a month before the tsunami of 2010 described here. Most clearly God reminds this country, that it should invest into the building of the extremely simple warning device, which easy (because hydraulic one) principle of operation I developed and described on the web page [seismograph.htm](#). After all, such a simple device which uses my principle of operation everyone could build for own use, and then easily maintain it operational.

#F5. The super-tsunami and earthquake in Japan, on Friday, 11 March 2011:

The destructive earthquake shook Japan at 2:46 p.m. local time, on Friday 11 March 2011. The initial force of it was estimated at 8.9 in the Richter scale, but subsequently it was updated to 9.0. It lasted around 5 minutes. It devastated the northern part of Japan. In turn the deadly tsunami induced by this earthquake and reaching the height from 4 to 12 meters, concluded later the destruction. In addition to this all, "**cardinal design errors**" in Japanese nuclear reactors,

described below and also explained more comprehensively in item #M1 of the web page [telekinetics.htm](#), become later the reason for explosions of nuclear fuel and for radioactive pollution of the environment - all attributes of which indicate that it was at least 4 (four) times more powerful and deadly for all inhabitants of the Earth, than was the earlier catastrophe in Chernobyl.

A more exact description of that Japanese super-tsunami and earthquake is provided in items #C7 and #I1 of the web page named [seismograph.htm](#). So it is NOT going to be repeated here. In turn these "cardinal design errors" of the Japanese nuclear reactors which then exploded, and also selected consequences of the radioactive pollution of the environment that they caused, are discussed in item #M1 of the web page [telekinetics.htm](#).

Part #G: In "what manner" we can prevent the arrival of murderous tsunami to a given community, or how individually defend ourselves from effects of tsunami - according to findings to-date that result from research already completed on this "corrective intelligence":

#G1. How a given community with the common effort can prevent the arrival of a murderous tsunami or other catastrophe:

According to findings that results from my research to-date on deadly tsunamis, the prevention of the arrival of a murderous tsunami is relatively simple. Namely, since tsunamis arrive when given communities slip down to the deepest stage of the [philosophy of parasitism](#), then **in order to prevent a tsunami it suffices that a given community ceases the sliding down into claws of the parasitic philosophy**. In turn to cease the sliding down into claws of the parasitic philosophy, members of a given community must start everyday practicing of the highly moral philosophy called [totalizm](#). In other words, to avoid deadly cataclysms it is necessary to practice the philosophy of totalizm.

The topic of prevention of "Acts of God" of the kind of tsunamis, earthquakes, fires, etc., is also discussed in item #B6 of the totaliztic web page [seismograph.htm](#).

#G2. The significance of these at least "10 righteous" whose co-inhabitancy with a given community prevents this community against all "Acts of God":

In the verse 18:32 from the Biblical "Book of Genesis" is provided a promise from God Himself, that if in a given city or amongst given community lives at least so-called "10 righteous", then the city or community is to be spared from the destruction by a catastrophe send by God. From my research to-date it clearly portrays that **God consequently keeps this promise** - see item #13 below. Because of the existence of this promise from God, **another method of saving a given city or given community from any "Act of God" is to make sure that in the "range of destruction" that includes this city or community lives permanently at least "10 righteous"**. But at this point it is worth to emphasize, that the word "righteous" used in the Bible is NOT at all synonymous with e.g. the idea of "religious". Therefore, each one amongst these "10 righteous" must fulfil the very demanding definition of a "righteous" discussed in items #B5 and #B6 from the totaliztic web page seismograph.htm.

At this point it is also worth to define the borders of the area on which we are allowed to count at the protective influence of these at least "10 righteous". Namely, all these "righteous" must live not further than in the "range of destruction" from a given area for which we try to estimate how prone it is to an "Act of God". So if for example we live in a section of city, which is partitioned into several parts by a mountain range and by a wide river, then when we estimate a chance of a "fire" we should count only these "righteous" who live on our side of the river (because a "fire" typically does NOT skip through a wide river). But if we estimate a danger of an "earthquake", then we may count at the protective action of these "righteous" who live at other side of the river, but we do NOT count these living on the opposite side of the mountain range (after all, this mountain range will then be a border of the "range of destruction").

#G3. How everyone can individually defend oneself from falling a victim of tsunami or other catastrophe:

Independently from the described above methods of defence from "Acts of God", each person can also undertake an individual defence. Such individual defence is also easy, because it boils down to the everyday practicing of the philosophy of totalizm (i.e. to starting to live the life of a "righteous"). What most

interesting, if we implement such an individual method of defence, then it is going to work for us on two different manners. Namely, if we accomplish an appropriately high level of practicing the philosophy of totalizm, then we ourselves become one amongst these "10 righteous" whose co-inhabitancy of a given area protects this area against all "Acts of God". Furthermore, when we appropriately advance our practicing the philosophy of totalizm, then even if any cataclysm for a higher reason must hit our area of residence, then we either will NOT be affected by it - because it is to miss our home, or we will just live our area when the disaster hits, or we will get a hit - but somehow we will be saved from the death. It is worth to notice, that if we ourselves are to lead the life of a "righteous", then we are included into the scope of promise from God, that our life is to be saved. This promise is provided for us and repeated in several places of the Bible, for example in the form of descriptions of the fate of "Lot" from the Biblical history about Sodom and Gomorrah, or in the form of clear declaration of Jesus from the "Wisdom of Sirach" (Ecclesiasticus) 33:1, stating that "No evil is to affect the one who respects God, as if he is affected, he will be saved."

Part #H: How to estimate the level of endangering by tsunami or earthquake the area in which we live:

#H1. How to check whether the area of city in which we live is already endangered by a murderous catastrophe:

Unfortunately, in present times almost everyone amongst us lives in the area co-habited by people who practice the [philosophy of parasitism](#). After all, the philosophy of parasitism currently prevails already in the entire world. Thus, each one amongst us is endangered by various "Acts of God". But in order to sleep peacefully, it is worth to count whether actually around us lives these "10 righteous" - described in item #G2 above. Their identifying is rather simple, as they stand up in the crowd because of their moral qualities, untarnished goodness of character, and the social activeness towards other people. In turn when we are new in a given area and do NOT know "who is who", then we can check whether in this area appear various "signs" of the presence or lack of these "10 righteous" - as these "signs" are described in item #I4 below and in item #B7 from the web page named [seismograph.htm](#). For example, a reliable sign of the lack of such "10 righteous" is that various "accidental disasters" tend to continually appear in there. (Means appear such disasters as floods, hurricanes, heavy snows or hail, fires, epidemics, blackouts, hungers, wrong decisions of

politicians, acts of terrorism, vandalism or criminality, breakdowns in public transport, roads, bridges, problems with communication, etc. - see the full list from item #O1 below) This is because such "accidental disasters" hitting large numbers of people from a given area are typically an initial "warning" that this area is deprived these at least "10 righteous", and that people who live in there slipped down dangerously low in their practicing of the philosophy of parasitism. (For more information about these "warnings" and about principles of detecting that a time of murderous catastrophe is coming, see item #B7 from the totaliztic web page seismograph.htm.)

#H2. If we have such capabilities, we should build the Zhang Heng Seismograph which is going to warn us individually about an approaching earthquake or tsunami:

As I already mentioned this in item #D7 above, every earthquake, before it hits us, firstly sends telepathic waves which are to warn us that it is brewing. These telepathic signals of a warning can also be perceived by technical devices. It was the principle of intercepting these telepathic waves and transforming them into a warning ringing, that in ancient times the Chinese apparatus named "houfeng didongy yi" was based upon. Descriptions of the appearance and photographs of this apparatus, can be found in "search engines" under a very misleading name of the "Zhang Heng seismograph". Unfortunately, almost all present descriptions of the operation of this apparatus that internet disseminates are completely wrong. It is so because they explain the operation of it on the principle of a primitive phenomenon of mechanical inertia. However, in reality this apparatus works on the principle of "houfeng", means "telepathic waves". On this web page the apparatus is shown on "Fig. #H2". This apparatus was warning about an incoming earthquake many hours in advance before this earthquake stroke, giving all people enough time to escape effectively. My appeals to private people, and also to various institutions, to give another chance to this device to let it serve our civilization again (means to let me reconstruct the true operation of this device) - still until today remaining unanswered, are contained in subsection K6.1 from volume 9 of the monograph [1/5], as well as on numerous web pages which I devoted entirely to the description of this extraordinary device, and which carry the physical name "seismograph.htm".

The apparatus for remote detection of approaching earthquakes discussed here, was build by just a single person (i.e. by someone named Zhang Heng) almost 2000 years ago. Thus, materials and tools that are needed for making it were then incomparably more primitive from that in disposal of a majority of hobbyists today. From ancient chronicles we also know, that this apparatus has

proven in practice its effectiveness, as it detected the impending earthquake from the distance of around 500 km. Therefore in my opinion, this simple device of ancient Chinese should build for themselves hobbyists from every country in the world, which is endangered by earthquakes and by tsunamis - similarly as only hobbyists finally completed the extraordinary heater described on the web page [boiler.htm](#). After all, these hobbyists who would build for themselves this already proven in action [ancient Chinese device](#), would later be individually warned by it about the approach of every earthquake and tsunami which could endanger their lives and possessions.



Fig. #H2 (K6 in [1/5]): An ancient Chinese apparatus, build in 118 AD and originally named "houfeng didong yi". Presently it is wrongly called the "Zhang Heng seismograph". In reality this apparatus works on principle of intercepting of signals which ancient Chinese used to call "houfeng", and which are telepathic waves. This apparatus detected the earthquake that was just brewing up, through converting these telepathic waves that the earthquake emitted, into acoustic warnings. Unfortunately, present orthodox scientists on Earth are still very far from official discovery of telepathic waves (so far, if asked about telepathy, they would be only able to declare officially that telepathic waves do not exist - like

they unproductively declare this on the subject of UFOs). So these scientists explain wrongly the operation of this extremely advanced apparatus, as being similar to the operation of present (i.e. still rather primitive) inertial seismographs.

More exactly this "[seismograph](#)" is described on separate web pages which are entirely devoted to it - amongst others, on the web page with my research paper entitled "[Signal processing in the 'Zhang Heng Seismograph' for remote sensing of impending earthquakes](#)". This device is also described in subsection K6.1 from volume 9 of [monograph \[1/5\]](#). In turn, an exact explanation what telepathic waves are, and what attributes they display, is contained in subsection H7.1 from volume 4 of monograph [1/5], and also on the totaliztic web page named [telepathy.htm](#).

Telling a lot about human natures is the fact, that the replica of above seismograph was exhibited in the New Zealand museum called [Te Papa](#) between years 2003 and 2010 - as this is explained in caption under "Fig. #D1" from the web page [seismograph.htm](#). But when on 4th September 2010 a nearby city of Christchurch was hit by a destructive earthquake - as this is described in item #C5 of the web page [seismograph.htm](#), the above seismograph was rapidly removed from a permanent exhibition.

Part #I: Let us study a hypothetical case of the future appearance of a tsunami in the place of my living:

In present immoral times practically everyone amongst us lives in a community which as the so-called [group intellect](#) practices the philosophy of parasitism. (One needs to clearly distinguish the philosophy of such a "group intellect" treated as a whole, from everyday philosophies of individual people who are forming this intellect.) Thus, each one of us can experience a "morally corrective catastrophe" at any time. As an example how to estimate chances of becoming a victim of such a catastrophe, below I am describing briefly how I estimate my own chances of death from a tsunami or from an earthquake. To carry out this example estimation I selected the township called Petone in which I currently live. Of course, the selection of Petone for such an analysis does NOT mean that it is some special or extraordinary township, but only means that because I live in it I also know its circumstances and condition much better than for other towns, thus on the subject of it I can express my views with a higher accuracy than on the subject of any other township.

#I1. I live in New Zealand on a particularly dangerous seismic "fault" from the

"Pacific ring of fire":

Since 2001 I live in the area which is especially endangered with tsunamis and with earthquakes. The suburb of Wellington called Petone, in which is located the miniature flat that I can afford to hire, is positioned at sea shore and directly above the most important seismic "fault" which runs around the entire Pacific Ocean - and which is described with the name of the "Pacific Ring of Fire". This "fault" shakes practically all the time. Actually on 23rd January 1855, the city of Wellington were hit by a powerful earthquake of the force 8.2 in the Richter scale, after which streets of this city were flooded with a tsunami of around 3 metres high, while coasts of nearby "Wairarapa" experience 10 metres high tsunami. Scores of people died on that day, while the majority of city buildings was destroyed or damaged. These tragic days of Wellington were described in two articles, namely in the article "If you think it couldn't happen here ... It already has", from page A1 of New Zealand newspaper [The Dominion Post Weekend](#) (issue dated on Saturday-Sunday, March 19, 2011), and also in the article "What happened on January 23, 1855", from page A2 of the same New Zealand newspaper [The Dominion Post Weekend](#) (issue dated on Saturday-Sunday, March 19, 2011). In other words, less than 200 years ago the city of Wellington was treated to almost similarly deadly cataclysm as lately experienced Japan, but which I discussed in items #C7 and #I1 of the web page named "[seismograph.htm](#)", and also in item #M1 of the web page named "[telekinetics.htm](#)".

In addition, according to estimates of experts, our area is already overdue for a next deadly earthquake. Intriguingly, these grim predictions of experts are also supported by shoals of dead fishes which from time to time are washed out on beaches of New Zealand. This is because the unique attribute of these fishes is that they are of the same species and sizes. (Cases of such washing out dead fishes are described in item #C5 of the separate web page [newzealand.htm](#).) In turn, as I described this in item #D4 above on this web page, the only known phenomenon which can explain such mass deaths of identical fishes, is the resonating of their bodies with vibrations generated by compressed tectonic plates. So it seems that in the vicinity of New Zealand a really deadly earthquake is just brewing.

To be even worse, to Petone only two roads lead, both of which pass through high mountains that in case of an earthquake become completely intransient. So in case of an earthquake or a tsunami, Petone becomes a kind of "death trap" to which no help can get. In such a situation no-one should be surprised that in order to sleep peacefully I am vividly interested in estimating chances that a deadly earthquake or tsunami appears in Petone.

#I2. I live in the "range of destruction" of one out of three cities, which would need

to be affected by a catastrophe that could cause a "moral revival":

Fortunately, from the time when my country was still a decisively totalistic country, many people that fulfil the definition of "righteous" (from item #G2 above) still remain in it until today. Thus, a significant number of its areas still is NOT endangered by any catastrophe because these are populated by the required number of at least "10 righteous".

A possible confirmation, that time for a "morally renewing catastrophe" may already be approaching, are "small warning catastrophes" which increasingly trouble the country. These include floods, draughts, frosts, hurricanes, tornadoes, blackouts, public transportation breaks down, waves of criminality, etc. - for examples see descriptions from items #B2 and #B7 of the web page [seismograph.htm](#). Fortunately for me, these "small warning catastrophes" always carefully avoid hitting Wellington near which I live. These mainly trouble cities of Auckland and Christchurch.

From my investigations to-date how such big and final "morally corrective catastrophes" are served, appears that if the "corrective intelligence" will be forced to serve one of them to New Zealand, then for the destruction is to be selected mainly one amongst its 3 politically and economically most important cities, namely Wellington, Christchurch, or Auckland. This is because only a destruction with a catastrophe of one amongst these 3 cities would introduce a sufficient social changes to force the "moral renewal" in the entire country. Unfortunately for me is, however, that the flat that I am hiring is located in the "range of destruction" from one of these 3 cities, namely from Wellington. This explains why I am so vividly interested what are estimates of the chance for a deadly catastrophe in that particular city.

#I3. The body of evidence which confirms, that the close proximity of "10 righteous" really eliminates cataclysms - therefore in Petone I can sleep relaxed and do not need to worry:

In order to estimate the level of endangering Petone with a deadly catastrophe, I counted the number of these "righteous" (described in item #G2 above) who live permanently in the "range of destruction" from the flat that I am hiring. In order to count them, I firstly estimated where are borders for the "range of destruction" from the township of Petone. It turns out, that these borders are quite wide. Petone lies by the shore of a sea bay and at the outlet from a long valley pointed into sea that from both sides is towered by two mountain ranges.

Along the centre of this valley runs one of the most destructive geological "faults" - that is a section of this famous "Pacific Ring of Fire". In the valley several towns are located which surround Petone. On the northern side of Petone is located a town called Lower Hutt, while on the southern side is the city of Wellington - for which Petone is a kind of suburb. Thus, if a earthquake, a tsunami, or any other catastrophe hits Petone, for sure it would also destroy at least that Wellington and Lower Hutt, if not further towns as well located in the same valley. Therefore, to the "range of destruction" in which I should count the number of "righteous", independently from Petone I must include also at least Wellington and Lower Hutt.

As my counting indicates, in the "range of destruction" from Petone 9 people live whom I know in person and who fulfil the definition of "righteous" - all of them approximately at my age, or even younger. But because I do NOT know all people that live in the "range of destruction" from the flat that I am hiring, there is a significant probability that nearby lives also at least one more unknown to me "righteous", or perhaps even several of them. Besides, even if such a "10th righteous" would NOT live near Petone, I believe that myself I also fulfil that highly demanding definition of a "righteous". Thus, in practice the condition of God that in the "range of destruction" from the flat that I am hiring lives at least "10 righteous", is surely fulfilled for Petone. This fulfilment is even confirmed by the surprisingly "friendly" behaviour of nature in Petone - exactly as this is described in item #14 below. What even more interesting, the weather in Petone and in Wellington is ruled by its own laws and refuses to obey rules and laws that are known to climatologists. Therefore, official weather forecasts very rarely fulfil for Wellington and for Petone. No wonder that, for example, from the article "Keeping track of Wellington winds won't be a breeze" from page A17 of newspaper [The Dominion Post Weekend](#) (issue dated on Saturday-Sunday, February 5-6, 2011) stems, that weather "experts" are unable to even explain what is the precise mechanism which generates powerful winds in the city of Wellington. After all, since areas which surround Wellington (e.g. so-called "Kapiti Coast", Wairarapa, or Nelson) do NOT have such winds, also Wellington should NOT be so windy. For this reason, if for example, a frost, hurricane, tornado, flood, or even a greater rainfall is approaching, it simply skips through Petone without causing any greater damage - although usually it gives a serious trouble already in neighbourly towns. In order to support with evidence this my empirical finding, that in Petone itself, and close to it, the weather and the nature behave "friendly" towards people, but disobediently towards known to experts rules of weather behaviours, I am going to list here several real-life cases. In these cases the raging elements are described, which tormented significantly other towns and which passed also through Petone, but which always treated Petone in shockingly friendly way. Each of these cases the reader can verify if wishes, as data and descriptions of it, as well as the weather situation which accompanied them, are accessible on web pages of newspapers referred here, and also can be checked in archives of television news from that time. Here are examples of such cases:

1. The cloud giving birth to tornadoes. A good example of just such a case was the "atmospheric phenomenon" described in the article [1#13] entitled "Southerly buster hits Wellington, ripping off roofs, and halting trains", from page

A1 of New Zealand newspaper "[The Dominion Post Weekend](#)", issue dated on Saturday-Sunday, March 13-14, 2010. This phenomenon was a [lens-shaped cloud looking as a giant UFO vehicle](#), which flew along almost the entire New Zealand, generating a hurricane-like swirling wind which spread chaos and destruction on its path, torn trees and roofs, etc. This cloud sometimes even generated [mini-tornadoes](#) on its peripherals. This intelligently behaving weather phenomenon left a trail of destruction almost on the entire its path, including Wellington - to which it reached around 4:30 pm that Friday. But when after Wellington it reached Petone, it just friendly scared of few passers-by through breaking a several branches on trees, then it flew further. However, already in the next town after Petone (i.e. in Lower Hutt) it again started to rage, barricading the road, collapsing trees, and stopping trains.

2. Intense rains that induced floods. Another example of destructive weather phenomenon which also illustratively confirmed this rule of omitting the settlement of Petone without causing any serious damages in there, were two-weeks prolonged disastrous rains which affected New Zealand in second half of May and the beginning of June 2010. These rains caused serious floods, landslips, evacuations of settlements, and destruction of roads, both on the northern as well as on the southern end of the long like sausages main islands of New Zealand. But in the centre of these islands, just where Petone and my flat is located, these rains only watered the dried soil without causing practically any damages. On the subject of these floods-inducing rains and their consequences, alarming articles were published in New Zealand newspapers almost every day, e.g. see the article [\[2#13\]](#) "Heavy downpours to hamper clean-up operations", from page A5 of newspaper [The New Zealand Herald](#) issue dated on Wednesday, May 26, 2010; the article [\[3#13\]](#) "After the floods and a landslide, now get set for bitter cold and snow", from page A3 of New Zealand newspaper [The Dominion Post](#), issue dated on Thursday, May 27, 2010; the article [\[4#13\]](#) "Nature's fury", from page A1 of newspaper [The New Zealand Herald](#) issue dated on Wednesday, June 2, 2010 (which article describes and illustrates with photographs a cataclysmic flood from the area of New Zealand called the "Bay of Plenty" - which is distant from Petone only by a length much shorter than span of the low-pressure weather system which caused these floods, however still the same weather system has NOT affected the township in which I live); or the article [\[5#13\]](#) "Residents flee homes as Whakatane hit by water bomb", from page A4 of New Zealand newspaper [The Dominion Post](#), issue dated on Thursday, June 3, 2010 (which article discusses quantitative data of catastrophically powerful rainfall in that area called the "Bay of Plenty").

3. The earthquake from Christchurch. Still another confirmation of the protective significance of these "10 righteous", was the powerful earthquake the arrival of which I predicted already several months earlier and carefully announced it in the content of this web page. This earthquake hit the city of Christchurch on Saturday, 4th September 2010. (The description of this earthquake from Christchurch is provided in item #C5 of the separate web page named [seismograph.htm](#) - devoted to the description of the telepathic device for remote detection of impending earthquakes, and in item #P5 of the web page named [quake.htm](#) - devoted to the description of methods of defence against any cataclysms, which methods are based on work of mechanisms of morality.)

As I explained this here in item #I2 above, Wellington (and thus also Petone) belongs to 3 major cities of New Zealand, one of which must be destroyed by a cataclysm, if it turns necessary that **God** carries out the forced moral and philosophical renewal of that country. In addition, from the scientific point of view, Wellington has incomparably higher chances of being hit by a powerful earthquake, than both remaining amongst these 3 cities, means than Auckland or Christchurch. After all, it is exactly underneath of Wellington that the deadly "Ring of Fire" is passing, while it runs rather far from Christchurch and from Auckland. Also, whichever kind of philosophy or behaviours start to dominate over the rest of New Zealand, the origins of this always can be traced to Wellington. After all, Wellington is the capital where politicians make all decision and from where all laws are issued. However - as it turned out, for experiencing series of destructive earthquakes (which started in 2010, lasted throughout the entire 2011, and still continued in 2012 - when I was updating this item), God selected Christchurch. (One can speculate that this may have something to do with the name "Christchurch" which is especially "obliging" - as this explains item #G2 on the web page named [prophecies.htm](#).) What also is interesting, that first powerful earthquake took place when I just was on my vacation in Kuala Lumpur, Malaysia.

4. A week long cold storm. Starting from Saturday, 18 September 2010, for the entire next week, New Zealand was battled by the cold storm which froze to death thousands of lambs on paddocks, interrupted electricity supply, collapsed sport stadium in Invercargill, blocked numerous roads, interrupted communication, and flooded farms. During the week of that storm television was full of reports from destruction, while newspapers were filled with articles of the type "Chaos as big blow hits" from page A1 of the New Zealand newspaper [Weekend Herald](#), issue dated on Saturday, September 18, 2010; or "Three days of storm leave trail of damage" from page A3 of the New Zealand newspaper [The Dominion Post](#), issue dated on Monday, September 20, 2010. (This last article describes also, amongst others, the collapse of the roof of almost a new stadium in Invercargill, described also in 1 from item #E1 of the web page named [rok_uk.htm](#).) But in spite that almost the entire New Zealand was battered by this storm, Petone in which I live almost day after day had sunny weather and just a weak wind - as if God intentionally emphasized that it is a township with very special treatment. What even more interesting, already in a nearby town named "Lower Hutt" the lightning from that storm hit and burned a house (although its female inhabitant was saved) - this lightning is described in the article "Lower Hutt woman's lucky strike", from page A1 of the newspaper [The Dominion Post Weekend](#), issue dated on Saturday-Sunday, September 18-19, 2010.

5. The flood of "once in 150 years" in nearby "Golden Bay". Not far from Petone, because just on the opposite side of the narrow "Cook Straight", lies an area called the "Golden Bay". Actually, if not the mountain range which hides it, then the "Golden Bay" would probably be visible from Petone. On 28th December 2010 the area of it was destroyed with a storm and a destructive flood. Mass media described this flood as appearing once per 150 years - see the article "Clean-up begins after storm inflicts worst flooding in 150 years" from page A2 of newspaper [The New Zealand Herald](#) (issue dated on Thursday, December 30, 2010). Shockingly, on the day of that cataclysmic storm and flood in the nearby "Golden Bay", in Petone sun was shining. (Notice that I am also describing this

"flood of once in 150 years" in 9 from item #C5 on the web page [seismograph.htm](#).)

6. Deluge from the "king tide" and storm in Auckland on Sunday, 23rd January 2011. On that Sunday in Petone was just an ordinary rain, which watered nicely local soil and vegetation. It was too-insignificant to e.g. stop me from visiting a local library. But when in evening I switched on the television set, I got a shock. The entire North Island of New Zealand, including Petone in which I live, was that day covered with a hostile looking elliptical low-pressure cloud, similar in shape to storm clouds of powerful tropical typhoons. This storm flooded the city of Auckland and "Bay of Plenty" with teens of centimetres of rain water. Simultaneously the so-called "king tide" additionally increased with the sucking action of this low-pressure storm, lifted up waters of the ocean, so that these waters also flooded streets of the city. In evening television news at channels "3" and "Prime" reported was an incident of recent construction of a low wall which supposed to separate ocean waters from the city. During the construction of that wall supposedly inhabitants of nearby houses begged the engineer who supervised these works, to build much higher wall. But the engineer ignored the requests of locals, claiming that according to his calculations sea never lifts itself so high. Unfortunately, the sea did lift that day and flooded the city - interesting whether that engineer will be made accountable for such "shabby work". In the result, in television shown were streets of Auckland turned into fast rivers, sea waves raging in the city, and people standing up to knees in water inside of their own kitchens. So the same low-pressure cloud which in Petone just caused a beneficial watering of gardens, for Auckland turned out to be a source of cataclysmic deluge. Photographs from that deluge, and the map of destructions caused by it, can be viewed in the article "Nature's brutal king hit" from pages A1 and A5 of newspaper [The New Zealand Herald](#) (issue dated on Monday, January 24, 2011). This deluge from Auckland was in fact the first more serious cataclysm that affected that city. Before the deluge Auckland was only gently "warned" with electricity "blackouts" and strange failures of public transport. So it seems that either Auckland only just entered into the level of practicing the [philosophy of parasitism](#) which God is NOT prepared to tolerate any longer, or that previously that city was protected by these "10 righteous" - but just now for some reasons their number dropped down below 10 that are minimum required. Whichever of these two reasons caused that Auckland just joined cities of New Zealand "punished" by God with cataclysms, still for sure we soon will hear more on its subject.

7. Battering of the city of Auckland and its vicinity by the tropical cyclone "Wilma". In just 6 days after the flood described in the previous item, i.e. on Saturday evening, 29th January 2011, almost the entire north of New Zealand, including the city of Auckland, was poured with water and battered with winds of the tropical cyclone named "Wilma". Reports of destructions from that cyclone are summarised in the article "Cyclone Wilma leaves sodden trail of damage in its wake" from page A4 of New Zealand newspaper [The Dominion Post](#), issue dated on Monday, January 31, 2011. Also this time only an outer (weak) edge of the cyclone rolled over Petone. It watered soil with quite a good rain, and sawed wild seeds with string winds, but people and properties were left unharmed. As it shows, God keeps His promise, and omits Petone with

cataclysms, thus confirming that this township is really protected by "10 righteous".

8. The prophecy of Maori visionary. On Sunday, 6th February 2011, New Zealand celebrated yearly holiday of native Maoris called the "Waitangi Day". As usually on this occasion, crowds of Maoris, as well as many governmental dignitaries, took part in official celebrations. To the surprise of these crowds, Maori visionary (which is also a priest in one of New Zealand churches) took the opportunity of his formal speech during this holiday, to announce publicly his vision which he had 38 years ago. The vision which he revealed publicly was repeated that day in evening news of New Zealand television channels, and also a day later was published in the article entitled "Kaumatua's earthquake prophecy will come true ... eventually" from page A1 of the New Zealand newspaper [The Dominion Post](#), issue dated on Monday, February 7, 2011. In his vision he saw the city of Wellington hit by a deadly earthquake. He saw how streets of the city were paved with body bags. He saw how houses on slopes of Wellington hills just disappeared. He saw how roof of the parliament building mixed with ruins of surrounding houses. He saw how waters of the Wellington harbour firstly receded, then with a fury returned to hit the city as a deadly tsunami. In his vision all this destruction is to take place in the month of June - but he did NOT know of which year. Because he undeniably believed in the supernatural truth of this vision, for 38 years each June he looked with a worry whether it fulfils. But so-far the earthquake did NOT happen. So he decided to warn other people about it in his public speech. (I personally understand his certainty, as I myself also had a vision of visiting the village of Stawczyk in a distant future - as I described it in item #J3 of the web page named [wszewilki jutra uk.htm](#) and in item #C4 of the web page named [stawczyk uk.htm](#). So I know how certain one is about the truth of whatever is shown in such visions.) Although many took highly sceptical stand regarding this Maori vision, generally almost everyone agrees that Wellington already passed the date of next such a powerful earthquake, and that there is no doubt that one day it is to come, only we do not know yet "when" it is to happen. After all, Wellington is located on a powerful geological "fault". I would add to it, that as a capitol of the country, Wellington is also a "cause" and a "brain" of every situation for which other areas of New Zealand already take hammering from God since a long time. After all, if e.g. New Zealanders do NOT discipline their children according to requirements of the Bible - as this is described in item #B5.1 of the web page [will.htm](#), the "cause" for it are laws and orders issued in Wellington. If the entire New Zealand is infested and tormented by immoral monopolies - as this is explained in (1) from item #E1 of the web page [rok uk.htm](#), the "cause" of this are friendships, encouragements, and permits initiated in Wellington. Etc., etc. In other words, both - according to logic, as well as according to the prophecy of that Maori visionary, Wellington should be "punished" with a significant cataclysm even much earlier than all other places described in this item, as well as in items #C5 and #C5.1 of the web page [seismograph.htm](#). Since such a cataclysm so-far omits Wellington (and thus also omits Petone in which I live), the only known explanation for this omitting is the protective power of the presence of these "10 righteous" in that city and in the vicinity of it, which still protect these places against unavoidable cataclysms. So in spite that probably the date of arrival of a next cataclysms to Wellington and to

Petone is already overdue, still the prophecy described here is NOT going to fulfil itself until the time when for some reasons the number of "righteous" individuals which live here drops below the protective "at least 10".

9. A powerful storm which raged over New Zealand for over a week, starting from 26 April 2011. Destructions from that storm were described in a number of articles, e.g. in [1#13(9)] "Gale-force fury" from page A1 of newspaper [The New Zealand Herald](#), issue dated on Wednesday, April 27, 2011. This storm is also described in caption under "Fig. #M1" from the web page [telekinetics.htm](#), because probably it was a major reason for which its winds drifted to the beach in Petone one amongst these famous in the world "yellow ducks" which were dumped into the sea near eastern coasts of the USA, and then drifted with ocean currents over practically the entire world. This powerful storm caused a range of destruction and losses in practically every direction from Petone. When battering New Zealand it encircled a large arc the centre of which was in Petone, but the Petone itself was left by it untouched (i.e. during that storm in Petone just rained as usually and there was a typical for Petone wind). The scale of destruction from that storm can be traced from articles that appeared at that time in New Zealand press. The storm e.g. in so-called "Hawkey's Bay" flooded houses with so rapid and so powerful deluge, that people needed to be evacuated by helicopters. Their houses were flooded, their stock (cows and sheep) was drowned, roads were destroyed with landslides, bridges damaged, electric power-lines were broken, water supply disrupted, etc. - for more information see e.g. articles [2#13(9)] "Heavy rain 'worse than Bola' wreaks havoc in Hawke's Bay", page A3 of New Zealand newspaper "[The Dominion Post](#)", issue dated on Friday, April 29, 2011; or [3#13(9)] "Storm battering gets fierce", from page A1 of newspaper [The New Zealand Herald](#), issue dated on Monday, May 2, 2011. What puzzles me most, is that this storm was the first which caused also a significant destruction in the opposite to Petone suburbs of Wellington (i.e. in the city to which Petone is a suburb). So clearly for some reasons recently that Wellington ceased to be protected by "10 righteous" - however, such "10 righteous" still protect Petone.

10. The storm which to south-west from Petone flooded vicinity of the "Grey river", while to north-east from Petone (i.e. in Masterton) killed a person. In spite that this storm was passing over Petone, and that it spread noticeable destruction in both opposite directions from Petone, in Petone itself it was almost unnoticeable. The storm, and its victims, are described and illustrated in the article [1#13(10)] entitled "Couple crushed in weather chaos" from page A1 of newspaper [The New Zealand Herald](#), issue dated on Tuesday, November 22, 2011.

11. The earthquake which damaged a building in Wellington, while in nearby Petone was hardly noticeable. The earthquake measuring 5.7 on the Richter's scale hit Wellington at 19:19 on Saturday, 3 December 2011 - damaging almost a new building which was a headquarter for electricity company named "Meridian". A description of this earthquake and destruction that it caused is provided in the article [1#13(11)] entitled "New city building damaged by quake" from page A1 of New Zealand newspaper "[The Dominion Post](#)", issue dated on Monday, December 5, 2011. Because of the damage to just this one building, it is worth to ask a question, whether this "Meridian" is e.g. responsible for an

uncontrolled (immoral) increase in prices of electricity in New Zealand? - for more detailed data see the article "[Power chiefs' mixed fortunes](#)" from page C1 of the New Zealand newspaper [The Dominion Post](#), issue dated on Thursday, October 22, 2009, or see the article "[Power rises defended amid 'windfall profits'](#)" from page A2 of the New Zealand newspaper [The Dominion Post](#), issue dated on Friday, December 12, 2008. (Notice that facts described in these articles took place in times when because of the world's economic crisis normal New Zealanders were forced to "tighten their belts".) After all, these almost unjustifiably-high prices of electricity (i.e. the electricity which New Zealand generates almost for free with its numerous river-dams which already are paid of), are the reason for which many poorer New Zealanders are immorally subjected to suffering - for example, for retired people because they cannot afford the use of electricity for heating their flats, while for unemployed people because they cannot afford to cook their meals on electricity. In turn the number of such increasingly poorer people rapidly grows in NZ, e.g. see the article [\[2#13\(11\)\] "NZ rich-poor gap widens faster than rest of world"](#) from page A6 of newspaper [The New Zealand Herald](#), issue dated on Wednesday, December 7, 2011. In this situation 42% increase of over million dollar salary of the "Meridian Energy" CEO, described in the article [\[3#13\(11\)\] "Public CEOs hit paydirt"](#) from page A1 of newspaper [The New Zealand Herald](#), issue dated on Monday, March 26, 2012, is NOT just immoral, but also arrogant. So, is it possible that the damage only to the building of Meridian means that there were "moral reasons" for which from the entire Wellington hit by this quite strong earthquake, meaningfully only the building of Meridian was damaged? Should we now expect that next earthquakes are to damage headquarters of some other New Zealand companies which immorally induced human suffering, for example that of the monopolistic company which lifted prices of milk produced in New Zealand to such a high level, that milk become unaffordable to a majority of ordinary New Zealanders? - e.g. see the article "Price families pay for milk an outrage, says health chief" from page A7 of New Zealand newspaper [The Dominion Post](#), issue dated on Wednesday, February 16, 2011, or the article "Milk products tipped to get even pricier" from page A2 of newspaper [The New Zealand Herald](#), issue dated on Thursday, February 17, 2011. (Notice that New Zealand is one amongst the biggest producers of milk in the entire world. Unfortunately, inhabitants of it are ruthlessly robbed out of benefits from so high production of milk by the monopolistic institution which, according to the information provided in evening news on channel 3 of television New Zealand on Wednesday, 8 February 2012 at 6 pm to 7:30 pm, pays to farmers just 65 cents per litre of milk, but then allows the same milk to be sold in supermarkets for the price around four times higher.) More information about numerous "monopoles" which gradually "suffocate" New Zealand, is provided in item #H2 from the web page named [humanity.htm](#) and in item #D5 from the web page named [fruit.htm](#).

12. "Worst in 50 years" flood, which devastated the town of Nelson and the vicinity of it. This deluge is described e.g. in the article [\[1#13\(12\)\]](#) entitled "Torrent sweeps farmer outside" from page A5 of New Zealand newspaper [The Dominion Post Weekend](#), issue dated on Saturday, December 17, 2011. The town of Nelson is almost at "doorsteps" of Wellington and Petone, as it is located on the opposite than Wellington side of a narrow "Cook Strait". But when on

Wednesday and Thursday, 14-15 December 2011, Nelson was hit by a "water bomb" and a destructive flood, in Petone hardly one could see any rain. In fact, during recent years the weather in Wellington and in vicinity of it (e.g. in Petone) become so pleasant and so "friendly" towards people, that it surprised many locals, and the untypical pleasantness of it become even commented with amazement in the evening television news from channel 3 of the New Zealand television at 6-7 pm on Tuesday, 27 December 2011. After all, in times that proceeded my shifting to Wellington, this "windy city" was known from its treacherous weather and had an opinion of the one amongst most stormy cities of New Zealand, with wet, windy and difficult to take weather.

13. The announced improvement of situation with air pollution in Petone. The present economic depression in the world, causes that almost everywhere the so-called "protection of the environment" is pushed aside and neglected completely. After all, the immorally acting capitalists which cause the present catastrophic pollution of the air, water, soil, forests, etc., have now an excellent excuse for their immoral activities of poisoning our planet, by claiming that they are forced to "fight for survival" in difficult economic conditions, and that they do NOT have financial reserves to also take care of the natural environment and our planet (which "lack of reserves", however, do NOT stop many amongst them from accomplishing higher than usual financial profits). Thus, everywhere the pollution of the air, water, soil, forests, etc., are now rapidly escalated. Therefore I was nicely surprised by the announcement published in articles [1#13(13)] "Residents hail Exide closure" from page A1 of newspaper [The Dominion Post](#), issue dated on Thursday, February 16, 2012; and [2#13(13)] "Exide plant closure plan within week" from page A6 of New Zealand newspaper [The Dominion Post Weekend](#), issue dated on Saturday, February 18, 2012. In these articles the announcement was made that one amongst the worst smelling, unclean, and dangerous plants of New Zealand, which employed only around 40 workers but since a long time polluted ghastly the air and the environment of Petone, is to be closed completely by 31 March 2012. This plant, belonging to "Exide", processed and recycled old batteries. From its chimney and ventilators were continually streaming to Petone large jets of heavy, sticky, smelly smoke and dust, full of poisonous to human bodies, heavy elements, powdered lead, and various murderous chemicals. In the result of these pollutions, inhabitants of Petone almost continually were sick on various lung illnesses, some children with degeneration were born, soil, grass, and everything that grew here was covered with a layer of poisonous substances which eventually make their way to human organisms, while collars of shirts were covered with a brown layer already after a few hours since they were worn. For as long as I live in Petone (i.e. since 2001), I am hearing how local inhabitants hopelessly fight and loose numerous legal battles for the closure of this plant. But whatever they did so-far, it went to no avail. After all, which decision maker is to listen to voices of ordinary people, when he has also the choice to listen to persuasion of capitalists and their capital - while we all know that "money talk". In the result, for all these years the factory arrogantly blew pollutants straight in the face of inhabitants of Petone, and all people knew that it is to take a miracle to close it down and to cease the further polluting. And herewith the miracle has happened right in February 2012 - as I believe, only because since fairly recent

time Petone and the vicinity of it started to be inhabited by that required minimal number of 10 "righteous". The fact, that the closure of this factory had a character of supernatural intervention - NOT a morally intended action of human decision-makers, in the best way can be deduced from the information provided in the article [3#13(13)] "Exide was wrong; NZ not a backwater" from page B4 of the New Zealand newspaper [The Dominion Post](#) (issue dated on Monday, February 20, 2012), and the article [4#13(13)] "Council seeks more info on Exide shutdown plan" from page A4 of newspaper [The New Zealand Herald](#) (issue dated on Wednesday, March 7, 2012). These articles reveal, that the factory was NOT closed because of the pressure from public opinion or because of someone's morally correct decision. It was closed only because market mechanisms caused that Korea and Philippines started to pay much more for used New Zealand batteries than the price which for these batteries were prepared to pay owners of the Exide factory. Owners of Exide even resorted to court case in their trying to stop that lucrative export of used batteries, and to still be able to buy them for almost nothing. In turn the fact that while doing this they poisoned the environment and inhabitants of Petone and that they spread powdered lead, did NOT bother neither politicians nor decision makers. These facts prove that the closure of the factory was caused by market mechanisms controlled by God and conditioned by human moralities, NOT by morally correct actions of human decision makers or politicians.

It also appears, that God NOT only restores the cleanness to the environment of Petone, but also intends to prove soon to all people opened to truth, that this restoration of cleanness is NOT just a coincidence. This is because according to the article [5#13(13)] "US High-Tech firm considers making furnaces in Hutt" from page C11 of New Zealand newspaper [The Dominion Post](#), issue dated on Monday, March 3, 2012, some American firm which produces furnaces decided to open a factory in the township called "Lower Hutt" which is a close neighbour of Petone. In turn it is known, that producers of furnaces are famous in the world from spreading pollutions highly detrimental to health (i.e. chemical, ceramic, asbestos, as well as also dangerous heavy metals). So probably that firm is "pushed out" of the USA just because of the pollutions that it generates. Thus, perhaps, it choose New Zealand, which is almost deprived of anti-pollution laws, to be able to continue without problems its dangerous emissions. So God will have an excellent opportunity to prove to people who are open to truth, that also that firm is going to meet a similar fate as Exide. For me personally there will be an interesting opportunity to watch further (and to report outcomes in this web page), how God is going to handle the matter of tempering pollution ambitions of that firm. For example, is God going to cause, that the owner of that American firm rapidly gets heart attack or falls a victim of deadly accident, or bankrupts, or e.g. the firm is going to be troubled by continuous strikes, labour problems, sabotages, accidents, cataclysms, legal problems, financial crimes, etc., until finally it will be forced to leave New Zealand - if we live we will see!!! The fact is, that if someone acts contradictive to intentions of [God](#) then NO-ONE would want to be in his shoes!!!

14. "Weather bomb" which went over Petone in weekend on 3rd and 4th March 2012. Climatologists did NOT know how to name the phenomenon which affected New Zealand in that weekend. So they called it a "weather bomb". This

is because the phenomenon was something between a tornado and a hurricane. Means, it carried very strong winds - in gusts reaching 150 km per hour, a wave of cold, and simultaneously powerful rains. It moved across New Zealand along the line that links so-called "Taranaki" (with its central town of New Plymouth) and "Wairarapa" (with its central town of Masterton). So the destructive edge of that "bomb" went also over Petone. But in spite that in other towns it caused damages of millions of dollars, in Petone it just watered flowers slightly more generously than usual, and persuaded people to spend the weekend in homes for change. This non-typical "weather bomb" was described more comprehensively in articles [1#13(14)] "Weather bomb will be like a bull in a china shop" from page B2 of New Zealand newspaper [The Dominion Post Weekend](#), issue dated on Saturday, March 3, 2012, and [2#13(14)] "Millions in damage after gale battering" from page A3 of newspaper [The Dominion Post](#), issue dated on Monday, March 5, 2012.

The most meaningful effects of this "weather bomb" were described in the article [3#13(14)] entitled "High winds and floods hit Wainui" from page 15 of the local newspaper [The Hutt News](#), issue dated on Tuesday, March 6, 2012. The point is that the township Wainuiomata described in that article is located just around 2 km from Petone, while it is separated from Petone just by a narrow mountain range. Because of this vicinity to Petone, one would expect that it is to be hit by exactly the same winds and rains as Petone. But Wainuiomata does NOT belong to the same "area of destruction" as Petone. In addition, the majority of its inhabitants belong to a different moral category than inhabitants of Petone. (E.g. a noticeable proportion of inhabitants of Wainuiomata constitute inmates of the "Rimutaka Prison" located in there. In turn it is known that in prison rarely land people that act pedantically moral.) Therefore, the moral difference of Rimutaka causes, that the entire valley in which lies the township of Wainuiomata, God qualifies as a "bad valley". Almost continually it is troubled by various disasters. Thus, during the "weather bomb" discussed here, the fire brigade from Wainuiomata was called to around 20 cases of ripping off roofs by winds, breaking trampolines to garages and homes, and to flooding of houses and a school. Several people were injured by objects blown by winds. Trees and power-lines were blown by powerful gusts, while a car driver only due to a miracle escaped unharmed from a collision with one of them. Etc., etc. All these happened when in the nearby Petone almost nothing similar took place.

So the reflection resulting from that "weather bomb" is, that Petone (and by it also Wellington) is a kind of "exception" located in the very centre of a "cataclysmic triangle". While the entire this "cataclysmic triangle" is repetitively "lashed" by various cataclysms, Petone located in the centre of it always comes out without any harm. In turn this triangle is including as many as three provinces of New Zealand, namely so-called "Taranaki" - with the central town of New Plymouth, "Wairarapa" - with the central town of Masterton, and "Tasmania" bordered by three towns, i.e. by Nelson, Westport and Graymouth. Furthermore, just by Petone, separated only by a narrow mountain range, is located also that "bad valley of Rimutaka" which also repetitively is troubled by various disasters and cataclysms. What is the most meaningful, when one analyses cataclysms that hit that triangle, then neither geography, nor geology, nor any attributes of natural phenomena, do NOT allow to explain "why?" these cataclysms attack with

a fury all three provinces of that triangle, but they always avoid hitting Petone located in the centre of it. Thus, the only cause which allows to explain the omission of Petone by cataclysms, are differences in morality of inhabitants, and the presence of these at least "10 righteous". After all, according to the descriptions from items #H3 and #H4 of the web page named [quake.htm](#), such repetitive troubling of given communities by increasingly powerful "weather anomalies", represents warning of inhabitants of these areas by God, that their philosophy starts to reach already the punishable level of the [philosophy of parasitism](#), and thus if these communities do NOT undertake actions aimed at changing their philosophies or at settling in their areas these required at least "10 righteous", then send to them will be even more destructive kinds of cataclysms. At this point perhaps it is worth that reader also checks, whether his place of living is NOT by any chance warned by God in just a similar manner.

15. The destructive storm which lashed the South Island of New Zealand on 20 to 22 March 2012. This storm was described, amongst others, in articles [1#I3(15)] "Family run for their lives as gale rips off roof" from page A5 of newspaper [The New Zealand Herald](#) issue dated on Wednesday, March 21, 2012, and [2#I3(15)] "Brace for more violent weather" from page A3 of New Zealand newspaper [The Dominion Post](#), issue dated on Wednesday, March 21, 2012. The storm caused most damages in the close to Petone province Taranaki, and also in Northland - at the northern tip of New Zealand. In the nearby New Plymouth (central town of Taranaki) its winds reached 113 km/h causing tearing trees with roots, falling powerlines and cars, and ripping off roofs. A spectacular example of destruction caused by it is shown on photographs that illustrate the article [3#I3(15)] "End of line on cards for train track" from page A5 of New Zealand newspaper [The Dominion Post](#), issue dated on Wednesday, March 28, 2012, and article [4#I3(15)] "Slips leave 100 m of track dangling" from page A6 of newspaper [The New Zealand Herald](#) issue dated on Wednesday, March 28, 2012. These photographs show a section of railway line around 100 metres long, which is dangling high in the air over a cliff. The storm caused landslips on both sides of a deep valley which previously was crossed by the railway line. Because now there is NO solid ground to support the track, while crossing this valley in a different place would be too expensive and uneconomical, probably the entire railway line linking towns Napier and Gisborne must be liquidated because of this storm. The storm caused also a widespread floods. But in Petone the rain and wind was almost indifferent from these that normally prevail in there.

Watching the course of newest events it is difficult to oppose the impression, that in recent times New Zealand started to receive increasingly frequent and strong battering from the "mother nature". In turn, knowing from the content of web pages [quake.htm](#) or [morals.htm](#) "for what" the "mother nature" lashes at people, it is enough to look at headings of present New Zealand newspapers, or to view television news of that country, to understand "why" this lashing of nature so intensifies lately and "what" New Zealanders should start to do to stop further escalation of it.

That storm started to ease on Friday, 23 March 2012. So when in hours of "lunch" sun started to shine over Petone, I went for a walk along the local beach. Over there my attention again attracted the phenomenon of ideally elliptical "window in the sky" which existed then exactly over Petone in the thick layer of

clouds, and which caused that sunny weather which convinced me to go for a walk. The "window" was so located on the sky, that apart from Petone no other nearby township received any sun. Such elliptical "windows" I saw over Petone already several times earlier (the most easy is to see and notice them from the local beach) - and I even frequently wondered how they could be documented photographically without the need to use an airplane or satellite which would be required to catch on a single photograph their entire size and their almost ideally elliptical shape. (Apart from Petone such precisely formed elliptical "windows in the sky" I did NOT see in any other place on the Earth.) That day it turned out that the window was so located, that with my ordinary photo-camera I managed to photograph both its rounded ends from the edge of beach along which I was walking - pointing the lens of my camera towards the south and then towards the north. In turn the shape and location of these ends of ellipsis documented how the entire ellipsis was located over Petone. Both photographs which I took then are shown in "**Fig. #13**" below. They document photographically that God on His discrete manner lets to know to interested people, that Petone receives from Him a rare "special treatment". After all, while the entire North Island of New Zealand was covered with a thick layer of dense clouds - which are also visible on my photographs, over Petone there was a clear blue sky. But in order to also provide the explanation to sceptics - as God always does it, this His confirmation of a "special treatment" for Petone, He expressed onto manner that is typical for God - i.e. such which contains in itself as many as at least three (3) independent explanations described in item #C2 of this web page (and even better described in item #C2 of the web page [tornado.htm](#)).

In order to avoid extensive enlarging of this web page, the presentation of further examples of cataclysmic phenomena which carried the potential to harm Petone, but which skipped through that town without making any significant destruction, is shifted to items #13 and #14 from a separate web page [petone.htm](#). So interested readers can find it over there - if they wish to additionally increase their knowledge on this subject.

* * *

At this point I should admit, that when for the first time I started to gather these listed above objective findings and scientifically documented data on the subject of differences with which God treats the town which is protected by these "10 righteous", in comparison to other towns sometimes located close by, I myself was quite sceptical. After all, God gives in His **Bible** tens of various promises - many out of which are already thousands years old. People in place of God would probably forgotten about many amongst these promises long time ago. But, as this is indicated by my checking, **God fulfils His promises to the letter**. In my case I was astonished when on the example of intelligent omitting the suburb of Petone by hostile weather anomalies, I started to notice and to experience in person, the precision with which these promises are kept by God.

The reliability and scientific tradition require, that all claims or promises are confirmed with the verifiable evidence. Until the time these are confirmed by the required body of evidence, one can consider them to be only a hypothesis, a speculation, or a promise. The status of a "confirmed fact" they obtain only after an empirical checking is completed and successful. If the above we relate to the promise from the Bible, that "the presence of at least '10 righteous' protects a

given city or community from a cataclysmic 'punishment from God' ", then until the time it was confirmed empirically, it also cannot gain the status of a "fact". But at the moment when I completed in person the checking described in this item, this particular promise can be considered to be the "empirically confirmed fact". I started to live in Petone on 12 February 2001. So in the year 2012 already 12th year of my living here begins. In this duration Petone was NOT hit by even a single cataclysms that would display a character of "God's punishment" (i.e. by the one which would destroy someone life-long work or which would take someone's life) - although in the meantime a number of just such cataclysms affected neighbourly areas. On the basis of this I am justified to state, that **the actual work of the "God's gift" which allows every group of at least "10 righteous" to protect effectively the area where they live from all forms of cataclysms, was already proven empirically by my verifying research which from the point of view of time-length and the variety of cataclysms being checked are even more extensive than many institutional research on healing properties of various medicines officially approved to use by medical sciences.**

Expressing the above in other words, I can sleep peacefully. If the area into the "range of destruction" of which Petone is included, is ever hit by an earthquake, a tsunami, or by any other destructive cataclysm, it will NOT happen before these "righteous" are going to disappear from there, means - considering my age, probably already beyond the span of time when I still will be present here.



(a)



(b)

Fig. #I3ab: A photographic documentation of one amongst these "windows in the sky" with shapes of an extended ellipsis, which repetitively open over Petone. The above "elliptical window in the sky" appeared over Petone on Friday, 23 March 2012, in the easing stage of the three-day-long destructive storm which on 20 to 22 March 2012 lashed the majority of the North Island of New Zealand, and which is described in (15) from item #I3 of this web page. But "windows" similar to the above I saw already earlier several times over Petone - always curiously analysing their attributes and wondering how I could document them photographically without the use of an airplane. Apart from Petone, such precise "elliptical windows in the sky" I have NOT seen so-far in any other place on the Earth. (Click on any above photograph to see it enlarged or to shift it in other area

of the screen.)

The repetitive appearance over Petone such "windows in the sky" with smooth edges and shapes of elongated ellipsis, cannot be scientifically explained by any known atmospheric phenomenon. These "windows" have shapes of elongated ellipsis (i.e. NOT round circles). Their centres of symmetry always seem to be permanently anchored just above my flat. (Because my flat is located near local beach, only their larger halves spread over buildings of Petone, while their smaller halves spread over the local beach and over nearest to Petone part of the sea-bay called the "Wellington Harbour".) They never envelope with their range any other human settlement from the neighbourhood of Petone. Furthermore, their edges are relatively smooth, looking as if someone precisely cut them in clouds. Also they do NOT drift with wind - as this is done by the layer of clouds amongst which they are "anchored", but simply they stay motionlessly over Petone until the time they dissipate. When they dissipate, simply in the entire their volume, on previously blue sky rapidly dense clouds begin to condensate. After a short time, these clouds cease to be distinguishable from the layer of clouds in which a given "window" was formed earlier.

The only atmospheric phenomena about which I know that also form similar, but "circular", "windows in the sky", are so-called "eyes of cyclones". Namely, in very centres of spinning weather formations called "cyclones", always exists a single ideally round "window", in which typically prevails calm and nice weather. But such "eyes of cyclones" display a number of attributes which significantly differ from attributes of these "windows in the sky" from Petone shaped like elongated ellipsis. Namely, they always are "circular", NOT elliptical. Furthermore, they are permanent, and they drift together with a given cyclone, NOT (like in Petone) appear just as motionless temporary forms "anchored" amongst moving clouds, then after around an hour they dissipate through condensation of clouds in their entire volume.

Fig. #I3a (left): A photograph of southern end of the elongated ellipsis of the "window in the sky" described here. It reveals how ideally elliptical are these "windows", and how they form a kind of motionless tunnel in the moving layer of dense clouds that reach almost to the ground. For example, on the right part of the photograph should be visible the panoramic view of Wellington - which city in good weather is well visible from that point of the Petone beach. But this thick layer of clouds, which reached down almost to the ground, hid completely that city. (The city of Wellington is partially visible on the photo from [Fig. #C1](#) on the web page named [cloud ufo.htm](#) - which also was taken approximately from the same point of Petone beach, and approximately in the same direction, as the above photograph.) Notice, that even the course of sea waves captured on this photograph significantly differ from a typical one. (Typically sea waves always align their course to be parallel to the line of beach.)

Fig. #I3b (right): The northern end of the elongated ellipsis of the "window in the sky" described here. This end was photographed from the same point on the Petone beach, as the southern end shown on "Fig. #I3a". Only that in order to capture it, after taking the photo "Fig. #I3a" with camera pointed towards south, I rotated the direction by 180 degrees and took the above photograph "Fig. #I3b" with the lens pointed towards north. (Unfortunately, I do NOT have an access to a helicopter, an airplane, nor a satellite, to capture this ellipsis in the overhead view

and to reveal the ideally elliptical shapes of it, nor the precision with which it opened exactly over Petone.) The shape and dimensions of this ellipsis reveal, that it was so formed that sun shining through it rewarded exclusively inhabitants of Petone. NO other neighbourly human settlement was included into the range of that "window in the sky". This fact, in my opinion, was a manner in which God subtly let inhabitants of Petone know, that so-far this township enjoys an exceptionally rare "special treatment", and that this treatment may be continued - if Petone as a whole puts an effort into fulfilment of moral requirements imposed by God. Therefore, in my opinion, inhabitants of Petone have a lot to loose, if they remain passive towards initiatives of the kind described in the article [5#13(13)] above, or described in the article [5#13(15)] entitled "Tobacco deal turns Petone into the big smoke" from page A1 of New Zealand newspaper [The Dominion Post](#), issue dated on Monday, March 26, 2012. (This latest article [5#13(15)] was then corrected by letter from a reader published under the title [6#13(15)] "Imperial Tobacco expansion is bad news" on page B4 of newspaper [The Dominion Post](#), issue dated on Thursday, March 29, 2012. The reader calculated in his letter, that each new employee working in there to produce cigarettes will cause in New Zealand the death of 15 people and will cost New Zealand 5.4 million dollars of losses in costs of medical care for victims of tobacco addiction.)

#13.1. Pity that it is impossible to check whether "10 righteous" could "project" at a distance to another "righteous" person their gift of protection from cataclysms?

There is a lot of experimental confirmations, that e.g. such a "gift from God" as healing, can be used at a distance. The healer gifted by God can be located in one end of the world, while the healed person can be in other end of the world, but if the healer "sends" his healing energy, then the healed person still is going to feel better. I myself was once healed in New Zealand by a healer who lived in Poland.

I described on various totaliztic web pages a method of defence against cataclysms, which is based on the abovementioned presence of at least "10 righteous" in the endangered area. An example of application of this method for the protection of entire cities or communities is explained, amongst others, in item #C5.1 of the totaliztic web page named [seismograph.htm](#), and in item #A2.3 of the web page [totalizm.htm](#). In the previous item #13 of this web page I also have proven empirically, that such a method of protection against cataclysms (served as "God's punishment") in fact do work in real life. Thus, the question which would be very valuable to check now empirically, is whether these "10 righteous" can also "project" their gift of protection against cataclysms, to a "righteous" person known to them who lives in a different than they area that is strongly endangered by cataclysms. After all, such a possibility of "projecting" this gift from God, would allow to protect against cataclysms also properties and

livelihood belonging to a "righteous" that would happen to be in the area deprived of the required "10 righteous".

It somehow happened, that I am in the situation which is especially privileged for such a check. After all, I am the creator of the [philosophy of totalizm](#) which can be considered to be a kind of the **"generator of people who fulfil the definition of a 'righteous' "**. This is because, if someone starts to pedantically practice in his or her life, the version of this philosophy called the "formal totalizm", then such a person almost automatically fulfils also the definition of a "righteous" revealed to us in the content of the Bible. Due to this, I was already contacted by many followers of my philosophy who pedantically practice the "formal totalizm". Some amongst them reassured me also, that because of my difficult life situation (described, amongst others, in my [autobiography from item #T3 of this web page](#)) they continually pray to God for my safety and for my life in peace. In this way, if really such a "projection" of the protection gift could be accomplished by "righteous", then this gift is projected to me already for a long time by much more than this minimal number of "10 righteous". In other words, if the "projection" of this special gift is acceptable to God, then wherever I would find myself, the area in which I would begin to live would still be automatically protected from cataclysms (served as "God's punishments") - no matter how many other "righteous" would live in there. After all, since this gift of God is "projected" to me by so many "righteous", then even alone I still should "represent" with my presence much more than the required number of "10 righteous". In turn, such a situation serves ideally towards experimental checking, whether this special "God's gift" can really be "projected" by several "righteous" people to a single selected "righteous" person who lives in a different than they area. After all, the only thing that is needed to experimentally check this, is to shift me to the area which is just to be hit by some incoming cataclysm intended by God as a "punishment", and then verify whether my presence in there is going to stop the arrival of this cataclysm.

Unfortunately, the above checking can be easily deduced theoretically, but the practical implementation of it for me turns out to be impossible. In spite that I am surrounded with areas about which it is known that soon they are going to be hit by cataclysms, financially I simply cannot afford to temporary shift over there. After all, since 2005 I am unemployed, and in addition - according to strange laws of the country, I am ineligible for even a smallest unemployment benefit. Thus, I must very carefully watch every dollar from my former savings. In turn, without an access to the required finances, such a checking is simply impossible.

I personally believe that the lack of possibility to carry out such checking, is a huge loss for our civilisation. After all, my circumstances (when the possible "projection" of this special gift from God is already occurring towards my person) are almost impossible to be recreated by other researchers. If anyone else tries to carry out such an experiment, probably he or she is going to get stuck already on the stage of completion of a team of these "10 righteous" who would "project" their gift to another distant "righteous". Therefore, probably the possibility of "projecting" this gift from God, will always remain only an "unverified hypothesis". This is pity, as real events seem to suggest, that such a "projection" actually does take place. After all, in spite that after the development of totalizm I already lived in 8 different areas, each one of which is strongly endangered by numerous

cataclysms and each one of which was hit by cataclysms both, before my arrival in there, and after my departure from there, even a single time a cataclysm with the properties of a "God's punishment" hit a place in which I just was living. A peace and the lack of hostilities prevailed even in time of my life in South Korea - in spite that several months before my arrival in there the North Korea carried-out tests with nuclear bombs, while soon after my departure the North Korea restarted its usual hostilities.

#14. The "feelings" of weather anomalies as "signs" that a given community has its "10 righteous", or e.g. that as a whole it practices totalizm:

Motto: "Local nature always tunes itself to the dominating philosophy of local people. In other words, if we clearly separate the characteristics of climate from the behaviour of nature and weather, then the behaviour of nature and weather in a given area always exactly reflects the philosophy practiced by the human population living in that area."

According to my findings to-date, there are clear "signs" which relatively reliably indicate to us the state of morality and the philosophy of people who inhabit a given city or area. These "signs" quite clearly inform every interested person whether a given community as a whole: **(a)** practices **totalizm**, or **(b)** it practices parasitism but it has its "10 righteous", or **(c)** it practices **parasitism** and it does NOT have amongst themselves any "righteous". These "signs" take shape of kinds of "feelings" that protrude from the behaviours of weather and nature in a given area. Such "feelings" of the weather and nature can represent either: (a) "tenderness", or like (b) "kindness" or "official friendliness" (in the style of that ones which are shown e.g. by "stewardesses" in airplanes), or straight (c) "hostility". Means, the behaviours of local weather and nature always are like behaviours of woman in love whom with her actions lets the objects of her love know unambiguously what she thinks about his current conduct. Namely, if the so-called "weather anomalies" always show "tenderness" towards the local community, then this is a sign that this community as a whole practices totalizm. This "tender" treatment manifests itself in many ways. For example, even in the cold climate, such as that in Poland, the rain can be "warm" - so that e.g. children in there will like to play in the rain, because it is as pleasant as a warm shower. Or it manifests itself by this, that when e.g. a given community is on the path of some destructive weather anomaly, such as large snow, hail, frost, wind, rain, heat, draught, etc., then the consequence of this anomaly is still a lack of destruction - no matter what force this anomaly has. In turn when the weather and nature display a "kind" or "friendly" although like an "official" treatment, which is typical when this community practices parasitism but still has its "10 righteous",

then the consequence of a given weather anomaly is a minimum damage possible for a given force of it. In turn when the weather and nature on a given area displays a "hostility" towards the local population, what is always a sign that a given community practices the philosophy of parasitism and does NOT have its own "10 righteous", then practically every kind of weather, even this the best one, inflicts to the local population the maximum of damages and suffering that for the power of this weather it is able to cause. Also when rains in there, then the rain is always cold and unpleasant. Frequently instead of the rain, large and destructive hailstones are to fall in there. It is also worth to know, that in present times of internet weather forecasts, everyone can check remotely for himself or herself, what kind of a "sign" the weather and nature of that area sends into the world about people who live in there. (E.g. in times of writing this item in April 2010, the current weather of New Zealand one could learn from web pages metservice.com/national/ and tvnz.co.nz/weather-forecast.) Only that to check this "sign" it is necessary to compare the weather with events that it causes - and this requires quite a long research (thus most easy is to check it by visiting a given area in time of the most bad weather). And it is really worth to check this sign - if e.g. we intend to settle in that area. After all, this sign defines exactly how local people are to treat us and thus how we are going to feel in there. This is because the philosophy of people most clearly and most drastically reveals itself in their attitudes towards weaker than they are, towards emigrants, and towards "strangers" who arrived from other areas.

An example of extraordinarily "friendly" behaviour of weather and nature which I experienced in person, was my native village in Poland named [Wszewilki](#), in times of my youth (i.e. 1946 to 1964). In these times the village of Wszewilki was definitely a "totaliztic" village which as a whole decisively practiced the [philosophy of totalizm](#). Interestingly, when any destructive weather phenomenon appeared near Wszewilki, always by some strange "coincidence" it missed that village at a distance, not causing any damage. In turn when some unpleasant weather arrived, then it always happened somehow in such a way that this weather did NOT harm anyone and only introduced some additional excitement to lives of inhabitants of Wszewilki. Other quite unusual example was my stay in the New Zealand city named "Invercargill" in years 1983 to 1987. At that time the inhabitants of that city as a whole also practiced the philosophy of totalizm (although they did NOT know about this). So in spite that in New Zealand the city of "Invercargill" is famous as one with supposedly the worst weather amongst all cities of the country, in time when I lived in there this apparently "bad" weather was so "tender" towards people, that I was NOT perceiving at all that the weather in there is any worse than anywhere else. In fact I perceived the weather in there as quite pleasant.

An example of "friendly" although almost "official" behaviour of weather and nature is the township of Petone described here (in the vicinity of which lives these at least "10 righteous"). As repetitively it is confirmed by local events, e.g. the television forecasts of especially bad weather almost never fulfil for Petone - although typically they fulfil for nearby towns. Furthermore, all weather anomalies always in Petone itself inflict a minimum of damages possible for given their power - although already in nearby towns they cause maximum damages. Come to this, that local meteorological services behave as if they feel embarrassed to

announce a prognosis of bad weather for Petone, because their possible warnings about any weather anomalies endangering the township already in advance are destined to turn wrong.

If a given community deserves this with a kind of philosophy which it practices, then instead of displaying a "friendliness", weather anomalies can also display an open "hostility". In years 1999 and 2000 I lived in a small town called Timaru. It was in there that I could clearly notice such a "hostility" of weather. In the result, even in maximally good weather conditions, such as sunny days and complete lack of wind, the nature still managed to maximise in there the troubling of local people - e.g. through increasing the dust level in the air and inducing allergic and asthmatic reactions (e.g. see the article "Timaru now smog capital" from pages 1 and 3 of local newspaper [The Timaru Herald](#), issue dated on Sunday, 8 July 2000). Another place where the nature lets its "hostility" clearly know to people, is the so-called "**Rimutaka Forest Park**" about which I wrote more in item #K1.9 from the web page [newzealand.htm](#). Near that particular park is located one amongst the largest prisons of New Zealand - in which their sentences are serving people with the extremely parasitic philosophy. In spite that this park is separated only by a narrow mountain range from Petone (thus it does NOT belong to the same "area of destruction" as Petone does), the nature treats people in there completely opposite to how it treats people in Petone - in fact it acts in there openly "hostile" towards people and perfectly well reflecting the philosophy of inmates locked in the Rimutaka Prison.

#15. If inhabitants of some area deserve this with their moral behaviour and group practicing the philosophy of totalizm, then the nature work for their benefit even when it supposed to harm them:

How friendly can be the nature to communities which as a group still practice the philosophy of totalizm, it is revealed by research reported in a humble article "Island in Pacific are growing, study says", from page A6 of newspaper [The New Zealand Herald](#) issue dated on Thursday, June 3, 2010. This article reports outcomes of research on islands of two archipelagos of Pacific, namely Tuvalu and Kiribati. The problem which they have over there is such, that the warming of climate induced currently by people and by industry, leads to continuous rise of water levels in oceans. In turn, the raise in water levels in oceans should lead to flooding of all low islands and low coasts, including Tuvalu and Kiribati - e.g. see the article "Sea level to rise 13 cm in a century", from page 8 of the Malaysian newspaper [New Straits Times](#) issue dated on Friday, July 23, 2010. But, as it turns out, 7 islands from Tuvalu and 3 islands from Kiribati in fact grew larger during the last 60 years - i.e. in times when their aerial and satellite

photographs were taken. This growing happened in spite that the level of ocean increased in there by 12 cm, thus gradually flooding many other low-level coral islands from the Pacific. In other words, if inhabitants of given islands deserve it through practicing the moral philosophy, then their islands instead of sinking because of the warming of climate and the increase in ocean levels, rather begin to emerge from the sea.

In comparison, on coasts of the Baltic Sea legends are told about the mythical city and island from the Baltic Sea, in Polish called "Wineta" (in German it is called "Vineta", while in Latin and English it is called "Veneta"), which is described, amongst others, in items #G2 and #H2 of the web page [tapanui.htm](#). Inhabitants of that island practiced advanced form of the [philosophy of parasitism](#), adhering to immorality, greed, deviations, cheating, etc. Thus the community of that island as a whole was punished by the nature and this island drowned in waters of the Baltic Sea, while all its inhabitants died. The same happened also to highly decadent inhabitants of the ancient city of Salamis from the island of Cyprus on Mediterranean - which I mention in items #G1 and #H3 from the web page [tapanui.htm](#) while describe more comprehensively in subsection V5.2 from volume 17 of my newest [monograph \[1/5\]](#). Thus, it should be no surprise to anyone, when also present communities which practice this highly immoral philosophy of parasitism, are drowned and destroyed as well - similarly as this happened to the inhabitants of the immoral island of Veneta and the morally deviated city of Salamis. Actually beginnings of this drowning and destruction we already can notice at present.

Part #J: Who is that "corrective intelligence" which controls tsunamis:

#J1. Who is that "corrective intelligence" which directs tsunamis:

Although this intelligence hides perfectly from the sight of people, if someone analyses thoroughly its attributes, than it turns out that it is [God](#). This is because only God has the sufficient knowledge, execution power, and reasons, to e.g. so "simulate" almost every "Act of God", that valid for it are simultaneously all these 3 different explanations indicated in items #C2 and #J2 and in the caption under "Fig. #D8" from this web page. In order to realise how difficult is to imprint 3 different sets of attributes into a single product of intelligence, it is enough to realise, that people build e.g. "vehicles" for already several thousands of years, and so-far they did NOT managed to build even a single "vehicle" which would simultaneously (1) fly in the air or vacuum of space, (2) move in solid ground, and (3) sail in water (although I invented just such a "vehicle" - it is called

the [Magnocraft](#), but followers of the philosophy of parasitism have NOT allowed me to build it).

The fact that it is just [God](#) who is this "corrective intelligence" which in fact directs all catastrophes, is indicated by the entire ocean of evidence. Because this evidence is already presented on a significant number of totalistic web pages, its descriptions will NOT be repeated here. But I recommend to have a look e.g. to "part #B" (i.e. items #B1 to #B7) of the web page named [seismograph.htm](#), to the entire web page named [evolution.htm](#), to "part #C" (i.e. items #C1 to #C6) of the web page named [prawda_uk.htm](#), or also to e.g. "part #D" (i.e. items #D1 to #D6) of the web page named [newzealand_visit.htm](#).

Good examples or evidence which confirms that it is really [God](#) Himself who is this "corrective intelligence" that directs tsunamis and earthquakes described on this web page, are, amongst others: (1) leaving untouched objects of religious belief, (2) using catastrophes for correcting the moral state of collapsing communities, (3) precision and perfection with which "simulations" of these catastrophes are carried out, and which can be accomplished only by God.

#J2. Why this "corrective intelligence" hides its identity from people:

There is a simple reason for which God intentionally so "simulates" almost every "Act of God" which He organises, that depending on the view of the world, every person could select for himself or herself one amongst at least three different explanations for this cataclysm, described in item #C2 and in the caption under "Fig. #D8" above (i.e. select between explanations that this cataclysm is: (1) caused by God, (2) outcome of the work of nature, or (3) hostile action of UFO-nauts). This simple reason is to give to people the so-called [free will](#) in cultivating any views. After all, if for everyone there were NO doubts that behind everything that happens hides the intelligent and intentional act of God, then people would begin to be scared of God, would do only what God orders them to do, and thus would lose their "free will". So instead of free people, they would become slaves of God.

Reasons for which God intentionally and highly skilfully hides from people its existence and activities, are comprehensively discussed in an array of totalistic web pages, e.g. see items #D1 to #D5 from the web page [ufo.htm](#), items #F2 to #F3 from the web page [evil.htm](#), or item #A2 from the web page [will.htm](#).

Part #K: Why the "corrective intelligence" which rules over tsunamis and earthquakes is "simulating" the technical

origins of these "Acts of God":

#K1. What we should understand by the term "simulation":

The "simulation" carried out by God, is simply an act of "temporary creation". For example, us people (and also the Earth and the entire physical world) are created in the manner which can be called "permanent". It means, that we exist for the duration of our entire lives and we lead our lives according to our "free will" until the time of our death. On the other hand e.g. "UFO-nauts" and "UFO vehicles" are also created by God, but their existence is limited to only the time when people are confronted with them, their actions are deprived the "free will" which we people have, while their behaviours are controlled directly by the mind of God. Best illustrations of "simulations" of God are "bodily representations" of God described under names "Tane" and "Uenuku" in items #D1 to #D3 of the totaliztic web page [newzealand.visit.htm](#). Other kinds of God's "simulations", which this time takes the shape of strange animals of the type of "Nessie" from the Scottish lake "Loch Ness", are described in items #E1 and #E2 from the totaliztic web page [stawczyk.uk.htm](#). Still another such simulations, which confront people with "furry creatures" of the "Yeti" type, are described and illustrated in item #E6 of the web page [newzealand.htm](#).

The topic of "simulations" carried out by God is discussed on several totaliztic web pages. For example, replies to questions "whether", "why" and "what consequences" relating to these simulations, are indicated in item #A2 from the web page named [evidence.htm](#). In turn "reasons" for creating these simulations are discussed in item #B12 from the web page [god.htm](#), while reasons why these simulations persecute some people more than others are explained, amongst others, in item #F2 from the web page [will.htm](#).

#K2. Why such "simulations" of the technical origins of tsunamis and earthquakes take place:

Not every person is mature enough to accept the truth. For example, the [fact of existence of God](#), or the [fact of creation of physical world and man by God](#), is the conclusive truth, but many people still NOT only write, but also believe in the claims expressed e.g. in the article "The facts of evolution deserve the epithet 'proven' " from page B4 of newspaper "[The Dominion Post](#)" (issue dated on Tuesday, March 16, 2010). The content of that article contradicts, amongst others, the truths that are revealed here on this web page, i.e. it

contradicts that there are clear manifestations of the acts of God, and it also claims that even if God does exist, still it supposedly either is "malevolent", or is powerless (and thus He does NOT deserve the name of God). For these reasons, in order to NOT force the change of views just such people who are still immature to accept the truth, it becomes necessary to, amongst others, "simulate" the technical and natural origins of tsunamis, earthquakes, and other deadly catastrophes. After all, even if someone is highly religious and believes in the existence of God, still may NOT be ready to accept the shocking for some truths, e.g. that for the good of the humanity as a whole, God is forced relatively frequent to use what people may consider to be "evil".

Part #L: The shocking precision in "simulations" of UFO vehicles:

#L1. A formal scientific proof for the objective existence and operation of UFO vehicles was already developed and published:

A formal scientific proof for the objective existence and operation of UFO vehicles was already developed and published. On the subject of this formal proof one can read from the totaliztic web page named [ufo_proof.htm](#).



Fig. #L1 (T1 in [1/5]): Here is a photograph, which for an ignorant shows nothing interesting. Just two white stains on the background of dark sky. But if someone knows what to take notice of, then it literally starts to fascinate. For example, this photo belongs to an objective photographic documentation for the fact

that **UFO**nauts **do exist for sure**, and that they have in their disposal technical devices about which our present orthodox scientists never even dreamed of. Many out of these unknown to people devices, for example [starships propelled with powerful magnetic field](#), or [time vehicles](#), are described in my newest [monograph \[1/5\]](#) offered free of charge via this web page (in order to download it to your own computer simply click on [Text \[1/5\]](#) in "Menu 1" or in [Menu 4](#)). This photograph is also an extremely rare photographic evidence for the fact, that **UFO**nauts **already mastered travel in time**. For example, if someone examines very thoroughly the above photograph, then he/she discovers, that exactly the same UFO vehicle is captured on it in two different places at the same time. This in turn means, that this vehicle has the ability to stop the elapse of time - what is one out of basic abilities of time vehicles. After all, the basic attributes of time vehicles include, amongst others, the following abilities: (1) slowing down the natural speed of elapse of time, (2) stopping the elapse of time, (3) shifting time back, and (4) skipping forward in time so to rapidly shift to the future. (For more information about principles of operation and attributes of time vehicles, see subsections M1, M2 and H9.1 in my newest [monograph \[1/5\]](#). In turn the description of the above photograph is provided in the caption for Figure T1 in monograph [1/5], and also on several totaliztic web pages, e.g. on the page on [telekinesis](#).)

#L2. The precision with which the operation of UFO vehicles is "simulated":

The precision with which UFO vehicles are "simulated" is so great, that in reality just on the basis of analyses of these UFOs people could even build their own such vehicles, while after being build, such Earthly UFOs for sure would work.



Fig. #L2 (V6d in [1/5]): The philosophy of [totalizm](#) teaches us that tolerance can also be a sin. Especially if blindness and ignorance in matters of UFOs is tolerated, which later must be paid with human lives. The above photograph shows the underground tunnel called the "Deer Cave", which was evaporated in rocks by a UFO. Unfortunately almost no-one knows about the origin of it from a UFO. On the other hand, if people knew that UFOs are able to evaporate glossy tunnels in rocks, if our orthodox scientists are familiar with the mechanics of evaporation of such underground tunnels by UFOs, and also if much more people saw these UFO tunnels with their own eyes, then many disasters and suffering could be prevented on Earth. For example, [WTC buildings in New York](#) (see "Fig. #L3") could NOT then be evaporated in such a manner as if an invisible UFO vehicle drilled a tunnel along its vertical axis. After all, in such a case everyone would immediately recognize that WTC buildings in New York were collapsed in such a way as if they were evaporated by an invisible UFO vehicle.

More information about the mechanism with which the WTC buildings were evaporated by an invisible UFO is contained in subsection V8.1 from volume 17 of my newest [monograph \[1/5\]](#), and also on a separate web page which discusses the simulated evaporation of [WTC](#) by UFOs.

In turn more information about the "Deer Cave" from the Northern Borneo (this shown above) is provided in subsection V5.3.1 from the same volume 17 of my newest [monograph \[1/5\]](#).

#L3. Examples of precision with which "simulated" are consequences of the

destructive use of UFO vehicles on the Earth:

There are numerous well documented examples of the precision with which the consequences of the destructive use of UFO vehicles on the Earth are "simulated". An excellent example of these is the [evaporation of WTC skyscrapers in New York](#) - see "Fig. #L3".

A whole array of totaliztic web pages is devoted to the presentation of so precise "simulation" of consequences of destructive use of UFO vehicles on the Earth, that for people this "simulated" use remains indistinguishable from the "real" use of these vehicles for purposes of destruction. Therefore, readers who are interested in this topic, should have a look at these web pages. Their examples include, amongst others, web pages named: [wtc.htm](#), [shuttle.htm](#), [memorial.htm](#), [landslips.htm](#), [tornado.htm](#), [hurricane.htm](#), [katrina.htm](#), [katowice_uk.htm](#), [cloud_ufo.htm](#), and several others.



Fig. #L3: The above photograph for me personally is a symbol of how uninformed (if not intentionally misled) are people of the Earth. This photograph shows an underground "tunnel" that after the "collapse" of WTC buildings in New York, appeared in the place where previously stood one of these buildings - i.e. the one which was NOT hit by any airplane. But in what strange manner this building needed to "collapse", that instead of a pile of rubbles sticking high up, it left a tunnel in the ground? Or, perhaps, it was not a "collapse" at all, but an evaporation of this building carried out in such a manner that it "simulated" the evaporation by a UFO vehicle

which remained invisible to human eyes? Such an evaporation could be "simulated" in exactly the same manner like simulated is the evaporation of underground tunnels in rocks by UFOs (one from a large number of such tunnels simulated as if it was evaporated by UFOs, is shown in "Fig. #L2" above.) If WTC buildings were evaporated in a manner that simulated their evaporation by invisible UFOs, then almost entire structure of these buildings would be turned into a cloud of solidified droplets of evaporated building materials which so intrigued eye witnesses of the WTC disaster, and which were even captured on films by numerous cameras. In turn, the effect of such an evaporation of WTC buildings simulated as if it was done by an invisible UFO, would actually be a tunnel similar to the one shown on the above photograph, instead of a pile of rubbles that is typical for all collapses. Such a tunnel would be left in the ground, if the simulated UFO got slightly carried away and overdone with the depth of the evaporation.

Notice that the evaporation of underground tunnels by UFO vehicles was already simulated in a number of areas on our planet. One of these areas is shown in "Fig. #L2" above. Several further ones are shown and discussed in subsection V5.3 from volume 17 of my newest [monograph \[1/5\]](#) - see over there photographs O6 (a) to O6 (e). In turn a comprehensive description of the evidence which seems to indicate that WTC buildings were evaporated by a UFO vehicle which remained invisible to human eyes, is contained in subsection V8.1 from volume 17 of my newest [monograph \[1/5\]](#), and also on a separate web page which discusses the simulation of evaporation of [WTC](#) by UFOs.

* * *

Above should be complemented with the information, that UFOonauts are so simulated as if they secretly operate on the Earth, and continually torment humanity, since the beginnings of time. Independently from the destruction described on this web page, the involvement of UFOonauts was simulated also in countless other cases of destruction. For example, as this is described more comprehensively on a separate web page named "[Columbia](#)", on 1 February 2003 it was simulated as if two UFO vehicles downed American space shuttle Columbia. I suggest to have a look also at that separate web page "[Columbia](#)", to also check the evidence presented over there in this another case of simulated tormenting of humanity by supposedly evil UFOonauts.

#L4. Precision with which "simulated" are material traces of the operation of UFO vehicles on the Earth:

On the Earth is created a lot of material evidence which certifies for the supposed activities of UFOs and UFOonauts. This evidence is "simulated" so precisely, that it makes an impression that UFOonauts really do act on the Earth to the detriment of people, and that the Earth is currently under a secretive occupation of UFOonauts. Examples of just such evidence are discussed on web

pages named [evidence.htm](#), or [explain.htm](#). (The evidence which relates to the use of "time vehicles" by UFOonauts, is presented on the web page [immortality.htm](#).)



Fig. #L4(b) (V3dl in [1/5]): One of the so-called "crop circles" means UFO landings in crops. Interesting about these landings is, that for a supposed diverting of the attention of people from ways and reasons for making these UFO landing sites in crops, utilized are exactly the same strategies and tricks, which were utilized also for removing signs of participation of simulated UFOs in causing the tsunami of 26th December 2004, as well as in removing the evidence of participation of UFOs in evaporating buildings of [WTC](#) New York and in shooting down the space shuttle [Columbia](#). (In other words, this "corrective intelligence" which hides behind the "simulations" of UFOs and UFOonauts, knows people so well, that it is absolutely sure that "the more something is obstructed for people and the more people are misled about it, the more intensely these people begin to believe in it and the more they are interested in it".)

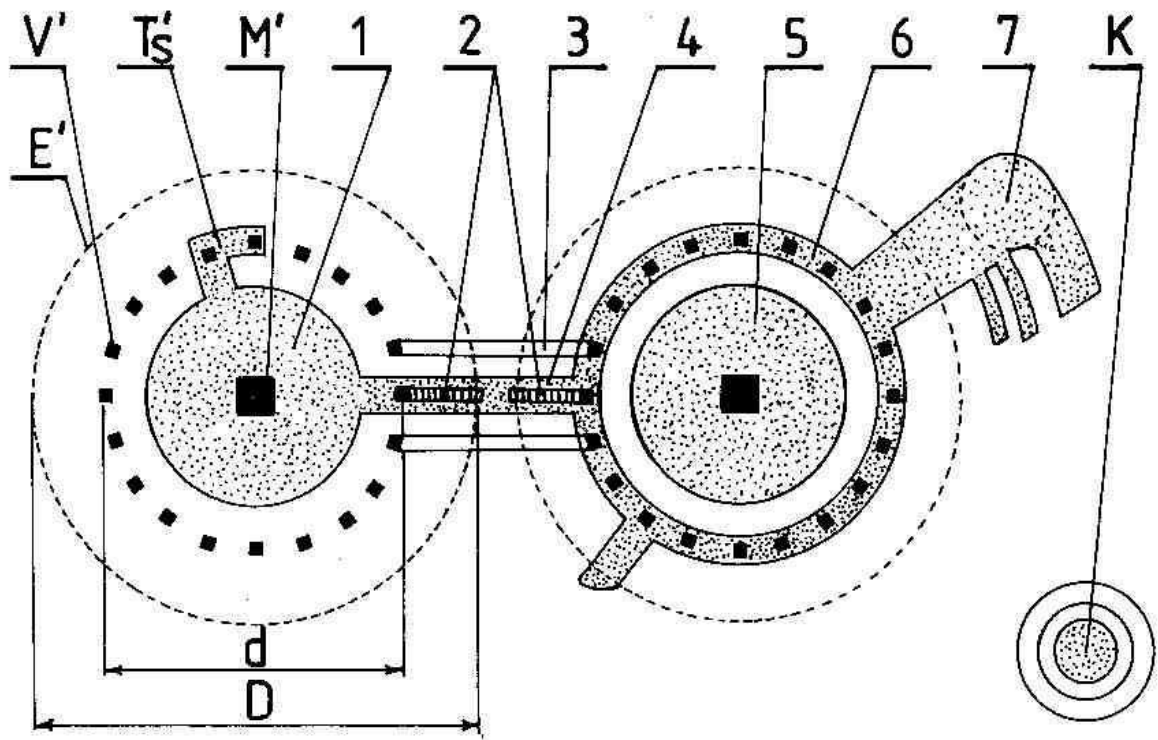


Fig. #L4(b) (V3a_d in [1/5]): The above drawing illustrates the shape of a site which would be laid down in a crop by two flying vehicles with magnetic propulsion, called [Magnokrafts type K6](#) - magnetically coupled together into so-called "flying cluster" of the shape and attributes shown and explained in "Fig. F13" from volume 3 of my newest [monograph \[1/5\]](#). Because in chapter P from volume 14 of that monograph [1/5] is also proven formally that "UFOs are already completed Magnocraft", the formation of such sites by the Magnocraft means, that the site shown in "Fig. #L4(a) above in fact was laid down in crops just by such a "flying cluster" coupled from UFOs type K6. It is also worth to add, that depending on the height on which the vehicle hovers above the crop field, various elements of the above site, e.g. these marked (3), may disappear.

More information about these "crop circles" and about manners with which the attention of people is diverted from the true causes and mechanism of their formation, is explained in subsections VB4.3.1 and VB4.1.3 from volume 17 of my older [monograph \[1/4\]](#).

A separate web page named [aliens.htm](#) presents the explanation (and photographic evidence) for the reason why on the Earth a situation is simulated, as if UFO vehicles repetitively formed these "crop circles" in various places - as shown on the above photo "Fig. #L4". According to this explanation, UFOonauts hide from people their UFO vehicles by parking them in underground caves to which humans normally have no access. In turn, if these underground caves/parkings exists under crop fields, then during submerging into these caves, the spinning magnetic field of UFO vehicles lies out crops through which these UFO vehicles must pass. Because UFOonauts park their UFO vehicles repetitively always in the same caves, if on top of these caves every year crops are being planted, then in these crops repetitively "crop circles" must be formed for a number of subsequent years. The photographic evidence which confirms this (cave-based) explanation for reasons of formation of such "crop circles", are photographs of UFOonauts invisible to human eyes, who dive underground

"head down" in the vicinity of just such crop circles. An example of just such a photograph of **UFOnavts diving underground head-down** is shown on the web page about [aliens.htm](#). In turn a photographic evidence for the fact, that these are UFO vehicles in the invisible to people "state of telekinetic flickering", which form the authentic "crop circles", is shown on the photo marked as "Fig. #4" and included, amongst others, in the web page on technical version of [telekinesis](#), and also on photograph "Fig. #E2ab" from the web page [explain.htm](#).

Part #M: The shocking precision with which UFOnavts are "simulated":

#M1. Attributes of someone's character are shown in anatomic features of the face and in the appearance of this person:

The folklore knows about this for centuries. Namely, the anatomic details and the appearance of people is disclosing their character and habits. This is why, e.g. the folklore of Chinese recommends to NOT trust people with curly hair and hooked nose, because supposedly their character is equally twisted as their anatomy. Recently even scientists begin to discover, that there is a direct link between anatomic details and appearance, and attributes of character - as an example see the article "Beware of men with wide faces" from page A10 of the newspaper [The New Zealand Herald](#), issue dated on Monday, March 15, 2010.

If someone so omni-knowledgeable and perfect as [God Himself](#), decides to "simulate" the existence and appearance of UFOnavts, then to his "simulations" He is giving the appearance which reflects precisely these attributes of character which God wishes eye witnesses see in UFOnavts that they encounter. Therefore it is very vital, that we study this "simulated" appearance of UFOnavts and that we compare it with the appearance of some people - as an example see descriptions and illustrations from item #G3 of the totaliztic web page [evil.htm](#).

#M2. The precision with which all anatomic features of UFOnavts are "simulated":

The appearance of UFOnavts is "simulated" extremely precisely. In fact, research on UFOnavts described on the web page [ufo_proof.htm](#) reveal, that

the "simulated" anatomy of UFOonauts and their appearance precisely reflect these attributes of their character, which are also passed to us through the "simulations" of evil activities and behaviours of these creatures.



Fig. #M2 (K5 in [1/5]): Here is an example of precision with which the appearance of UFOonauts is simulated. The above photograph shows anatomic features, which if are present in a human, then disclose all attributes of character which this "correcting intelligence" that simulates UFOonauts wants to signal to eye witnesses of UFOonauts - for more information see also descriptions and illustrations from item #G3 of the totaliztic web page named [evil.htm](#). (Click on this photo to see it enlarged.)

The above photograph shows an old sculpture, which discloses the best known to me image of the true appearance of a devil/UFOonaut. It originally was published in the magazine "The Unexplained". In turn the scientific interpretation of it, is provided in the description of Figure K5 from monograph [1/5]. As the above sculpture clearly reveals it, the true appearance of a "devil - UFOonaut" is really almost indistinguishable from the appearance of a "normal" human. Only several tiny anatomic details may be used to initially distinguish these "devils-UFOonauts" from people, in spite that some of these details may also appear in

humans. Let us list now examples of anatomical attributes that strike in many UFOonauts while appear less frequent in people:

(1) Triangular eyes. Eyes in UFOonauts are slightly different than in humans, and especially interesting. Namely they are slightly larger than in people, slightly wider positioned, and they have a slightly different shape. I had a good opportunity to have a close look at eyes of an UFOonaut and noticed that they have a shape like of a hen's egg which is directed towards the front with the most sharp end. (Human eyes in the frontal part are almost spherical.) This different shape means, that they are also slightly different from the optical point of view. This in turn causes that they have also a different appearance than human eyes. The different appearance of eyes of UFOonauts, resulting from their different than in people optical properties, with a bit of awareness on our part usually becomes the first anatomic detail that catches our attention. Namely, if UFOonauts look somewhere above our head, their irises viewed under appropriate angle appear as if they have form of sharp triangles with three straight sides. The sharp apexes of these triangles are pointed downwards. Simultaneously, in these rare cases when their eyes are of a colour other than black, so that the colour of their pupils does not blend with the colour of their irises, their pupils in such triangular irises assume then the shape of a vertical line similar to an exclamation mark. This in turn causes that their eyes then look more like eyes of a cat than eyes of a human. But when an UFOonaut looks straight at us, then his irises, as well as his or her pitch black pupils in eyes, look just as round as in all humans. So when an UFOonaut looks straight at us, it is difficult to distinguish his/her eyes from these in humans. Therefore the easiest way to notice whether someone looks like a suspected UFOonaut, is when we see him or her in TV, or look at his or her photograph. Then camera frequently captures their eyes under this special angle of viewing, for which their irises become sharp triangles. It is shocking how many such sharp triangular irises with pupils like vertical lines of exclamation marks one can notice in present television. What is even more interesting, majority of individuals who show such triangular irises, have also hair strangely standing up on ends above their forehead. After one realises what this means, one gets a shock. After all, the frequency of seeing such eyes and hair makes us aware how massive is the "simulation" of secretive occupation of the Earth by UFOonauts is, and how complete and tight control over all our institutions these simulated UFOonauts extend at present.

This is because of that similarity of irises of UFOonauts to sharp reversed triangles, with pupils looking like vertical exclamation marks, that old Polish folklore claimed that "devils" and "witches" (means former names for present "UFOonauts") have "cat eyes". Also for the same reason, such triangular eyes even present folklore from New Zealand describes with the expression "devilish eyes" (it is believed over there that these who have such devilish eyes cannot be trusted). Examples of just such triangular (devilish) eyes one can see on quite easily available photographs of some amongst these terrorists who hijacked aeroplanes that hit **WTC** skyscrapers in New York. In fact these triangular eyes usually are the first anatomic detail which hits our own eyes when we are looking at a photograph or video of a simulated UFOonaut. (A next such a detail, which usually confirms this first one, is the tendency of their hair to stand on ends above the forehead.)

(2) Standing hair. In former "devils" and in present simulations of "UFOonauts", hair above the forehead grow upwards, not downwards like in people. Thus, the majority of male UFOonauts combs their hair upwards. When recently UFOonauts learned that people managed to identify anatomic details which allow to recognise them, they started to promote a fashion on the Earth, which makes all males to have hair standing upwards. Many UFOonauts have also curled hair, such as visible on the photograph from "Fig. #M2". Probably from this originates an old Chinese belief, which states (in Cantonese): "Lin mow, ngaw pej, tap tau, mkwat tak kow." In English this means: "curly hair, hook nose, bow head, cannot be trusted".

(3) Buttock-like chin, or more strictly the end of chin sticking forward, with two very characteristic buttock-like protrusions. These protrusions make chins of typical simulations of UFOonauts very similar to miniature human bottoms. It is so striking, that **in order to hide their chin, presently many simulated UFOonauts acting on the Earth grows beards.** Notice that medieval witches (means female UFOonauts) also are drawn and described with such sticking forward, buttock-like chins. (This is perfectly illustrated on the photograph of a "witch" shown on the web page on [UFOonauts](#).) Of course, this "buttock-like" chin is not the only identifying feature that allows to distinguish former "devils", means present UFOonauts, from people.

(4) Pear-shaped head (looking like slightly triangular), which is well illustrated on the above sculpture of a "devil". The skull of UFOonauts significantly differs in shape from skulls of humans. If we would describe skulls of humans, we could approximately compare them to spheres or ellipsoids. The horizontal cross section is for them the largest at half of their height, means when it crosses through cheek bones. In turn the **skull and head of UFOonauts resembles a pear** more than a sphere. Their horizontal cross section is the largest for the plane that passes slightly above temples of UFOonauts. Of course, these differences in the skull cause also differences in the shape of face. A typical human face is round or elliptical. In turn a typical face of an UFOonaut is like a triangle that in the lower part narrows down. Especially triangular are simulated faces of female UFOonauts (this explains why so many religious pictures of Mother Mary show her with a very triangular face - these pictures were made on the basis of sightings of female UFOonauts who were purposely simulated as if they impersonated the mother of Jesus, e.g. see the description under "Fig. #D8" above). This is because of this triangular shape, that the face of Satan is frequently shown as resembling the face of a goat. The above more clearly can be noted in a real life than on images (especially that for images UFOonauts always expose the angle of their faces at which they are most similar to people). In a real life heads of UFOonauts are clearly wider just above temples. In turn heads of humans are clearly widest in the horizontal plane of cheek bones.

(5) Long, narrowing, pointed nose, like a typical carrot. Noses of some UFOonauts are very long with a pointed end. For me it resembles uniformly narrowing conical carrot. On the very tip of their nose, UFOonauts usually have a tiny groove located between two cartilage plates that form the sharp tip of the nose. A number of UFOonauts have also curved, hook-like nose, formed by two straight lines joined at an angle in the middle of the nose. Just such a hook nose for "devils" is described in the poem "Pani Twardowska" by a Polish famous poet

named Adam Mickiewicz. For more details about these tiny details of differences between the anatomy of UFOonauts and anatomy of people, see subsection V8.1 from volume 18 of my older [monograph \[1/4\]](#).

The above photograph, as well as details of UFOonauts' anatomy together with differences in appearance of UFOonauts and people, are also discussed on several other totaliztic web pages listed in "Menu 4" and "Menu 2", e.g. on pages "[evil](#)", "[changelings](#)", "[aliens](#)", "[UFOonauts](#)", "[Malbork](#)", or "[Antichrist](#)".

#M3. Examples of the precision with which UFOonauts were "simulated":

In spite that UFOonauts are only temporary "simulations" carried out by God, their simulations is so precise, that it makes an impression that their civilisation exists and develops similarly like the human civilisations, and is even more advanced technically from the human civilisation. An example of this precision of their "simulation" are photographs shown below in "Fig. #M3".



Fig. #M3a (B20 in [4c]): Notice this UFOonaut invisible to human eyes in a white

cosmic suit, which was captured by the photographic camera when it hovers in mid-air behind the girl's head. The registering of this UFO-naut on the above photograph documents, that apart from "natural" events, e.g. these ones which each one of us can see with own eyes, we are also affected by events which are so "simulated" as if were generated by the technology incomparably higher from that present on Earth (in old days these other events were described as supposedly of "supernatural" origin) - means these which usually remain invisible to eyes of normal humans. So in order to distinguish between these two categories of events (i.e. "natural", and simulated as if induced by this "alien technology"), it was necessary to introduce a secret code of dating of some sort. This code causes, that everything that happens according to it, e.g. everything vital that happens on 1st April, on 13th of any month, or on 13th plus 13th (means on 26th) of a given month, in fact does not originate from "natural" causes, but is supposedly induced technologically by this advanced "alien technology". For more information about this secret code of dating of events on Earth, see item #D8 (and also see subsection V5.4 in volume 16 of my older [monograph \[1/4\]](#)).

* * *

The above black-white photograph shows an UFO-naut invisible to human eyes, which was photographed when he hovered motionlessly in the midair in the state of "telekinetic flickering". This photograph originally supposed to show a girl with flowers (this girl is named **Elizabeth Templon**). It was her who was then photographed. But when the photograph was developed, it turned out that it shows also a previously invisible UFO-naut wearing a space suit and a hermetic helmet. This UFO-naut is excellently visible on the photograph as it hovers half of its height above the ground level near the head of the girl. (Please notice the white color of the suit, which results from the unique "supernatural" glow, that always accompanies the invisible to human sight state of the [telekinetic flickering](#), and which is enhanced by the black-white photograph. This "supernatural", white, ghostly glow is described in details in subsection LC3 from volume 10 of my newest [monograph \[1/5\]](#), where it is explained under the name of the "extraction glow".) The photograph was taken on Sunday, 24 May 1964, by the father of Elisabeth (a fireman by occupation), around 5 miles from their home in Carsle, USA, on the banks of river Solway Firth. The photographing person reported, that at the time of taking this photograph, a strange "electrified" atmosphere was prevailing, and also that local cows were behaving very strangely, although apart from family of the girl, there was no-one around. (It is worth to highlight here, that various animals, including cats, dogs, sheep, and cows, have so designed eyes, that they are able to see UFO-nauts in the state of "telekinetic flickering", even if these UFO-nauts remain invisible to human eyes.) The photograph itself, and also its description, are published on page 51 of an excellent book [2] by Jenny Randles, "Alien Contact - The First Fifty Years", Collins Brown (London House, Great Eastern Wharf, Rarkgate Road, London SW11 4NQ), 1997, ISBN 1-85585-454-6, 144 pages, pb. - I highly recommend the reading of this book. The more exact scientific interpretation of photograph of this invisible for human eyes UFO-naut is contained in subsection B2 of the [Polish treatise \[4c\]](#) (see there Figure Z_4_B2) which is disseminated (free of charge), amongst others, from web sites available here via "[Menu 4](#)".

It is worth to notice that the above photograph of an UFO-naut that hides

behind the back of a little girl, is also discussed from a different angle on the web page named [aliens.htm](#), and on the web page on curiosities of the [Malbork castle of Teutonic Knights](#).



Fig. #M3b: UFOnavts (means "devils") always were present wherever there was some centre of destruction of humanity. For example within, the castle of Teutonic Knights from Malbork, Poland, or in ancient Rome. (Probably everyone is familiar with old legends about the "headquarters" of devils being located in Rome - these legends are reflected, amongst others, in a classical poem "Pani Twardowska" by the Polish national poet named Adam Mickiewicz.) The above photograph shows an UFOnavt diving fast head-down towards undergrounds. It was taken "by accident" in corridors of an old castle of Teutonic Knights in Malbork, Poland - take notice of this dressed in read small creature with short-cut black hair, diving steeply down, head-first, and spinning during the flight like a cork-driver. This photograph is described more comprehensively on the web page on mysteries of the [Malbork](#) castle, available through "[Menu 4](#)". Until today supposedly there is an "underground basis" of UFOs under this castle in Malbork. In turn observations of such flying UFOnavts are there relatively

frequent. The castle itself is the symbol of persecution, brutality, ruthless aggression, and forcing the obedience - for example see item #D1 from the web page [prophecies.htm](#). Interestingly, according to photograph "Fig. #M3c" below, the last Great Master of the Teutonic Knights could actually be a UFOonaut.

The above photograph of an UFOonaut, that dives "head-down" towards the undergrounds of the castle in Malbork, is also discussed (together with other photographs of invisible UFOonauts) on a separate web page devoted to scientific analyses of photographs of [aliens](#), and on the web page about curiosities of the [Malbork](#) castle of Teutonic Knights.



Fig. #M3c: Here are sculptures of the most prominent "Great Masters of Teutonic Knights" displayed in the Malbork castle from northern Poland. It is worth to take notice of the master who on this photograph is shown on the last position to the right. He was Albrecht von Hohenzollern-Ansbach, the liquidator of the Teutonic Knights. He was enormously far-sighted in every his single move, as if he knew the future. For example it was him who in 1525 transformed the order of Teutonic Knights into the Prussia country from which with the elapse of time Hitler's Germany eventuated. It was also him who undermined the influences of Catholic church in his country through the official adoption of Lutheranism and by causing that all his subjects also changed into Lutherans. On the above photograph the interesting is his beard. This is because in such a form of splitting into two almost separate beards, the beard grows only in those who have such "buttock-shaped" protrusions in their chins so clearly shown in photograph from "Fig. #M2". In turn the existence of such a "buttock-shaped" chin is usually a sign that the owner of it is a UFOonaut, not a human. Is it possible that the last of Great Masters from the Order of Teutonic Knights, and the

first ruler of Prussia, was actually a UFO naut? It is also worth to take notice of his shoes of rather a non-typical shape. Would it be possible that his feet also were slightly different from feet of normal people?

Interesting can also be fact, that Osama Bin Ladin wears exactly the same beard that branches into two halves. Would it be possible that this fact explains why he is so illusive?

As it stems from various historical data, Malbork from the very beginning was an object of special interest from UFO nauts. For example, everything indicates that it undergrounds of this castle was simulated a basis of UFOs. More about this UFO basis simulated in the Malbork Castle can be found in web pages named [malbork_uk.htm](#) and [wroclaw_uk.htm](#).

The above photograph is also shown and described on the web page on mysteries of the Malbork castle, named [malbork_uk.htm](#) (see "Fig. #G3" in there).

Part #N: The precision with which were "simulated" the historical cases of UFO explosions that were capable of inducing tsunamis and earthquakes:

#N1. Problems with research on historic cases of tsunamis and earthquakes:

The major problem with research on historic cases of tsunamis and earthquakes boils down to the scarcity of their descriptions. Thus from these descriptions usually it is impossible to extract the information in learning of which we are the most interested.

#N2. Cases when the "corrective intelligence" of tsunamis or earthquakes already influenced fate of people:

Here is a list of most well known out of such earthquakes or tsunamis. Their "corrective intelligence" was obvious, because they were intentionally "simulated" to appear as if they were caused by a technological explosion.

(1) **Tapanui**. On 19 June 1178 (according to the old, Julian calendar)

UFO-nauts caused a catastrophic explosion of a UFO vehicle near a small township called "Tapanui", in New Zealand. Until today a huge crater remains after this explosion. It is shown here on "Fig. #P1". In turn waves of huge tsunami, and also a movement of Earth's crust, caused by this UFO explosion near Tapanui, destroyed, amongst others, a significant proportion of Europe. (For example, the crust movement has slanted the "leaning tower of Pisa" in Italy, deformed dome of the Aya Sophia Basilica from Istanbul - shown on "Fig. #O2", wiped out a legendary island of "Veneta" on the Baltic Sea, etc.). Unfortunately, no many records survived about this Tapanui explosion until today. A description of selected consequences of the Tapanui explosion is provided on the separate web page named [tapanui.htm](#).

(2) Tunguska. Much better researched and documented is the "simulation" of an explosion of a UFO vehicle that occurred on 30 June 1908, and which took place in Tunguska region from the Central Siberia. It left even a photographic documentation - as an example see "Fig. #G2" below, which illustrates the appearance of Siberian Taiga forests laid down by shockwaves of this supposed UFO explosion. Many details contained in descriptions of eye witnesses, which were collected after this "simulation of a UFO explosion in Tunguska, were also present during the latest tsunami on the Indian Ocean. In subsequent items of descriptions from the next part of this web page I am emphasizing these details which are common for both "simulations" of UFO explosions (i.e. common for Tunguska and for Sumatra). A description of selected consequences of the Tunguska explosion is provided in my [monograph \[5/3\]](#).

(3) Sumatra. Finally, this earthquake and tsunami of 26th of December 2004 on the Indian Ocean, was also caused by the explosion of a UFO vehicle - as I am going to document it comprehensively in further parts of this web site. Therefore, the tsunami from Sumatra provides the newest and probably also the best recorded case of a UFO explosion. So if it is presently researched and documented in a proper manner, then in the future it could serve as a model case for phenomena and attributes manifested during a technical explosion of a UFO vehicle. Unfortunately, according to my best knowledge, most probably I am the only scientist in the world who found courage to investigate this explosion from such a point of view, and who tries to document and to emphasize for others the most vital phenomena and attributes of it. The only my description of this Sumatra tsunami is provided on [this web page](#).

* * *

Apart from the above three, there is a whole list of further cases of very similar events which most probably were also "simulated" as if caused by a technological explosion of UFO vehicles. The largest such list is published in my [monograph \[5/3\]](#). Another very suspicious case of a tsunami equally murderous as the one described on this web page, is that of 26th January 1700, which is mentioned in item #D8 of this web page. So surely there is much more such cases of mass "corrections" of the moral state of selected communities on the Earth. However, the problem is that in order to qualify them as intelligent "corrections" of moral state of selected communities, and also in order to document their mechanism, course, and consequences for humanity, it takes a lot of research. But I am carrying such research solely on principles of a private hobby, and my activities are NOT funded by any institution (I pay for this research

from my private pocket). For example, to investigate the tsunami described on this web page, I needed to devote to this research almost my entire summer vacation in Malaysia that extended from December 2004 to February 2005. So this research not always can be completed to the extend that I could wish for, because of a simple lack of time and funds.

Still, at the moment we already have in our disposal a relatively large body of evidence for comparisons and for drawing very useful conclusions about intelligent correcting with catastrophes the moral state of selected communities. This is because we already have 3 relatively well-researched such events listed above, which are provided quite good body of evidence. The evidence tells us a lot about the course, attributes, and outcomes of such a catastrophe. Data about it is summarized in subsection V5.2 from volume 17 of my newest [monograph \[1/5\]](#). (In greater details it is discussed in a separate monograph [5/3] devoted entirely to the presentation of these cases.)



Fig. #N2 (M27 in [1e]): Here is one frame from a very old documentary Russian film, taken in Tunguska region of Central Siberia. It shows trunks of trees from Tunguska taiga forest evenly laid down by a blow from a powerful explosion, which the official science announced (without gaining evidence in confirmation of

its claims) to be an "explosion of a large Tunguska 'meteorite' ", but which in the light of my own research turn out to be one amongst previous intelligent "simulations" of a UFO explosion.

That previous "simulated" UFO explosion took place in 1908. However, the probable reason why it was executed, was to inspire the human research, not to correct the moral state of local population. That explosion in Tunguska is described briefly in subsection V5.2 from volume 17 of my newest [monograph \[1/5\]](#), while much more comprehensively it is described in a separate [monograph \[5/3\]](#).

* * *

Independently from the above historic evidence for effects of the intelligently "simulated" UFO explosions, in various publications, and in film archives, further illustrations and descriptions can be found, for effects of other similar earthquakes and tsunamis. Examples of the most devastating ones amongst of these, were the tsunami of 26th December 2004, described in details on this web page, and also one-year earlier earthquake, which took place also on 26th December, only that 2003 year, in the city of Bam in Iran. That earthquake from Bam in Iran killed around 30000 people.

Part #O: Other disasters and plagues which also persecute the humanity:

#O1. Earthquakes and tsunamis are NOT the only tools of holding back the spread of parasitism:

According to previous items of this page, it is NOT the action of "nature" or the "mother Earth" that keeps troubling with catastrophes our present civilization. In fact catastrophes are send to people on purpose to "correct morally" and to turn back on the path to totalizm every community which wandered into darkness of the philosophy of [parasitism](#).

Of course, in order to act according to the "canon of ambiguity" and this way do NOT take away the "free will" form people, God always carefully hides His personal participation in serving catastrophes. In the result of this hiding, **everything that God intentionally send to people, must look as if it is an "accident", as an "unfortunate converge of circumstances", or as an "action of forces of nature"**, or just like a hidden sabotage supposedly carried out by evil UFOonauts. Therefore, as most vital tools of "moral correcting" of our civilization, God uses everything that looks as if it has a "natural" origins, for example uses:

(1) **Murderous micro-organisms.** These induce illnesses in people and

force us to wake up from the stagnation and complacency, as well as to seek medicines and new ways of prevention.

(2) Powerful [earthquakes](#). These destroy entire cities, forcing too complacent people to begin everything from zero.

(3) Destructive [tsunamis](#). These force a totalistic cooperation to find a way of preventing them.

(4) Ignorant and corrupt politicians. These ones make decisions which clearly are detrimental for the nation governed by them, forcing this nation to unite in the opposition and to act in morally correct way.

(5) Greed of bankers, executives, directors, etc. The recent evolution of capitalism into the form when owners of institutions ceased to be individual people, but started to be groups of people such as share owners, or boards of directors, eroded individual responsibility of people from the top of these institutions. The outcome is that at present almost no-one works for the good of institutions and the good of people employed in it, while executive bodies strive to take care mainly of themselves. In the result, bankers, executives, boards, etc., started to pay themselves astronomical salaries at the cost of earnings and numbers of workers who really maintain the operation of these institutions. The result is that many such institutions bankrupted, while these which still are surviving have huge "heads" supported by unnourished "bodies", thus gradually are suffocated by the greed of their executives.

(6) Economic depressions. These force revisions of stuffy institutions and systems.

(7) Murderous [tornados](#).

(8) Destructive [hurricanes](#).

(9) Powerful and rapid falls of rain together with flash floods caused by these rains.

(10) Draughts and waves of heat, as well as biological disturbances that they cause. E.g. attacks of locust.

(11) Dust storms. At present these persecute the northern parts of China, entire Korea and Japan.

(12) Clouds of volcanic ashes. These not only are able to destroy crops in entire countries, or bury entire cities (like Pompeii in antiquity), but also introduce economical threats for many institutions and nations. An example of these threats can be the complete ban of passenger flights over Great Britain and Europe that lasted almost 6 days, which was caused by clouds of volcanic ashes from the eruption in Iceland on 15 April 2010 - see the article "Volcano grounds flights to Europe" from pages A1 and B1 of New Zealand newspaper "[The Dominion Post Weekend](#)" (issue dated on Saturday-Sunday, April 17-18, 2010).

(13) Volcano eruptions. These are able to erase from the surface of Earth entire islands or sections of countries. Similarly as this is with earthquakes and tsunamis, no-one is able to predict also their eruptions.

(14) Murderous fires. Their example is the "black Saturday" on 7 February 2009 when 173 people died in the result of catastrophic bush fires from the State of Victoria in Australia - for details see 2 from item #B2 of the web page [seismograph.htm](#).

(15) Explosions. As time elapses, our civilisation produces and accumulates together increasingly larger amounts of materials prone to explosions. To these

belongs: fuels, gas, gun powder, military explosives, ammunition, fireworks, chemical factories, matches factories, etc., etc. In addition to this, people who work with such materials become increasingly careless and undisciplined. Thus, there is no problem for this "corrective intelligence" to arrange an "accident". In this way increasingly more frequently we can see various explosions which sometimes wipe out entire settlements - also becoming a kind of catastrophes for local inhabitants.

(16) Extremely low temperatures. These are used for paralyzing operation of entire societies.

(17) The induction of paralyzing fogs, clouds, so-called "whirls of clear air", etc. These in turn cause traffic accidents, collisions of airplanes, chaos, confusion, etc. More on the subject of such induction of clouds and fogs that they appear to be technically induced by UFO-nauts, together with photographs of these phenomena, is presented on a separate web page named [UFO - clouds](#).

(18) Changes introduced to mechanisms that decide about the permanent climate on Earth. Examples of such changes include, amongst others: quiet increase in the "ozone hole", acceleration of the "glass-house effect", changes in the course of ocean currents, melting the glaciers in mountains and on polar caps, parting huge portions of ice from Antarctica, etc.

(19) Formation of conditions on the Earth, in which people release various mechanisms of self-destruction and social degeneration. In turn these mechanisms force people to take defence stands and to prevent them. Such conditions include, amongst others: spreading the "fashion" on the Earth for common use of drugs by people, promotion of smoking and alcohol consumption, promotion in TV and in films of the model of sexual promiscuity which encourages spread of venereal diseases, support for advertising the excessive eating which causes obesity amongst people and leads to various illnesses that result from this obesity, promotion a rule in TV and films that "if you do not like someone than kill him or her", and an entire array of other actions aimed at hidden release in people tendencies for self-destruction.

(20) Sabotages on human technical devices or buildings, and camouflaged to look like "accidents", human errors, acts of terrorism, fires, work of nature, etc. Examples from this category of tools of destruction include, amongst others: sinking human ships and submarines (e.g. the "accident" with the Titanic), shooting down our airliners, derailing trains, melting reactors (e.g. "Chernobyl"), so-called "blackouts" (means cutting off electricity from entire cities or countries, including hospitals), evaporation or collapsing of human buildings (e.g. as in 2001 they evaporated [WTC buildings in New York](#)), bridges, dams, [space shuttle Columbia](#), etc.

(21) Secretive persecution of outstanding inventors from Earth, almost all creative people, rational UFO investigators, etc. Best examples for this category can be the fate of Polish/Russian creator of the first aeroplane on Earth, namely [Aleksander Możajski](#) (1825 -1890), the fate of the outstanding UFO researcher, Dr Karla Turner, or the inventor of diesel engine, [Rudolf Diesel](#) (1858 - 1913).

(22) The instigation of wars. Continually one group of people, nations, or countries, is instigated to start wars or fights against other groups of people, nations, or countries. In turn immoral humans mesmerized by these instigations

fall victims of wars since the most ancient times until practically today, in spite that they are warn about these by practically every religion.

I should add here, that the above list of manners and tools of destruction of humanity is discussed also (but from a different point of view) in item #4 of a separate web page on [predators](#).



Fig. #O1: A miniature UFO-naut captured at the moment of time when it runs across the alley just behind a horse on the left side of the photograph. These are just such miniature UFO-nauts that provide the "grain of truth" to all folklore stories about "leprechauns", "gnomes", "imps", "gremlins", "fairies", and all sorts of other miniature "supernatural" creatures.

The above photograph was taken in Chile on 24 May 2004, by someone named Germán Pereira A. The photographer wanted simply take a picture of "Carabineros" (i.e. horse-mounted police) that patrolled the Parque Forestal in Santiago. It was posted to me for preparing an opinion, by a reader that signed the email as "Melody" (Email: melody@dodo.com.au). In December 2004 this photograph was posted on web pages with addresses www.cifae.tk/parquef.htm and rense.com/general53/chile.htm.

An interesting detail of this miniature UFO-naut is that he has a widened waist, and that during the run he moves his legs. This in turn means that he was "simulated" so that he looks as if he uses a special "magnetic personal propulsion system" with protective cushions around his waist and with main propulsors in epaulettes (instead of soles from shoes). The cushions around the waist in this propulsion system protect hands of the user from being damaged by a powerful magnetic field emitted from the eight-segment belt. In turn the location of main propulsors in epaulettes instead of soles of shoes allows the normal use of legs. Detailed descriptions of this "magnetic personal propulsion system" with protective cushions around the waist, which is used by the miniature race of

UFOonauts, is presented on the web page [explain.htm](#). In turn the principle of operation of such personal propulsion with cushions around the waist is explained comprehensively in subsection E4 from volume 2 of my newest [monograph \[1/5\]](#).

* * *

An extremely interesting documentary TV program on "supernatural beings" identical to the UFOonauts captured in the above photograph I saw in Malaysian TV. It was broadcasted on channel TV3, on Monday, 24 January 2005, at 21:30 to 22:00. It was entitled the "Misteri Nusantara". (As it appeared from the program of this series, it has its own web page with the address [misterinusantara.tv3.com.my](#)). It reported descriptions of numerous eye witnesses who in Malaysia saw UFOonauts identical to the above creature. In Malaysia these creatures are called "**toyol**". In the TV program all eye witnesses who with their own eyes saw the "toyol", described and drawn them in identical manner, although none of them knew about descriptions and drawings of other ones. And so, the Malaysian "toyol" were drawn and described as very small humanoids, only around 25 cm high, with the figure significantly thickened in the waist. (This thick waist does NOT result from their anatomy - which is exactly the same like in people from Earth, but from this special personal propulsion system with protective cushions around the waist - see descriptions and drawings of this propulsion system provided in subsection E4 from volume 2 of monograph [1/5].) One boy, whom such a "toyol" troubled quite regularly, compared the size of it to size of a 1-litre empty plastic bottle from "coca-cola". Their head was shown as more prolonged on the top in proportion to human heads, and widened in the forehead part. Their ears were sharply pointed at the upper end, like ears of a dog. The skin of their face was described as dark-green. Their eyes were light-red and quite protruding. In turn teeth grew irregularly with spaces between them and were sharp like teeth of a cat. All observers of these creatures agreed also in describing intentions and abilities of these Malaysian "toyol". For example, all of them stated that these creatures have evil intentions towards people. So someone's noticing that they are interested in him/her, never means anything good. All eye witnesses also highlighted the habit of these creatures to hide from people, and their ability to disappear from the view. Namely, each person who saw them stated that at the moment when these creatures realized that they are seen by a human, they immediately started to become transparent and quickly fade out from the view completely. In total these Malaysian "toyol" looked exactly as the miniature UFOonaut captured on the above photograph. They also looked exactly like these Polish "krasnoludki" which my sceptical brother observed in the garden of my parents - as it is described in item #H2 from a separate web page [wszewilki uk.htm](#).

It is worth to notice that the above photograph of a dwarf-sized UFOonaut is discussed also, although from a different angle, on the web page [aliens.htm](#), and also on the web page [explain.htm - that presents scientific interpretations of photographs of UFO vehicles](#).

#O2. The reaction on this web page:

The writing and publishing of this web page on 5 January 2005 caused an interesting historic precedence. Namely, it initiated the first in present history of human civilization attempt to indicate principles and methods with which people can effectively defend themselves from tsunamis and earthquakes.

From the very first moment of publishing this web page, and also publishing related web pages which also present obvious evidence for the existence of God and for the continuous interference of God into human affairs, I spend a significant amount of time on analysing and predicting changes in behaviours of people. I must state here with a bitter disappointment, that in spite totalizm and evidence about God are so clear, as so-far people do NOT change their increasingly more parasitic behaviours and actions. This in turn induces a growing worries, that such behaviours may bring in heads of people this total cataclysm-destruction described in item #H1 of the totaliztic web page prophecies.htm.



Fig. #O2: The so-called "Aya Sophia" in Istanbul, Turkey (i.e. the former Byzantium basilica of St. Sophia). The dome of this basilica was damaged in the effect of an earthquake in 1178, that looked as if it also was caused technically by UFO-nauts through an intentional UFO explosion near Tapanui, New Zealand (i.e. at the site shown in "Fig. #P1").

Part #P: It is about the right time we wake

up:

#P1. Why our survival as civilization depends on the awakening from the present trance?

Motto: *"We either start seeing through, or we will become extinct."*

Citizens of the Earth are so preoccupied with chasing excessive profits, sex, and gorging, that they have no time to notice what happens around them. In the meantime, their parasitic philosophies and behaviours destroy piece by piece, their planet. So there is about time to awake from the present trance! If we do not awake on time, already soon the majority of us may die in a "**big bang**" - the arrival of which is being announced for many years by multitude of sources, including old prophecies as well as UFO-nauts themselves (e.g. see subsection V8.4 from volume 17 of my newest monograph [1/5]). The tsunami of 26th December 2004 most probably was just a preliminary warning given to us shortly before the completion of this "big bang". These amongst us, who somehow manage to survive the "big bang", will again be forced to return to trees and to caves. So for God sake let us use for once our eyes and our logic. After all, this is why God gave them to us. We should not allow the future generations say about us that we **had eyes but were incapable of seeing what was coming, had ears but were incapable of hearing the warnings, had mouths but were incapable of repeating the truth, had hands but were incapable of doing what was the most right thing to do.**



Fig. #P1 (V4 in [1/5]): Here is how looks a fragment of rim in the 1-kilometre, so-

called "[Tapanui crater](#)", means the place in New Zealand where in 1178 also a UFO vehicle exploded, only that of a larger type K6. As it is explained in (5) from item #D4 of this web page, a similar 1-kilometre crater completely deprived of life is located under water in the epicentre of tsunami described here. This UFO explosion from Tapanui caused enormous destruction on entire our planet. For example, the tsunami that it caused destroyed the ancient city of Salamis located in Cyprus. In turn the tsunami induced by this explosion on the Baltic sea completely destroyed legendary island of Veneta. Another tsunami that arrived from the Atlantic only in one province of "Shlezwig-Holstain" killed several hundred thousands of people. And one needs to remember that Tapanui is located on the opposite side of the world from Europe.

From descriptions of the approaching destruction of Europe that UFOonauts show to people abducted on decks of their vehicles, it appears that near Europe soon may be "simulated" the explosion of even a larger type of UFO than the type K6 that was exploded near Tapanui. So we must consider a probability, that it will cause much greater slaughter of humanity than that caused by the UFO explosion near Tapanui in New Zealand.

More information about the course and consequences of this "simulated" UFO explosion near Tapanui, is presented in a separate [monograph \[5/3\]](#) and briefly summarised on the web page named [tapanui.htm](#). In turn a condensed version of this information is also presented in subsection V5.2 from volume 17 of my newest [monograph \[1/5\]](#).

Part #R: The problem of [parasitic imitations of "help" which actually destroy instead of helping:](#)

#R1. It is better to NOT help at all, then in a [parasitic way imitate "helping":](#)

When a destructive catastrophe hits a given community, then all people rush to "help". On the other hand, both this web page, as well as item #B4 of the web page [seismograph.htm](#), indicate unambiguously, that all "catastrophes" in reality are intentionally caused by God just in order to help these communities in ceasing their practices of the [philosophy of parasitism](#). Therefore a "help" of others, in the majority of cases, instead of actually supporting the intentions of God in ceasing to practice parasitism by the community hit by this catastrophe, in reality acts against the intentions of God and pushes this community in even deeper parasitism. In other words, the majority of present forms of "help", instead of helping, in fact destroys. Therefore, if any help is issued to someone treated with a catastrophe, then it is extremely vital that this "help" fulfils a range of

very strict requirements of the [totaliztic help](#) - described in subsection JD11.3 from volume 7 of my newest [monograph \[1/5\]](#). Unfortunately, a decisive majority of "helpers" knows about "helping" approximately the same as typical present mothers - means it considers that e.g. a "help" is to "give" and to "do for someone" which encourage the helped person to lie back and to wait until others do everything for him or her. In the result, instead of really helping, typical present helpers offer a [parasitic](#) imitations of "help" which in reality only destroys more the helped community. Therefore, if we do NOT have a guarantee that the "help" which we are giving to someone just affected by a catastrophe, really fulfils requirements of the "totaliztic help", then it is much better is we do NOT help at all, then if we help in a destructive (i.e. in the [parasitic](#)) manner - as this took place e.g. during the earthquake from Haiti on 13 January 2010 (see the descriptions from item #C3 of the web page [seismograph.htm](#)), or e.g. during the hurricane [Katrina](#).

[#R2. Distinguishing between the parasitic imitation of helping and the real totaliztic help:](#)

The philosophy called [totalizm](#) quite unambiguously defines how we should act in everything that we do in our lives - in this number also (and especially) during providing help to victims of some catastrophe. Namely, **every our action must be so carried out that all people affected by it always are lifted uphill in so-called "moral field" (means that it goes along the so-called "line of highest intellectual resistance"), means that in every person affected by it the amount of so-called "moral energy" is increased.** How exactly we should carry out all our actions so that they fulfil this totaliztic requirement, is comprehensively described in volume 1 of the [monograph \[8/2\]](#). So I am NOT going to repeat this here. Only in order to realise what is the essence of such "totaliztic help", and how it differs from the "parasitic harming under the excuse of helping", I remind here an old Korean proverb which excellently expresses this essence. This proverb states: *"if you give a fish to someone, you will feed him for a day - but if you teach him how to fish then you will feed him for a lifetime"*. In other words, if after a catastrophe someone starts to give away food, tents, clothing, medicines, money, etc., giving them at random to either individual victims, or to local caciques and chieftains, then he or she in fact is carrying out the [parasitic](#) imitation of "helping". After all, in such a case these gifts do NOT get to people who need them the most, but e.g. to the ones who have the most of brut force to get to the top of queue. Also the people who did NOT received such gifts are discriminated in relationship to the ones who appear at the moment of giving and who gets such gifts. Therefore, such a "giving" makes more damage than good. After all, it makes gainers dependable on the giver as well as on the arrival of further help, it promotes uneven treatment and discrimination of some victims, it allows changing of help into a way of benefiting local caciques and

chieftains, it encourages robberies and receiving without putting into any work, it deprives the initiative and own ingenuity in victims of the catastrophe, it chains victims to the area of catastrophe, etc., etc.

#R3. Examples of totaliztic forms of help which we should try to give to victims of catastrophes, and examples of parasitic imitations of "help" the continuation of which we should avoid:

From the general principle of providing totaliztic help described before, stems unambiguously how we should help victims of a catastrophe. And so, it is extremely vital that the giving of help is so organised that every victim of a catastrophe has the same chances to benefit from it. So instead of selectively to individual people, or to local caciques and chieftains, the "totaliztic help" should be directed to the entire community affected by the catastrophe. For example, instead of giving away food to individual people or to local caciques and chieftains, the totaliztic help would organise "kitchens with restaurants" which would issue one-time meals to every hungry person who would come in person. Instead of giving away tents or building houses to individual people - such help would erect kinds of large communal "shelters" in which every homeless could safely shelter (but which would NOT deprive the motivations to rebuild with own hands previous own homes or to go into the world to find new place and to start a new life). Instead of giving away medicines - it would organise "hospitals" in which every sick or injured would be healed. Instead of giving money to local corrupted authorities, the helper would organise on the spot public works towards rebuilding roads, communication facilities, and public transport, so that victims of a catastrophe could find work and fast rebuild their lives. Etc., etc. Interestingly, principles of such "totaliztic help" are thoroughly outlined in the Bible - for example see the biblical recommendation to "feed a hungry" (e.g. see the Biblical "Book of Psalms", 25:21), "heal these sick" (e.g. see "Luke", 10:9), "homeless temporarily shelter" (e.g. see the "Wisdom of Sirach" (Ecclesiasticus), 29:20-21), etc. (Notice, however, that the Bible does NOT commands to give a bag of grain to a hungry, to give medicines and bandages to a sick, or to build a house to a homeless or to give him a pocket of money.) Thus the only difference between recommendations of the Bible and the statements of totalizm about principles of providing help, boils down to the fact that ancient ideas used in the Bible allow to explain "what" but do NOT have yet words required to explain "why". In turn present scientific terminology of totalizm (such as "moral field", "moral energy", or "moral laws") allow already to explain both "what" and "why".

Part #S: Summary and the final word of this web page:

#S1. Summary of this web page: let us reject claims of atheistic science whose immorality brought to us present catastrophes, and let us save ourselves and the humanity through practicing the morally perfecting philosophy of totalizm:

The present atheistic science contradicts the existing evidence, and erroneously claims that God supposedly does NOT exist - e.g. see the article "Atheists claim bias over rejection of 'No God' ads", from page A9 of New Zealand newspaper "The Dominion Post", issue dated on Wednesday, February 24, 2010. Therefore, as the origin of all earthquakes, tsunamis, and other catastrophes, the science indicates random work of nature. Announcing this origin to be random, the science is unable to indicate ways of preventing such cataclysms. Fortunately for us, in 1985 were formulated: a completely new scientific **theory of everything** called the Concept of Dipolar Gravity, and a formal philosophy called totalizm which stems from that theory to implement its findings in the real life. This "theory of everything" uses methods developed by the atheistic science, to prove formally the existence of God, and to indicate countless scientific evidence for the existence of God. Because of this, the theory of everything was also able to indicate for us true reasons for which catastrophes take place on the Earth. These true reasons turned out to be the sliding down of various communities troubled by such catastrophes, into claws of immoral and highly destructive philosophy called parasitism and the need to correct consequences of such sliding. The Concept of Dipolar Gravity indicated also to us numerous attributes of earthquakes, tsunamis, and other disasters, the correctness of which everyone can verify for himself, and which conclusively prove that in fact a reason for all catastrophes is this sliding down into claws of the philosophy of parasitism. To the most important amongst these attributes and proofs, belong amongst others: (1) the fact that earthquakes, tsunamis, and other catastrophes affect exclusively these communities, cities, areas, or institutions, which at the moment of given catastrophes practiced the most advanced version of immoral philosophy of parasitism, called the "agonal state"; (2) the fact that communities, cities, areas, or institutions, which as a whole practice the highly moral philosophy called totalizm are never troubled by catastrophes; (3) the fact that if on a given area lives permanently at least 10 people which fulfil the demanding definition of "righteous" from verse 18:32 of the Biblical "Book of

Genesis", then this area is spared not only from catastrophes, but even from unpleasant for people "weather anomalies"; (4) the fact that God keeps His promise, that every person who in his following the recommendations of the philosophy of totalizm accomplished the fulfilment of the definition of a "righteous", is always either removed from the area of a given catastrophe by some "coincide" just before the catastrophe must to be served in there, or is saved - if that catastrophe manages to affect such a person (for details see item #G3 of this web page).

The above attributes of earthquakes, tsunamis, and other catastrophes, which were disclosed to us only due to findings which stem from the scientific **theory of everything** called the "Concept of Dipolar Gravity", indicate to us simple manners on which each one amongst us, even when acting individually and alone, can prevent being affected by catastrophes, and also can save his close ones and sometimes even the entire community in which he lives permanently. According to these indications of manners, in order to individually prevent catastrophes, it is enough to accomplish the higher level in our practicing the moral philosophy of formal totalizm. (Please notice, that practicing totalizm is NOT the same as practicing a religion, or as just believing in God. As the present world repetitively demonstrates it to us, one can be highly religious and believing in God, but still practices an immoral philosophy of parasitism. We must also remember, that there is a vital reason why God selected high priests to make them to sentence Jesus to death.) In turn, for a whole community to protect itself from being affected by a deadly catastrophe, it is enough that as a whole it becomes a community which practices the philosophy of formal totalizm.

Since over 60 years, the Earth's science increasingly more actively promotes immoral ideas of atheism, thus reinforcing on the Earth the spread of immoral philosophy of parasitism. In the result, it is this science that brought on heads of the humanity the present dark period of immorality, fall-down and stagnation, which in items #14 to #17 of the web page named tapanui.htm is described under the name of "neo-medieval period". Therefore, it is about the time that we cease to support any further these atheistic claims of present science, but start to promote findings of the same scientific, although simultaneously harmonious with God's intentions, **theory of everything** called the Concept of Dipolar Gravity. The reason is that if we do NOT cease to follow the immoral path that is forced upon us by present atheistic science, then soon the "errors and deviations" cumulatively escalated by that science, will lead us to a total catastrophe, means to a "big bang" which is to cause such a massive destruction of the entire humanity, that according to the old Polish prophecy described in item #H1 from the web page named prophecies.htm, after that catastrophe "**a man is going to kiss the ground if he sees on it footprints of another person**".

Of course, God gave to each one of us the so-called "free will", so that each one of us can select own behaviour and fate. Thus everyone has the possibility to select in person, and due to this also to take the personal responsibility for own selection, whether with his passiveness is going to continue his support to the immoral actions of atheistic science which leads us straight to the disaster, or begins to openly implement with own actions the findings of the "Concept of Dipolar Gravity" (thus also the philosophy of "totalizm" that stems from it), which indicates to us the correct path. If one selects the continuation of to-date passive

acceptance of erroneous claims and deviations of atheistic science, then must also accept that immorality, greed, incompetence, injustice, oppression, crime, robberies, tragedies, catastrophes, etc., which we presently see around us, are to only intensify for him. In turn, when he chooses the active implementation of methods of formal totalism, then he has a promise from God, that even if just for him and for his close ones, still the situation is going to change and improve.

#S2. In order to eliminate consequences of destructive philosophy of parasitism and restore good for a longer term, God must act similarly like a dentist - means sometimes heal with a painful catastrophe:

Present human civilisation fell in a frenzy of promoting the philosophy of parasitism. Thus, role models for parasitic behaviours are attacking us practically from all directions. We can see these e.g. in the laziness, dysfunction, and constant arguing of television idols, in immorality, corruption, and arrogance of politicians, in greed of bankers, in ruthless of employers, etc., etc. On the other hand, the parasitism is a fatal moral illness. If anyone once slip into claws of it, he or she is lost forever. How immensely destructive and incurable is this philosophy, illustrate outcomes of research described in the article **[1#S2]** entitled "Detox work of poisonous people" from page C12 of New Zealand newspaper Weekend Herald issue dated on Saturday, April 10, 2010. This article is devoted to the results of American research on people with so-called "toxic personalities" - means personalities which characterise people that slipped down to the lowest stage of the "agonal intellect" in their practicing of the philosophy of parasitism. According to this research, if even a single such a personality takes a key post in a given institution, then is able to completely destroy this institution. Even if he or she does NOT occupy a key position, still is able to cause the decrease of efficiency of labour of the entire institution by around 50%, the escape from that institution of at least 12% of its most moral workers, and a complete poisoning of the atmosphere of work in the entire institution. (From my personal experiences stems, that e.g. governmental institutions are currently literally stuffed with just such people in the deepest stadium of the philosophy of parasitism.) Therefore, this American research recommends, that the higher instance of every institution always carries out interviews with people who are leaving a given institution so that in this way it is discovered from whose fault and reason they are leaving. Such interviews are the best method of detecting who actually is that "toxic personality" (normally such a person is difficult to identify, as he or she perfectly hides behind backs of other people). Then, after detecting who is it, it is vital to immediately get rid of these highly destructive people. Of course, the problem of

people overtaken by the philosophy of parasitism in present times becomes really urgent, thus increasingly more frequent it is subjected to scientific research. Thus, this web page is NOT the only publication on the Earth which tries to warn against the destructive influence of such parasites.

Unfortunately, scientists who research the problem of present saturation of Earthly institutions with destructive people in deepest level of the philosophy of parasitism, do NOT utilise the knowledge which is open for us by the [Concept of Dipolar Gravity](#). Thus results of their research are too fragmented and too concentrated on details, to be able to see also the entire picture. On the other hand, for example, someone's "toxic personality" does NOT come from nothing - but is caused by the "toxic philosophy" (i.e. the [philosophy of parasitism](#)) that such a person practices in the everyday life. Other problem of this research is that it still clearly does NOT explain that such "**toxic personalities**" are **incurable** - so they cannot be changed, and only must be removed, e.g. through an instant "firing" them from a given institution. (God has for them even more drastic treatment foretold e.g. in the Biblical "Wisdom of Sirach" (Ecclesiasticus) 26:28, quote "he who from justice goes to sin, God designates to the sword" - what perfectly is illustrated by examples from real life indicated by the content of this web page.) Furthermore, present scientists so-far do NOT have even a permanent name for these individuals. For example, the scientist on the basis of whose research the article [1#S2] was written, calls such people the "toxic personalities". In turn the scientist on the basis of whose research was written a different article [2#S2] which treats about the same highly destructive individuals, entitled "Workers' health in danger from corporate psychopaths", from page A2 of newspaper [The New Zealand Herald](#) (issue dated on Wednesday, September 23, 2009) calls them "corporate psychopaths". But in spite of these, and numerous others, imperfections of scientific research on people overtaken by the philosophy of parasitism, the highly encouraging fact is that such research are carried out at all. In this way our knowledge on the subject of these "human parasites" begins to gradually increase.

From my research described in item #C4 of the web page [parasitism.htm](#) and in subsection OA6.2 of my newest [monograph \[1/5\]](#), stems that if in democratically governed institutions as much as 30% of the management or 30% of workers begins to practice the philosophy of parasitism, then the entire institution becomes a parasitic institution. Similarly happens with entire communities, cities, and countries - as this can be seen today in Zimbabwe while in past we saw in the Hitler's Germany. Because after it becomes an incurable parasitic community, city, or country, the situation cannot be reversed and repaired, the only solution which remains to God is to treat it with some kind of catastrophe which is to kill the significant percentage of key parasites and thus opens the possibility of renewal that leads to the restoration of [totalizm](#) - as this is explained in item #B4 of the web page [seismograph.htm](#).

#S3. The final word:

Truth sometimes is difficult to be digested, and for many people very

inconvenient. This is why many people prefer to hear "nicely sounding untruth" than real truth. But in order a real progress could happen in our awareness, it is necessary we accept truth and see the universe as it really is.

Part #T: Final information of this web page:

#T1. General information about this page:

While reading the information about "simulations" of evil activities of UFO-nauts on the Earth, which is presented on this web page, most probably the fact hits our eyes, that from our success in dissemination of this knowledge may depend the very survival and further development of present version of the humanity. Therefore I am appealing here to readers of this web page - please, let us give a chance to the humanity. Let us also give a chance to ourselves. In turn, this chance can be given if we contribute our personal effort into the awakening of people from the present trance that blinds their eyes.

#T2. How with the web page named "[skorowidz links.htm](#)" one can find totaliztic descriptions of topics in which he is interested:

A whole array of topics equally interesting as these from the above web page, is also discussed from the angle that is unique to the philosophy of totalizm. All these related topics can be found and identified with the use of [content index](#) prepared especially to make easier finding these web pages and topics. The name "index" means a list of "key words" usually provided at the end of textbooks, which allows to find fast the description or the topic in which we are interested. My web pages also has such a content "index" - only that it is additionally supplied in green [links](#) which after "clicking" at them with a mouse immediately open the web page with the topic that interest the reader. This content "index" is provided on the web page named [skorowidz links.htm](#). It can be called from the "organising" part of "Menu 1" of every totaliztic web page. I would recommend to look at it and to begin using it systematically - after all it brings closer hundreds of totaliztic topics which can be of interest to everyone.

#T3. Emails to the author of this web page:

Current email addresses to the author of this web page, i.e. officially to Dr Eng. Jan Pajak while courteously to **Prof. Dr Eng. Jan Pajak**, at which readers can post possible comments, opinions, descriptions, or information which in their opinion I should learn, are provided on the web page named pajak_jan_uk.htm (for its version in the HTML language), or the web page named pajak_jan_uk.pdf (for the version of the web page "pajak_jan_uk.pdf" in safe PDF format - which safe PDF versions of further web pages by the author can also be downloaded via links from item #B1 of the web page named text 11.htm).

The author's right for the use of **courteous** title of "Professor" stems from the custom that "with professors is like with generals", namely **when someone is once a professor, than he or she courteously remains a professor forever**. In turn the author of this web page was a professor at 4 different universities, i.e. at 3 of them, from 1 September 1992 until 31 October 1998, as an "Associate Professor" from English-based educational system, while on one university as a (Full) "Professor" (since 1 March 2007 till 31 December 2007 - means at the last place of employment in his professional life).

However, please notice that because of my rather chronic lack of time, I **reluctantly reply to emails which contain JUST time consuming requests**, while simultaneously they document a complete ignorance of their author in the topic area which I am researching.

#T4. A copy of this web page is also disseminated as a brochure from series [11] in the safe format "PDF":

This web page is also available in the form of a brochure marked [11], which is prepared in "PDF" ("Portable Document Format") - currently considered to be the most safe amongst all internet formats, as normally viruses cannot cling to PDF. This clear brochure is ready both, for printing, as well as for reading from a computer screen. It also has all its green links still active. Thus, if it is read from the computer screen connected to internet, then after clicking onto these green links, the linked web pages and illustrations will open. Unfortunately, because the volume of it is around a double of the volume of web page which this brochure publishes, the memory limitations on a significant number of free servers which I use, do NOT allow to offer it from them (so if it does NOT download from this address, because it is NOT available on this server, then you should click onto any other address from Menu 3, and then check whether in there it is available). In order to open this brochure (and/or download it to own computer), it suffices to either click on the following green link

[day26.pdf](#)

or to open from any totaliztic web site the PDF file named as in the above green link.

If the reader wishes to check, whether some other totaliztic web page which he or she just is studying, is also available in the form of such PDF brochure, then should check whether it is listed amongst links from "part #B" of the web page named [text 11.htm](#). This is because links from there indicate all totaliztic web pages, which are already published as such brochures from series [11] in PDF format. I wish you a fruitful reading!

#T5. Copyrights © 2013 by Dr Jan Pajak:

Copyrights © 2013 by Dr Jan Pajak. All rights reserved. This web page is a report from outcomes of research of the author - only that is written in a popular language (so that it can be understood by readers with non-scientific orientation). Ideas presented on this web page (and also in other publications by the author) are unique for the author's research, and thus from the same angle these ideas were NOT presented by any other researcher. As such, this web page presents ideas which are the intellectual property of the author. Therefore, the content of this web page is the subject to the same laws of intellectual ownership as every other scientific publication. Especially the author reserves for himself the credit-rights for the scientific discoveries and inventions described on this web page. Therefore, the author reserves that during repeating any idea presented on this web page (i.e. any theory, principle, deduction, interpretation, device, evidence, proof, etc.), the repeating person gives a full credit to the author of this web page, through clearly explaining that the author of a given idea is Dr Jan Pajak, through indicating the internet address of this web page under which this idea was published, and through mentioning the date of most recent update of this web page (i.e. the date indicated below).

* * *

**Jeśli preferujesz czytanie po polsku,
kliknij na polską flagę**
(if you prefer to read in Polish
click on the Polish flag)



Date of launching this web page: 5 January 2005
Date of the most recent update of this web page: 11 May 2013
(Check in "Menu 3" whether there is even a more recent update!)

[counter](#)